



US00D701700S

(12) **United States Design Patent**
Abdi et al.

(10) **Patent No.:** **US D701,700 S**

(45) **Date of Patent:** **** Apr. 1, 2014**

(54) **CONTAINER LID**

(75) Inventors: **Abraham Abdi**, Newport Coast, CA (US); **Katina C. Brown**, Lake Elsinore, CA (US); **Sadollah Vahidy**, Riverside, CA (US); **Robert J. Schaefer**, Hemet, CA (US)

(73) Assignee: **Merrick Engineering, Inc.**, Corona, CA (US)

(**) Term: **14 Years**

(21) Appl. No.: **29/424,619**

(22) Filed: **Jun. 13, 2012**

(51) **LOC (10) Cl.** **03-01**

(52) **U.S. Cl.**
USPC **D3/318**

(58) **Field of Classification Search**
USPC D3/318; D7/608; D32/54, 11; 222/480
See application file for complete search history.

(56) **References Cited**

U.S. PATENT DOCUMENTS

520,505 A	5/1894	Upton	
621,559 A	3/1899	Ebert	
950,844 A	3/1910	Dolan	
1,080,551 A	12/1913	Hartwell	
1,448,316 A	12/1920	Shackitt	
1,408,387 A	2/1922	Nochols et al.	
2,242,421 A	5/1941	Dodge	
4,143,695 A	3/1979	Hoehn	
4,369,901 A	1/1983	Hidding	
4,723,693 A	2/1988	DeCoster	
D351,704 S *	10/1994	Breen	D34/11
D381,162 S *	7/1997	Berend et al.	D34/11

5,971,231 A	10/1999	Samz et al.	
D419,829 S *	2/2000	Wilson et al.	D7/629
D439,022 S *	3/2001	Brandeis	D32/53
D634,908 S *	3/2011	Lortscher	D32/54
D649,726 S *	11/2011	Manuel	D32/53
2006/0124643 A1	6/2006	Markert et al.	
2008/0190951 A1	8/2008	Gallagher	

OTHER PUBLICATIONS

Translucent Plastic Round Tubs, at least as early as Jun. 12, 2011.
3.5 Gallon EZ Store Buckets, dated Dec. 22, 2010.
Pailking, 3 pages, dated Jul. 22, 2011.
PailKing, 2 pages, dated Jun. 13, 2010.

* cited by examiner

Primary Examiner — Holly Baynham

(74) *Attorney, Agent, or Firm* — Knobbe, Martens, Olson & Bear LLP

(57) **CLAIM**

The ornamental design for a container lid, as shown and described.

DESCRIPTION

FIG. 1 is a top perspective view of a container lid showing the new design;

FIG. 2 is a bottom perspective view thereof;

FIG. 3 is a right-side view thereof;

FIG. 4 is a left-side view thereof;

FIG. 5 is a front view thereof;

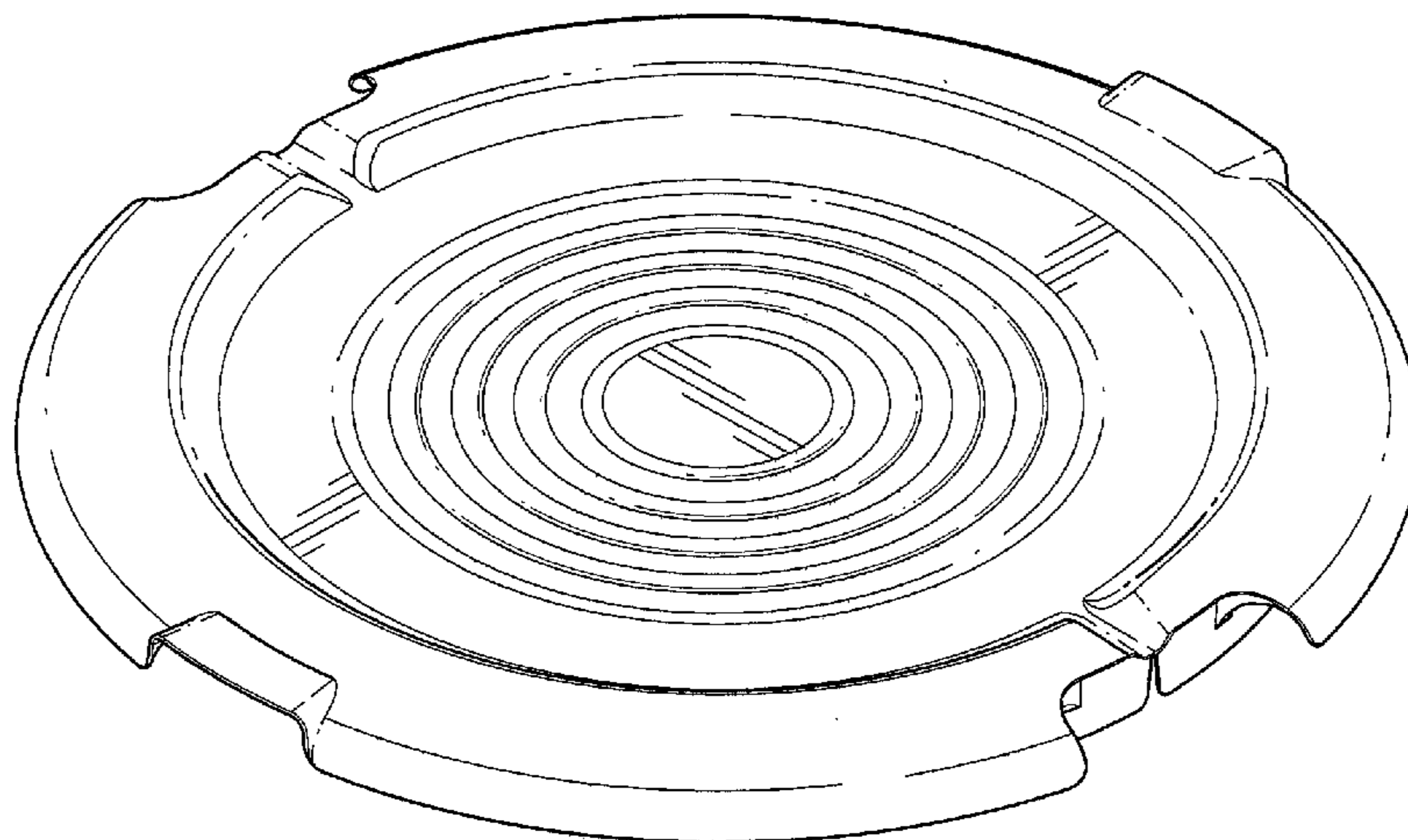
FIG. 6 is a back view thereof;

FIG. 7 is a top view thereof; and,

FIG. 8 is a bottom view thereof.

The portions shown in broken lines provide context only and do not limit the claim and should not be considered part of the claimed design.

1 Claim, 6 Drawing Sheets



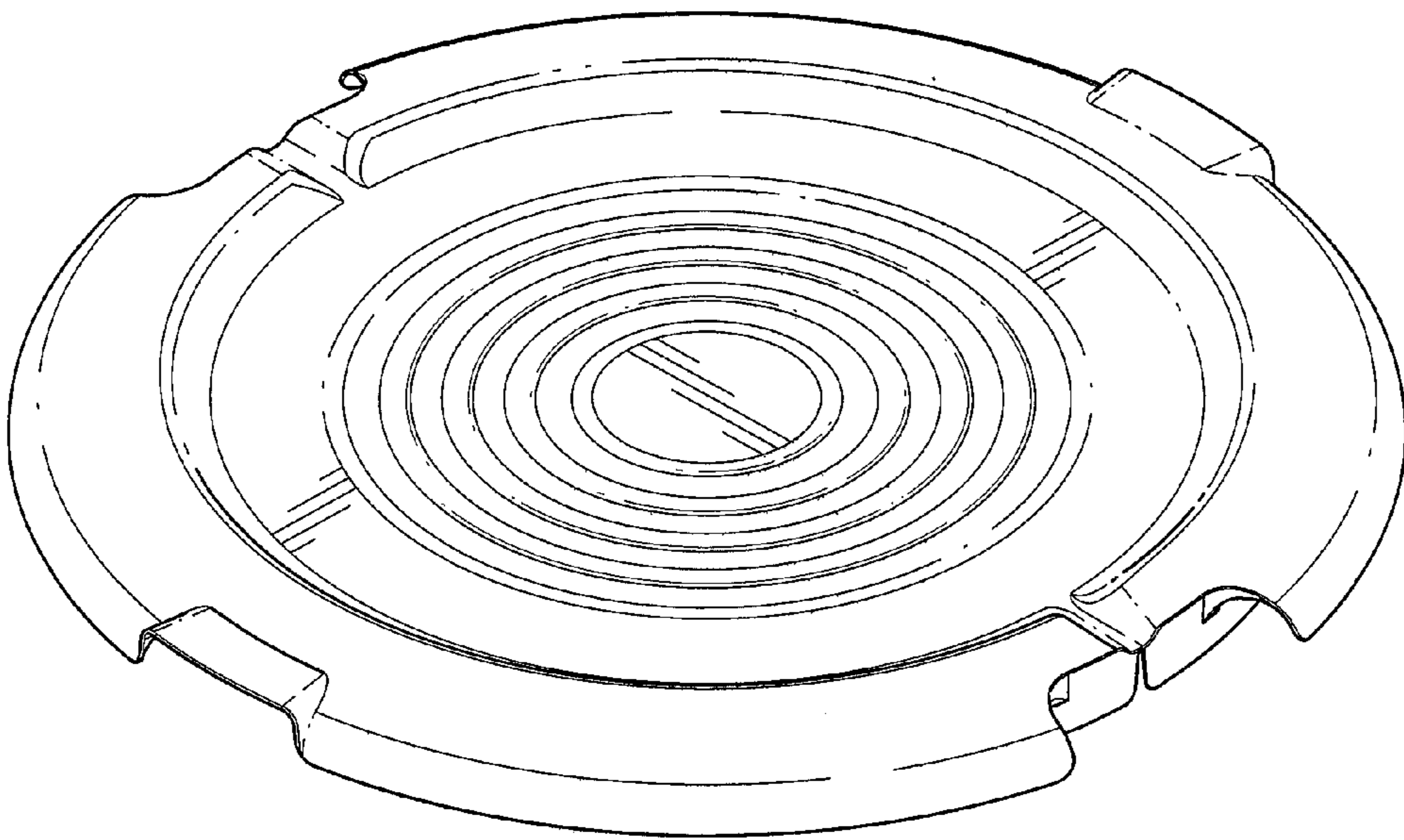


FIG. 1

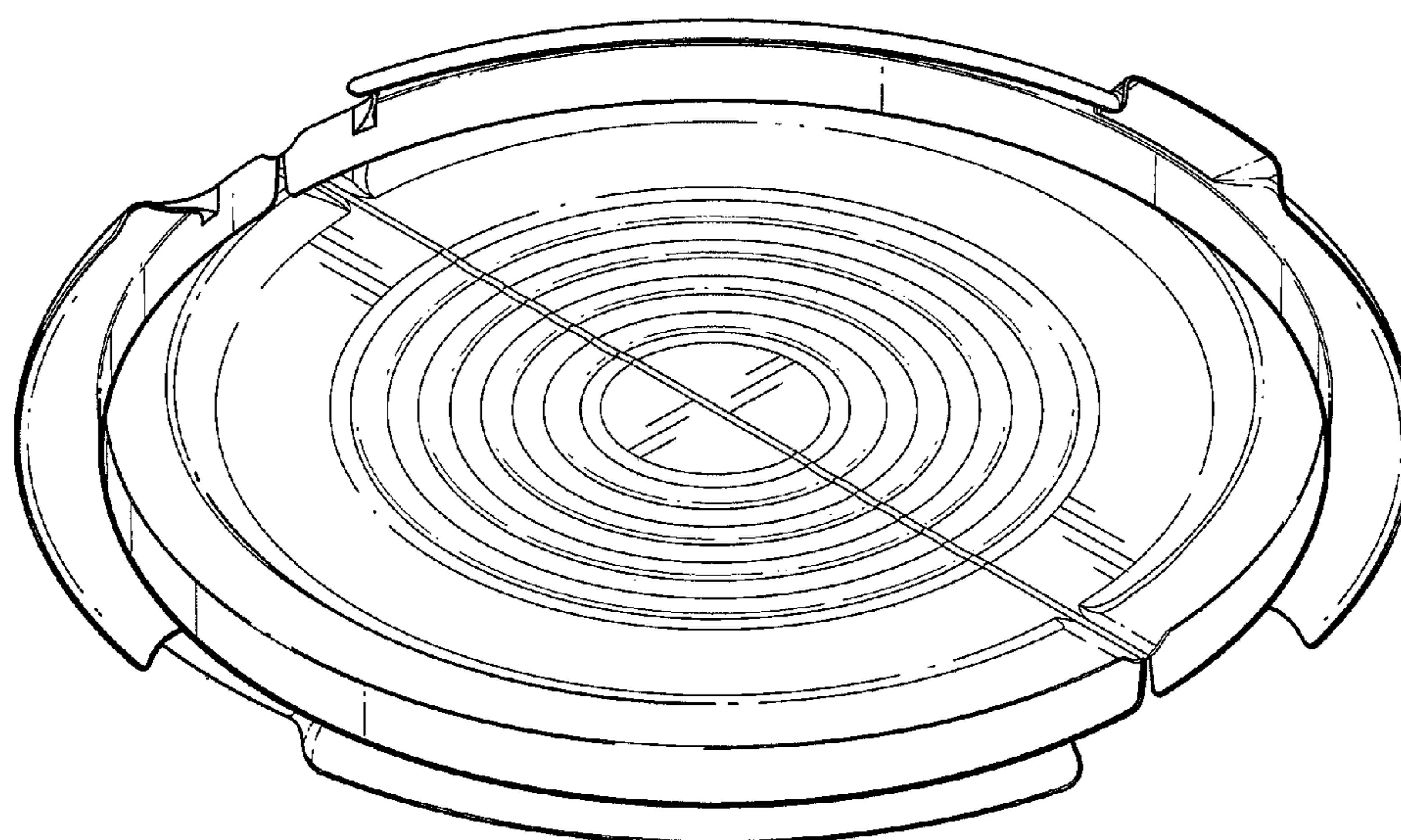


FIG. 2



FIG. 3



FIG. 4

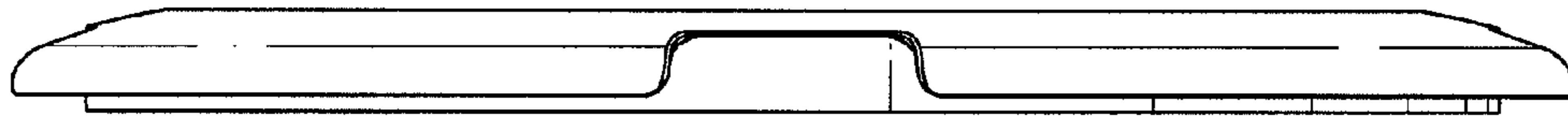


FIG. 5

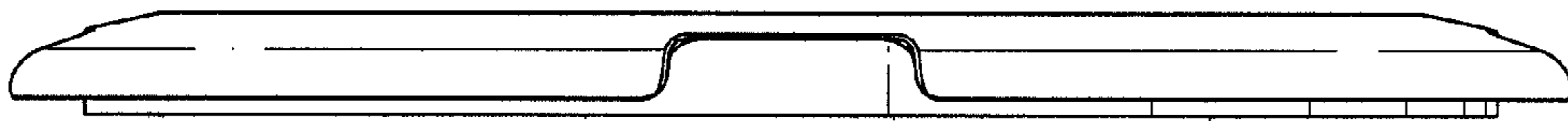


FIG. 6

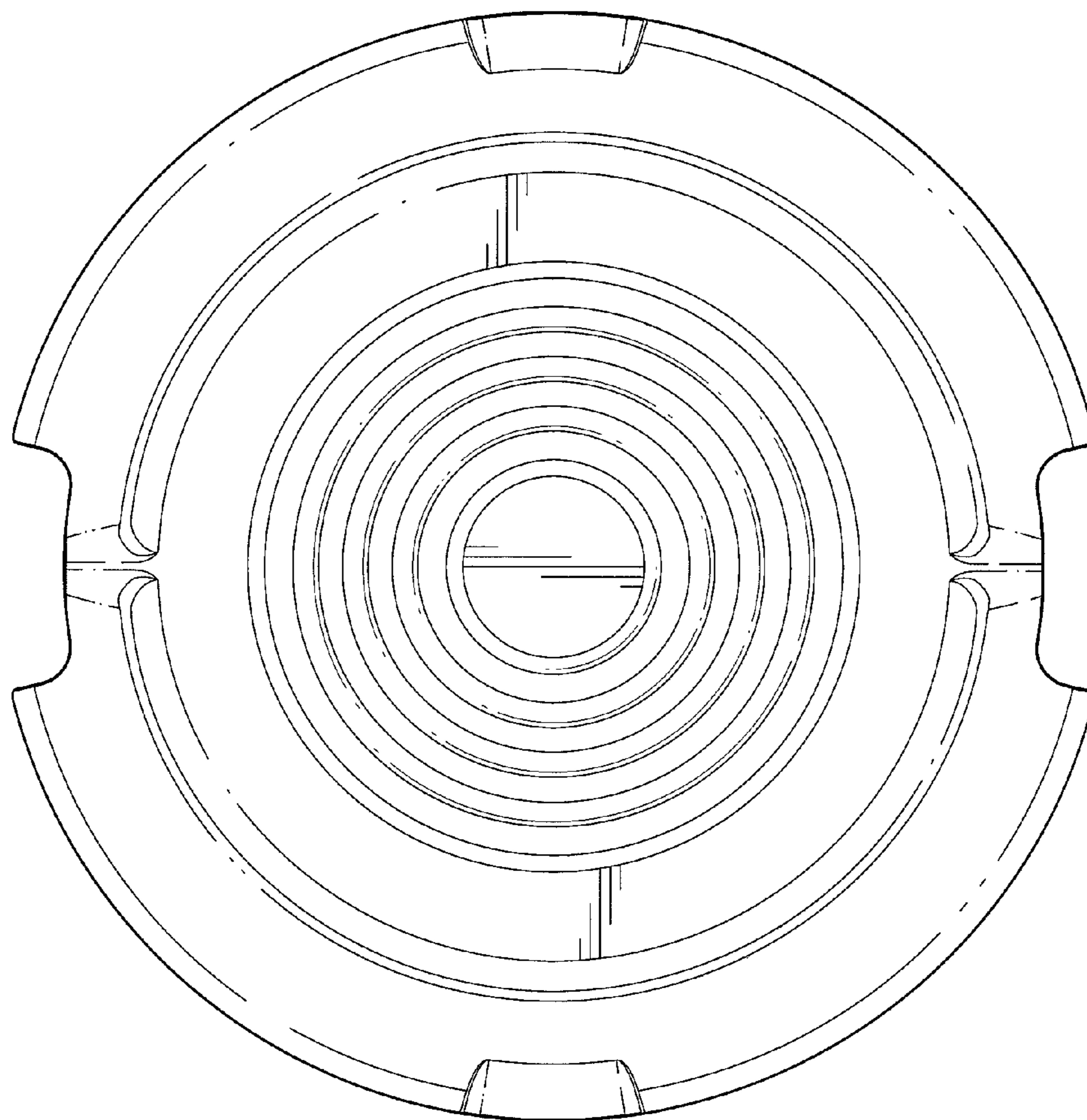


FIG. 7

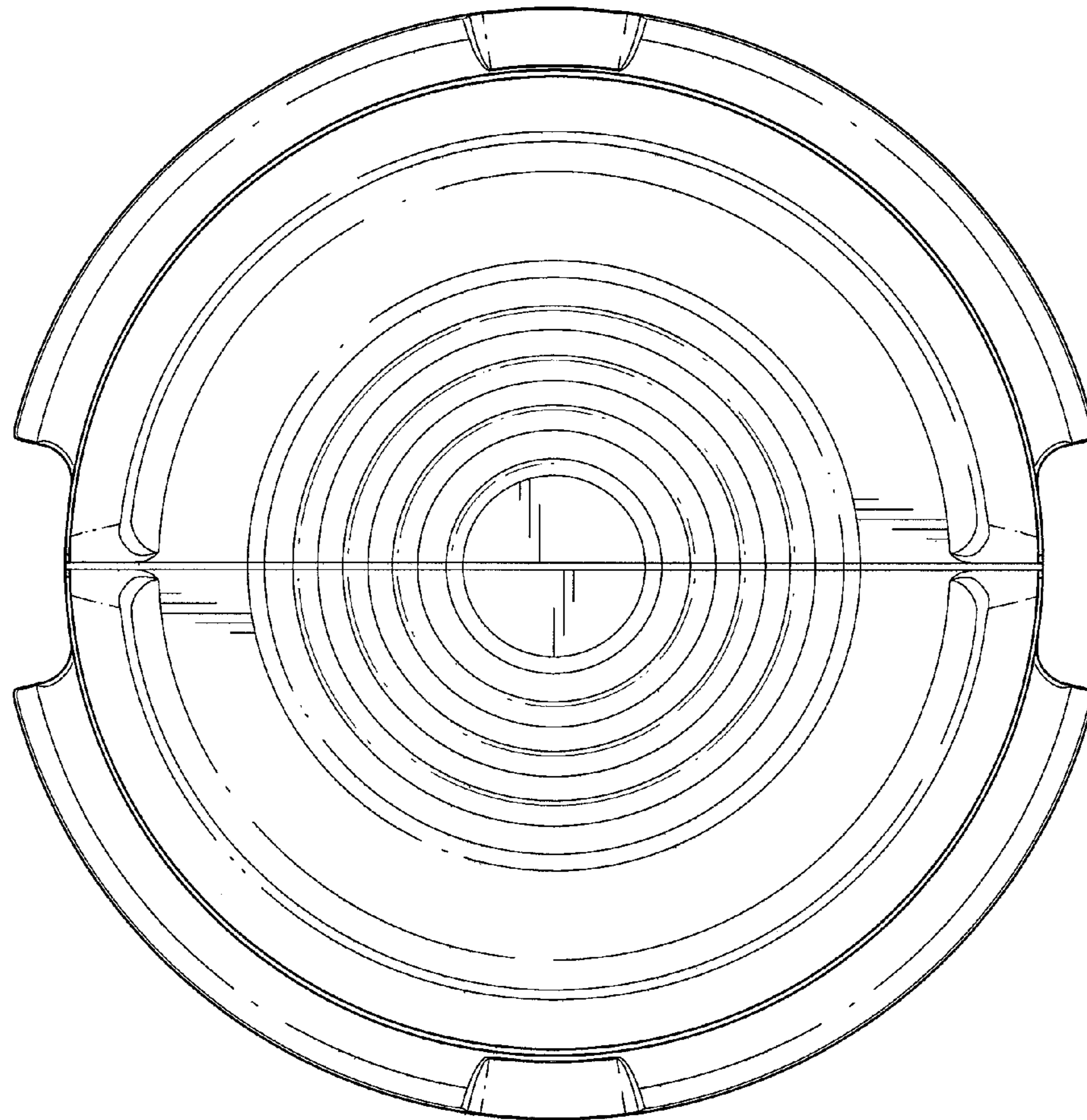


FIG. 8