



US00D701697S

(12) **United States Design Patent**  
**Sabbag et al.**

(10) **Patent No.:** **US D701,697 S**  
(45) **Date of Patent:** **\*\* Apr. 1, 2014**

(54) **TOOL BOX**

(71) Applicant: **The Stanley Works Israel Ltd.**, Rosh Ha' Ayin (IL)

(72) Inventors: **Yosi Sabbag**, Holon (IL); **Elad Shitrit**, Tel Aviv (IL)

(73) Assignee: **The Stanley Works Israel, Ltd.** (IL)

(\*\*) Term: **14 Years**

(21) Appl. No.: **29/438,953**

(22) Filed: **Dec. 5, 2012**

(30) **Foreign Application Priority Data**

Jun. 7, 2012 (EM) ..... 001329635

(51) **LOC (10) Cl.** ..... **03-01**

(52) **U.S. Cl.**  
USPC ..... **D3/281**; D3/283; D3/905

(58) **Field of Classification Search**  
USPC ..... D3/273, 276, 281, 282, 283-286, 297,  
D3/905; 220/523, 524, 527, 4.27; 206/349,  
206/372-379; 280/47.19, 47.26  
See application file for complete search history.

(56) **References Cited**

**U.S. PATENT DOCUMENTS**

D493,034 S \* 7/2004 Bar-Erez ..... D3/295  
D511,632 S \* 11/2005 Lown ..... D6/440  
D517,805 S \* 3/2006 Hosking ..... D3/295  
D600,912 S \* 9/2009 Brunner ..... D3/291  
D649,350 S \* 11/2011 Shitrit ..... D3/281  
D661,858 S \* 6/2012 Lifshitz et al. .... D34/25  
D668,048 S \* 10/2012 Vilkomirski et al. .... D3/281

D674,605 S \* 1/2013 Vilkomirski et al. .... D3/281  
2011/0181008 A1 \* 7/2011 Bensman et al. .... 280/47.26  
2012/0168444 A1 \* 7/2012 Shitrit et al. .... 220/324

\* cited by examiner

*Primary Examiner* — Jennifer Rivard

(74) *Attorney, Agent, or Firm* — Bruce S. Shapiro; John Yun; Stephen R. Valancius

(57) **CLAIM**

The ornamental design for a tool box, as shown and described.

**DESCRIPTION**

Embodiment 1

FIG. 1 is a right front perspective view of our new design.

FIG. 2 is a front view thereof.

FIG. 3 is a rear view thereof.

FIG. 4 is a left side view thereof.

FIG. 5 is a right side view thereof.

FIG. 6 is a top view thereof.

FIG. 7 is a bottom view thereof.

Embodiment 2

FIG. 8 is a right front perspective view.

FIG. 9 is a front view thereof.

FIG. 10 is a rear view thereof.

FIG. 11 is a left side view thereof.

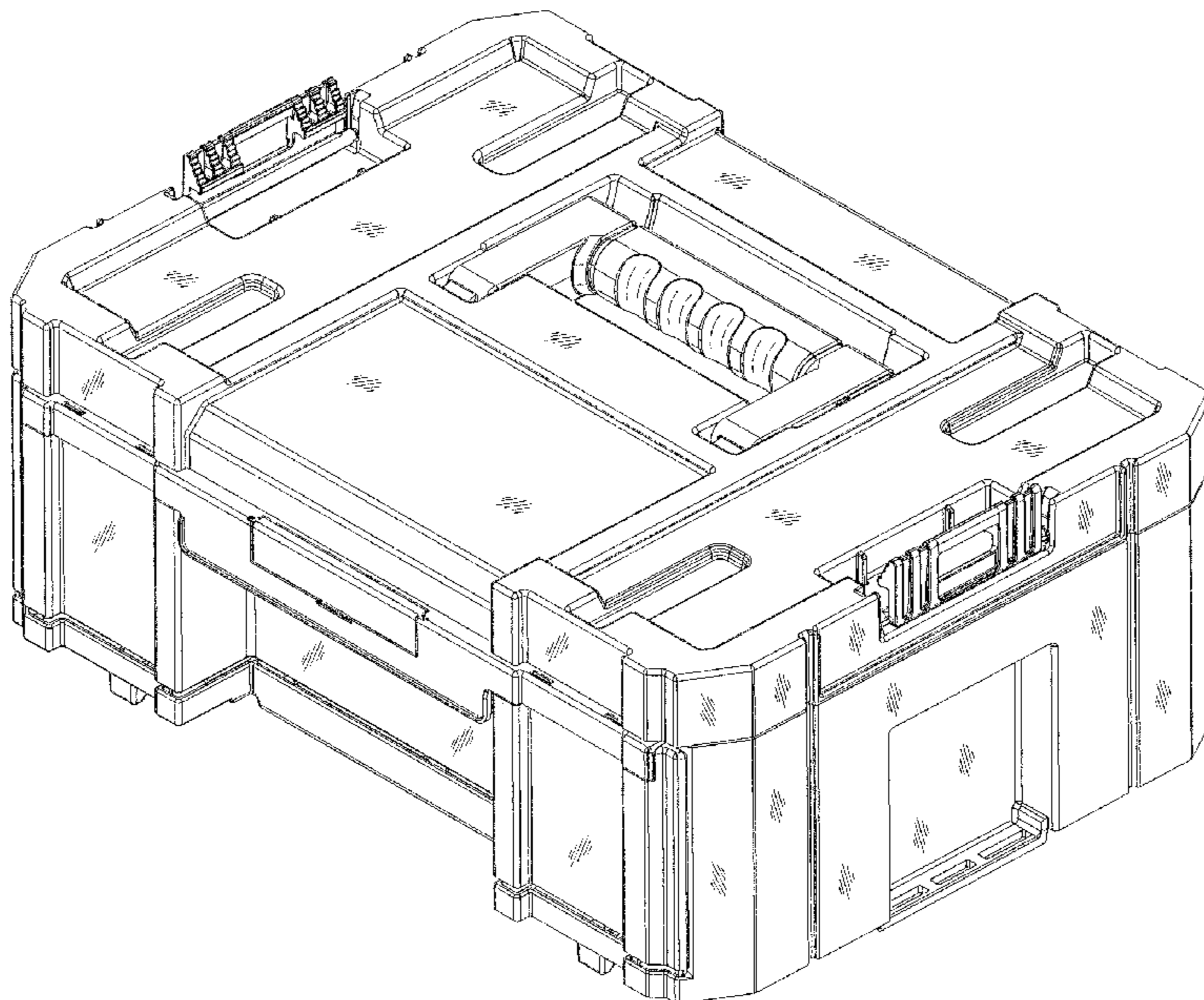
FIG. 12 is a right side view thereof.

FIG. 13 is a top view thereof; and,

FIG. 14 is a bottom view thereof.

The broken lines shown in the drawings illustrate portions of the underside of the handle and elements of the tool box to which the handle is latched and form no part of the claimed design.

**1 Claim, 14 Drawing Sheets**



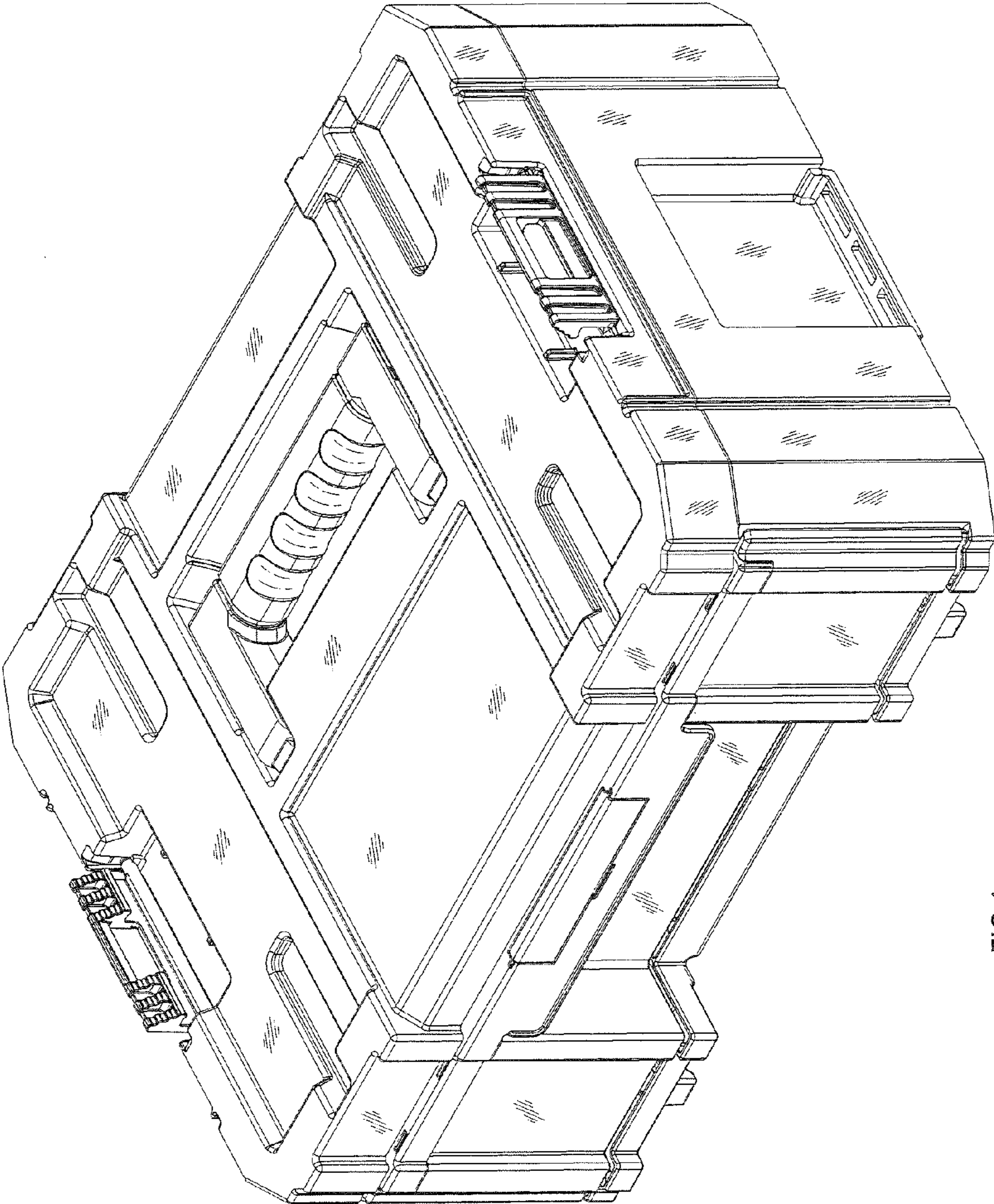


FIG.1

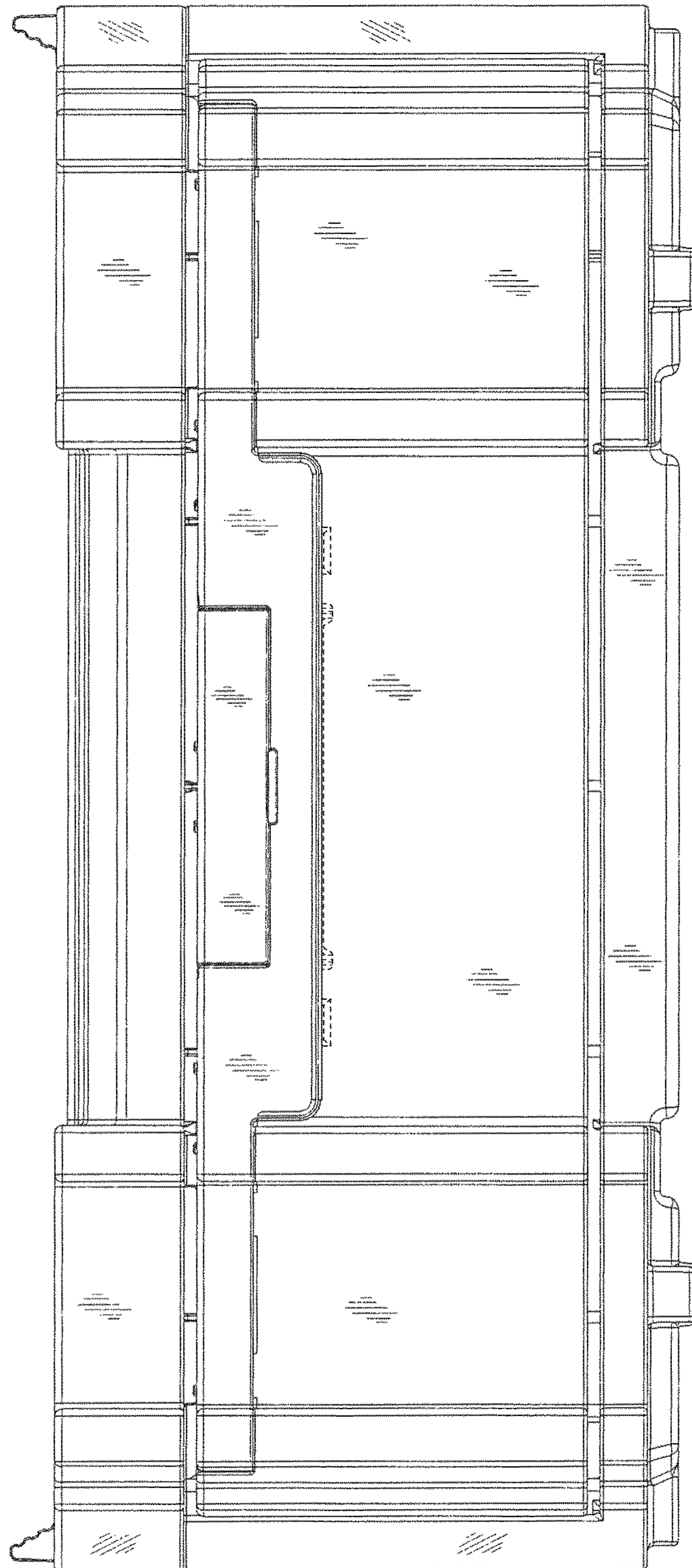


FIG.2

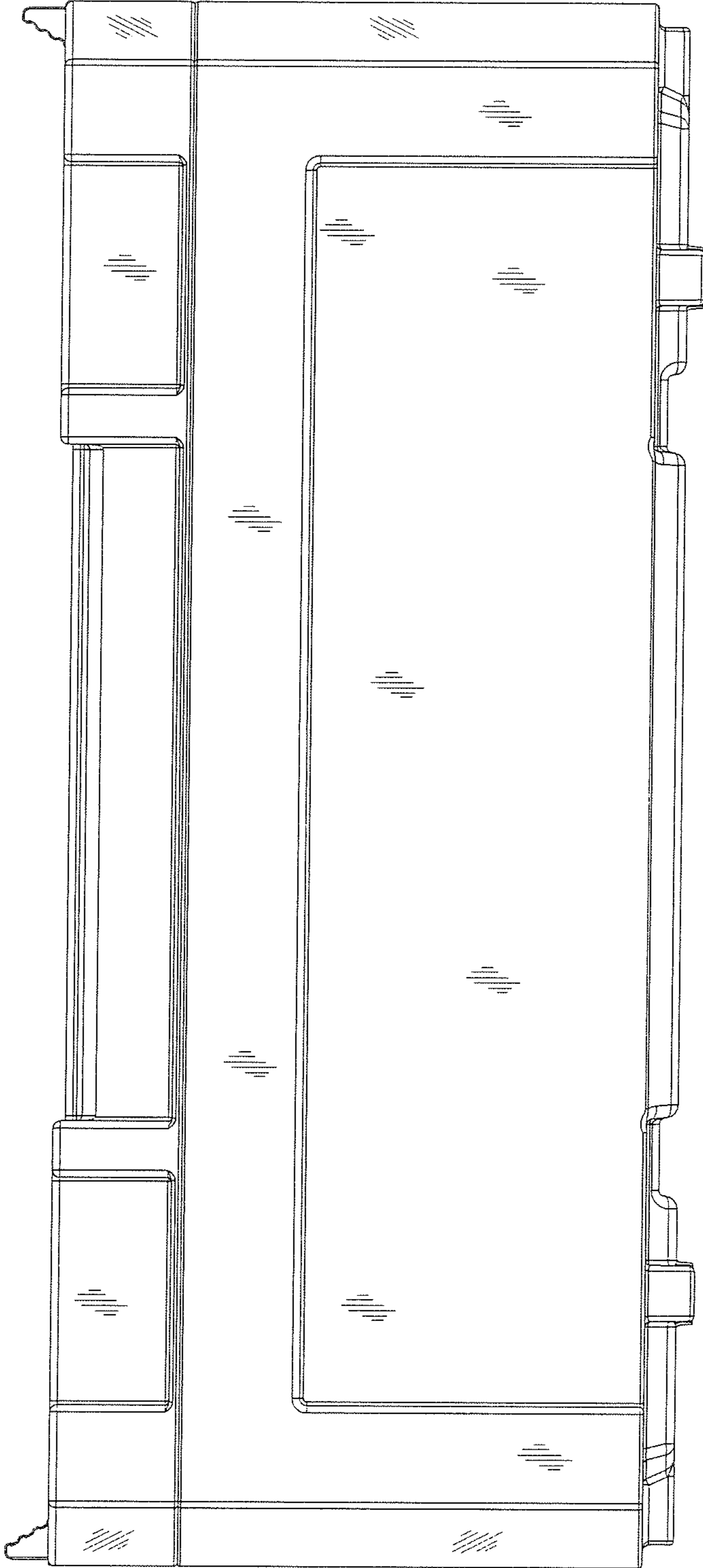


FIG.3

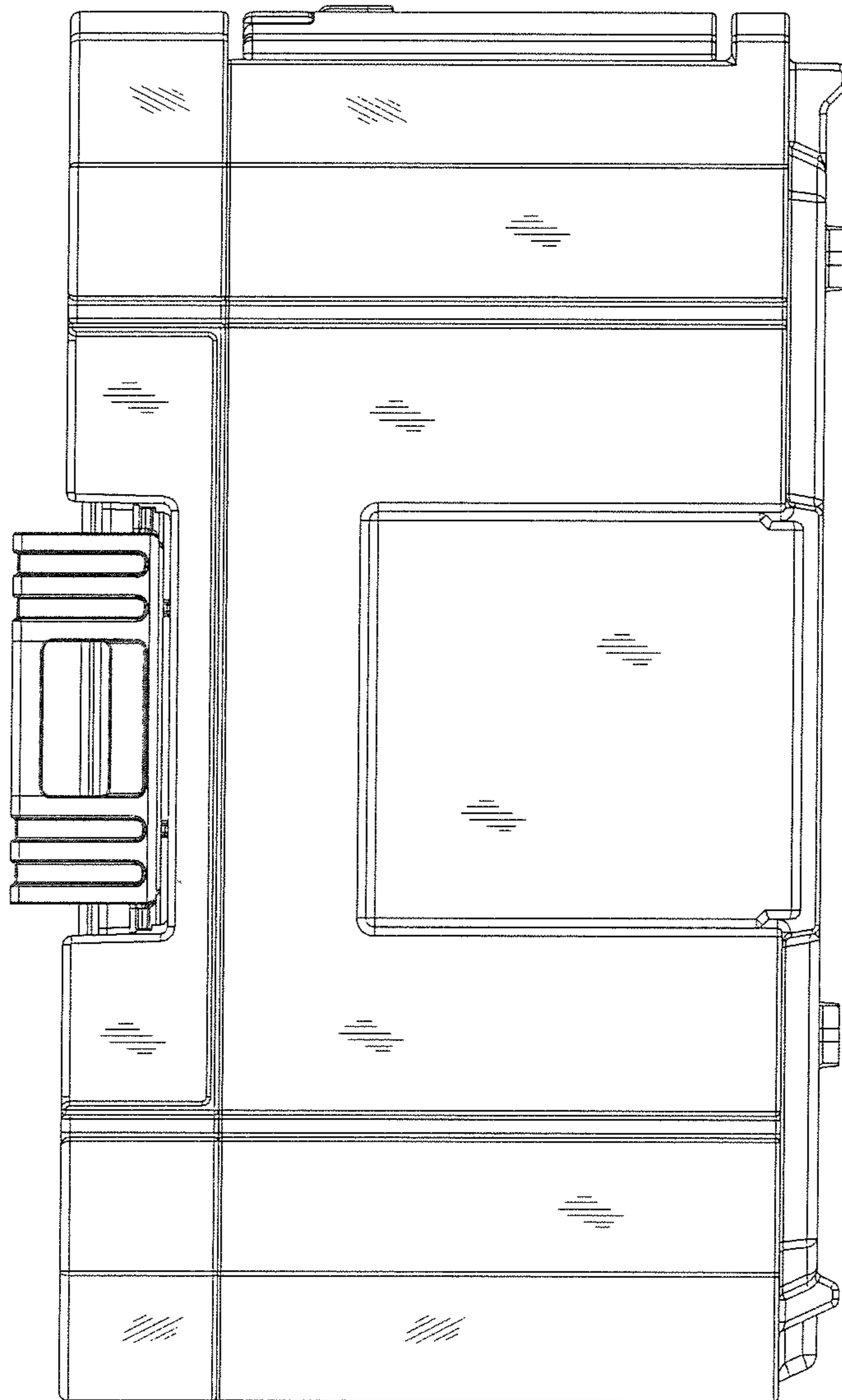


FIG.4

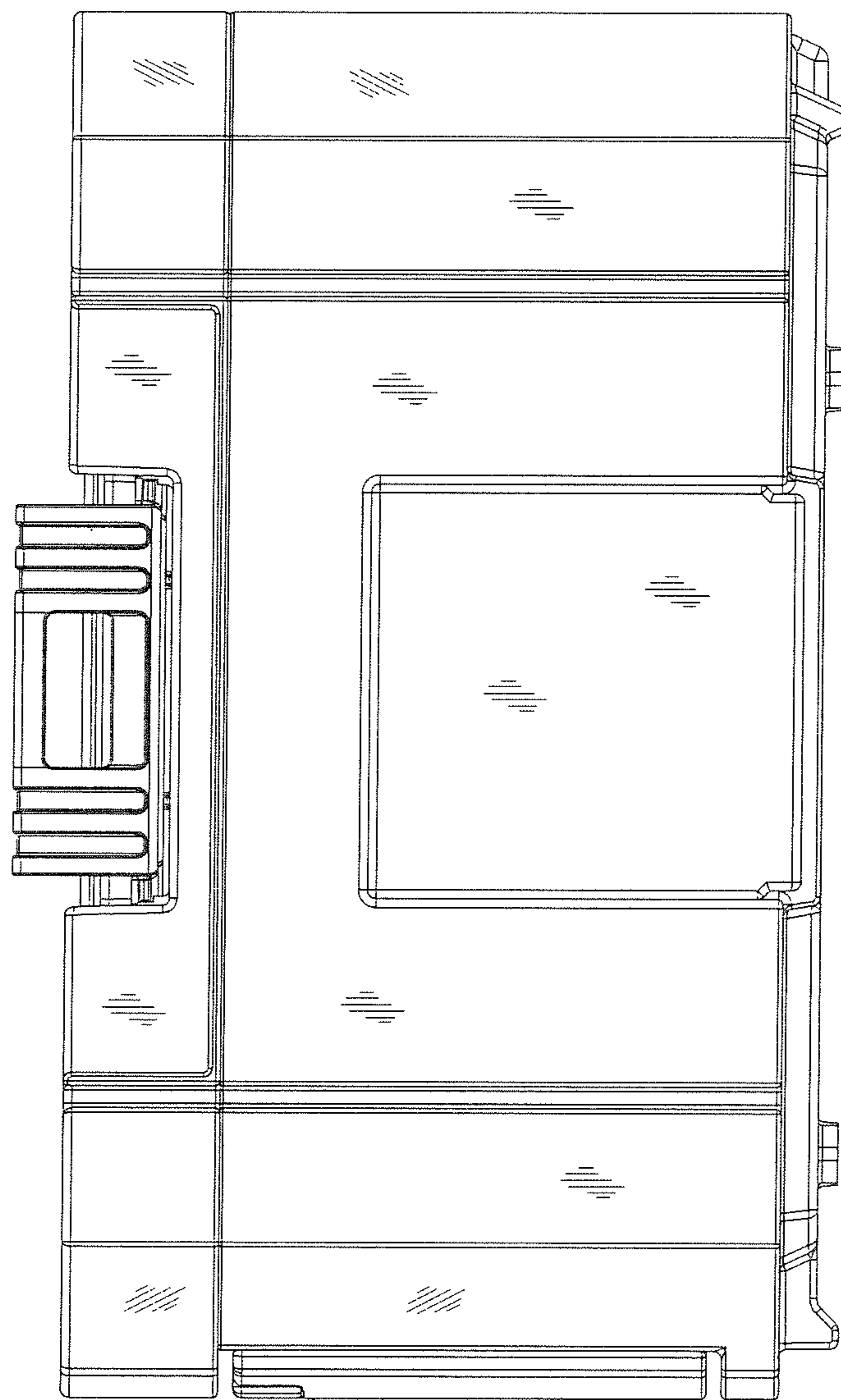


FIG.5

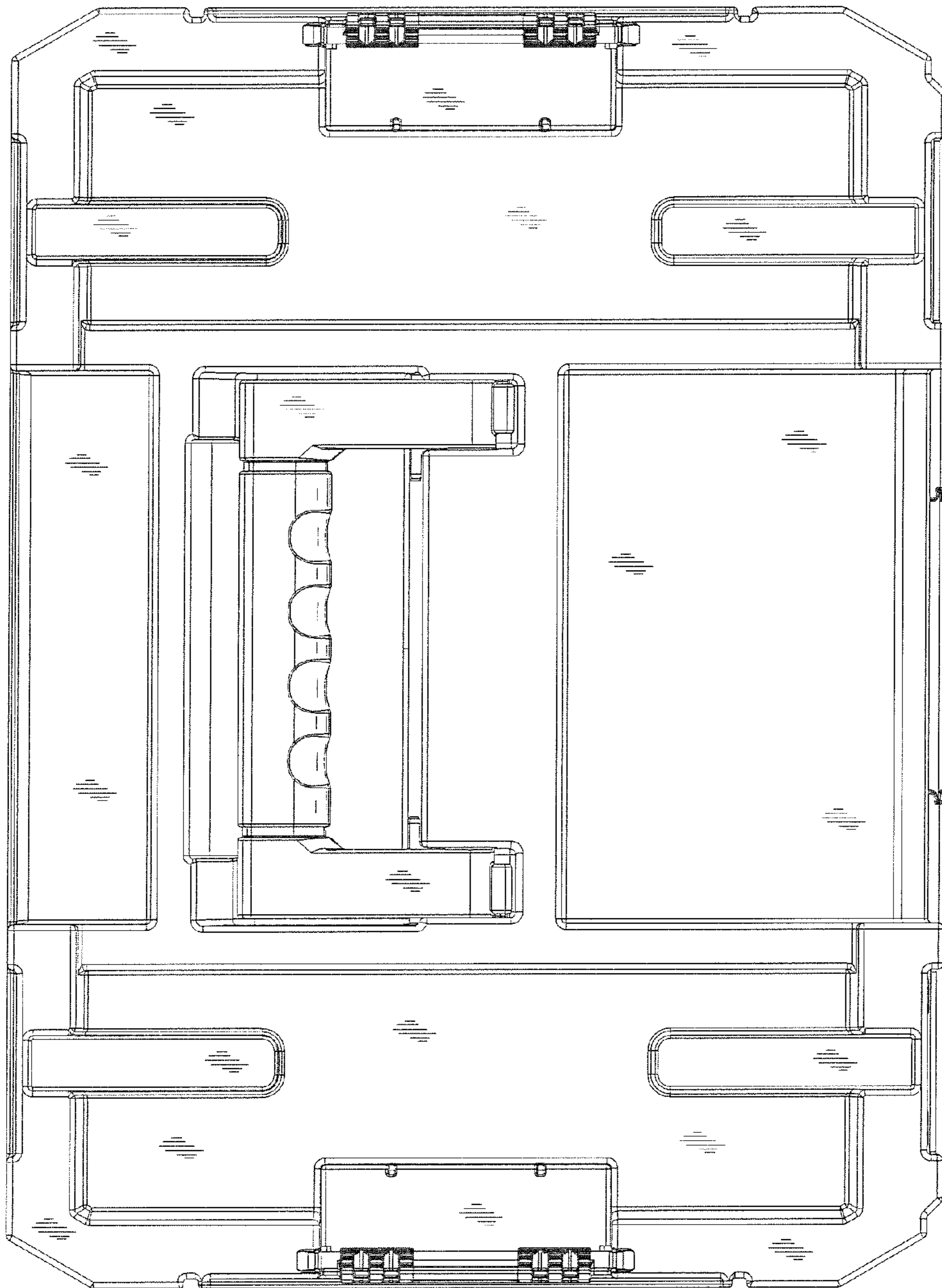


FIG.6

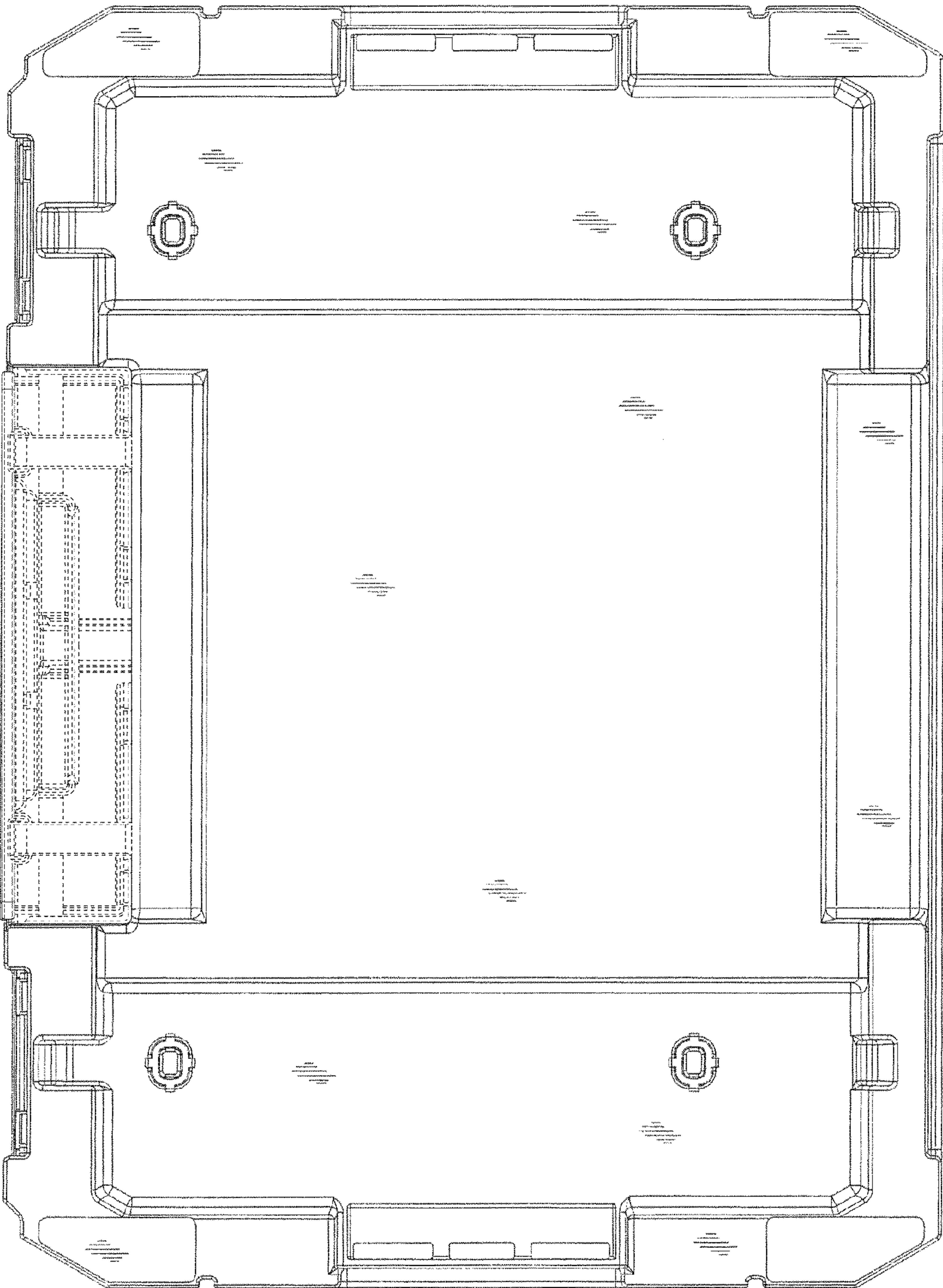


FIG.7



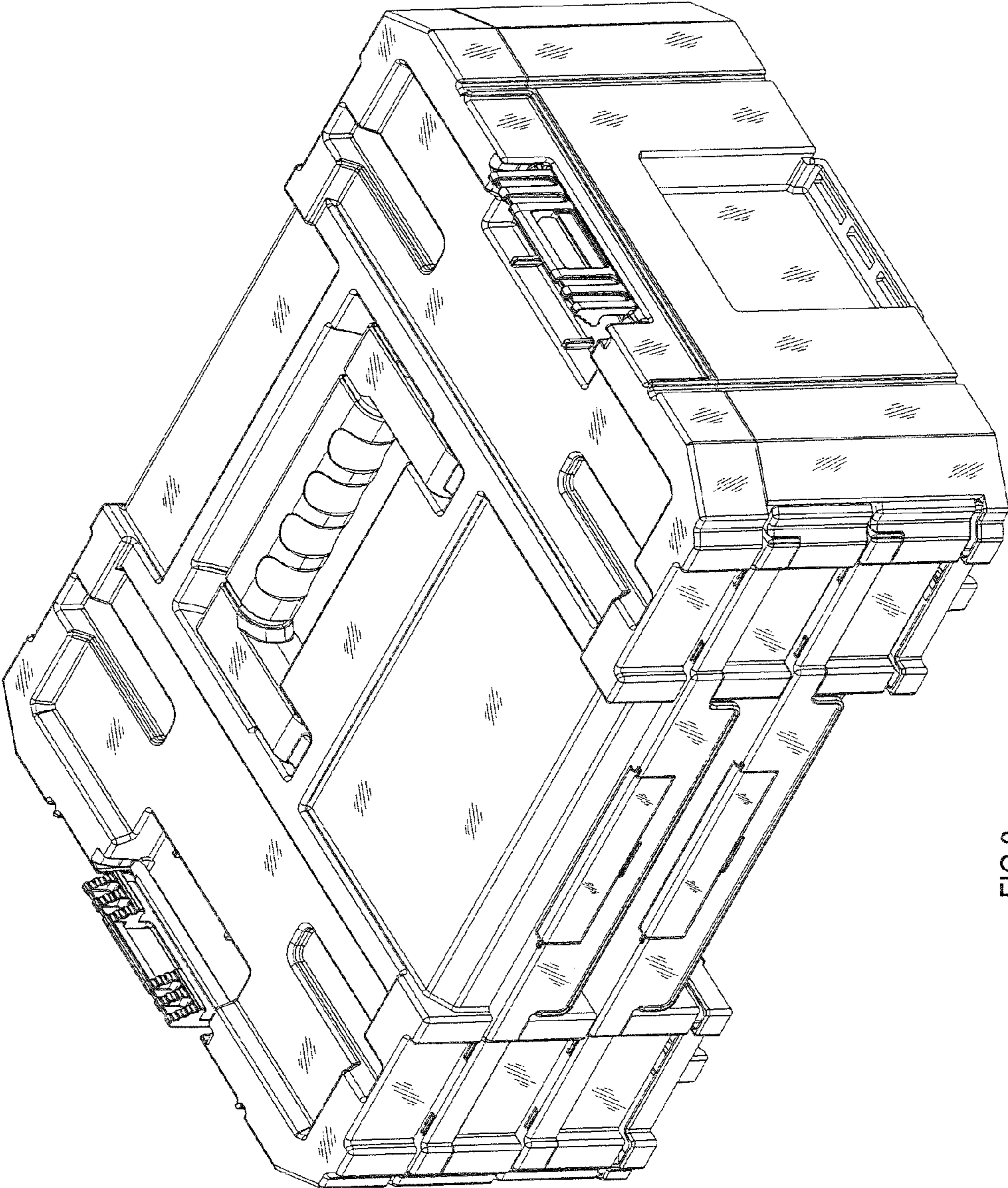


FIG.8

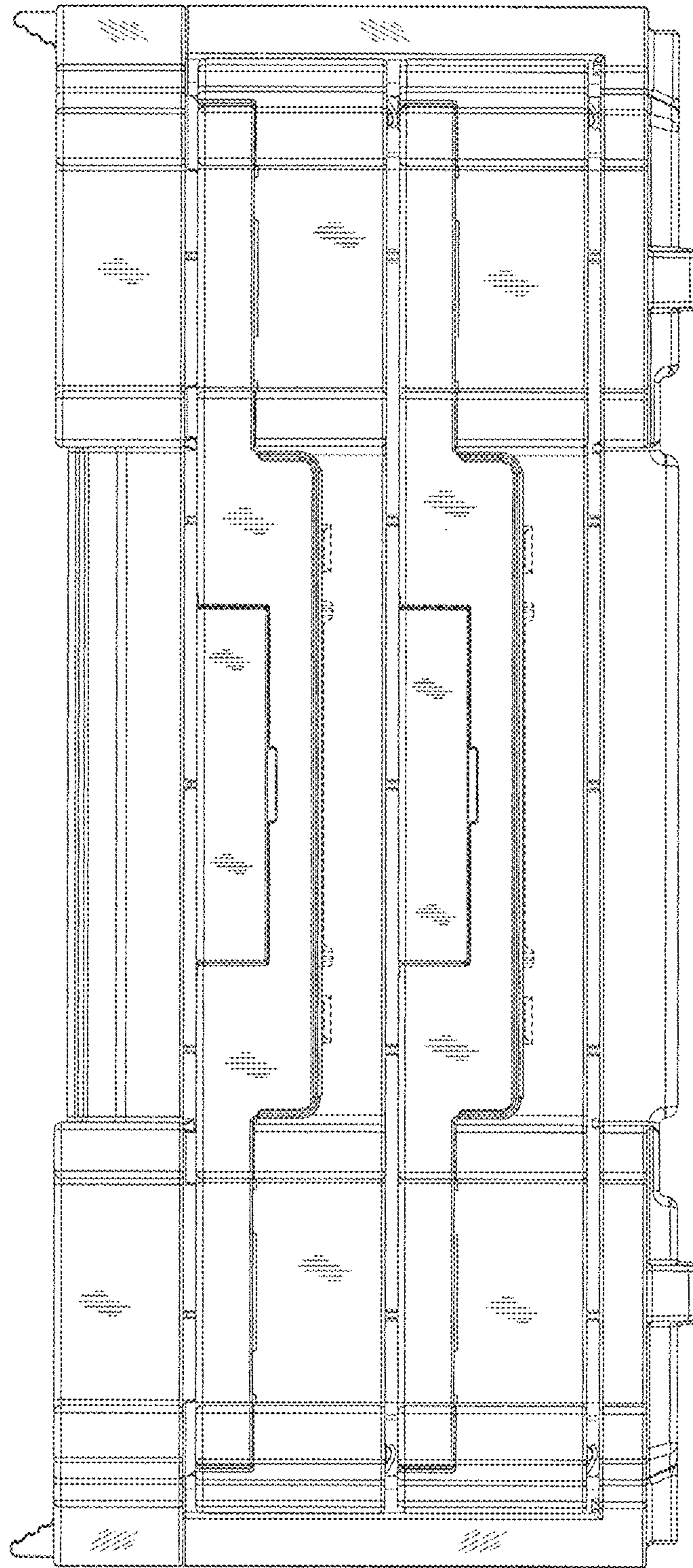


FIG. 9

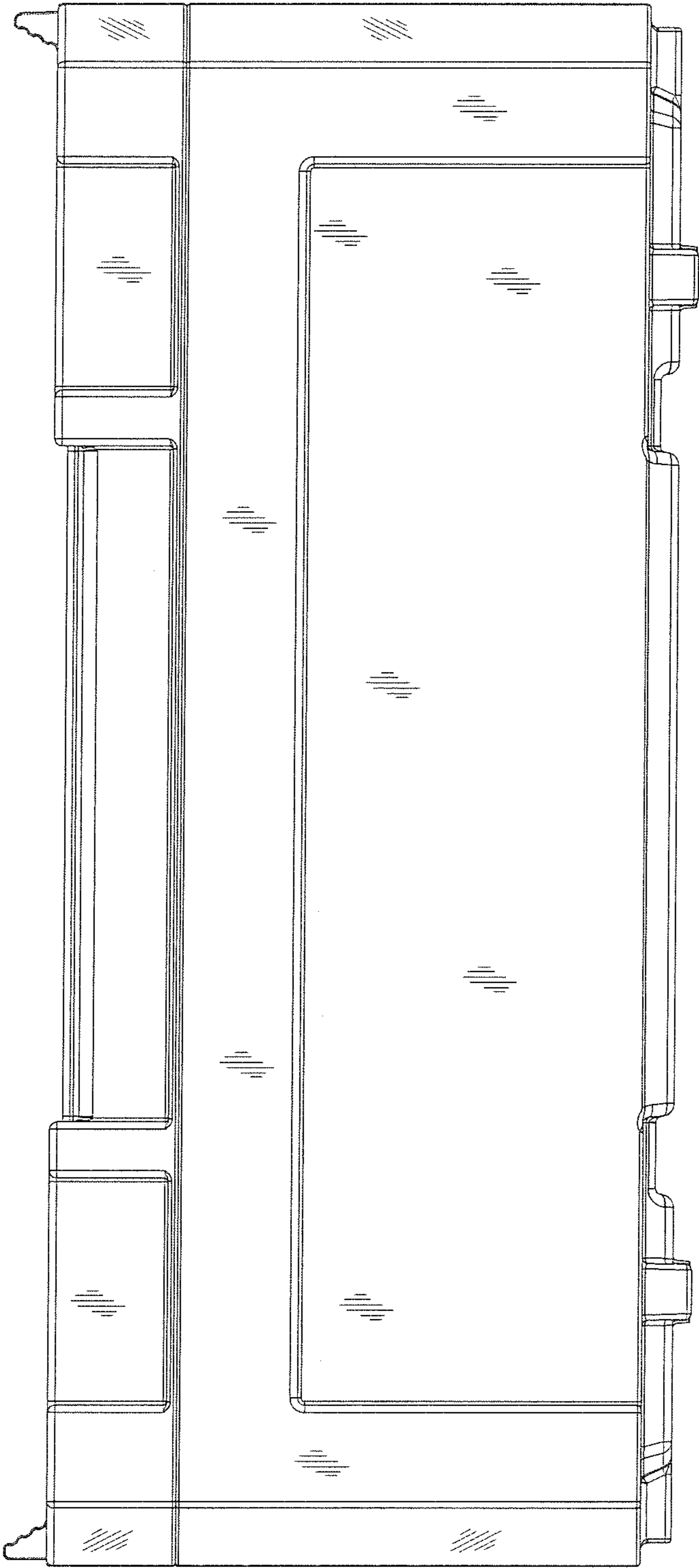


FIG.10

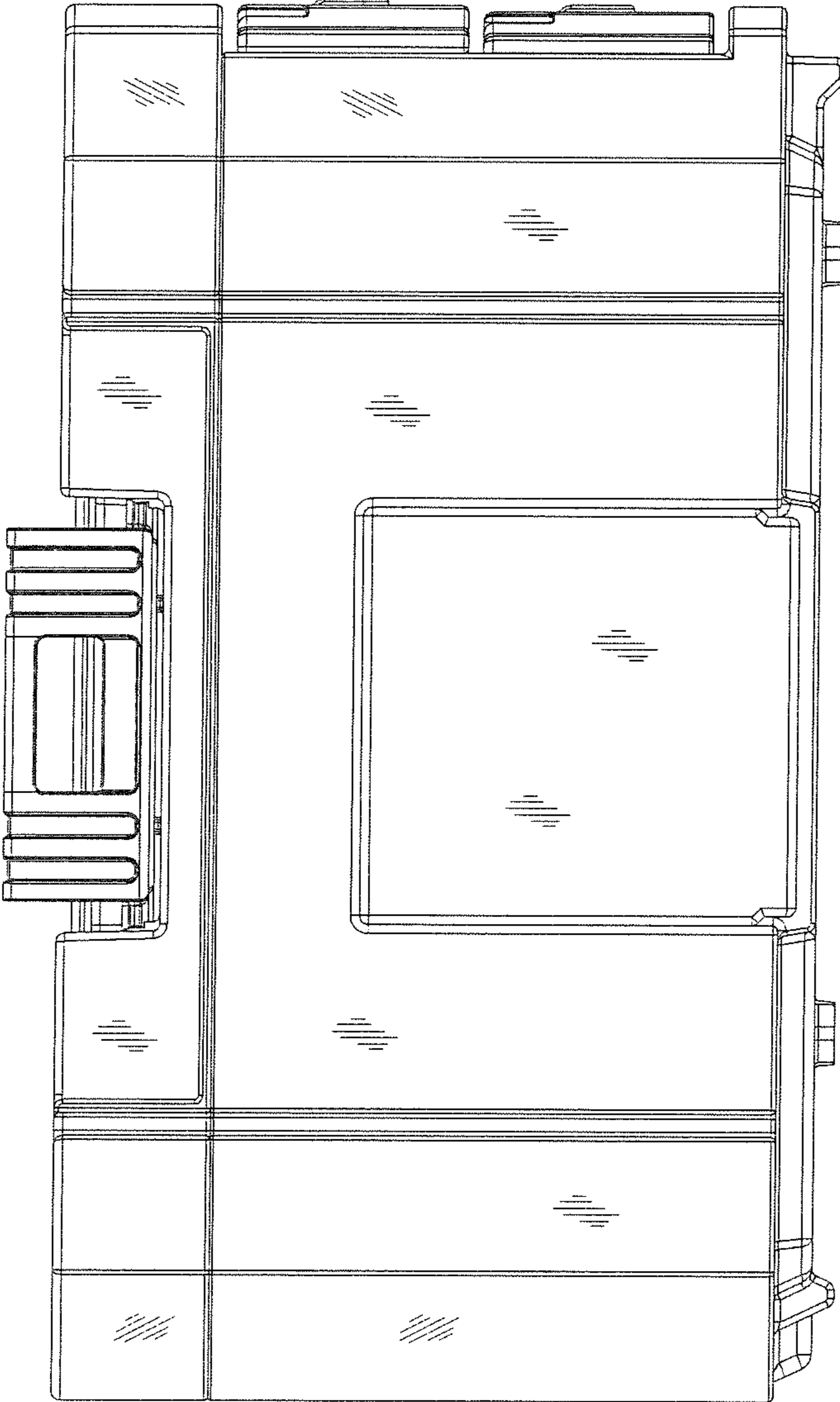


FIG.11

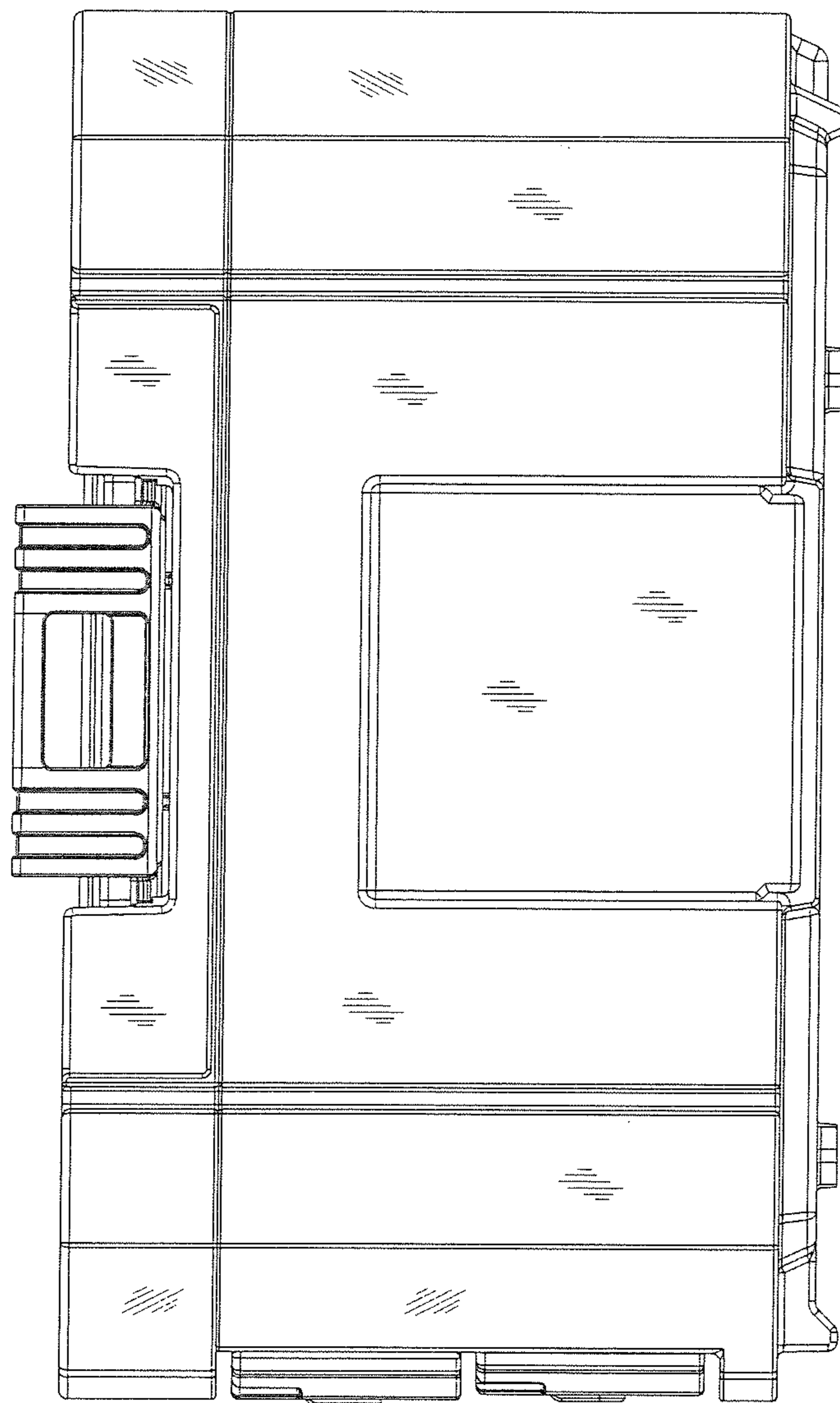


FIG.12

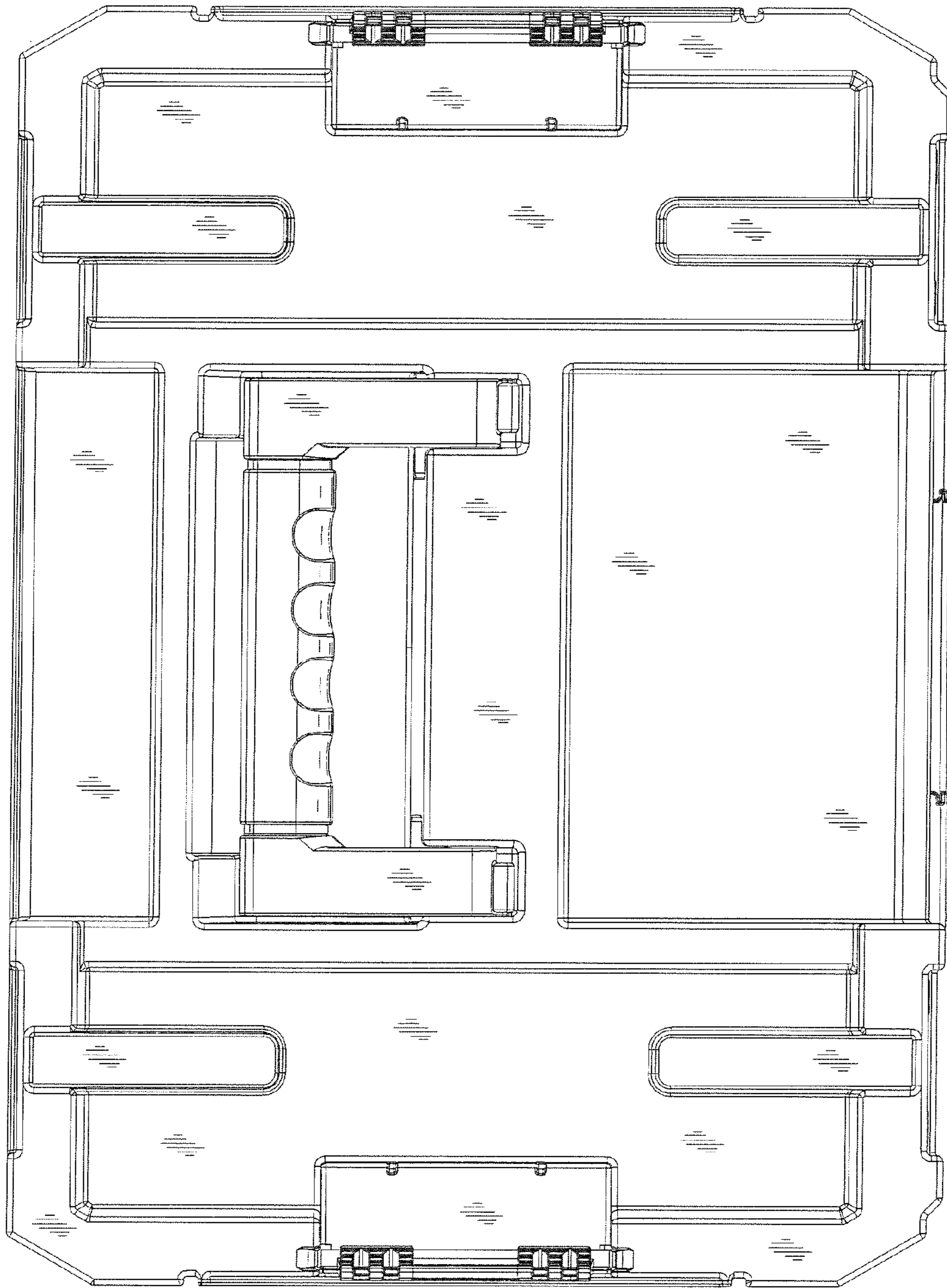


FIG.13

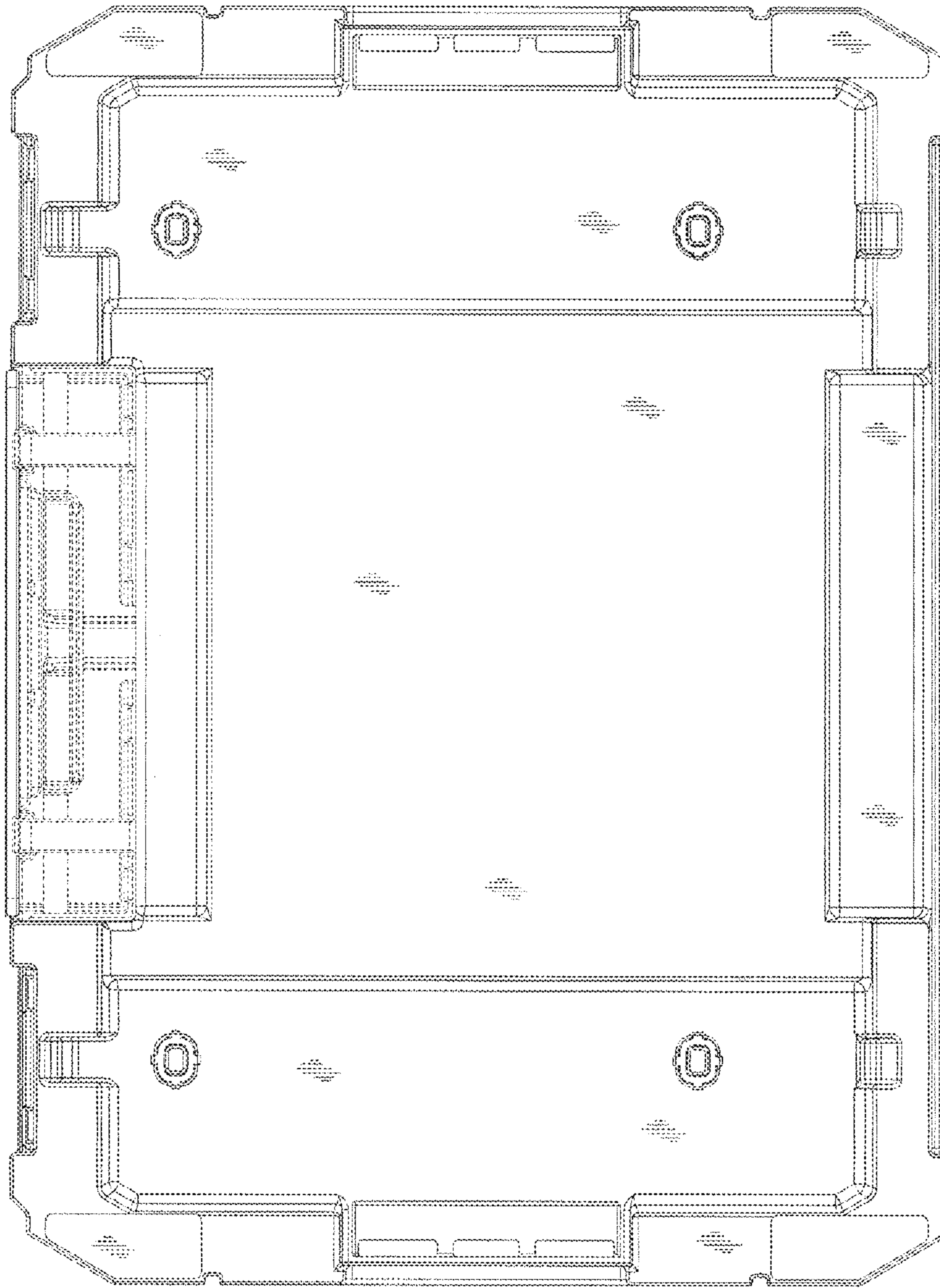


FIG.14