



US00D701693S

(12) **United States Design Patent**  
**Anigwe**

(10) **Patent No.:** **US D701,693 S**

(45) **Date of Patent:** **\*\* Apr. 1, 2014**

(54) **BACKPACK**

(71) Applicant: **Millicent N. Anigwe**, Coppell, TX (US)

(72) Inventor: **Millicent N. Anigwe**, Coppell, TX (US)

(\*\*) Term: **14 Years**

(21) Appl. No.: **29/467,396**

(22) Filed: **Sep. 18, 2013**

(51) **LOC (10) Cl.** ..... **03-01**

(52) **U.S. Cl.**  
USPC ..... **D3/216; D3/217**

(58) **Field of Classification Search**

USPC ..... D3/201, 213, 214, 215, 216, 217, 218,  
D3/232, 238, 257, 270, 271.1, 271.2,  
D3/271.9, 289, 290, 226; D6/632; D7/606,  
D7/901; 206/457, 315.9; 224/153, 155,  
224/575, 576, 579, 581, 586, 628, 645, 652,  
224/657; D21/712, 713

See application file for complete search history.

(56) **References Cited**

**U.S. PATENT DOCUMENTS**

D246,873 S *	1/1978	Kling	.....	D3/238
D335,956 S *	6/1993	Lucas	.....	D3/238
D340,134 S *	10/1993	Pollack	.....	D3/217
D345,049 S *	3/1994	Pollack	.....	D3/217
D355,757 S *	2/1995	Pollack	.....	D3/217
D360,072 S *	7/1995	Poire	.....	D3/217
D375,833 S *	11/1996	Dixon et al.	.....	D3/217
D381,500 S *	7/1997	Dixon et al.	.....	D3/217
D394,348 S *	5/1998	Aliff	.....	D3/238
5,950,895 A *	9/1999	Zakarin	.....	224/645
6,286,674 B1 *	9/2001	Richard et al.	.....	206/315.9
6,612,472 B1 *	9/2003	Zakarin	.....	224/652
D482,523 S *	11/2003	Friou	.....	D3/226
6,863,201 B2 *	3/2005	Esqueda	.....	224/576
D505,594 S *	5/2005	Minor et al.	.....	D7/606

D506,864 S *	7/2005	Fonfeder	.....	D3/217
7,021,509 B2 *	4/2006	Chuang	.....	224/628
D547,948 S *	8/2007	Friedman	.....	D3/271.9
D557,499 S *	12/2007	Friedman	.....	D3/271.9

\* cited by examiner

*Primary Examiner* — Caron D Veynar

*Assistant Examiner* — Martie K Holtje

(74) *Attorney, Agent, or Firm* — QuickPatents; Kevin Prince

(57) **CLAIM**

I claim the ornamental design for a backpack, as shown and described.

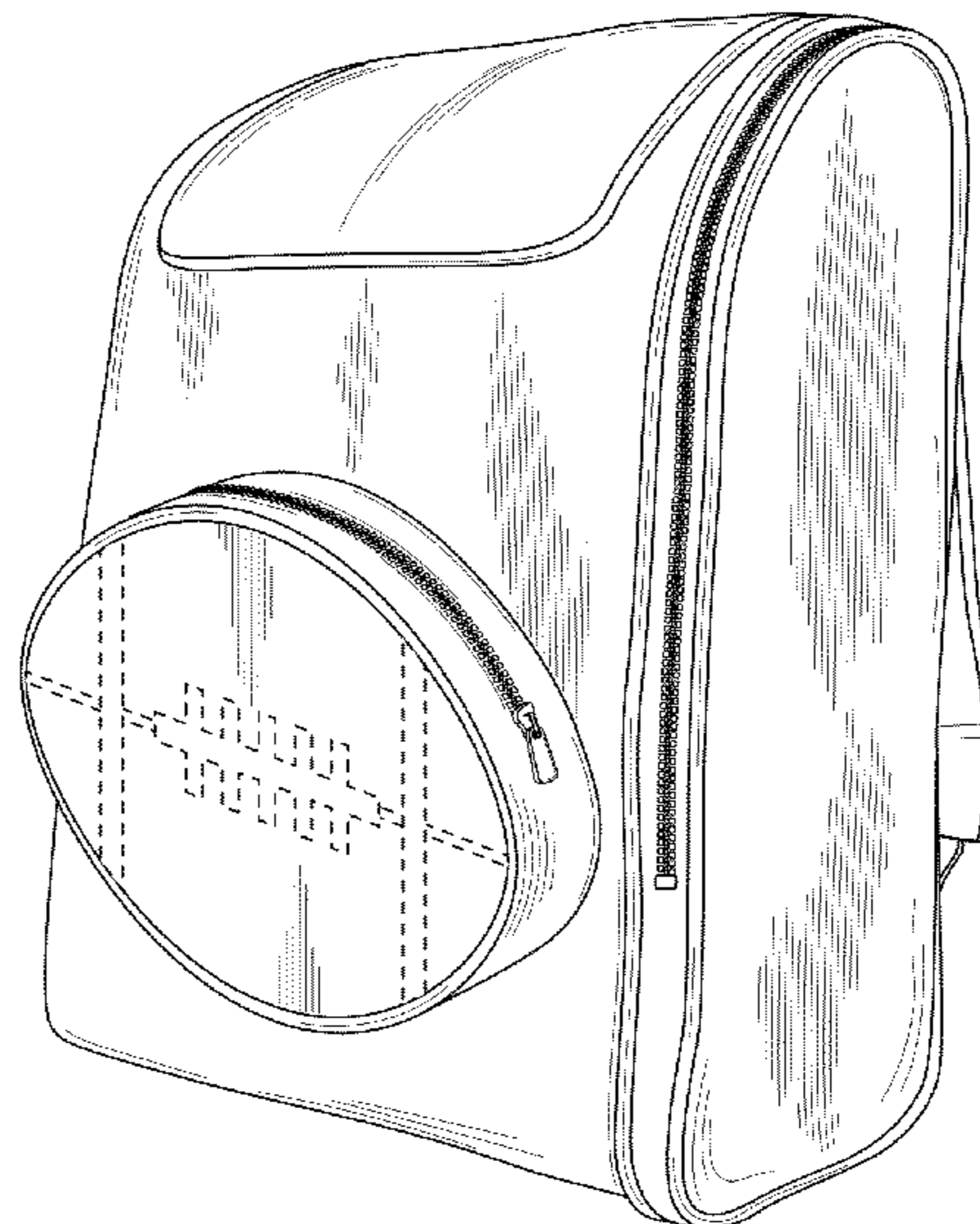
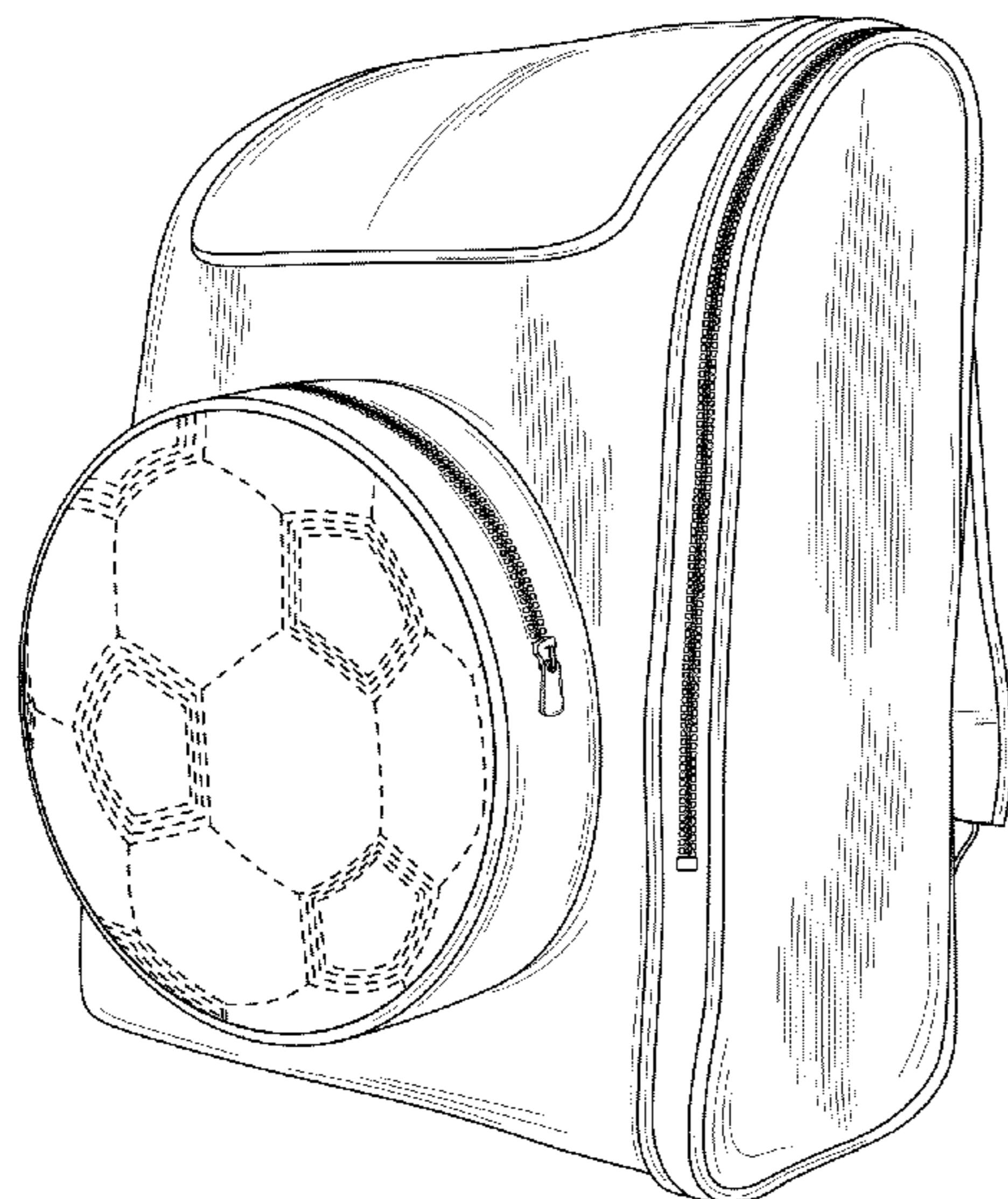
**DESCRIPTION**

FIG. 1 is a perspective view of a backpack, showing a first embodiment of my new design;  
FIG. 2 is a right-side elevational view thereof;  
FIG. 3 is a left-side elevational view thereof;  
FIG. 4 is a front elevational view thereof;  
FIG. 5 is a rear elevational view thereof;  
FIG. 6 is a top plan view thereof;  
FIG. 7 is a bottom plan view thereof;  
FIG. 8 is a perspective view of a second embodiment thereof;  
FIG. 9 is a right-side elevational view of FIG. 8;  
FIG. 10 is a left-side elevational view of FIG. 8;  
FIG. 11 is a front elevational view of FIG. 8;  
FIG. 12 is a rear elevational view of FIG. 8;  
FIG. 13 is a top plan view of FIG. 8; and,  
FIG. 14 is a bottom plan view of FIG. 8.

The ball patterns depicted by broken lines in FIGS. 1, 4, 8, and 11 have been shown for the purpose of illustrating portions of the backpack that form no part of the claimed design.

The remaining broken lines represent stitching which is part of the claimed design.

**1 Claim, 6 Drawing Sheets**



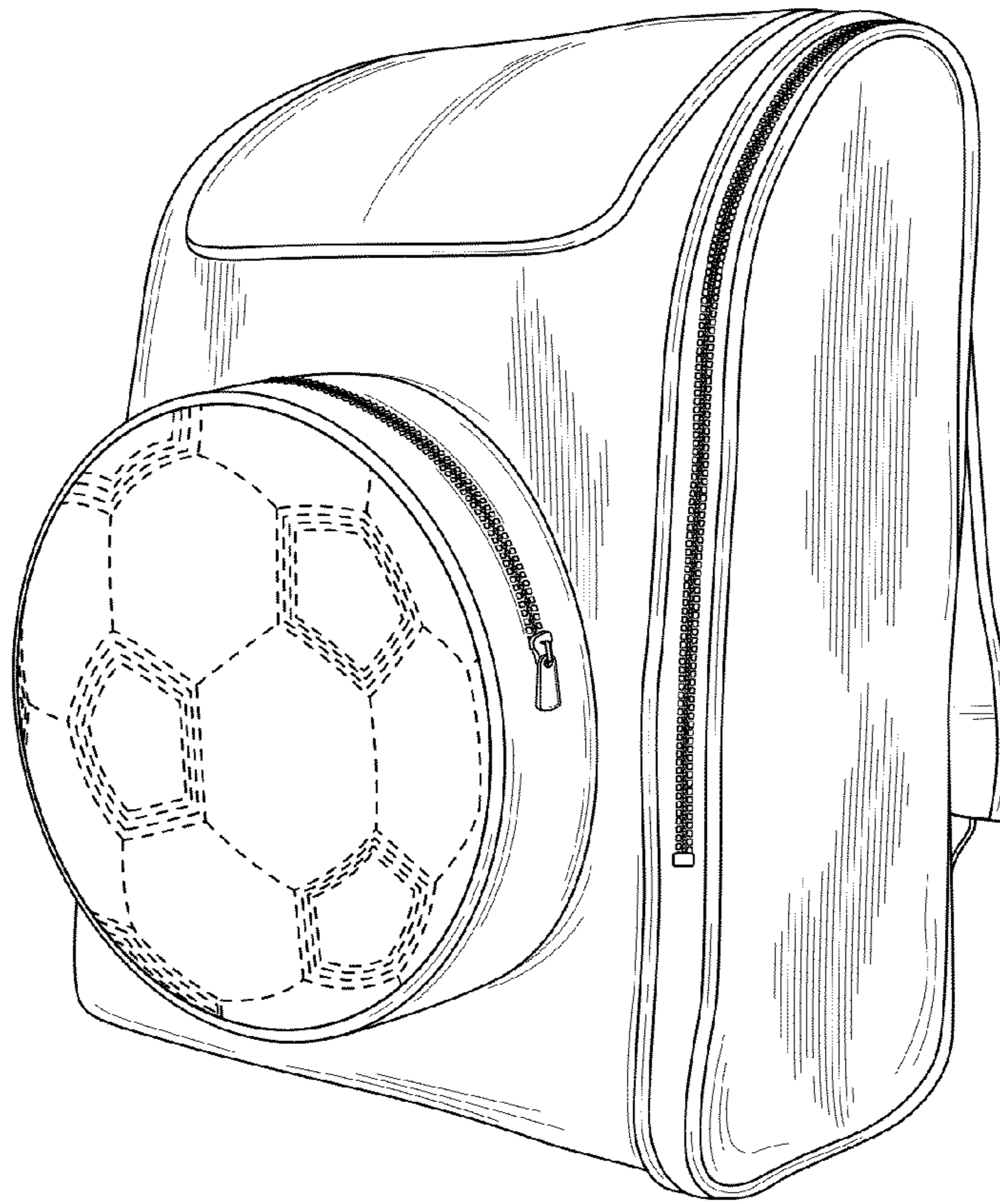


FIG. 1

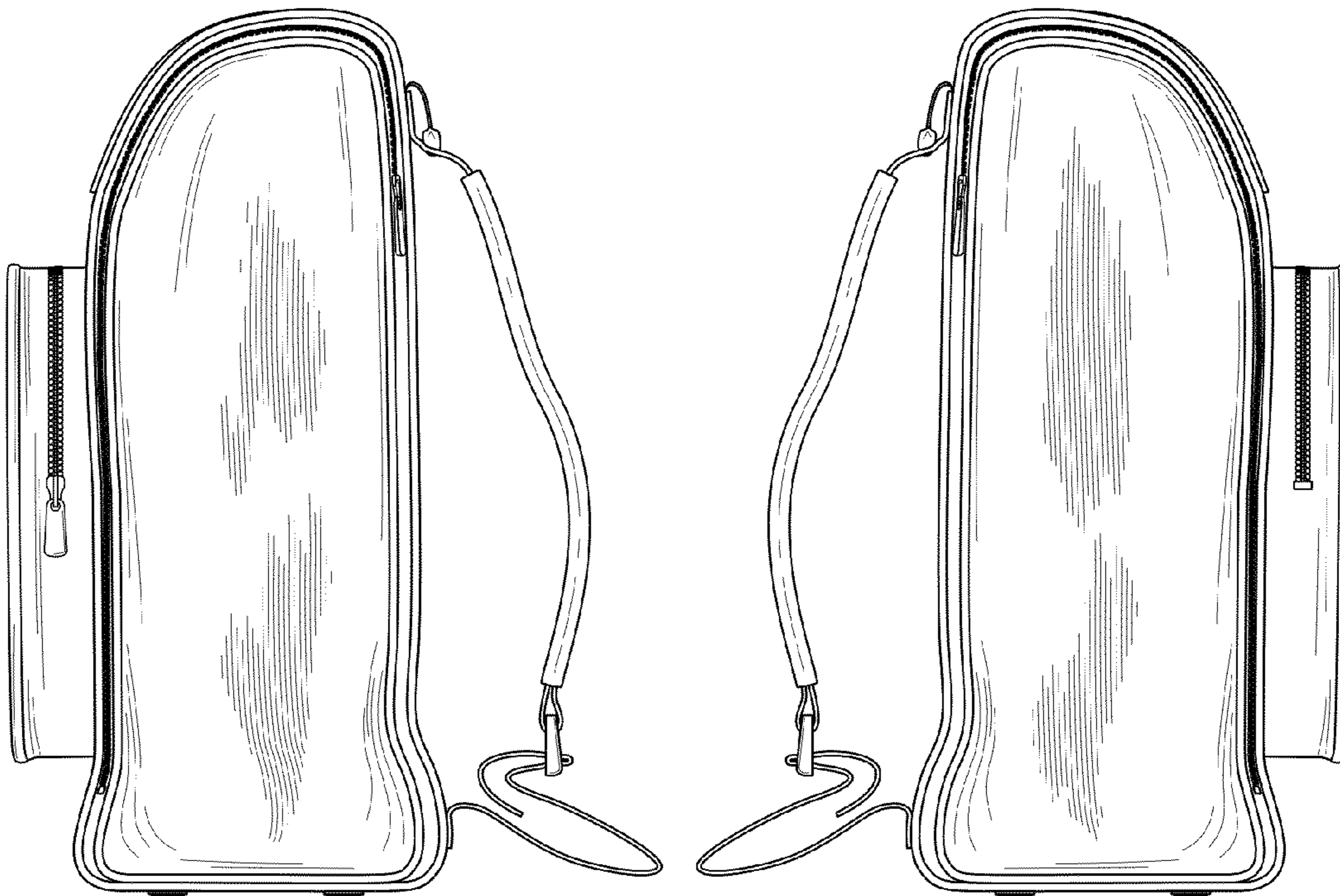


FIG. 2

FIG. 3

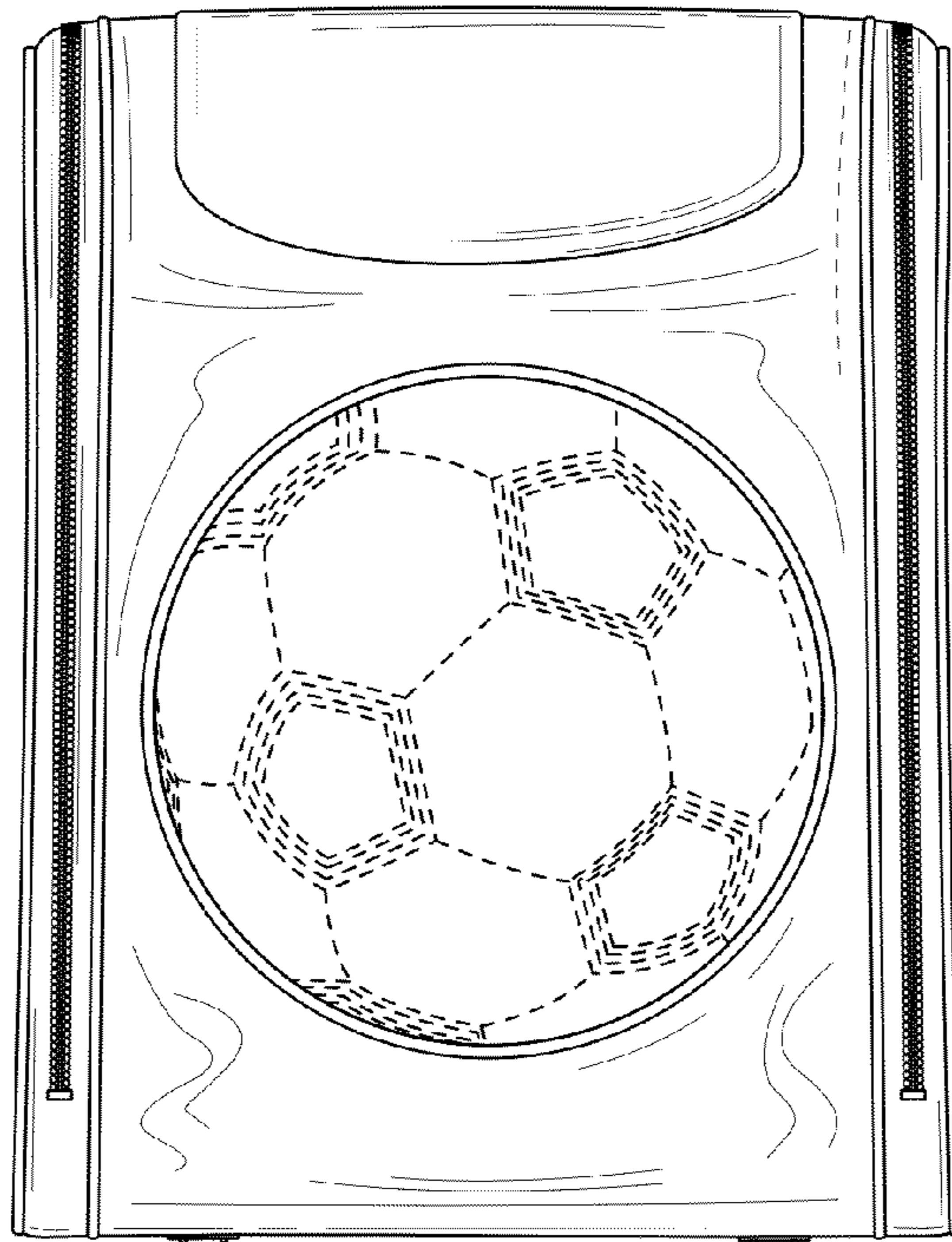


FIG. 4

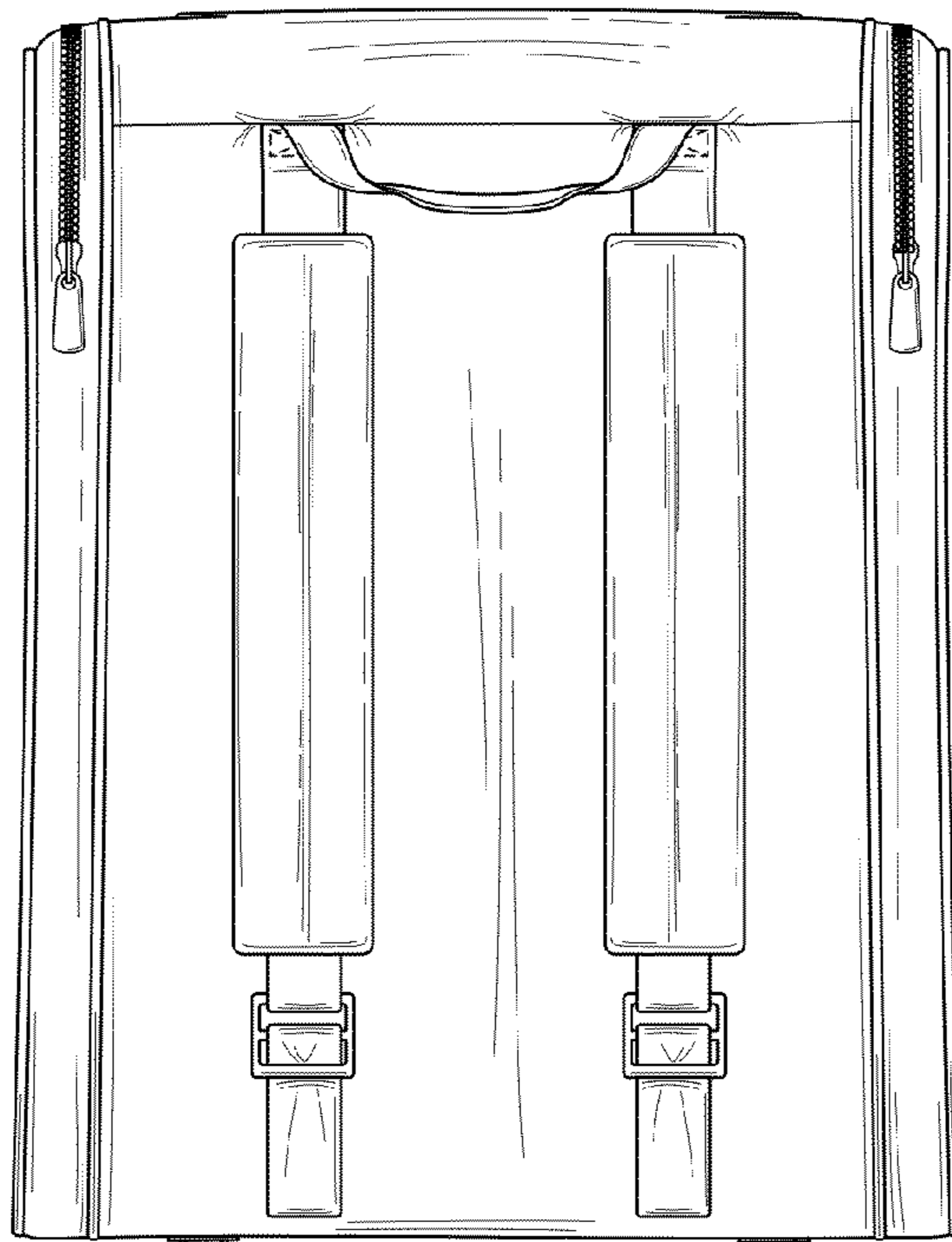


FIG. 5

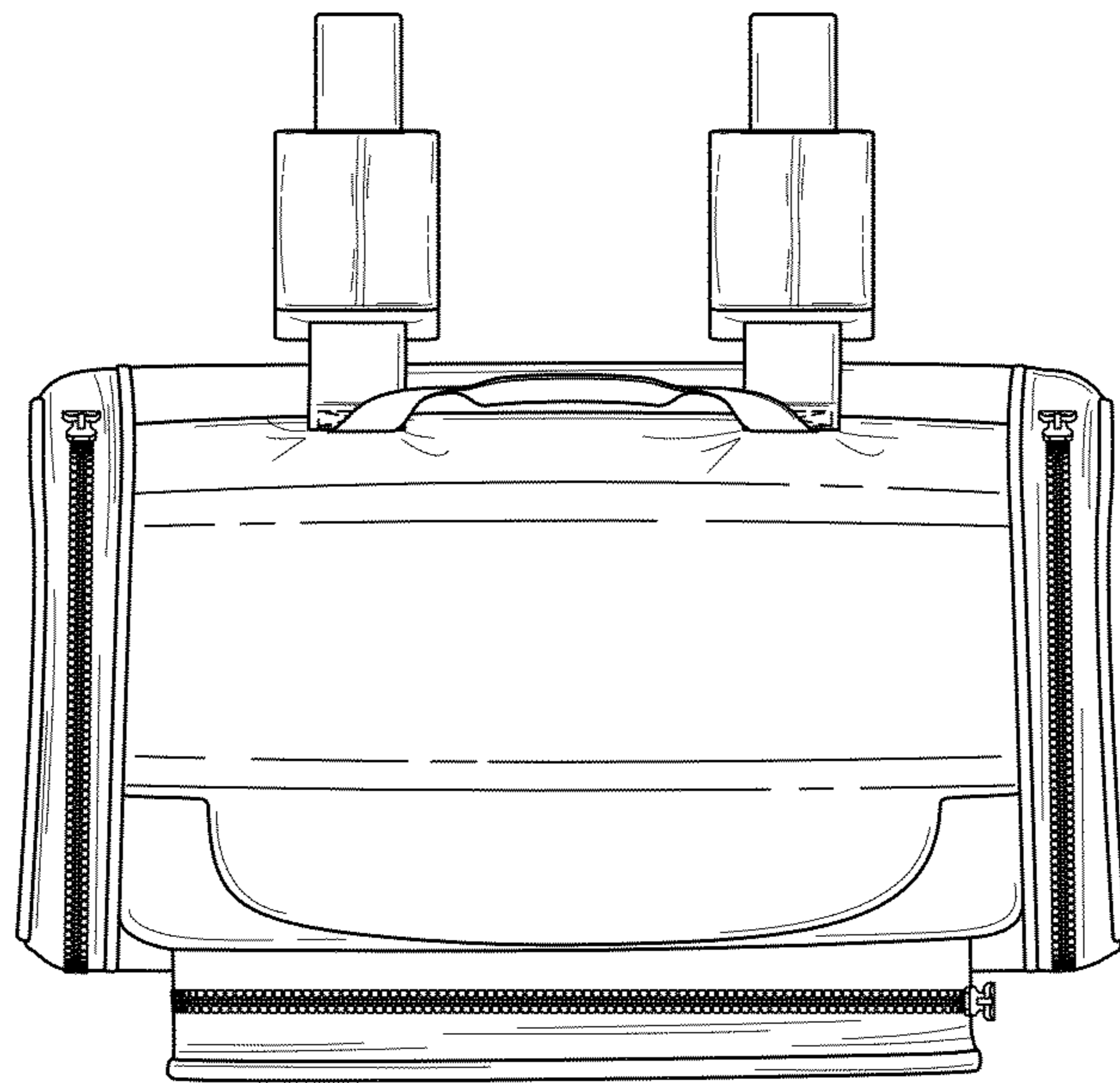


FIG. 6

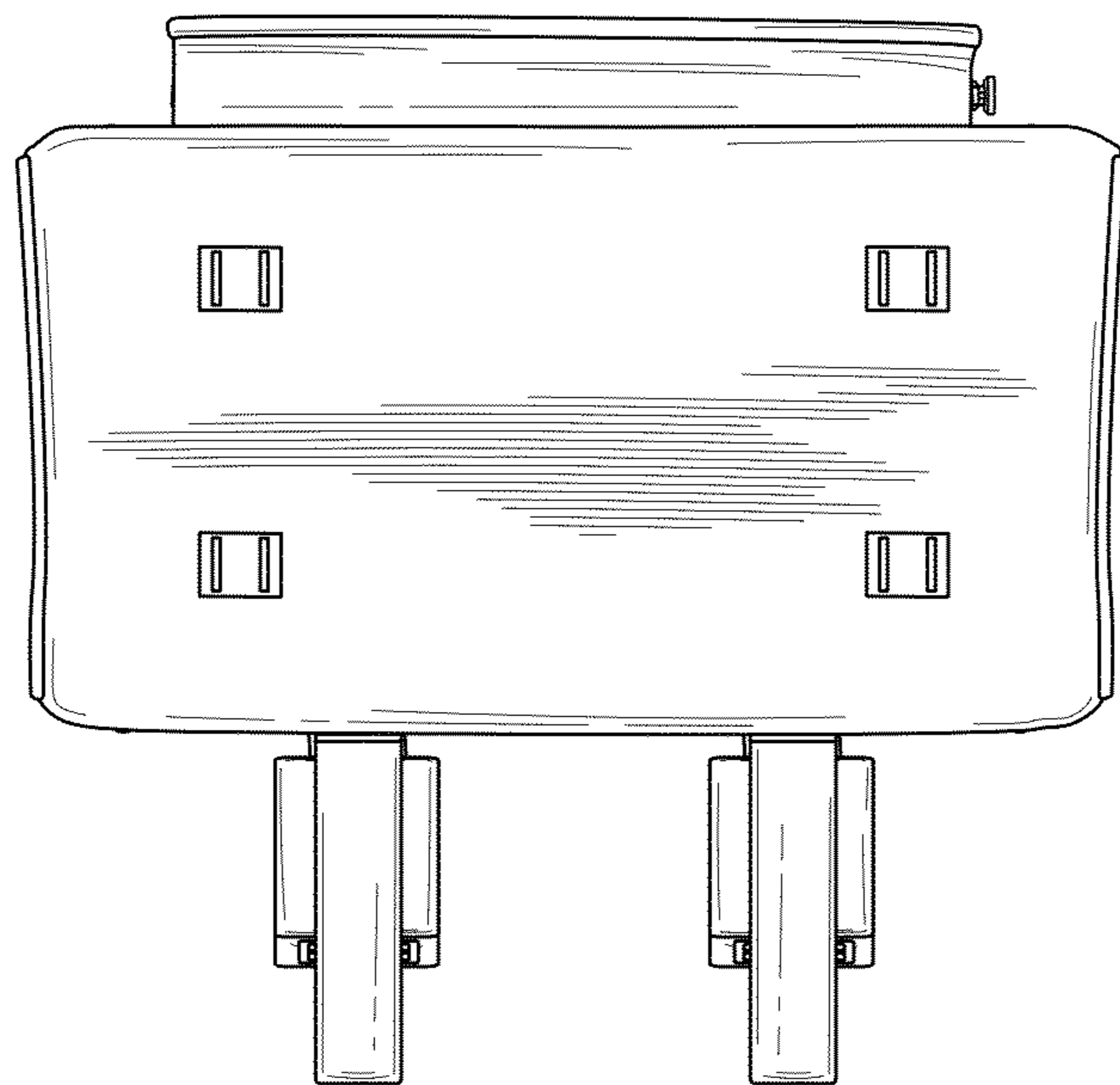


FIG. 7

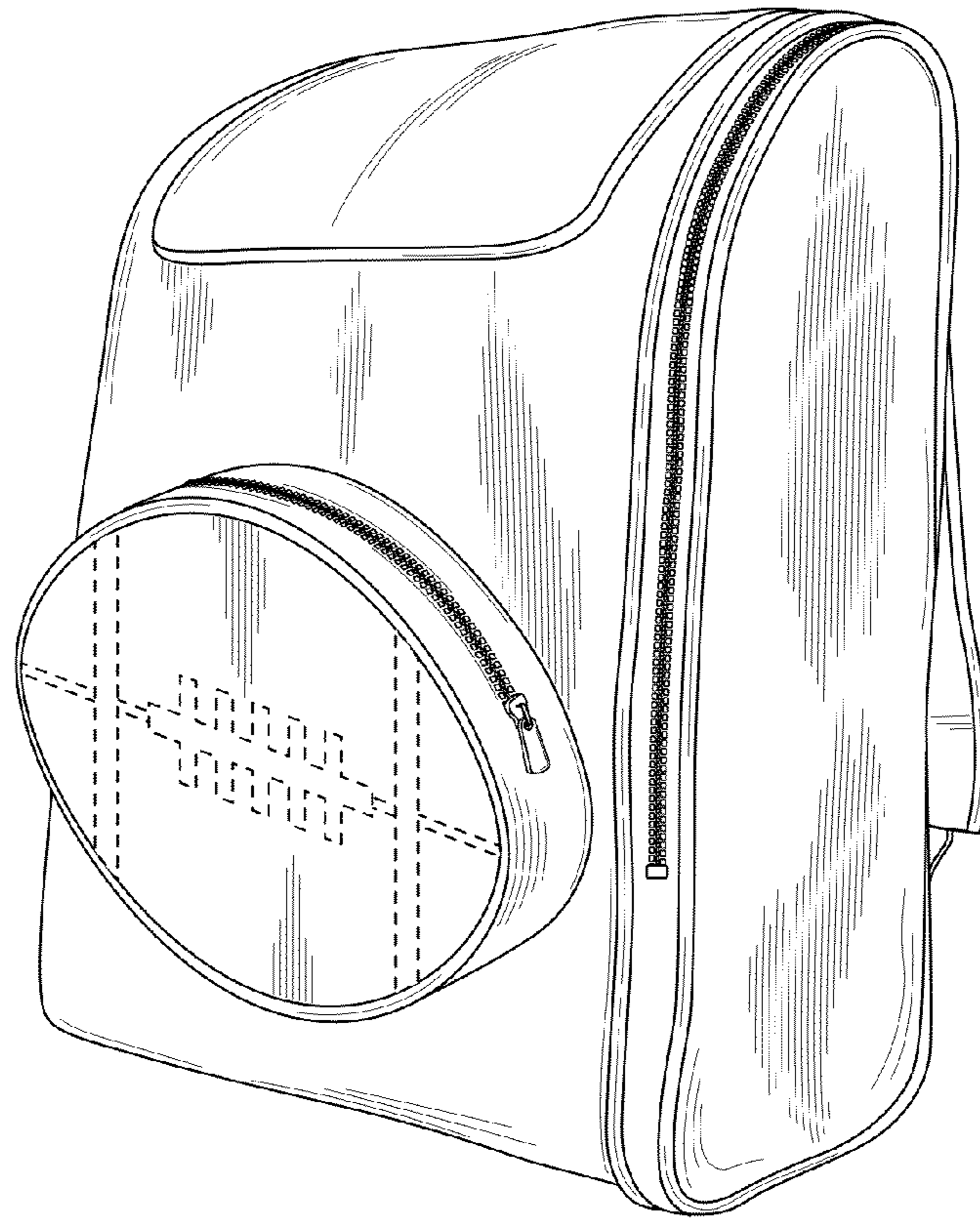


FIG. 8

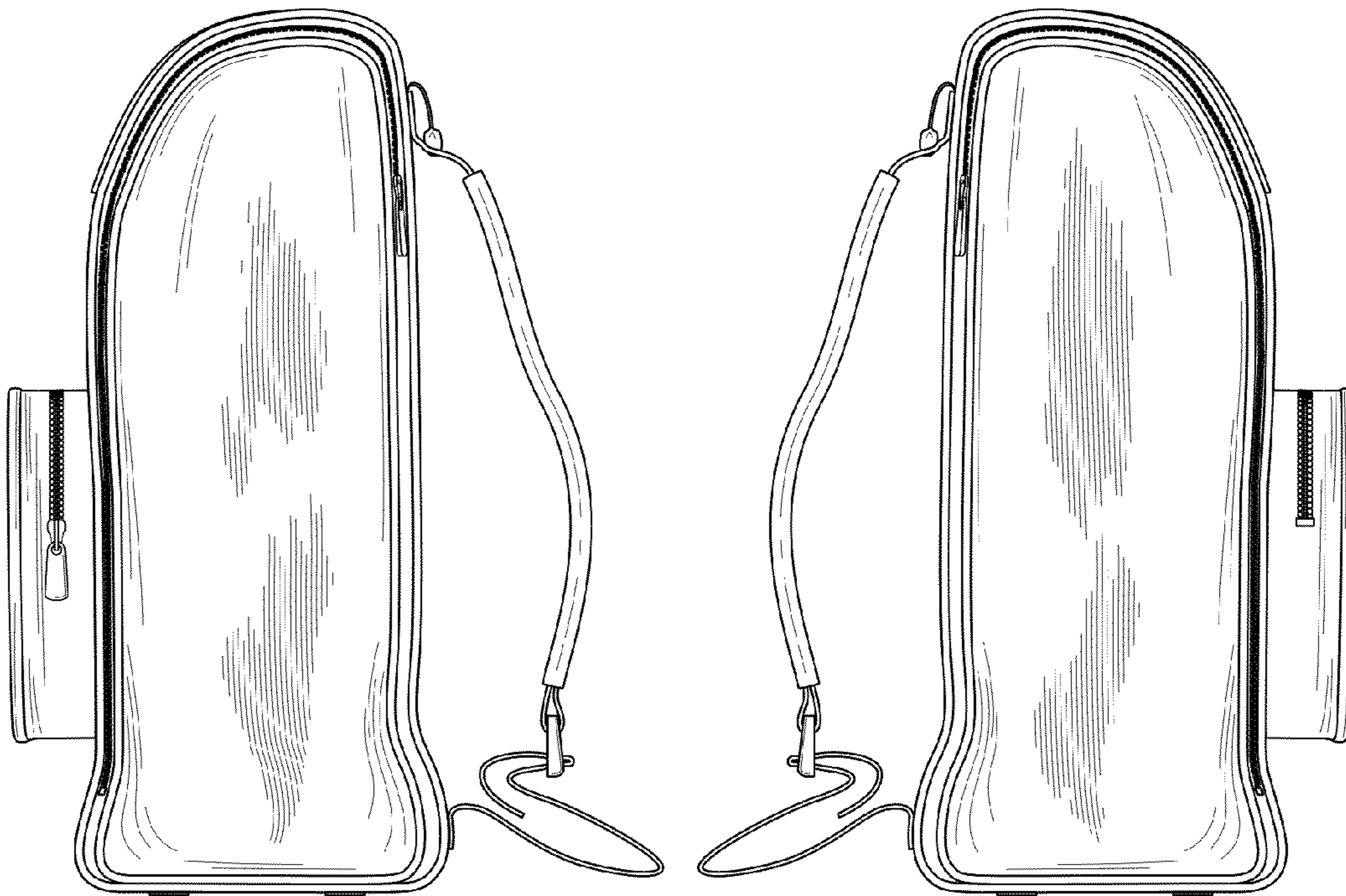


FIG. 9

FIG. 10

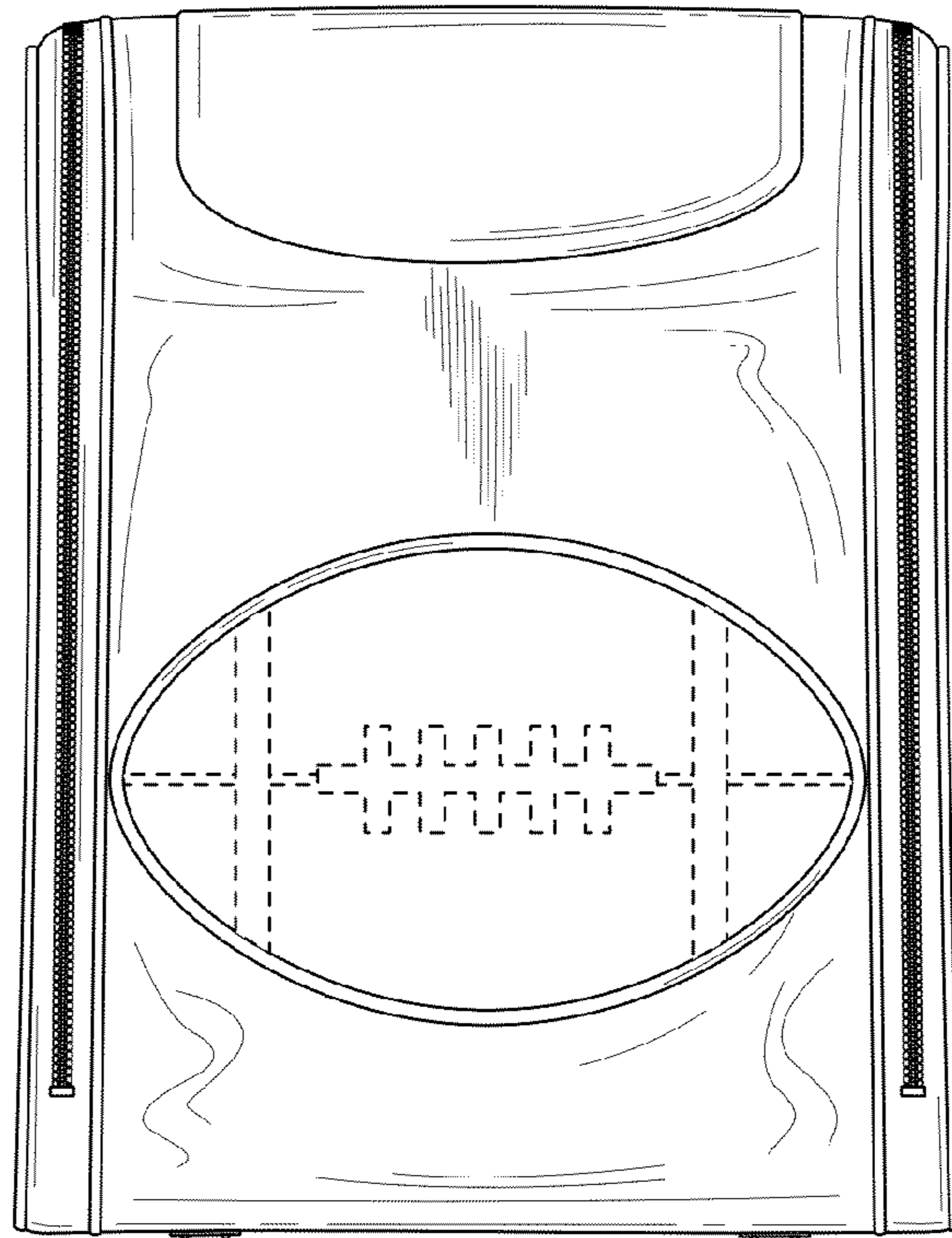


FIG. 1 1

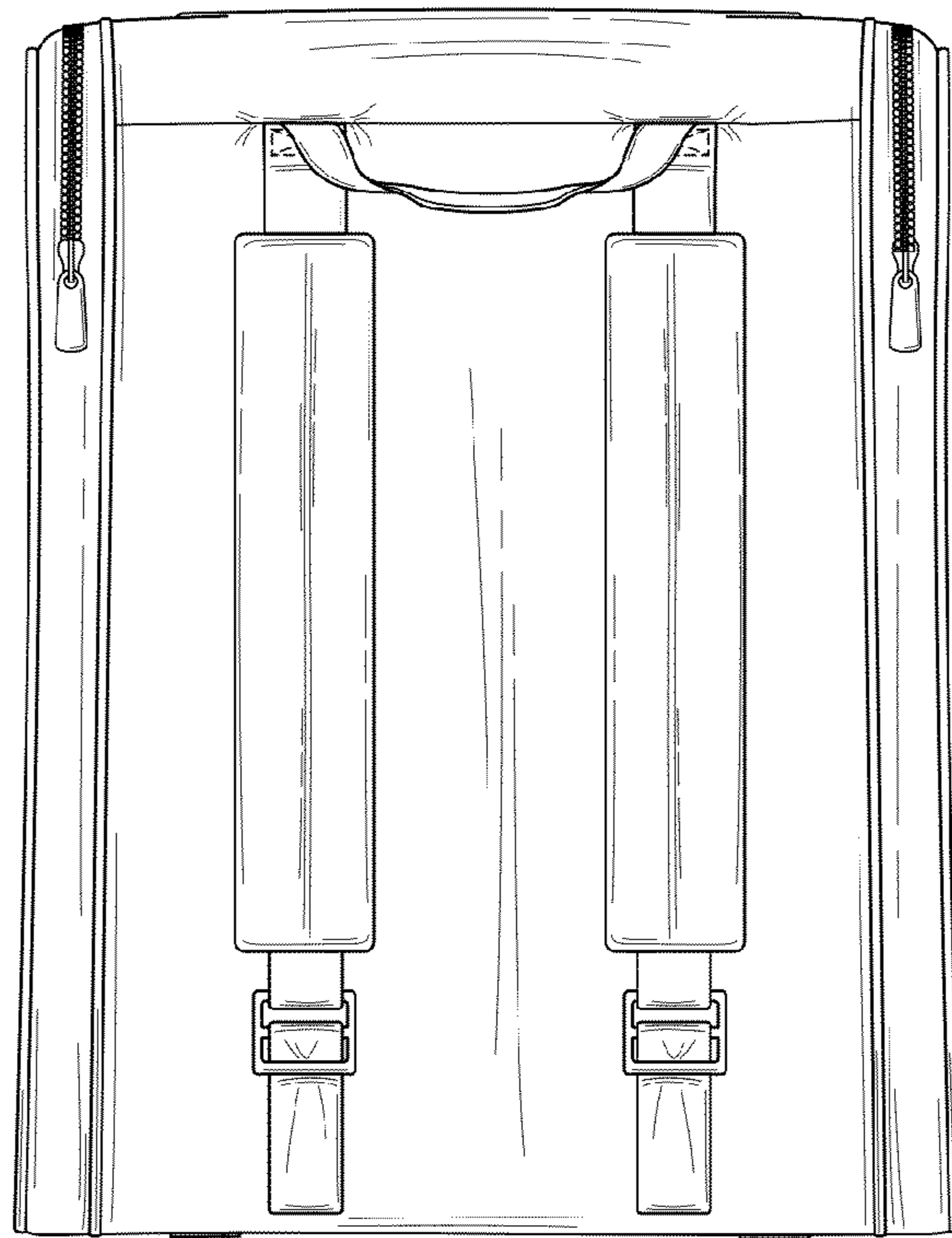


FIG. 12

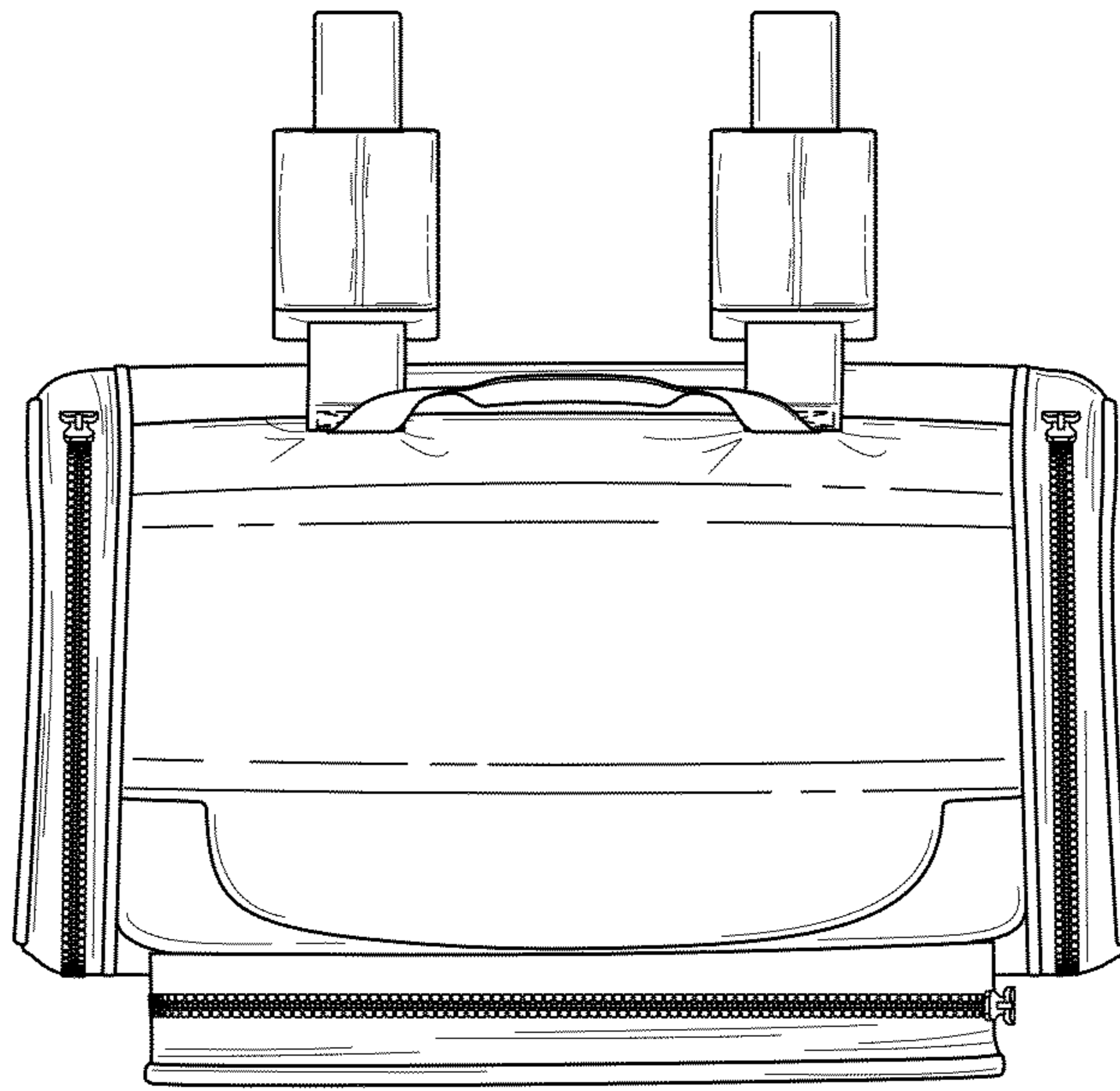


FIG. 13

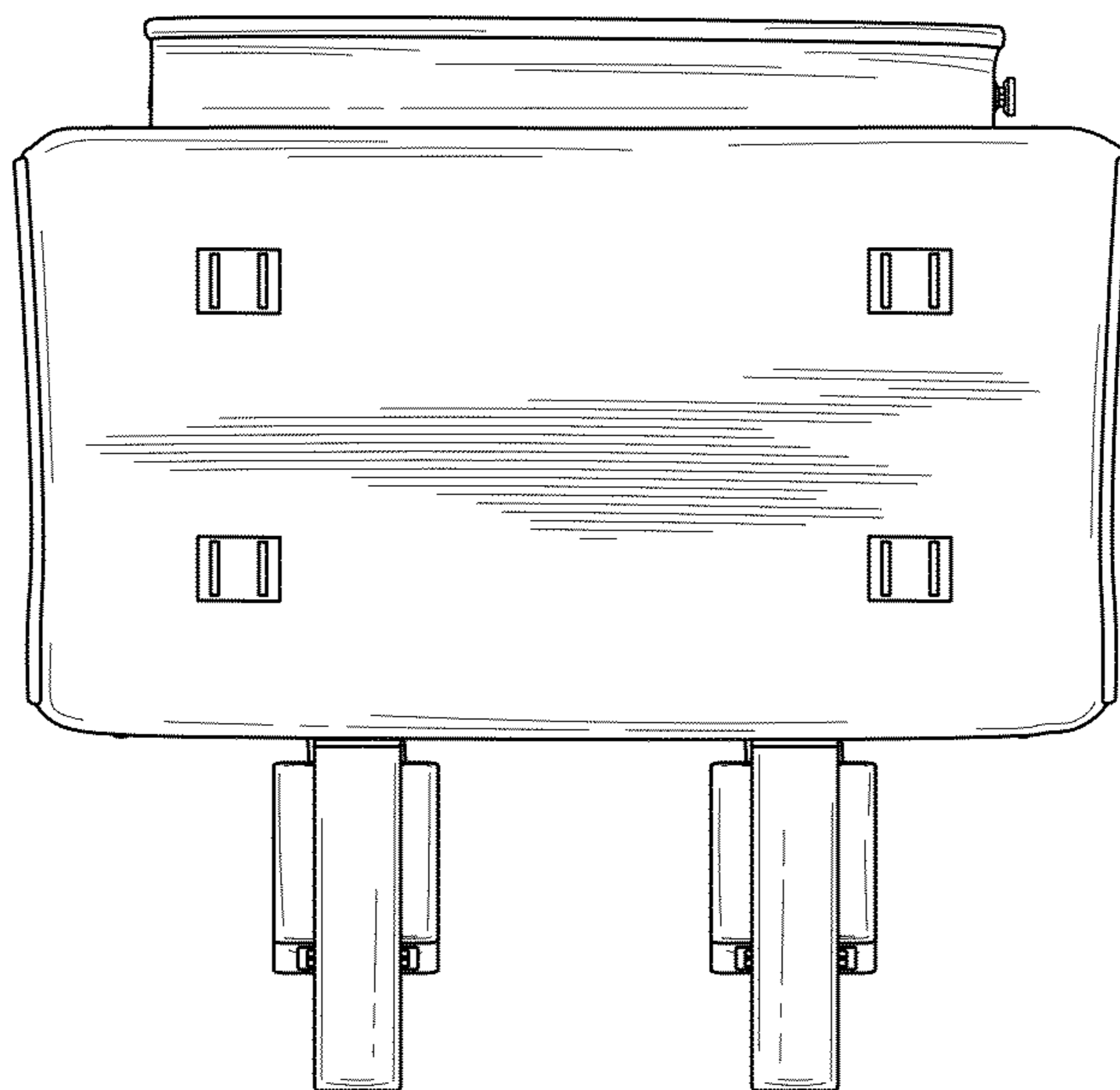


FIG. 14