



US00D701690S

(12) **United States Design Patent**
Chabot

(10) **Patent No.:** **US D701,690 S**

(45) **Date of Patent:** **** Apr. 1, 2014**

(54) **BREATHALYZER HOLDER**

Primary Examiner — Catheri Oliver-Garcia

(76) Inventor: **Michael Chabot**, Dillon, CO (US)

(57) **CLAIM**

The ornamental design for a breathalyzer holder, as shown and described.

(**) Term: **14 Years**

(21) Appl. No.: **29/431,722**

(22) Filed: **Sep. 10, 2012**

DESCRIPTION

Related U.S. Application Data

(63) Continuation-in-part of application No. 13/052,048, filed on Mar. 19, 2011, now abandoned.

(51) **LOC (10) Cl.** **03-01**

(52) **U.S. Cl.**
USPC **D3/201**

(58) **Field of Classification Search**
USPC D3/201, 203.1–205, 269–270;
206/305–306, 320, 1.5; 224/201;
73/23.3; 340/576; 180/272; 422/84
See application file for complete search history.

FIG. 1 is a perspective view of a breathalyzer holder showing my new design.

FIG. 2 is another perspective view, with the top removed; FIG. 3 is another perspective view thereof, shown with the breathalyzer inside;

FIG. 4 is a front elevation view, with the top shown closed;

FIG. 5 is a rear elevation view thereof;

FIG. 6 is a bottom plan view thereof.

FIG. 7 is another bottom plan view, with the top removed;

FIG. 8 is another bottom plan view thereof.

FIG. 9 is a top plan view, with the top shown closed;

FIG. 10 is another top plan view, with the top removed and the breathalyzer inside;

FIG. 11 is another top plan view thereof.

FIG. 12 is another top plan view, shown closed;

FIG. 13 is a front elevation view, shown closed;

FIG. 14 is a front elevation view, with the top open;

FIG. 15 is a front elevation view, with the top removed and the breathalyzer shown inside;

FIG. 16 is a rear elevation view, with the top shown closed;

FIG. 17 is another rear elevation view, with the top shown open;

FIG. 18 is another rear elevation view, with the top shown open and the breathalyzer inside; and,

FIG. 19 is a rear elevation view of the design shown in use.

The breathalyzer shown in broken lines is for illustration only and forms no part of the claimed design.

The partial human figure shown in broken lines is for illustration only and forms no part of the claimed design.

(56) **References Cited**

U.S. PATENT DOCUMENTS

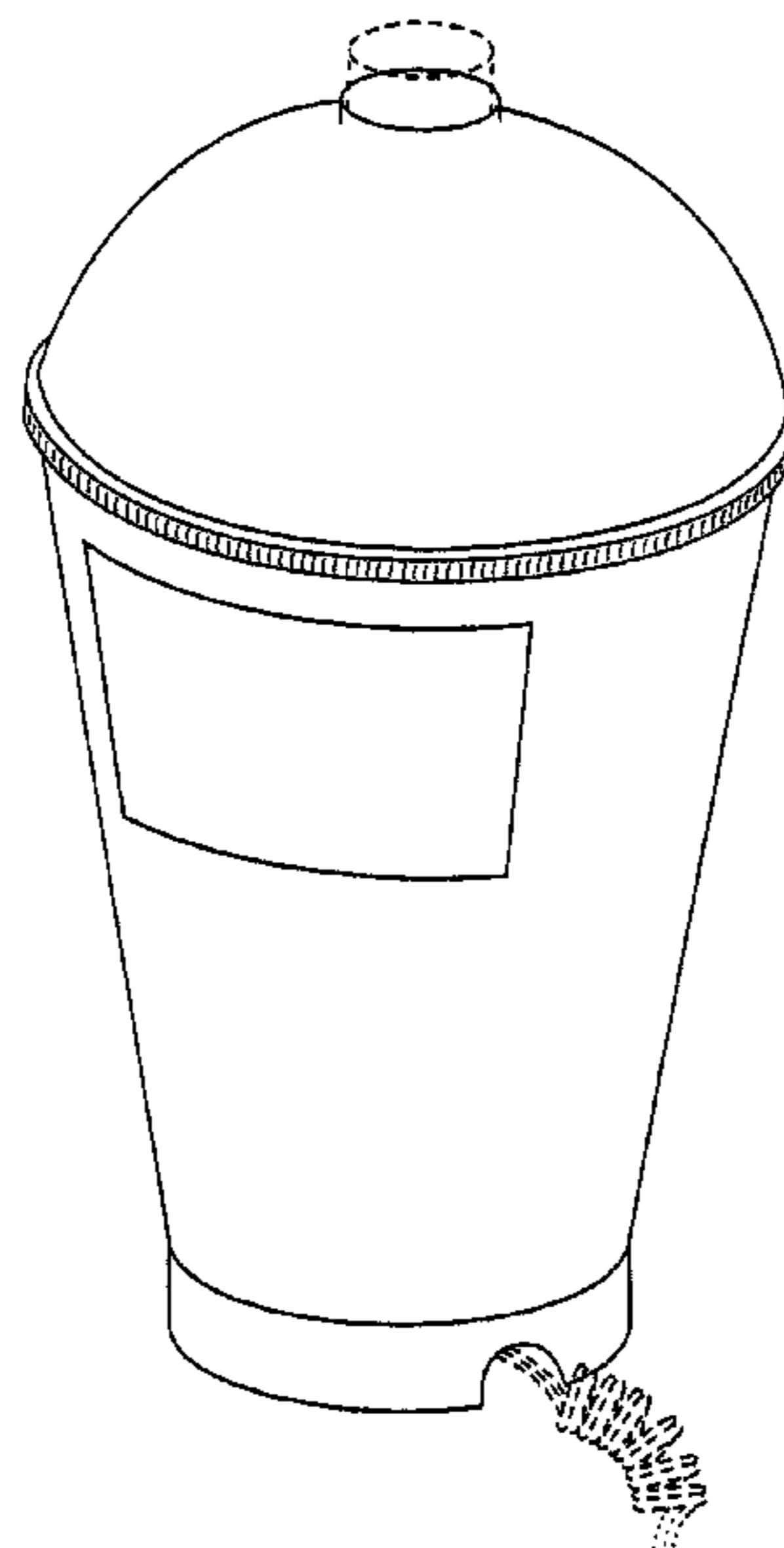
| | | | | | |
|--------------|------|---------|----------------|-------|---------|
| D606,736 | S * | 12/2009 | Coran | | D3/201 |
| 8,336,665 | B1 * | 12/2012 | Saunders | | 180/272 |
| 8,418,796 | B2 * | 4/2013 | Flores | | 180/272 |
| 2003/0070947 | A1 | 4/2003 | Motson | | |
| 2007/0093725 | A1 | 4/2007 | Shaw | | |
| 2009/0118576 | A1 | 5/2009 | Akagi et al. | | |
| 2009/0325639 | A1 | 12/2009 | Koehn | | |
| 2010/0228141 | A1 | 9/2010 | Kountotsis | | |
| 2011/0079073 | A1 | 4/2011 | Keays | | |
| 2012/0031166 | A1 | 2/2012 | Lopez et al. | | |
| 2012/0048753 | A1 | 3/2012 | Johnson-Griggs | | |

OTHER PUBLICATIONS

U.S. Appl. No. 13/052,048 Office Action dated May 10, 2012.

* cited by examiner

1 Claim, 19 Drawing Sheets



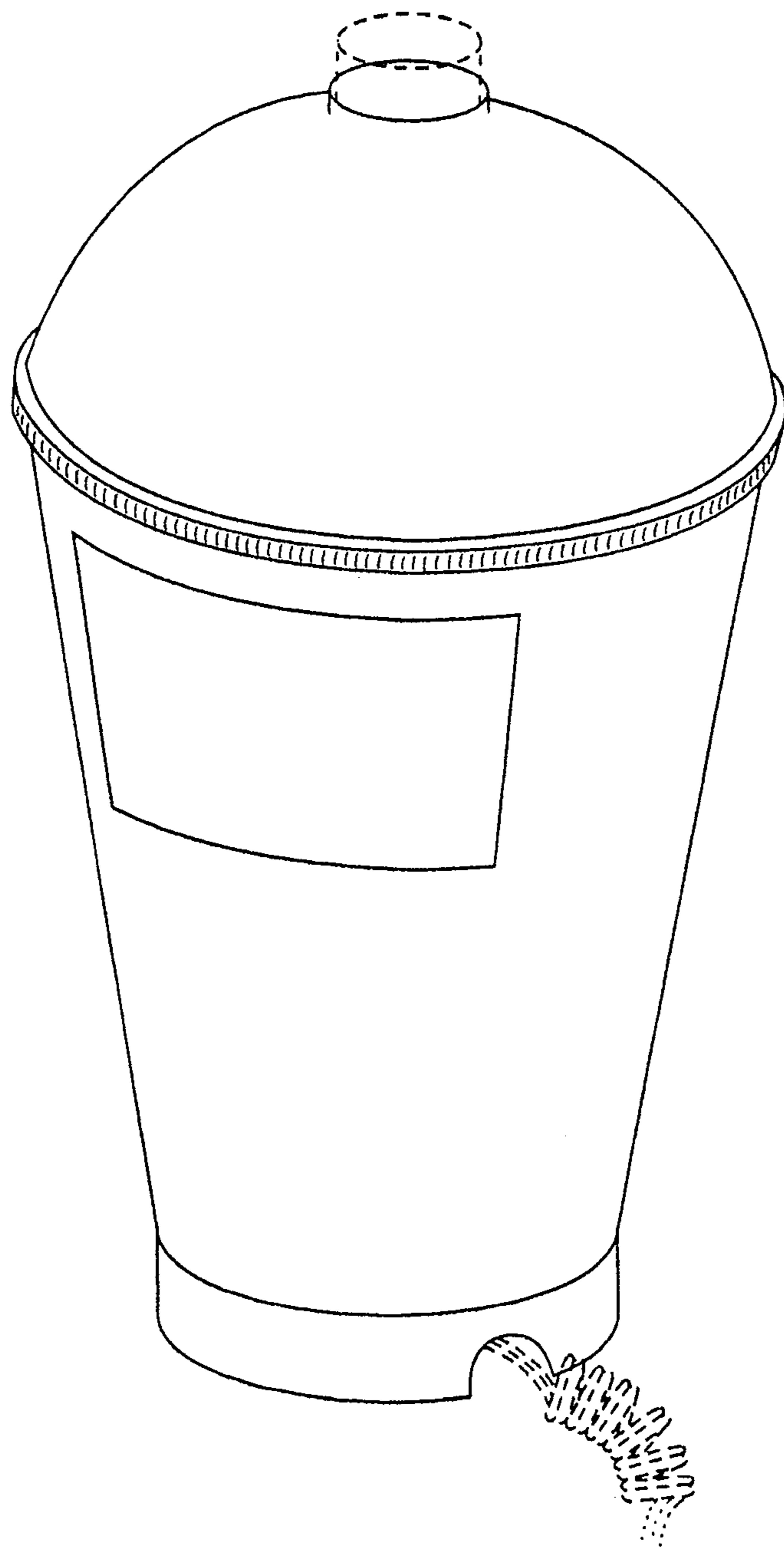


FIG. 1

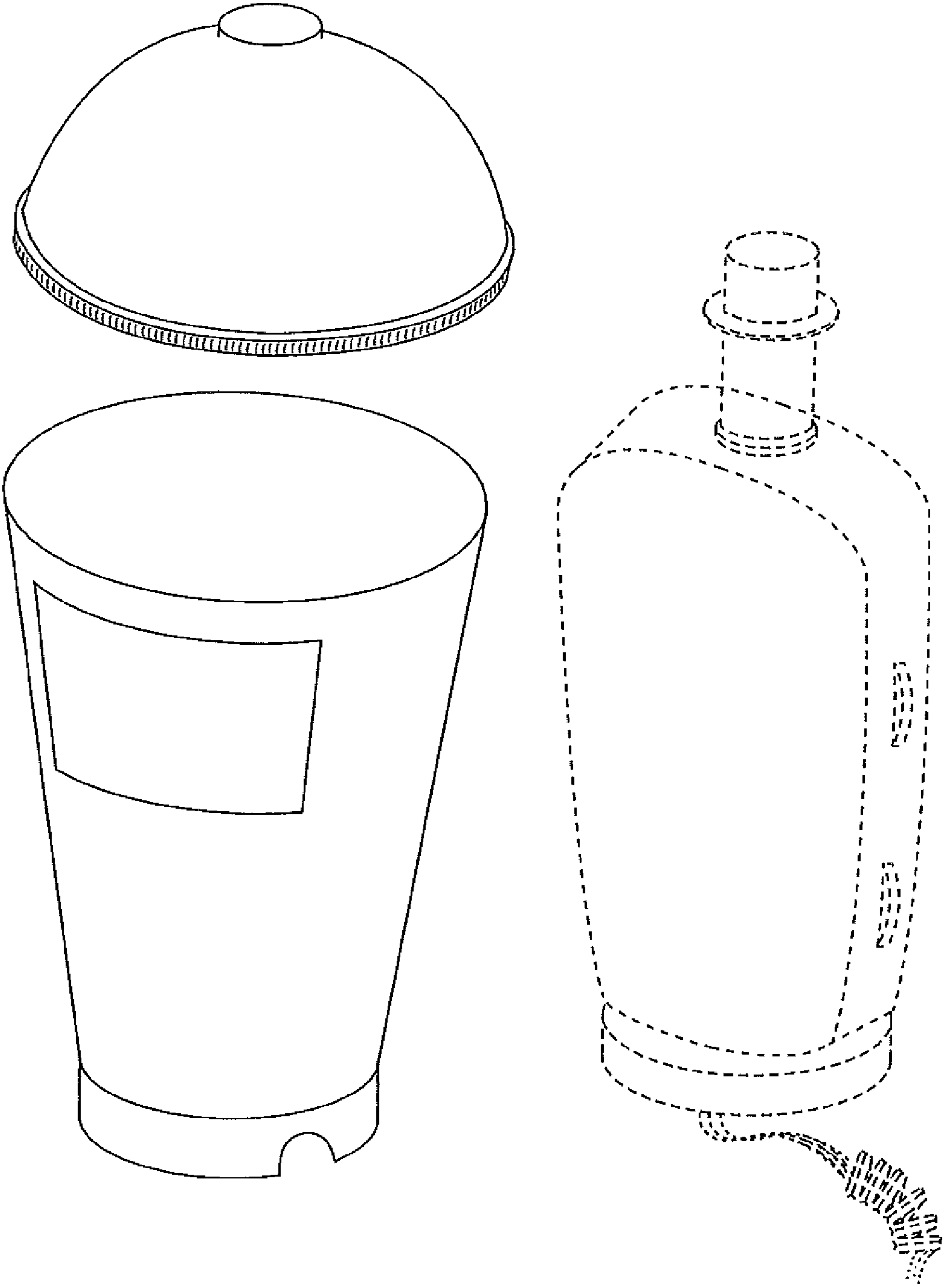


FIG. 2

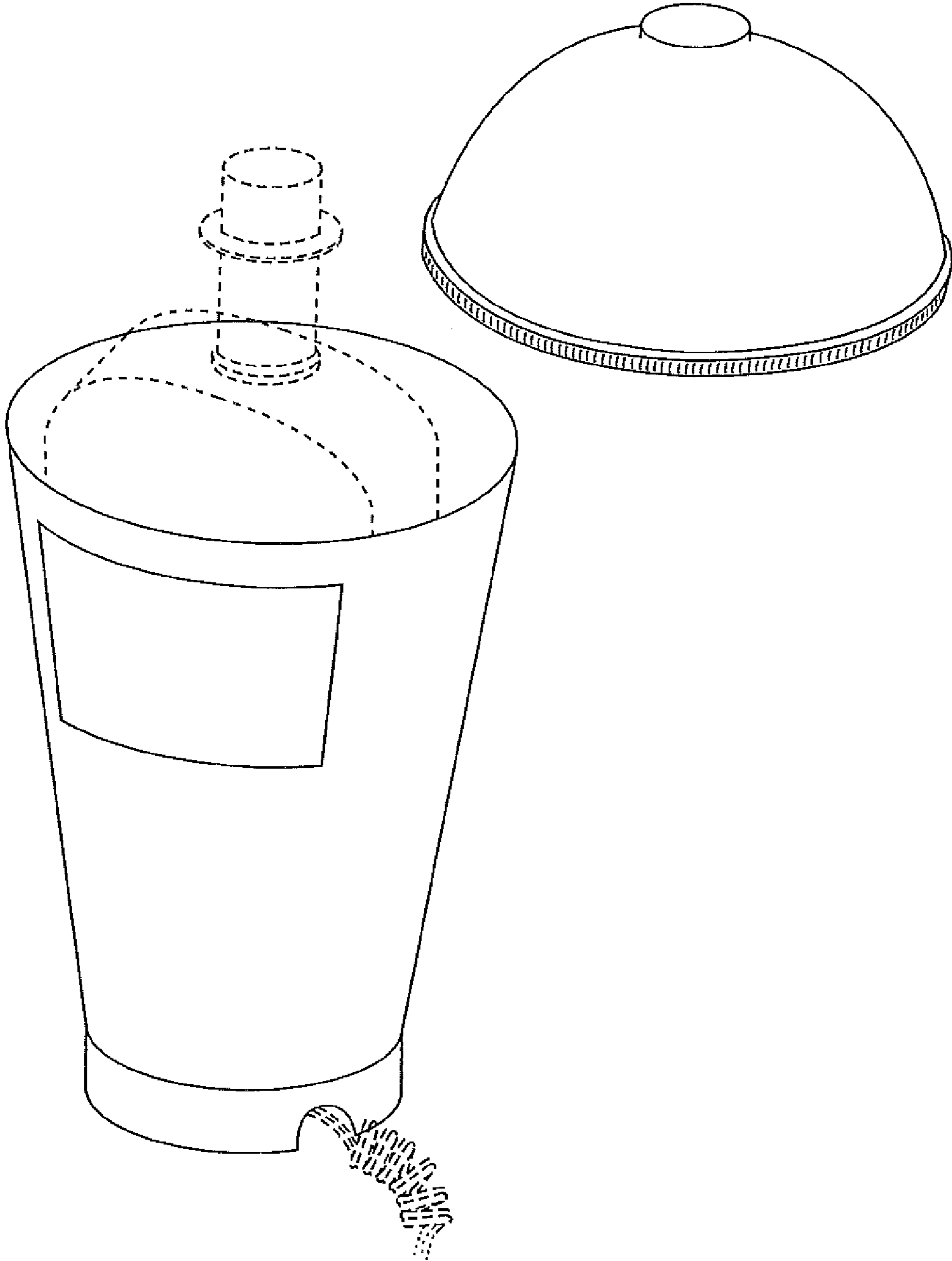


FIG. 3

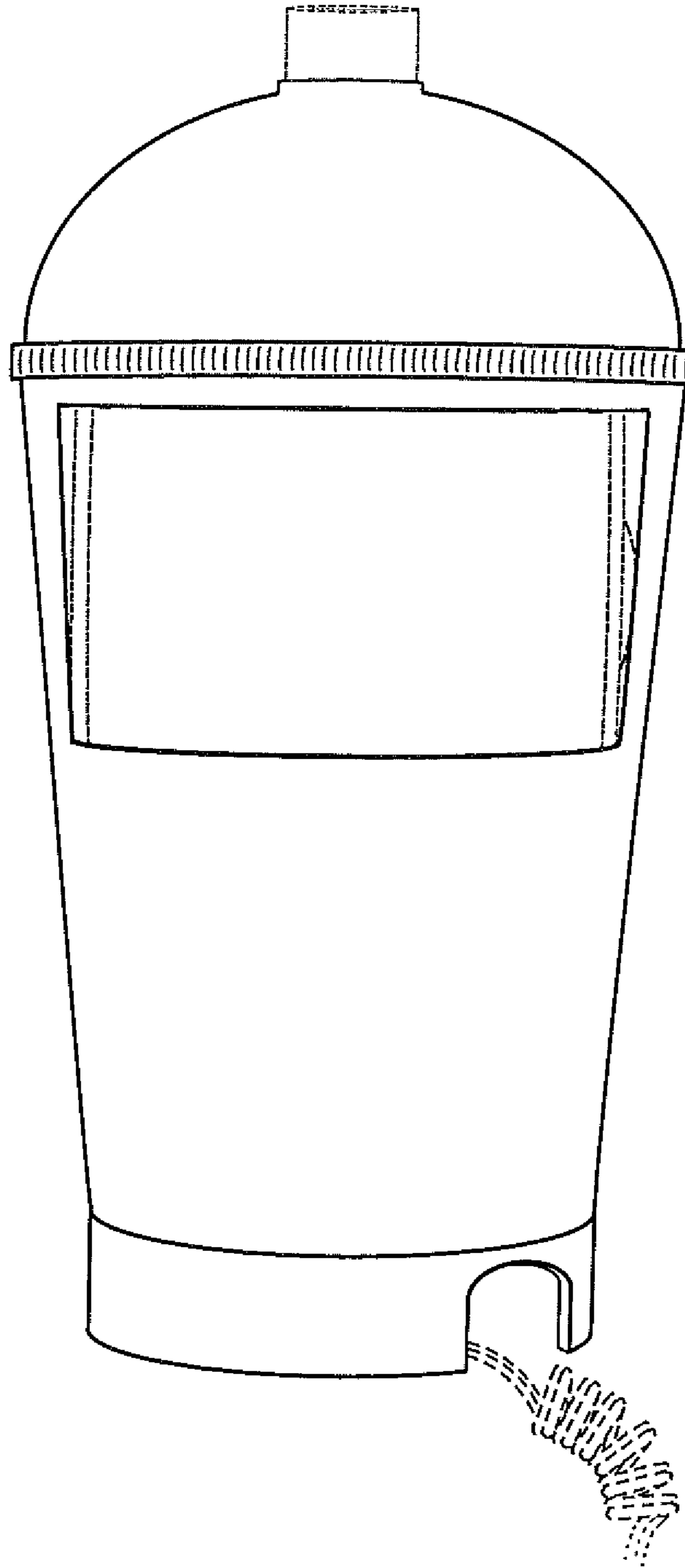


FIG. 4

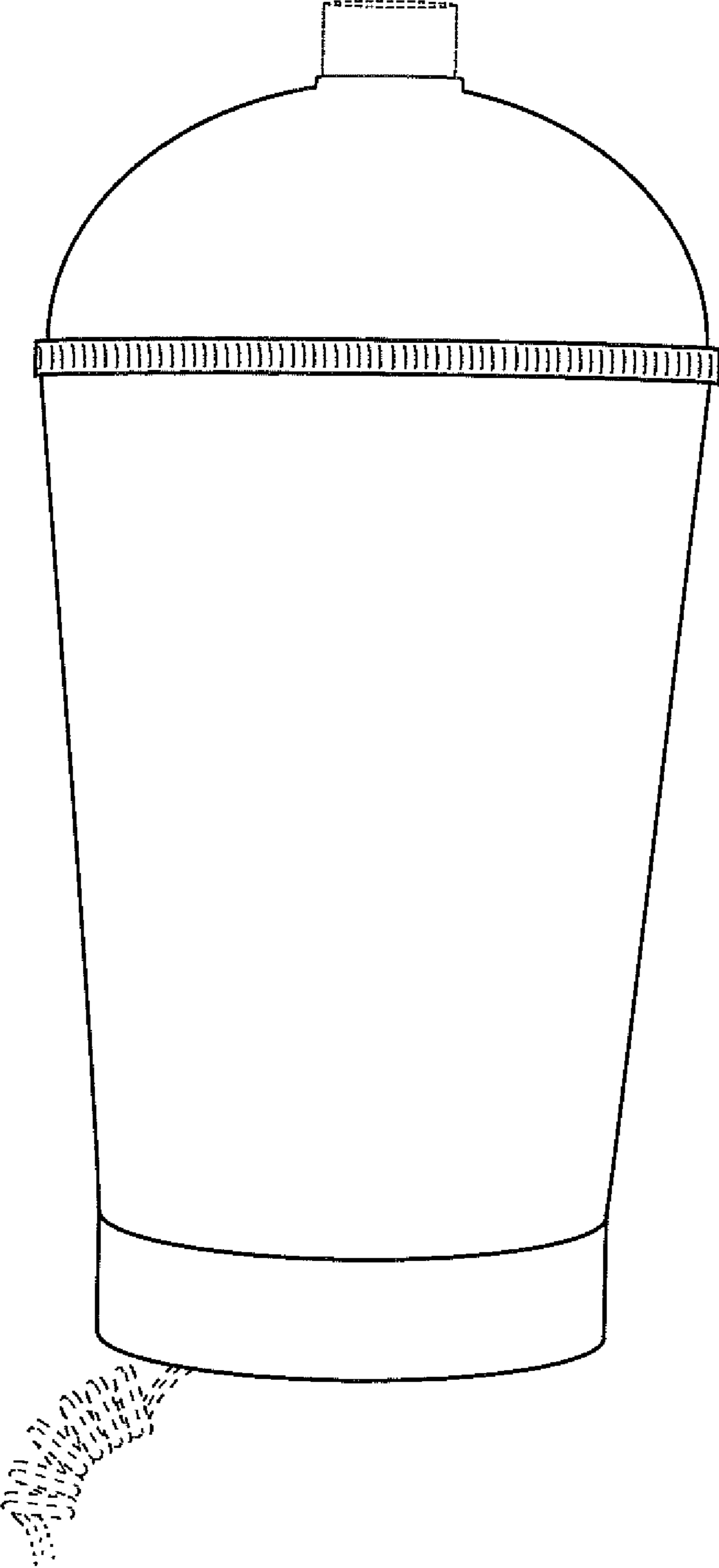


FIG. 5

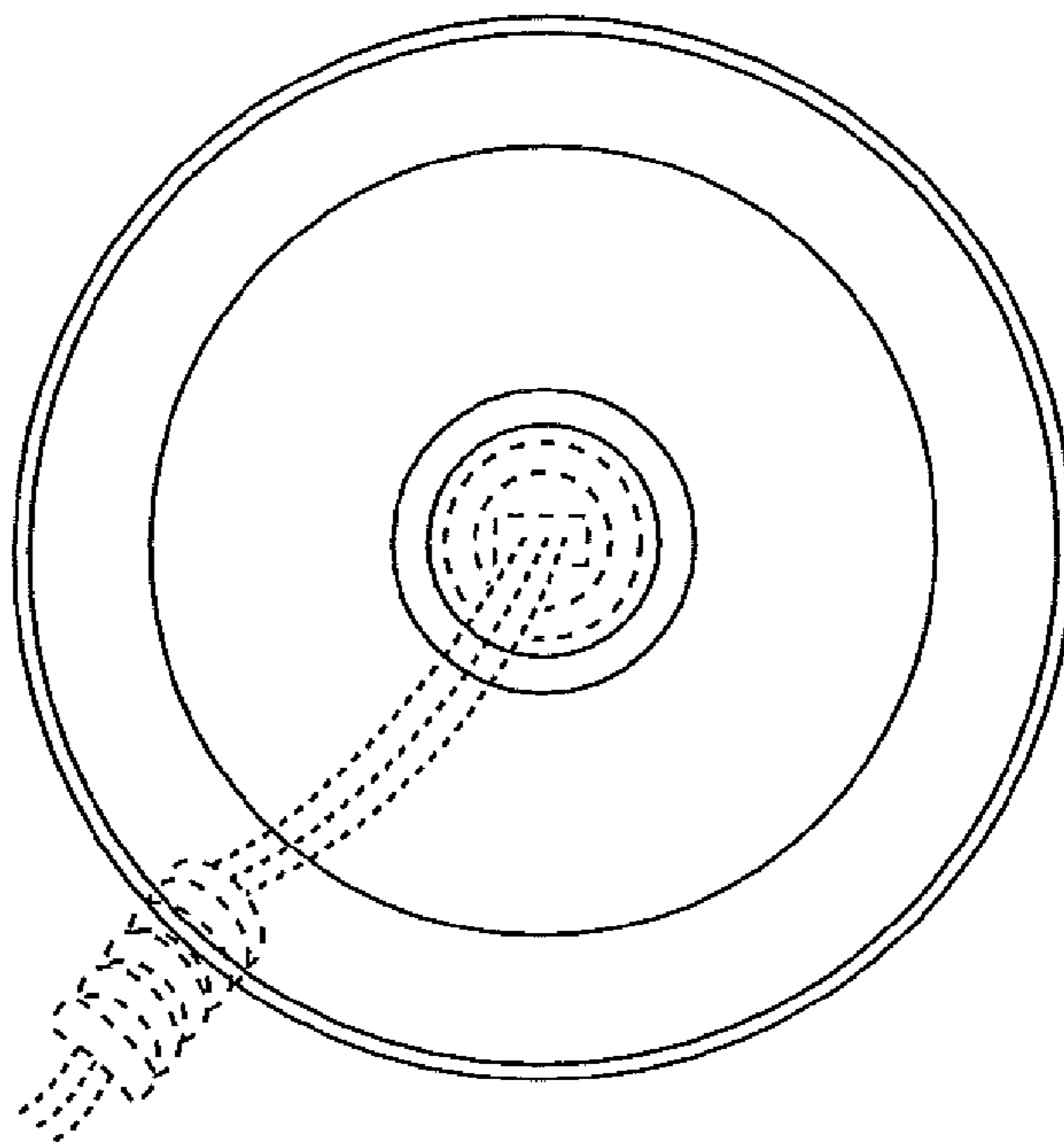


FIG. 6

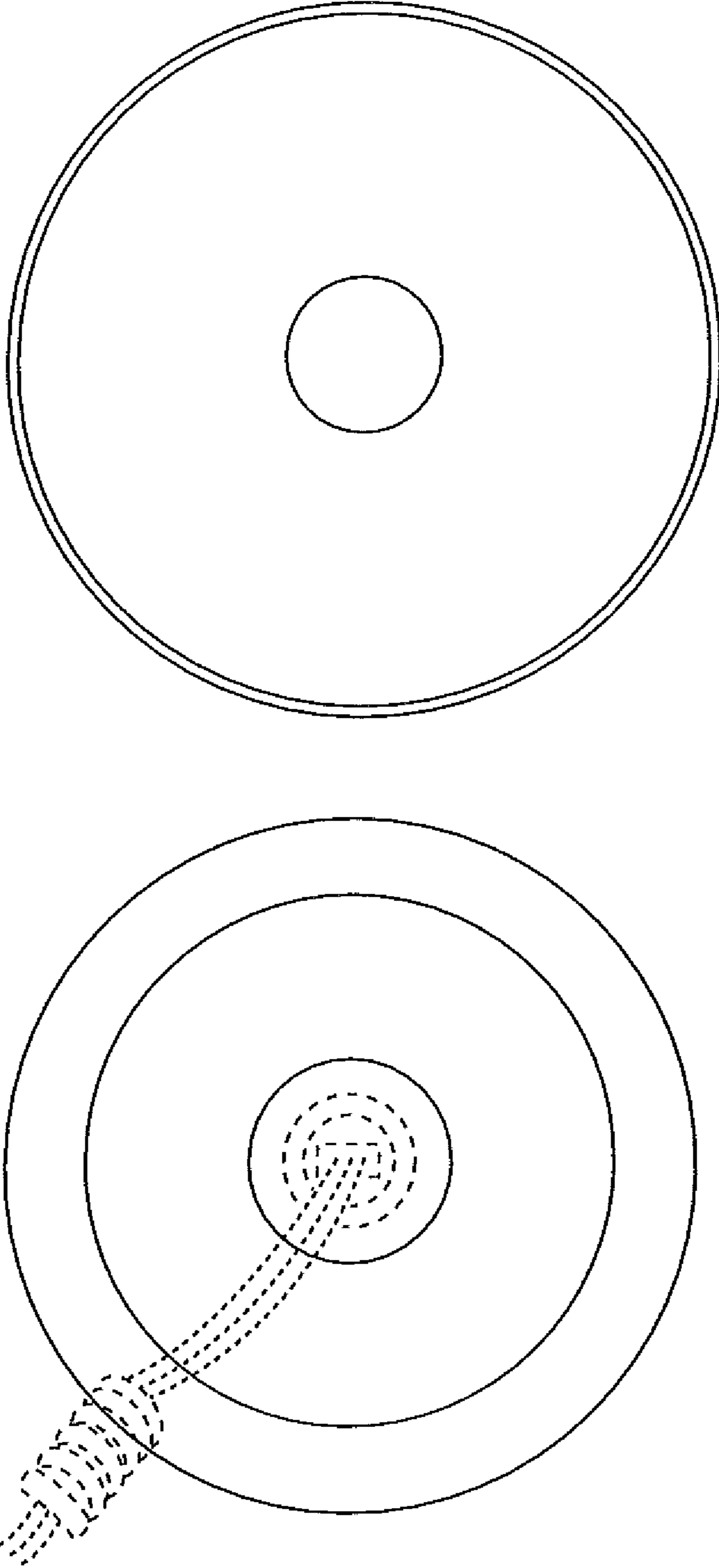


FIG. 7

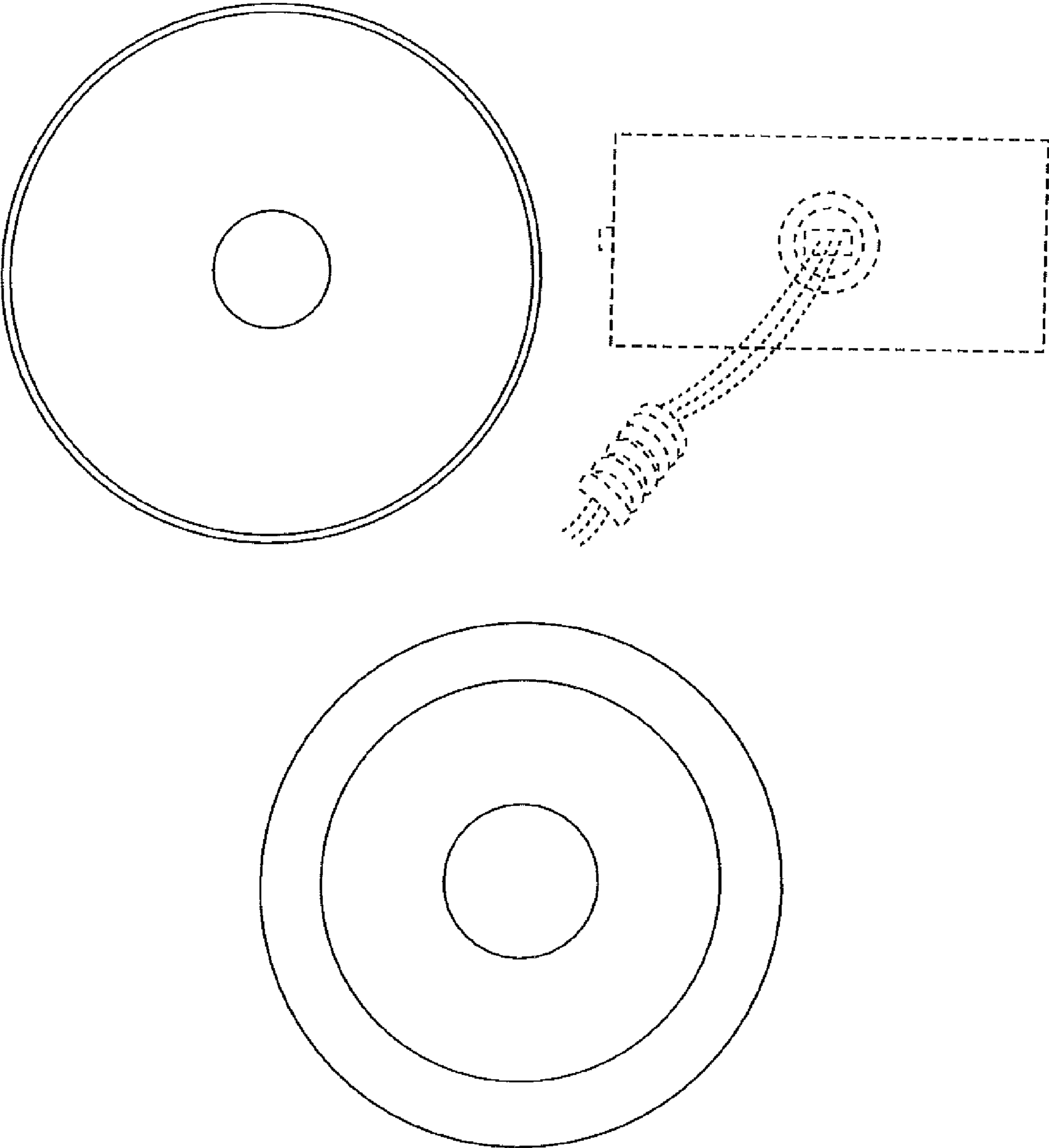


FIG. 8

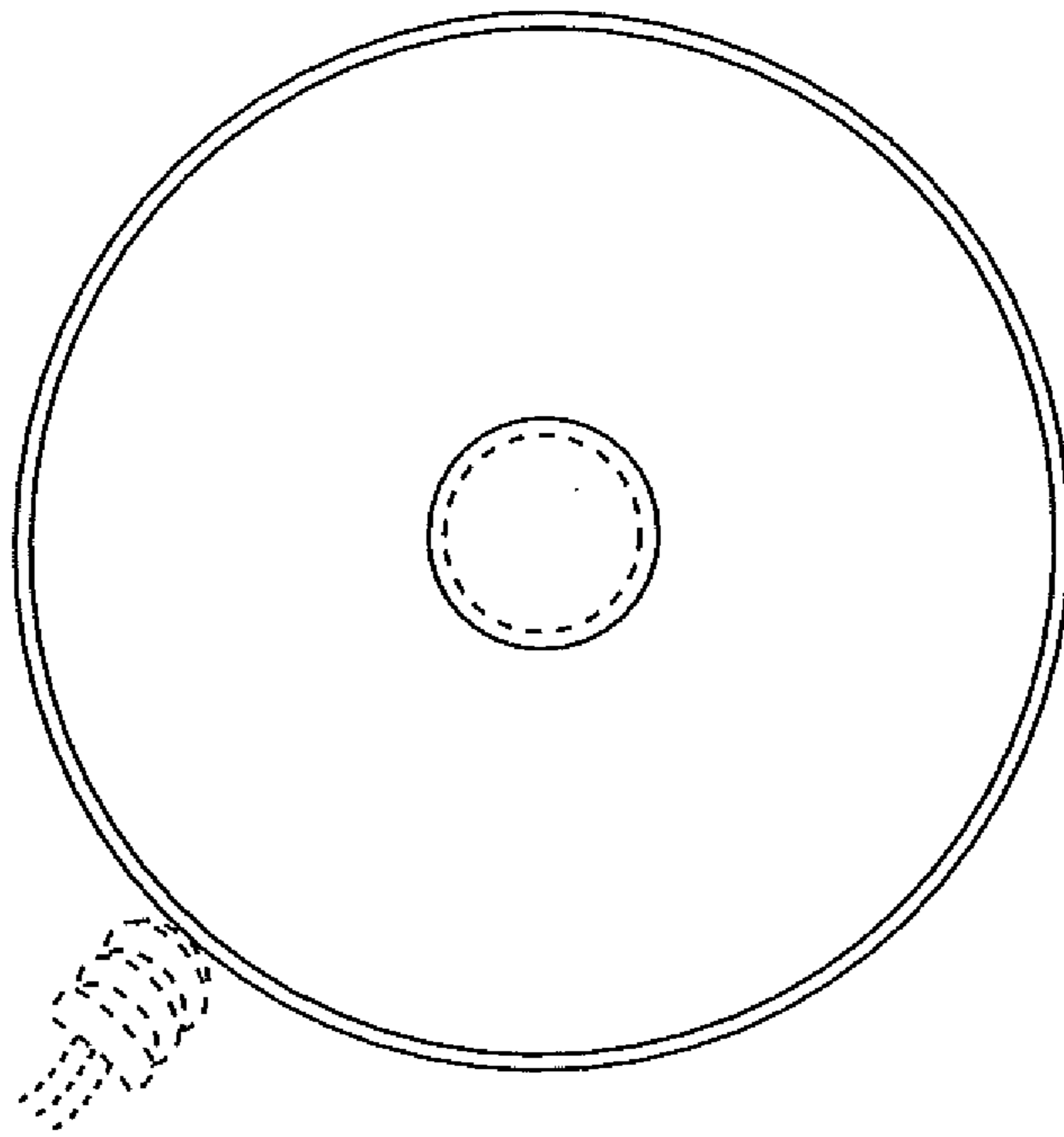


FIG. 9

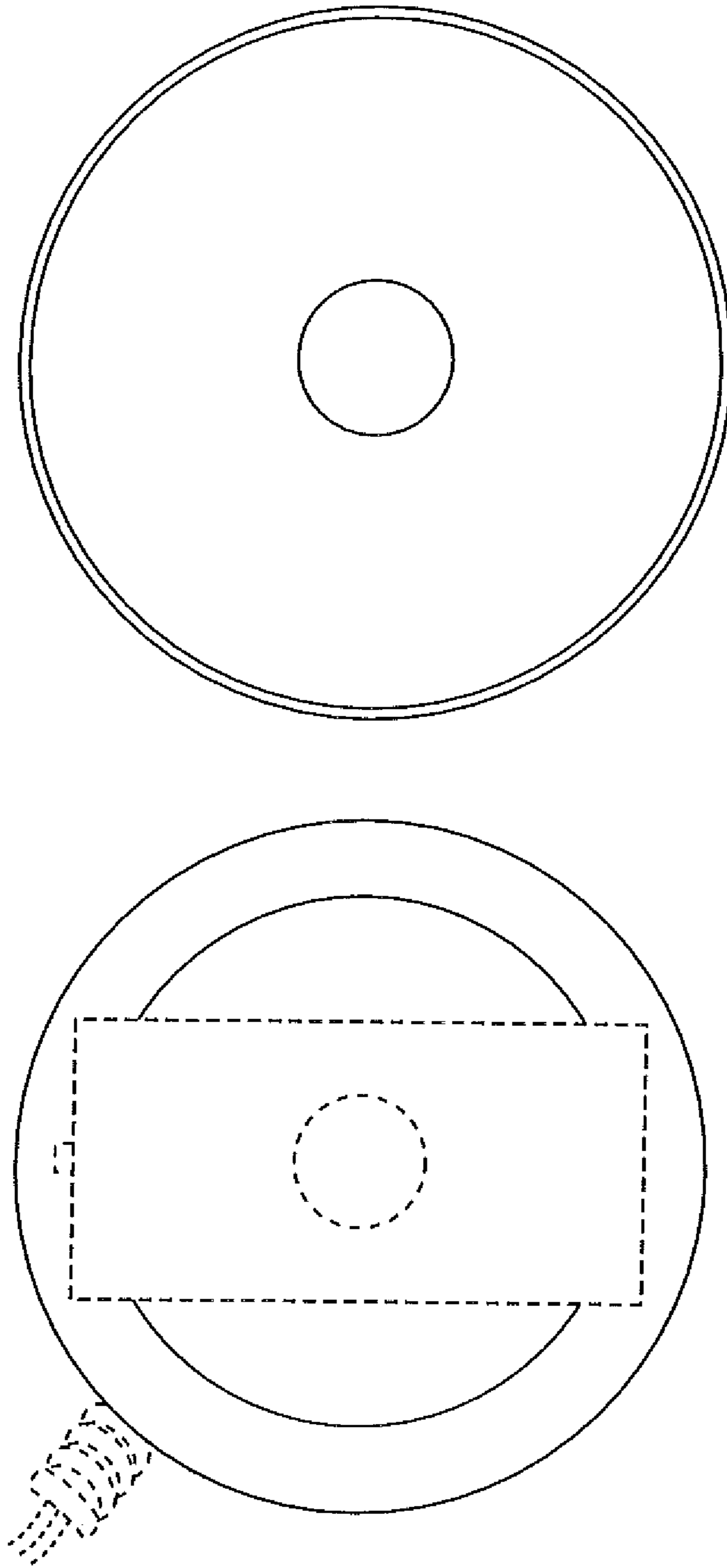


FIG. 10

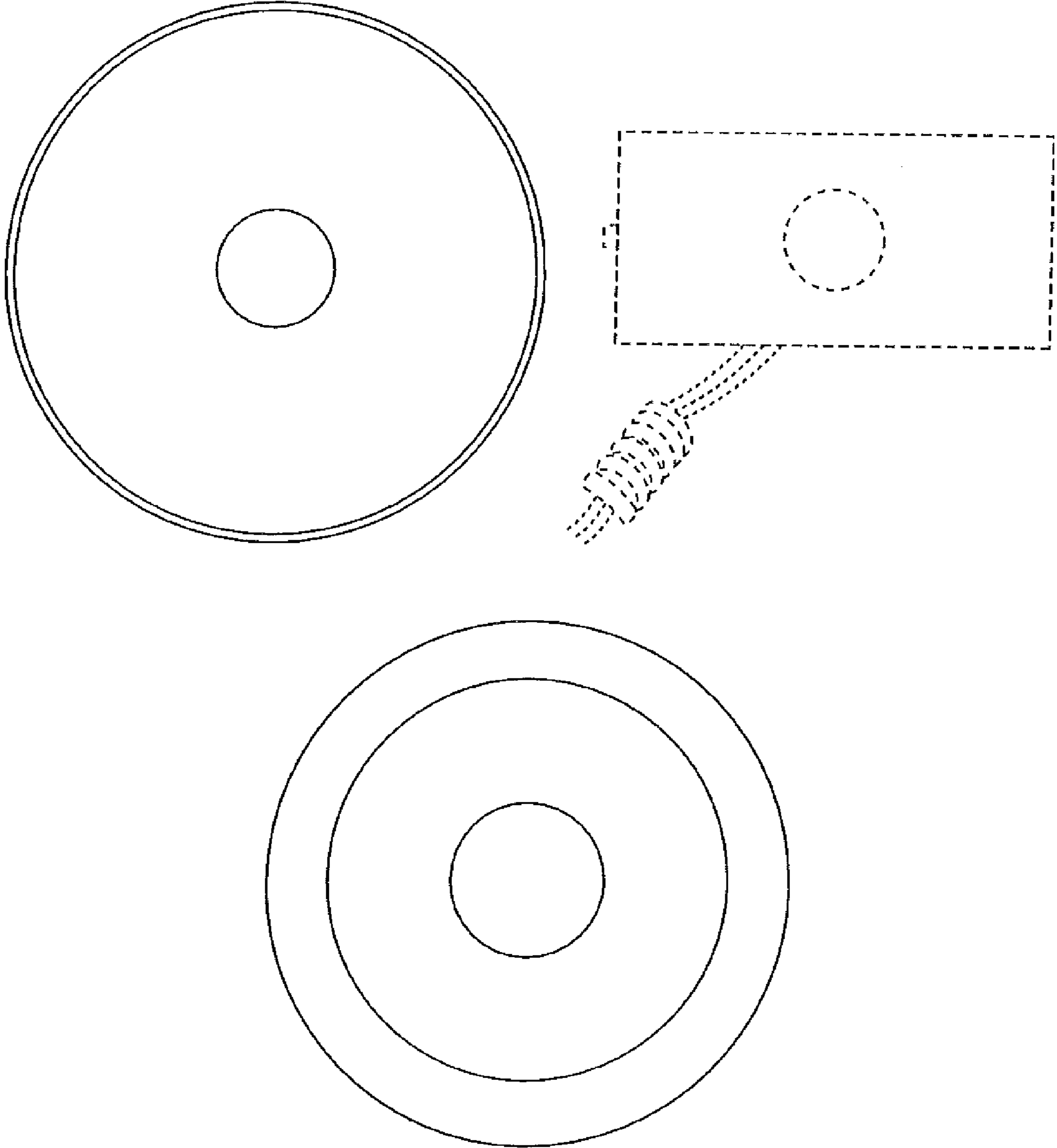


FIG. 11

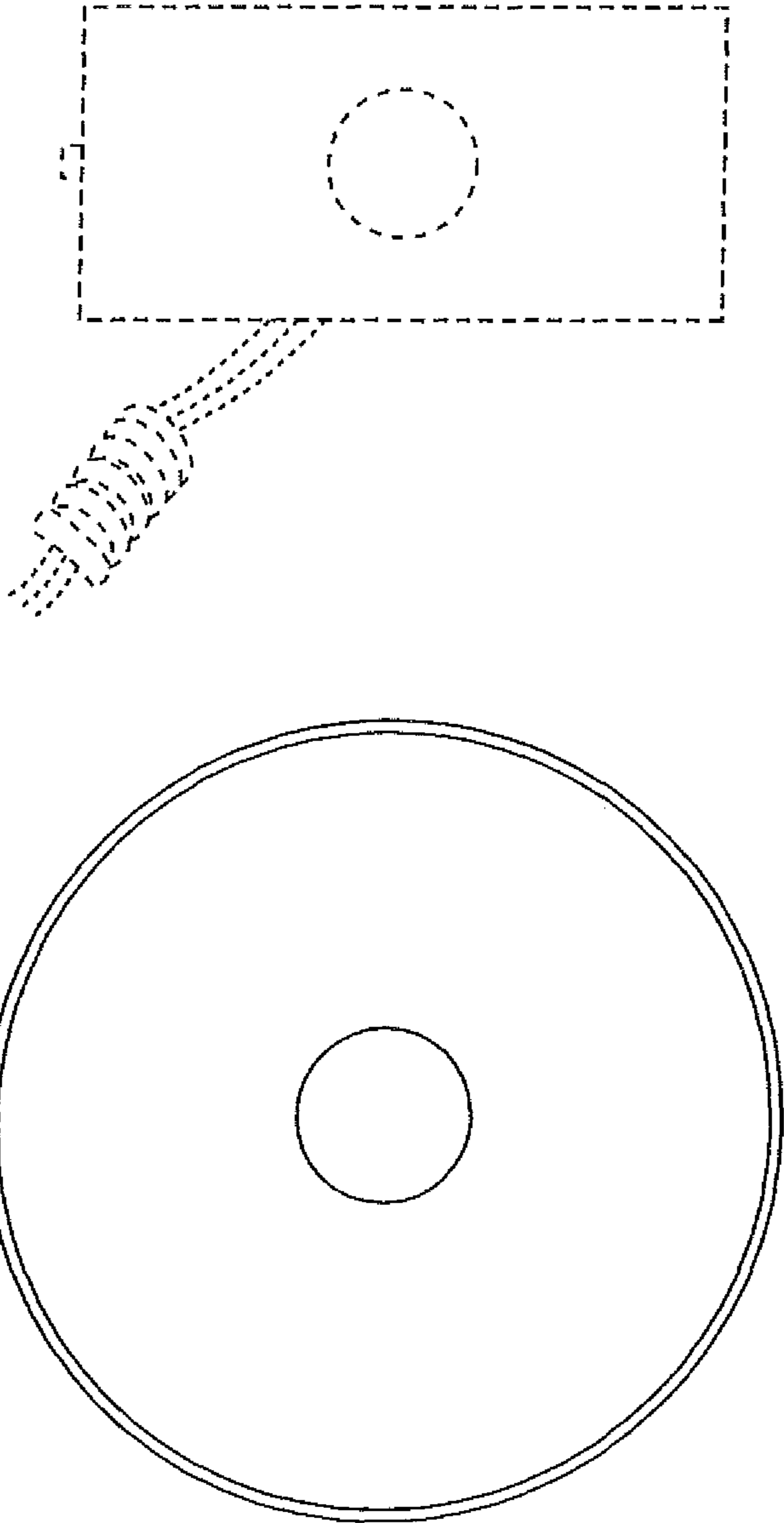


FIG. 12

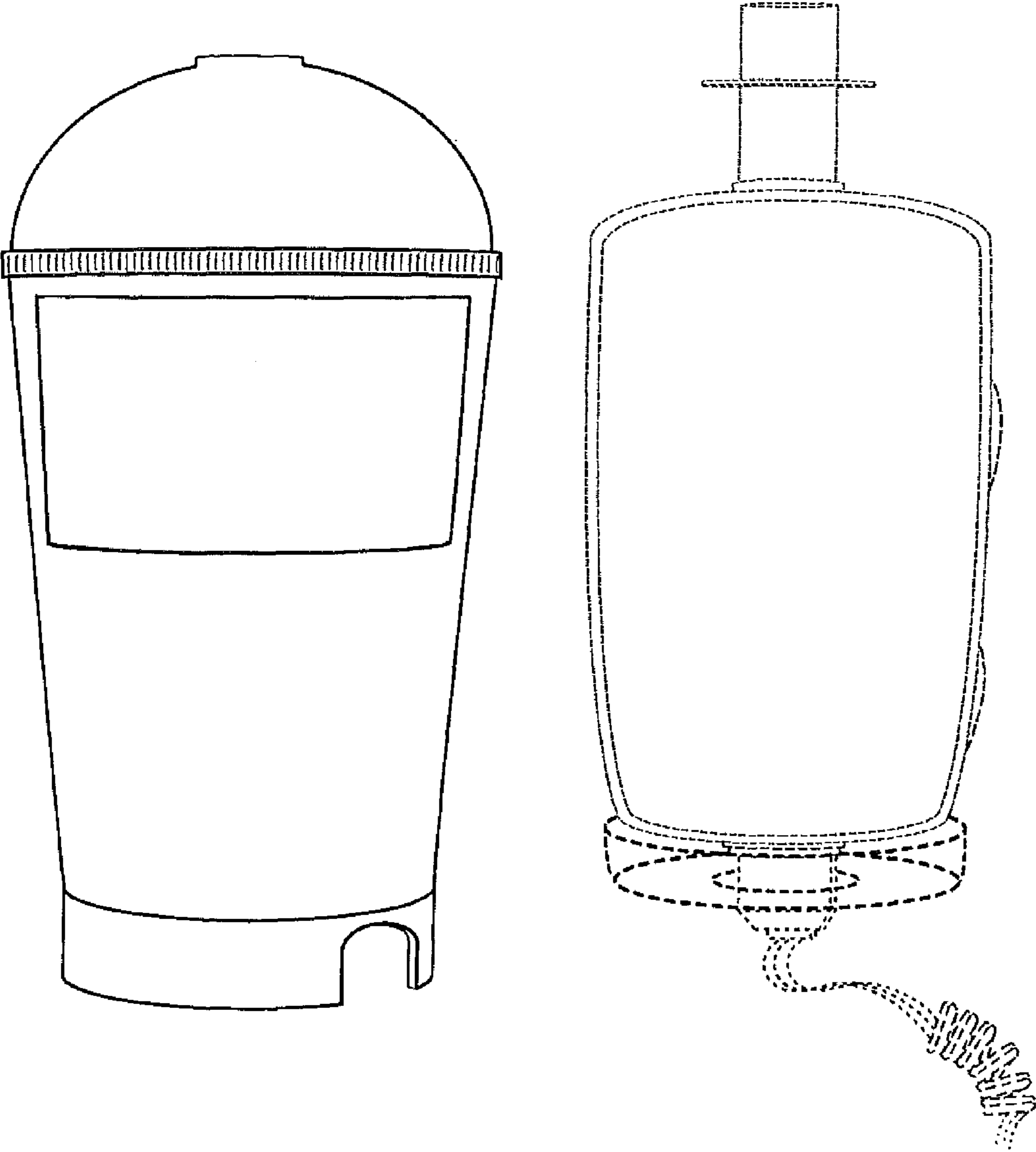


FIG. 13

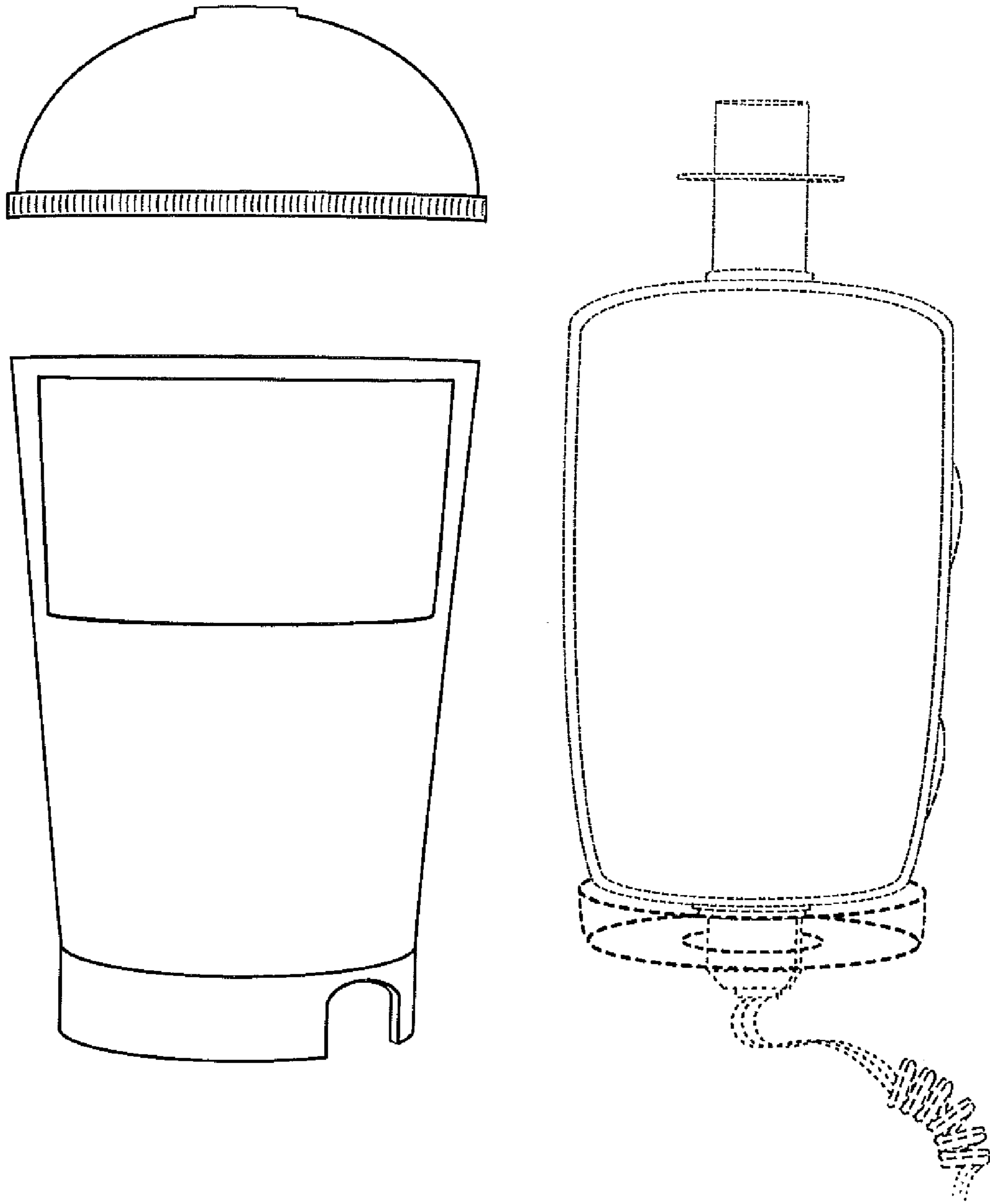


FIG. 14

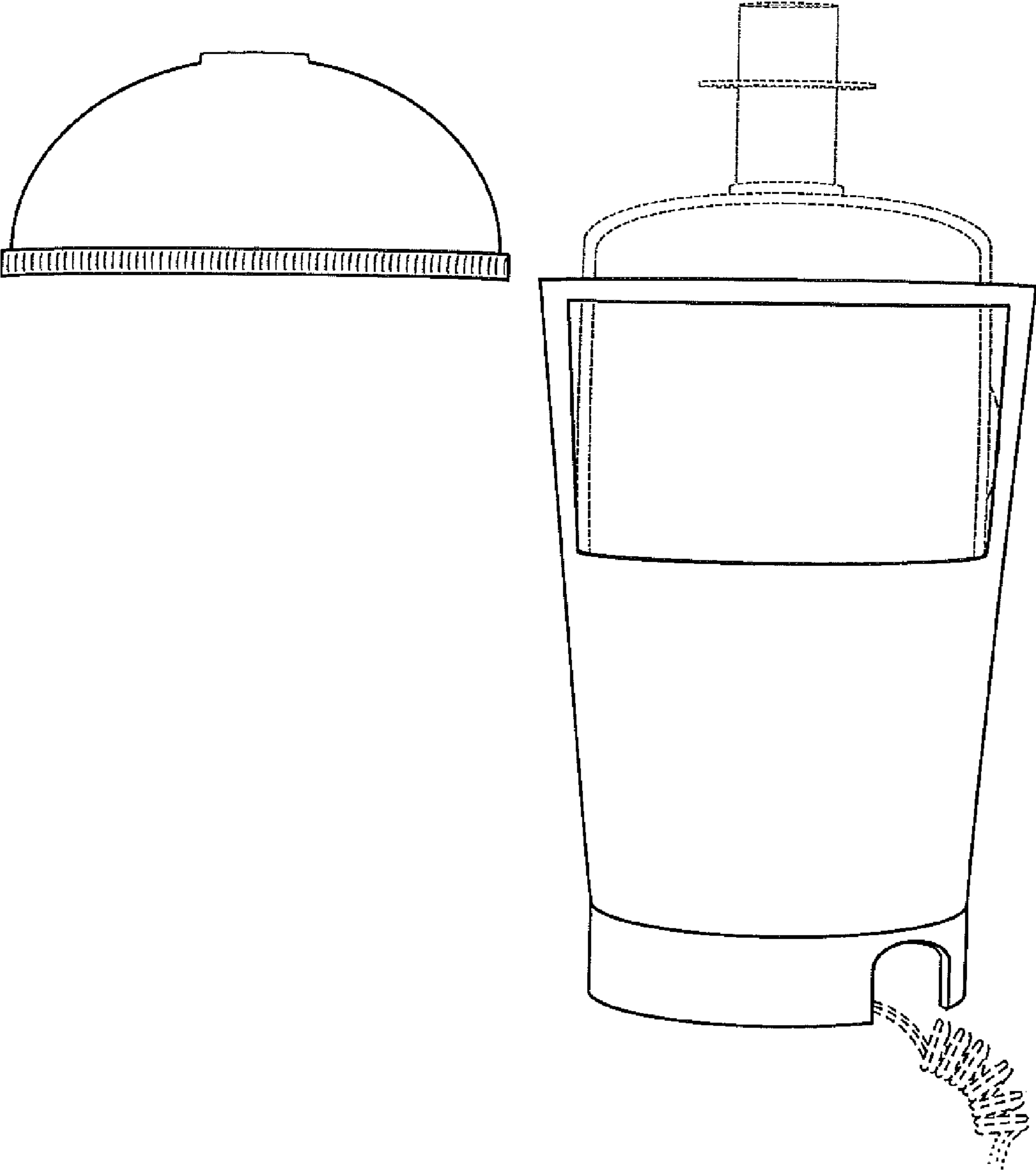


FIG. 15

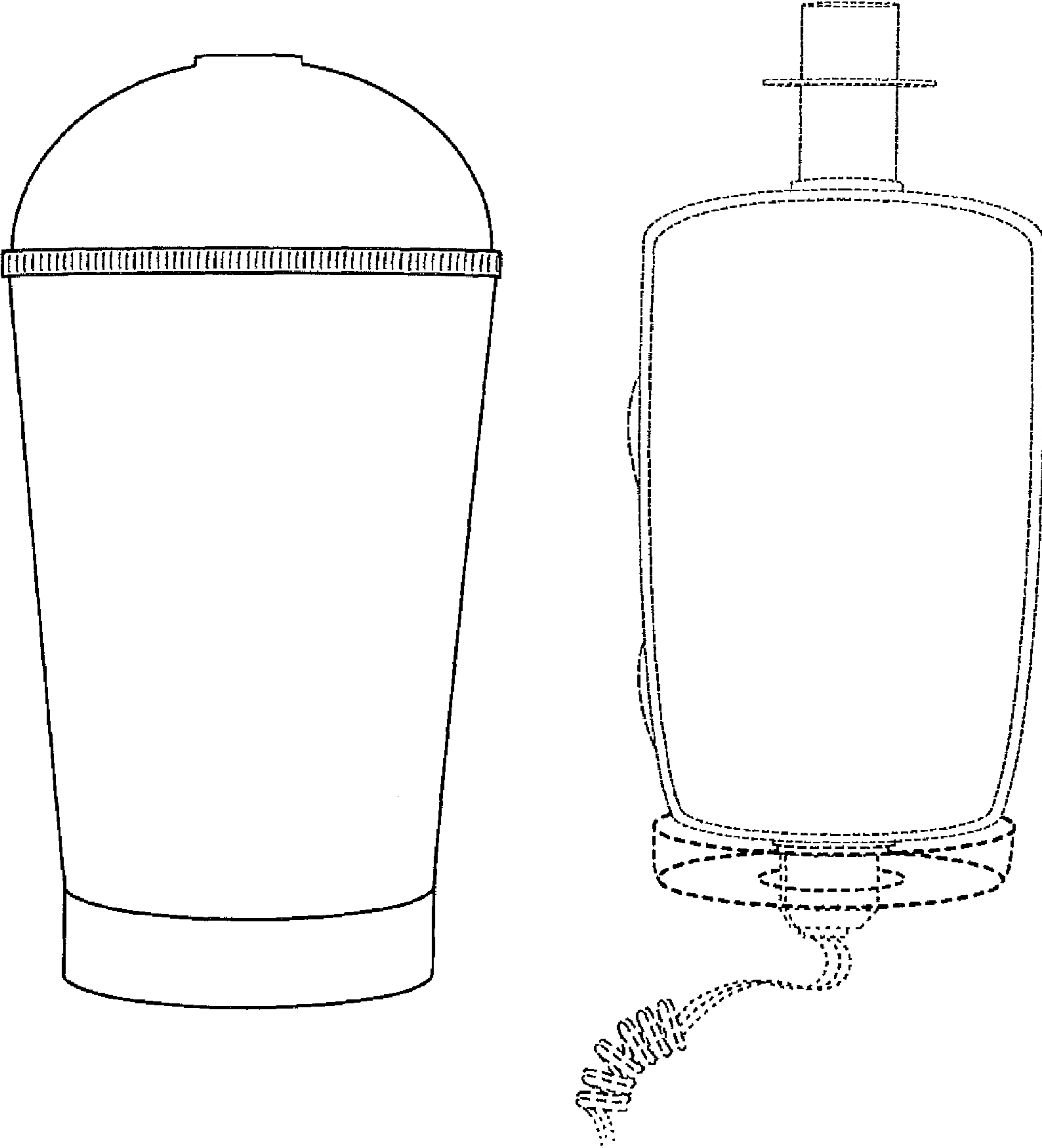


FIG. 16

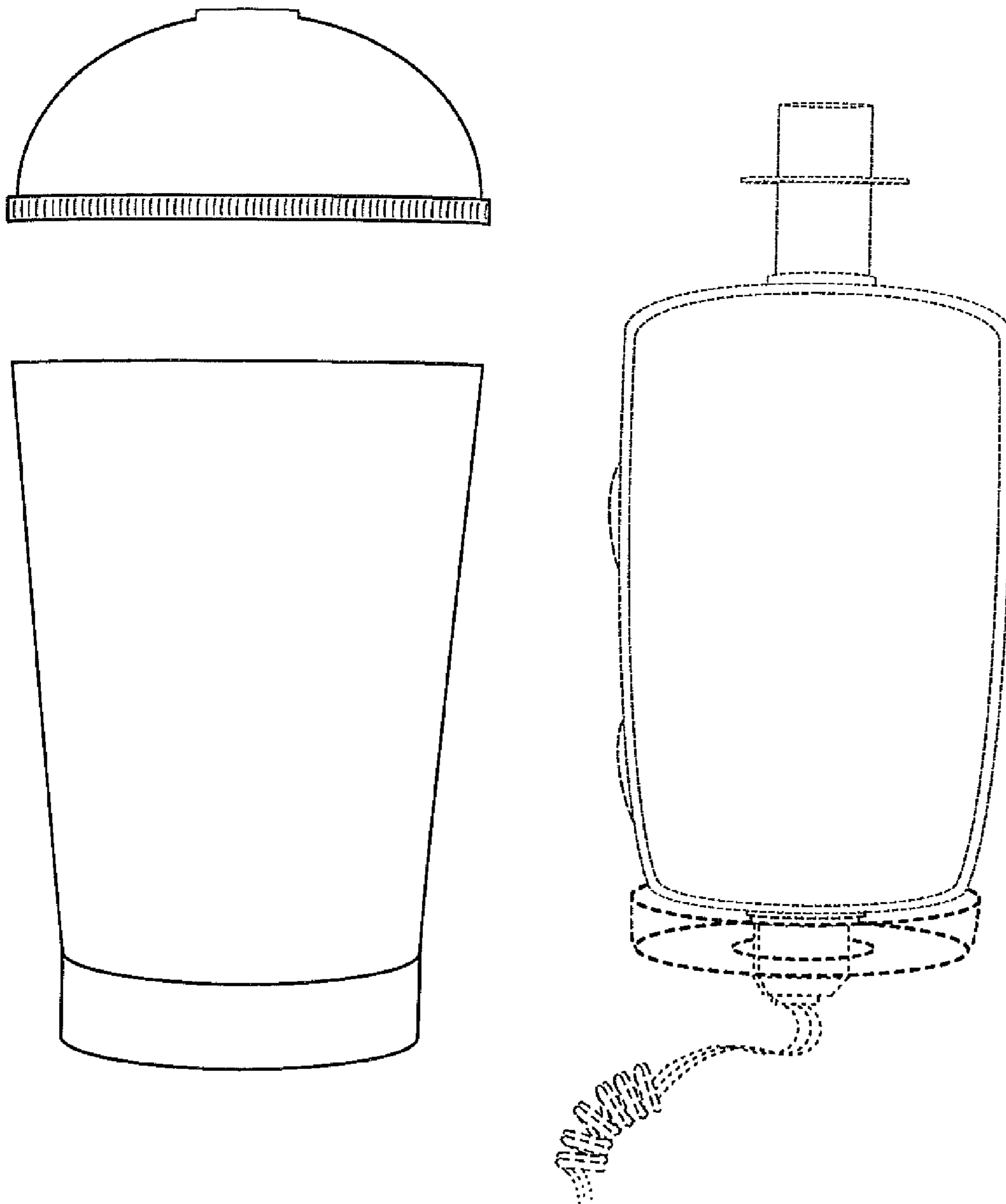


FIG. 17

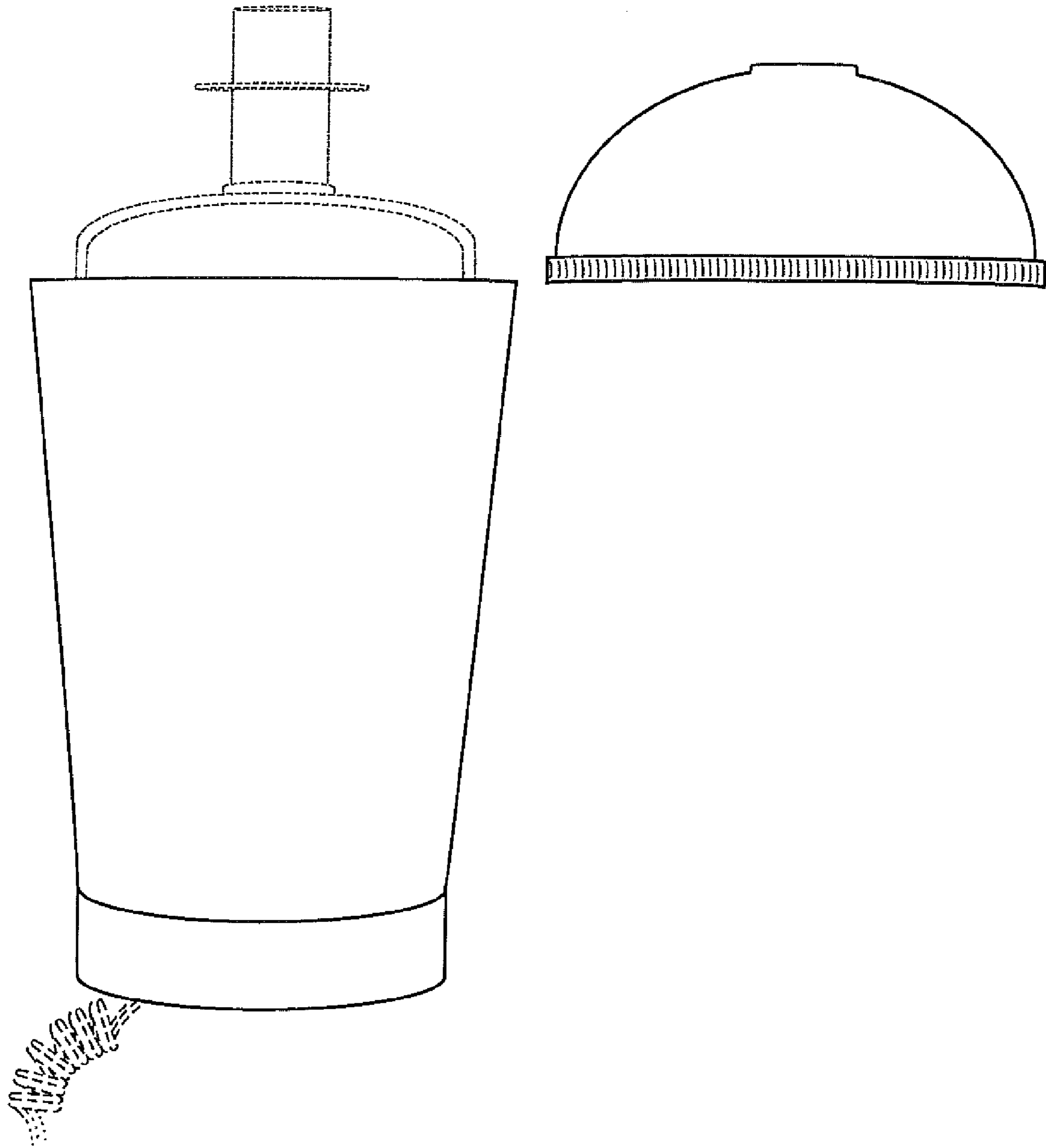


FIG. 18

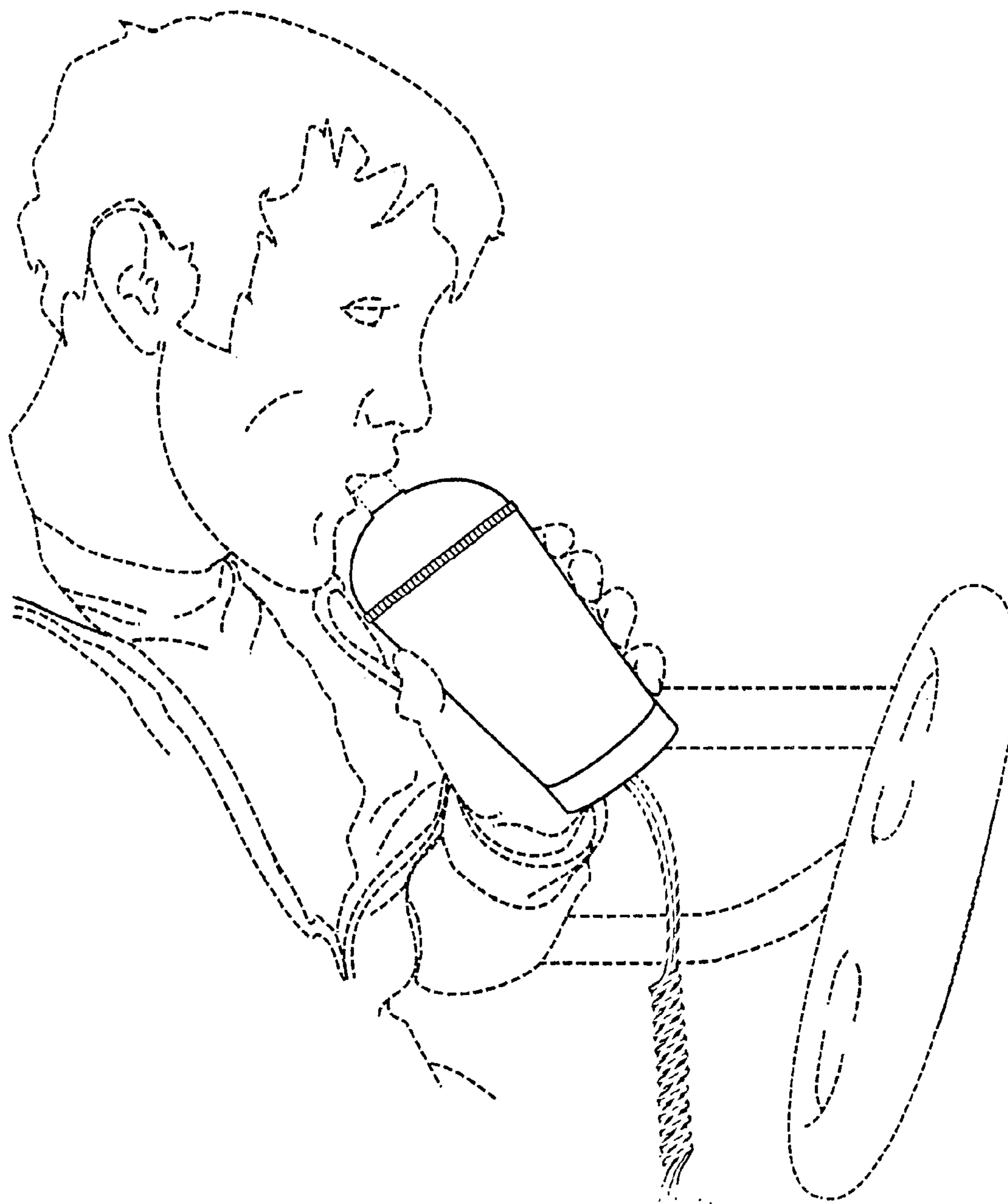


FIG. 19