



US00D701682S

(12) **United States Design Patent**  
**Spring**

(10) **Patent No.:** **US D701,682 S**

(45) **Date of Patent:** **\*\* Apr. 1, 2014**

(54) **FOOTWEAR**

(71) Applicant: **Sorel Corporation**, Portland, OR (US)

(72) Inventor: **Angie Spring**, Portland, OR (US)

(73) Assignee: **Sorel Corporation**, Portland, OR (US)

(\*\*) Term: **14 Years**

(21) Appl. No.: **29/470,303**

(22) Filed: **Oct. 18, 2013**

(51) **LOC (10) Cl.** ..... **02-04**

(52) **U.S. Cl.**  
USPC ..... **D2/911**

(58) **Field of Classification Search**  
USPC ..... D2/896, 900, 909-911, 946, 969, 970;  
36/83, 84, 87, 1.5, 2 R, 109, 3 A, 7.1 R,  
36/45, 52, 112, 100  
See application file for complete search history.

(56) **References Cited**

**U.S. PATENT DOCUMENTS**

D105,890 S *	8/1937	Mondl	.....	D2/911
D106,649 S *	10/1937	Casey	.....	D2/911
D127,993 S *	7/1941	Hard	.....	D2/911
D133,632 S *	9/1942	Bingham, Jr.	.....	D2/911

2,458,952 A *	1/1949	Malluk	.....	36/45
D173,138 S *	10/1954	Bingham, Jr.	.....	D2/911
D173,932 S *	2/1955	Bingham, Jr.	.....	D2/911
D638,213 S *	5/2011	Funck	.....	D2/970
D640,450 S *	6/2011	Exton	.....	D2/910

\* cited by examiner

*Primary Examiner* — Robert M Spear

*Assistant Examiner* — Rashida C McCoy

(74) *Attorney, Agent, or Firm* — Schwabe, Williamson & Wyatt, P.C.

(57) **CLAIM**

I claim the ornamental design for footwear, as shown and described.

**DESCRIPTION**

FIG. 1 is a perspective view of footwear, showing my new design;

FIG. 2 is a left side view thereof;

FIG. 3 is a right side view thereof;

FIG. 4 is a front view thereof;

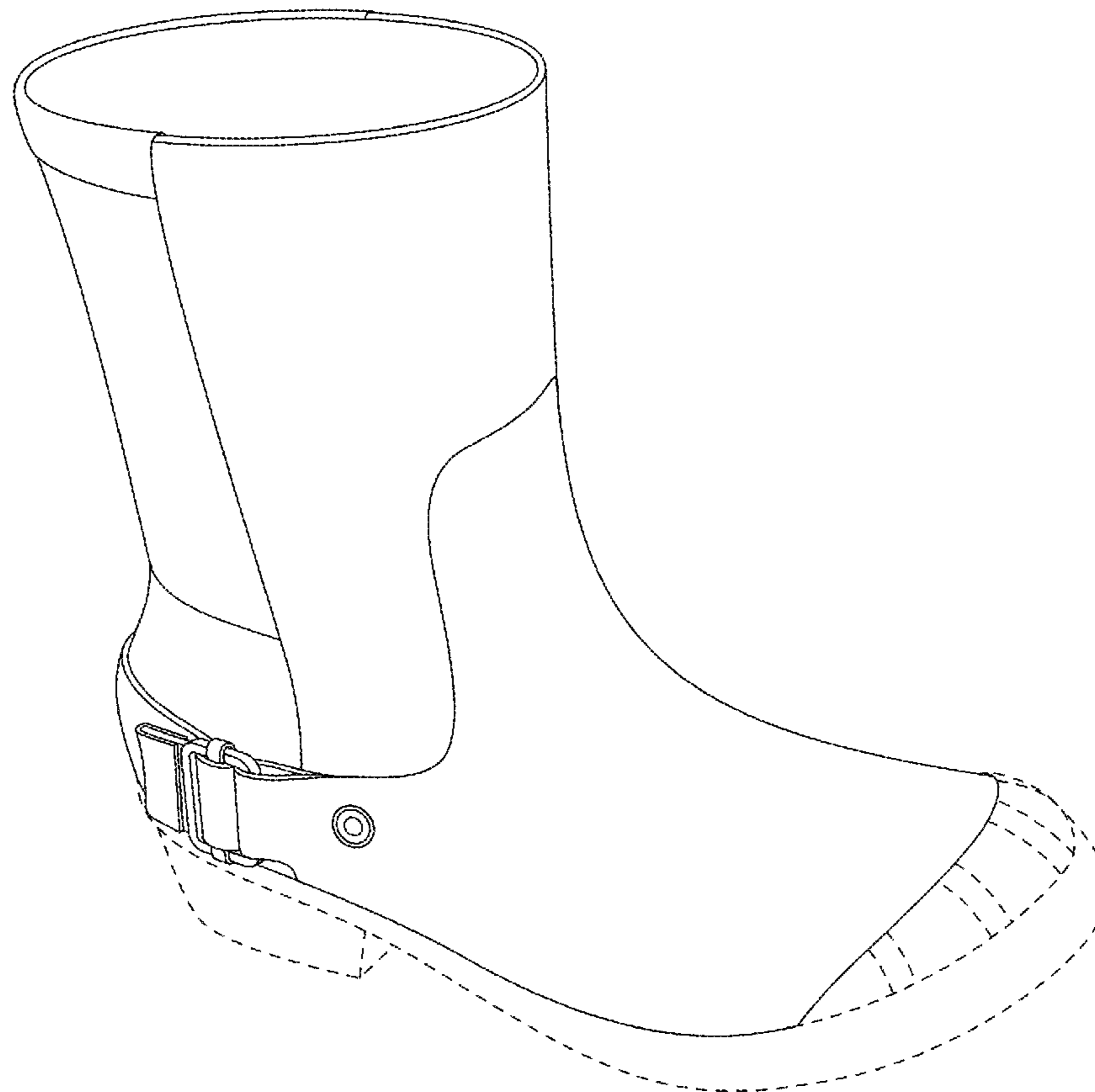
FIG. 5 is a back view thereof;

FIG. 6 is a top view thereof; and,

FIG. 7 is a bottom view thereof.

The dashed lines are included for illustrating environmental structure and form no part of the claimed design.

**1 Claim, 5 Drawing Sheets**



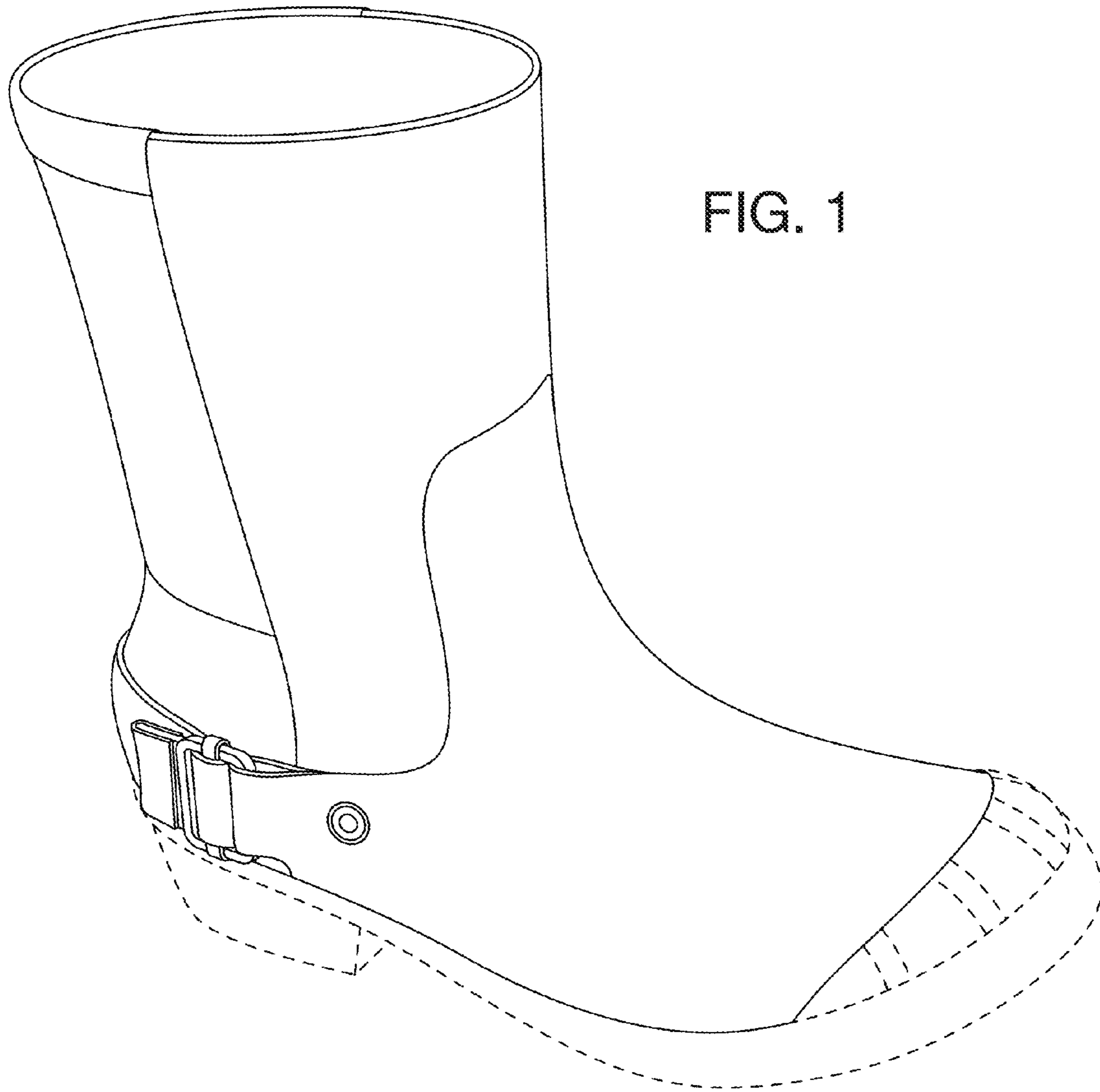


FIG. 1

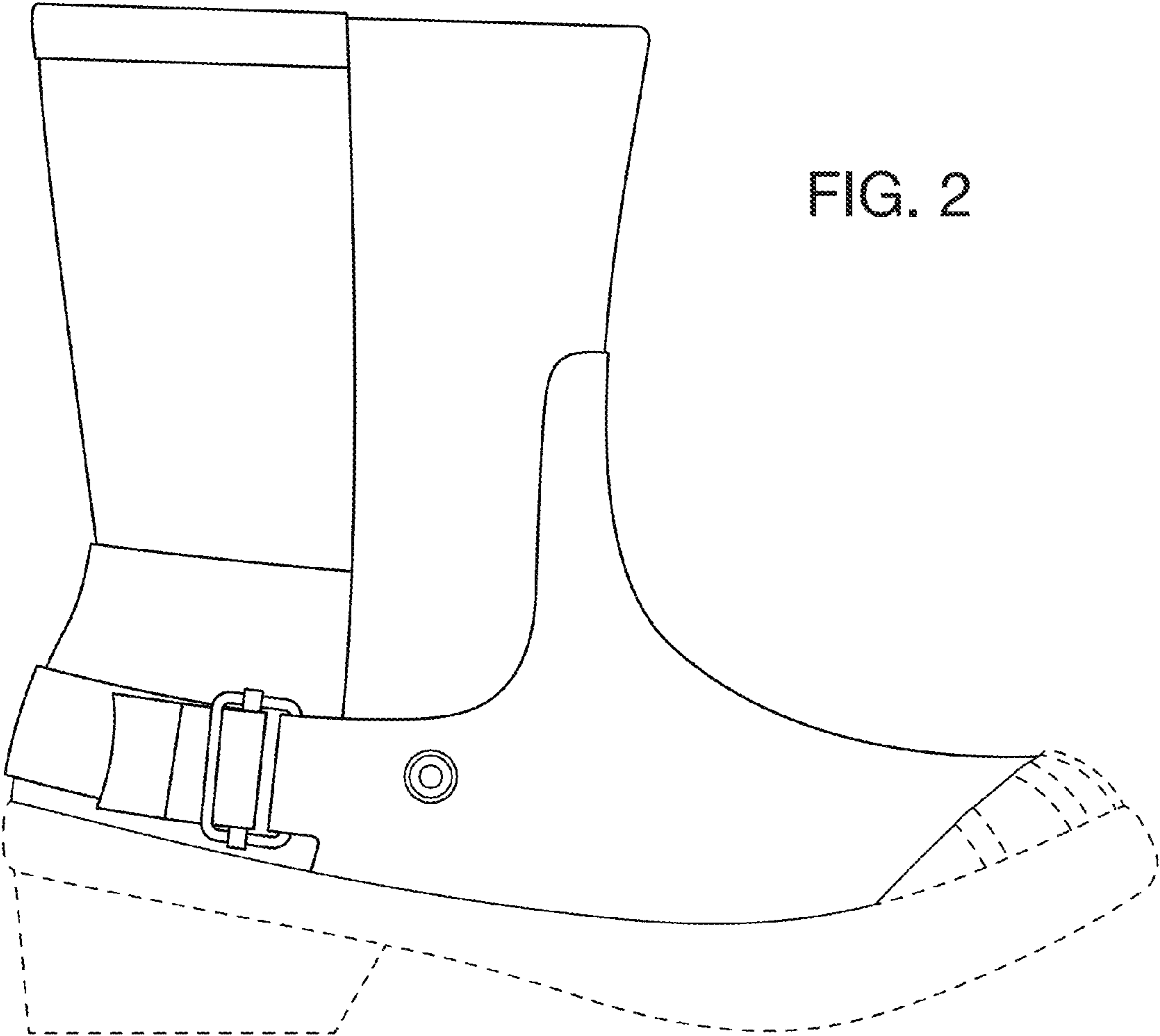
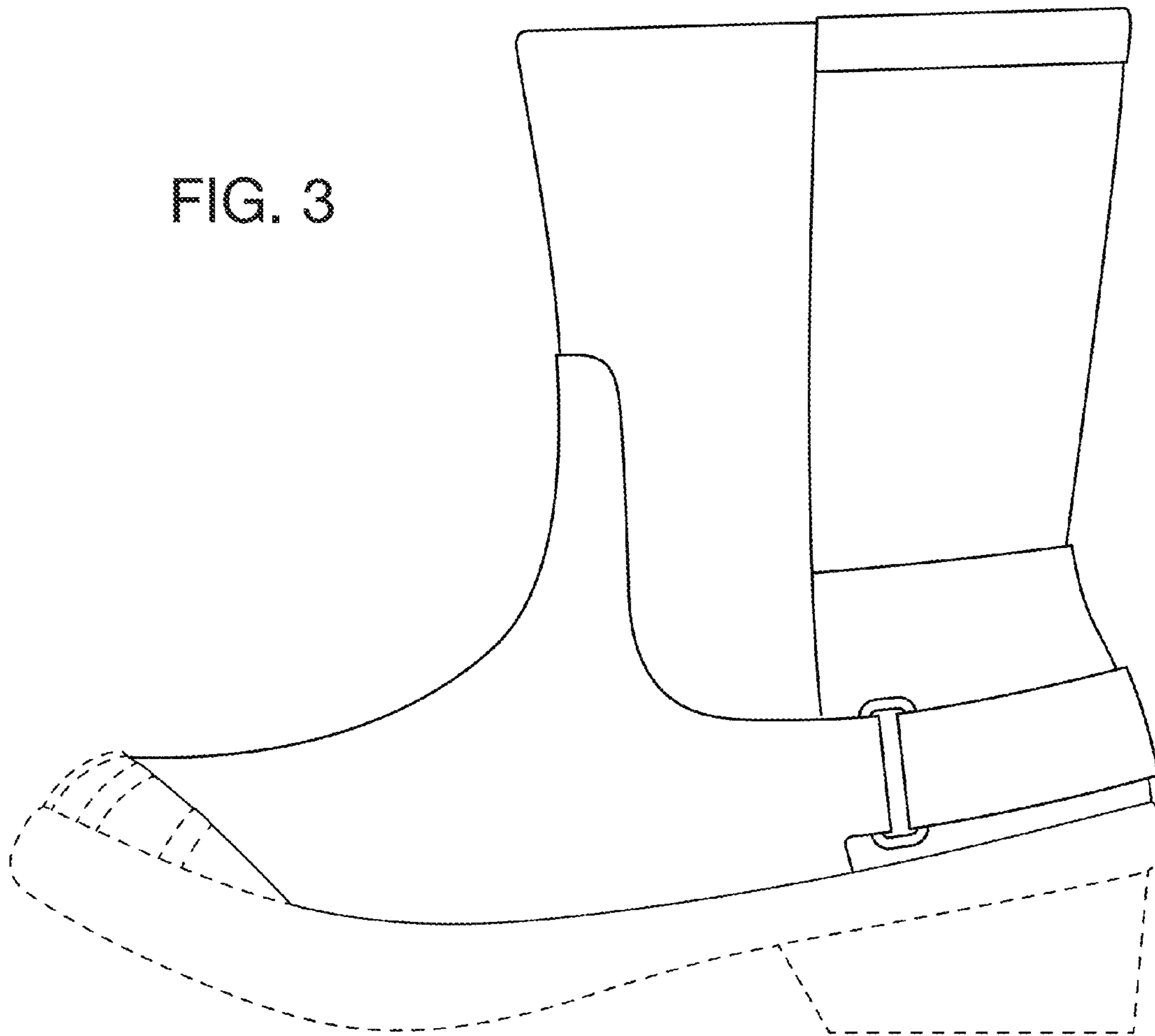


FIG. 2

FIG. 3



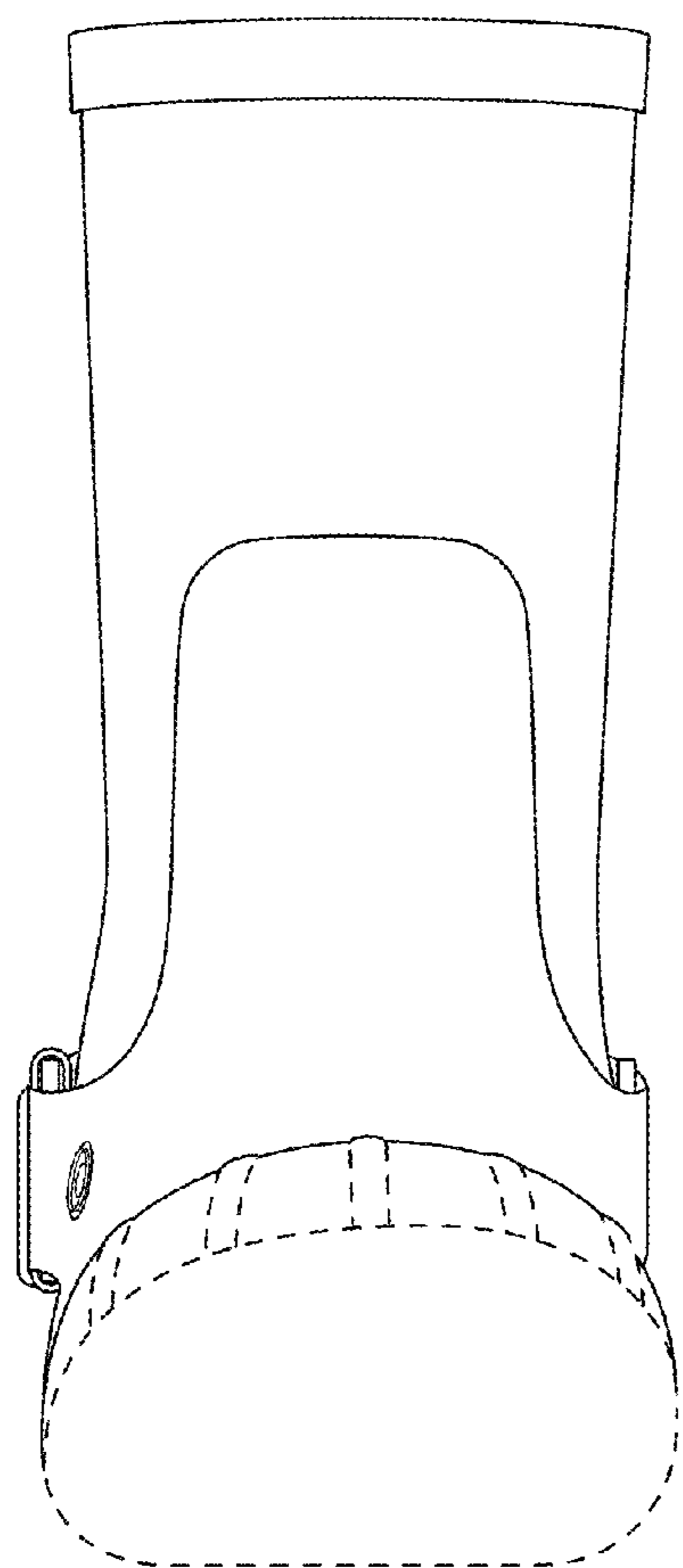
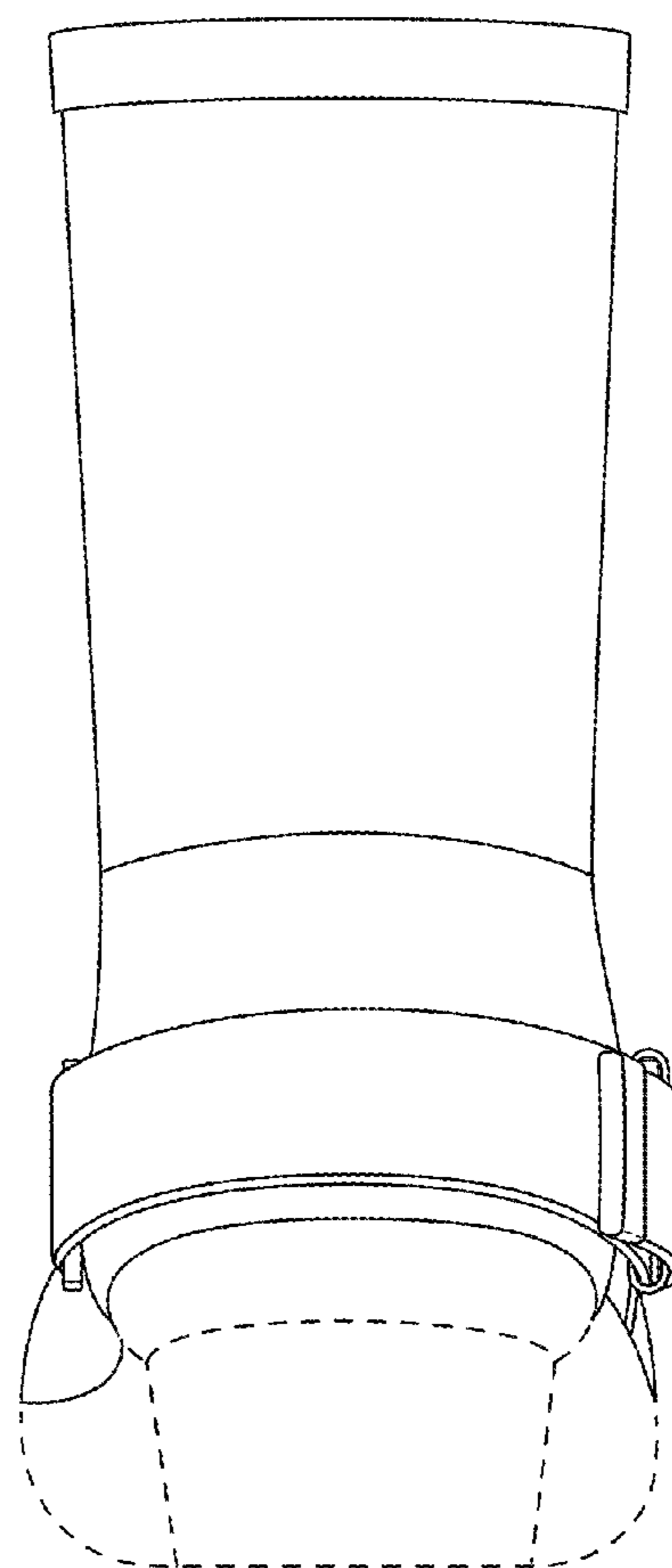


FIG. 4

FIG. 5



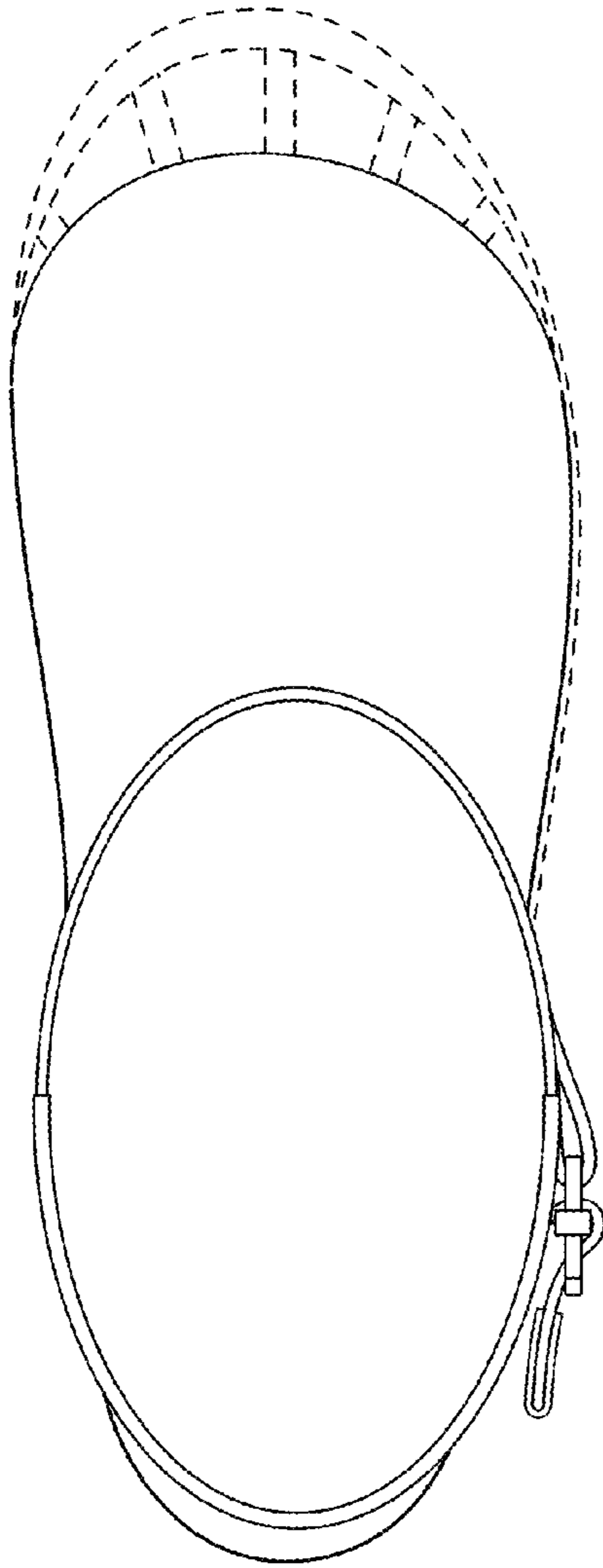


FIG. 6

FIG. 7

