



US00D701676S

(12) **United States Design Patent**
Savage

(10) **Patent No.:** **US D701,676 S**

(45) **Date of Patent:** **** Apr. 1, 2014**

(54) **SHORTS**

(75) Inventor: **Shannon Savage**, Vancouver (CA)

(73) Assignee: **Lululemon Athletica Canada Inc.**,
Vancouver (CA)

(**) Term: **14 Years**

(21) Appl. No.: **29/403,971**

(22) Filed: **Oct. 13, 2011**

(51) **LOC (10) Cl.** **02-02**

(52) **U.S. Cl.**
USPC **D2/738**

(58) **Field of Classification Search**
USPC D2/731, 738, 742; 2/79, 227, 228, 238
See application file for complete search history.

(56) **References Cited**

U.S. PATENT DOCUMENTS

3,945,051	A *	3/1976	Burkard	2/400
D266,540	S *	10/1982	Nacinovich	D2/738
D403,487	S *	1/1999	Crupi et al.	D2/731
D467,055	S *	12/2002	Lyden	D2/738
D532,958	S *	12/2006	Kent	D2/742
D591,928	S *	5/2009	Kirsch et al.	D2/712
D615,279	S *	5/2010	Savage	D2/731
7,941,871	B1 *	5/2011	Jorgensen	2/238
D654,661	S *	2/2012	Savage	D2/742
D660,553	S *	5/2012	Farina et al.	D2/742
D673,756	S *	1/2013	Agnew et al.	D2/742
2006/0107443	A1 *	5/2006	DeRosa	2/228
2012/0117714	A1 *	5/2012	Peck et al.	2/228

OTHER PUBLICATIONS

Portland Running Company. <http://shop.portlandrunningcompany>.

com/moving-comfort-momentum-short-w/dp/51314. Copyright 2013. "Moving Comfort Momentum Short".*
Indiegogo. WOD Gear Athletics. <http://www.indiegogo.com/projects/wod-gear-athletics-premium-fitness-apparel-made-in-the-u-s>. Copyright 2013. Women's Running Shorts.*

* cited by examiner

Primary Examiner — Rashida Johnson

(74) *Attorney, Agent, or Firm* — McCarthy Tétrault LLP

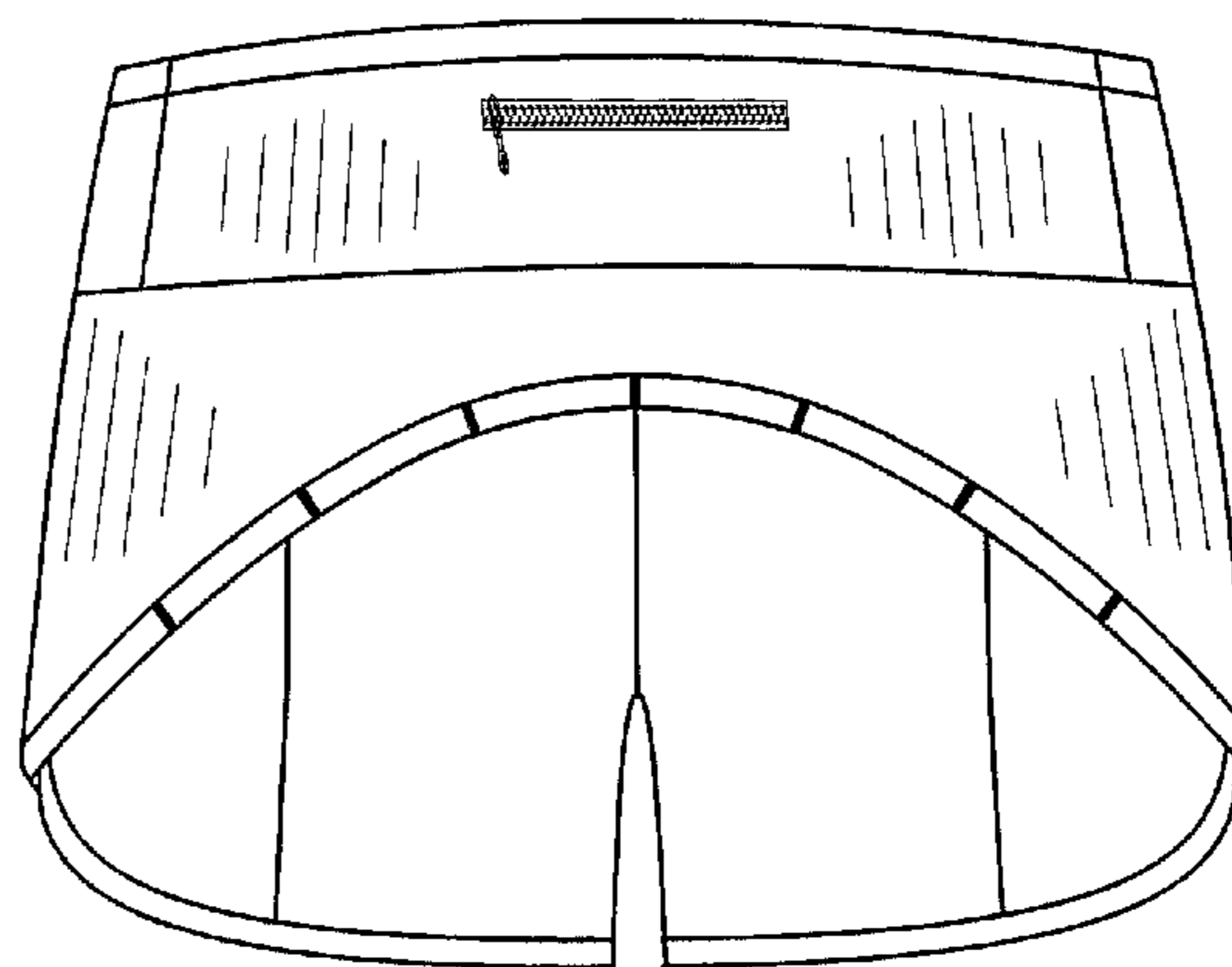
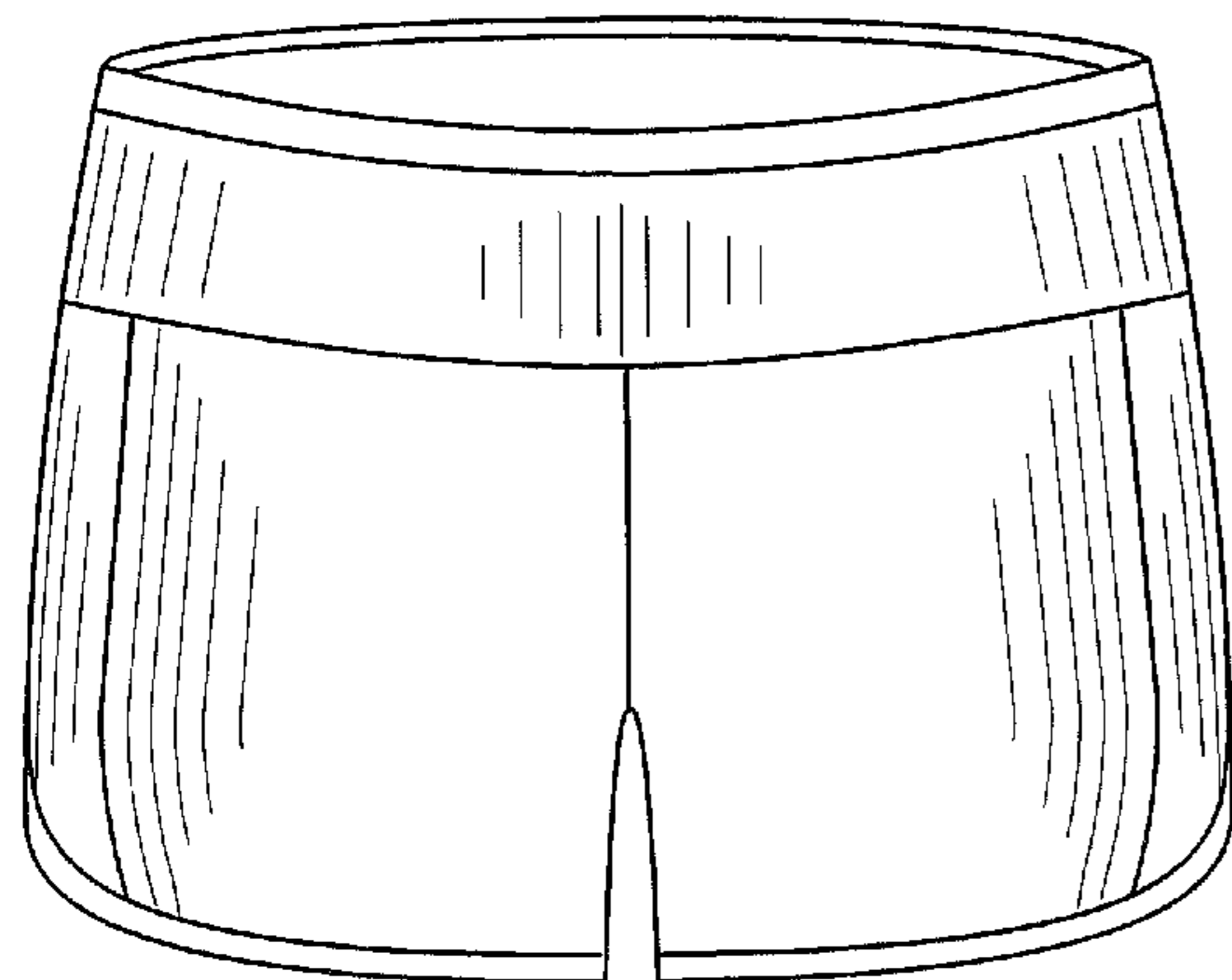
(57) **CLAIM**

The ornamental design for shorts, as shown and described.

DESCRIPTION

FIG. 1 is a front view of shorts according to a first embodiment of the design;
FIG. 2 is a rear view thereof;
FIG. 3 is a right side view thereof;
FIG. 4 is a left side view thereof;
FIG. 5 is a front perspective view thereof;
FIG. 6 is a first cross sectional view thereof taken along line 6-6 in FIG. 3;
FIG. 7 is a second cross sectional view thereof taken along line 7-7 in FIG. 4;
FIG. 8 is a top view thereof;
FIG. 9 is a rear view of shorts according to a second embodiment of the design, the front, left side, front perspective, first cross sectional, second cross sectional, and top views being the same as FIGS. 1 and 4-8, respectively; and,
FIG. 10 is a right side view thereof.
The symbol depicted in FIGS. 9-10 forming part of the claimed design is a registered trademark of Lululemon Athletica Canada Inc.

1 Claim, 10 Drawing Sheets



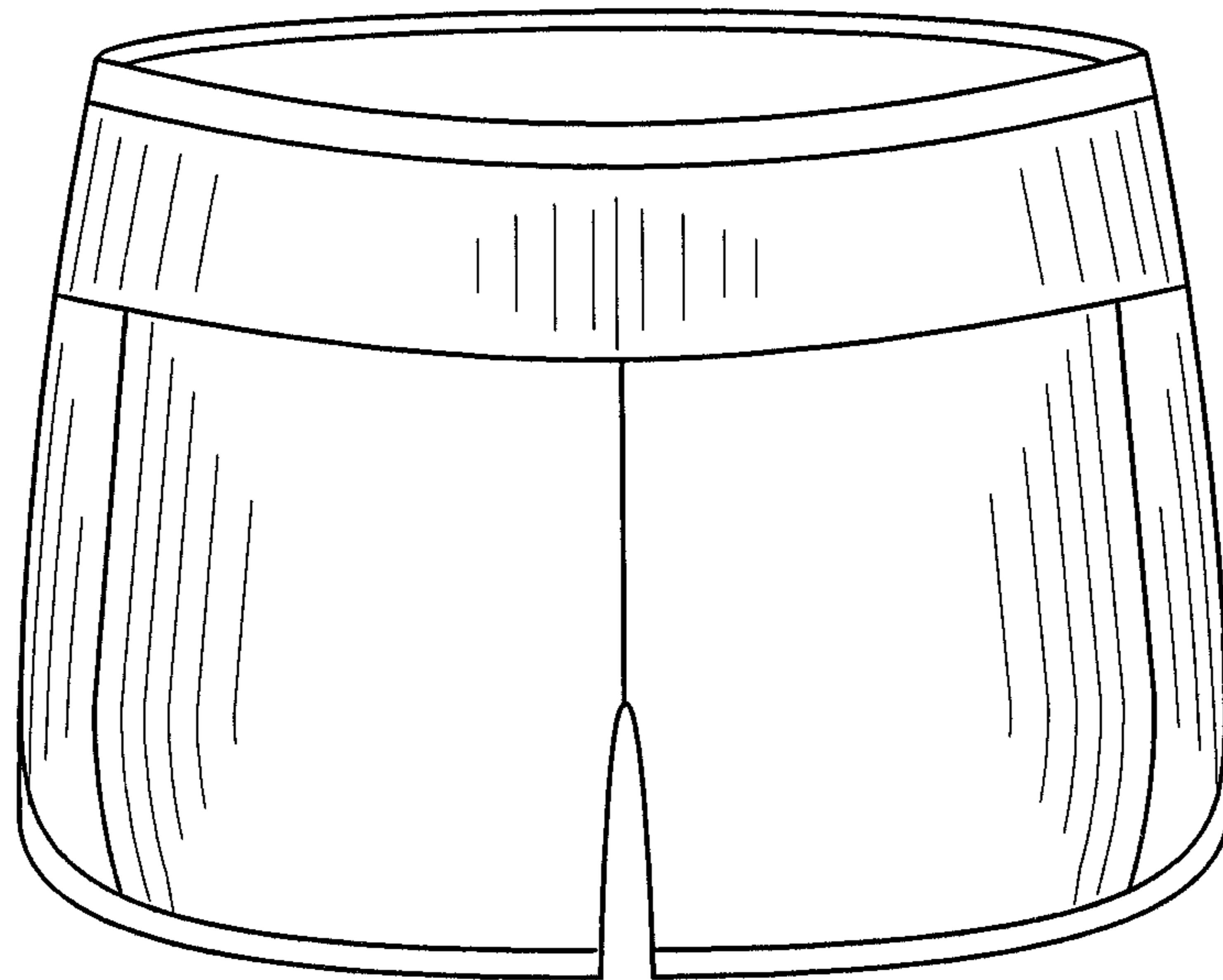


FIG.1

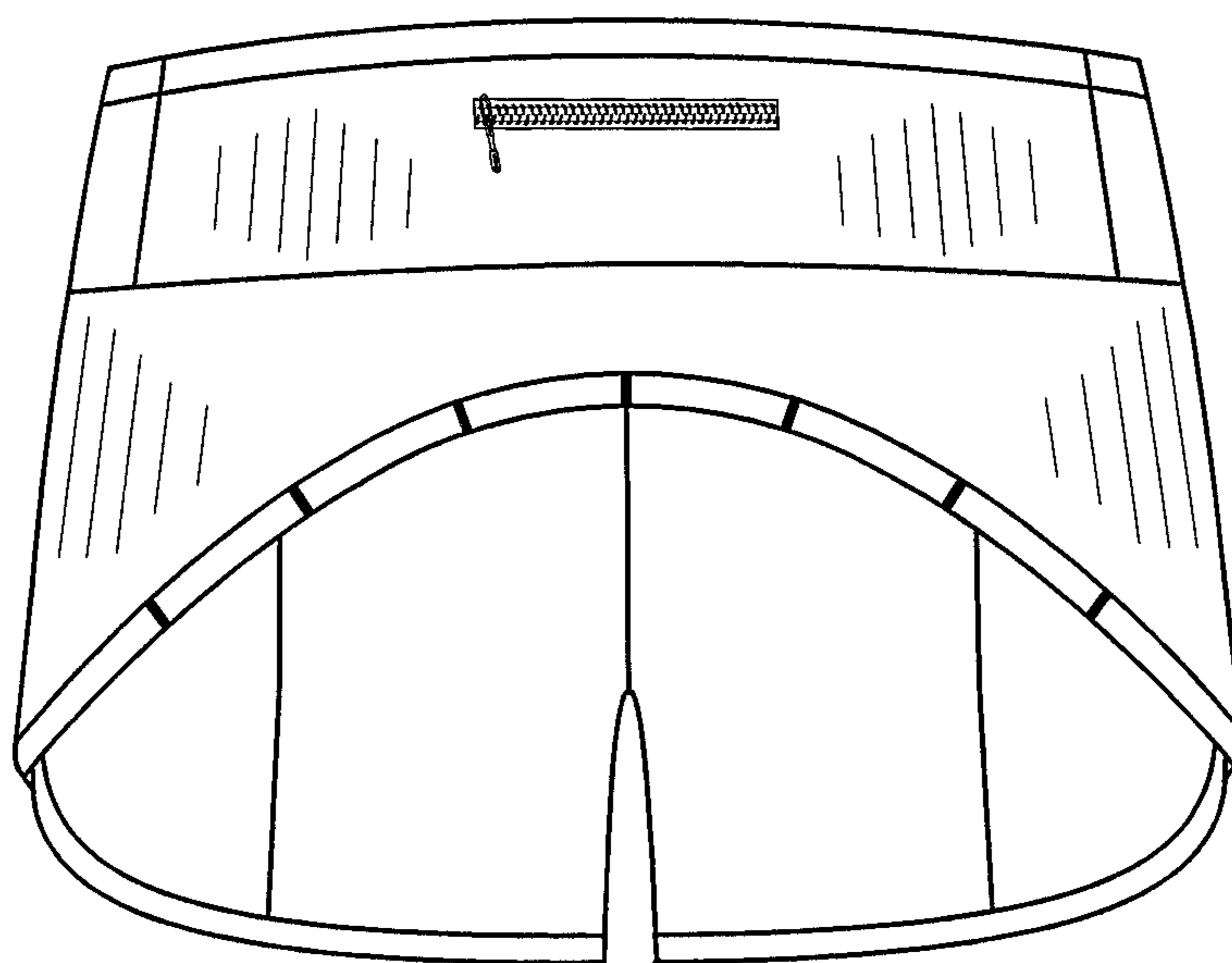
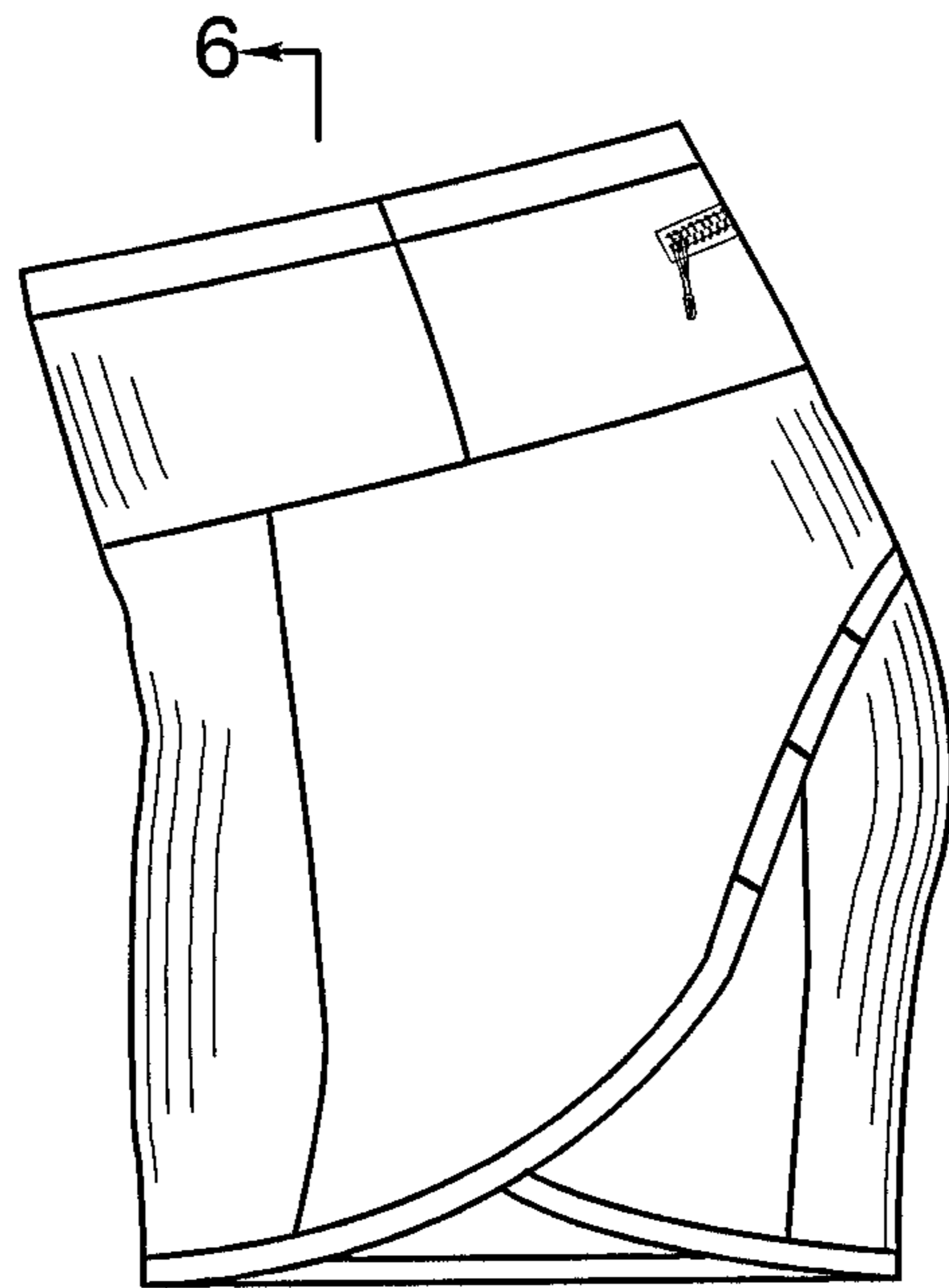


FIG.2



6

FIG.3

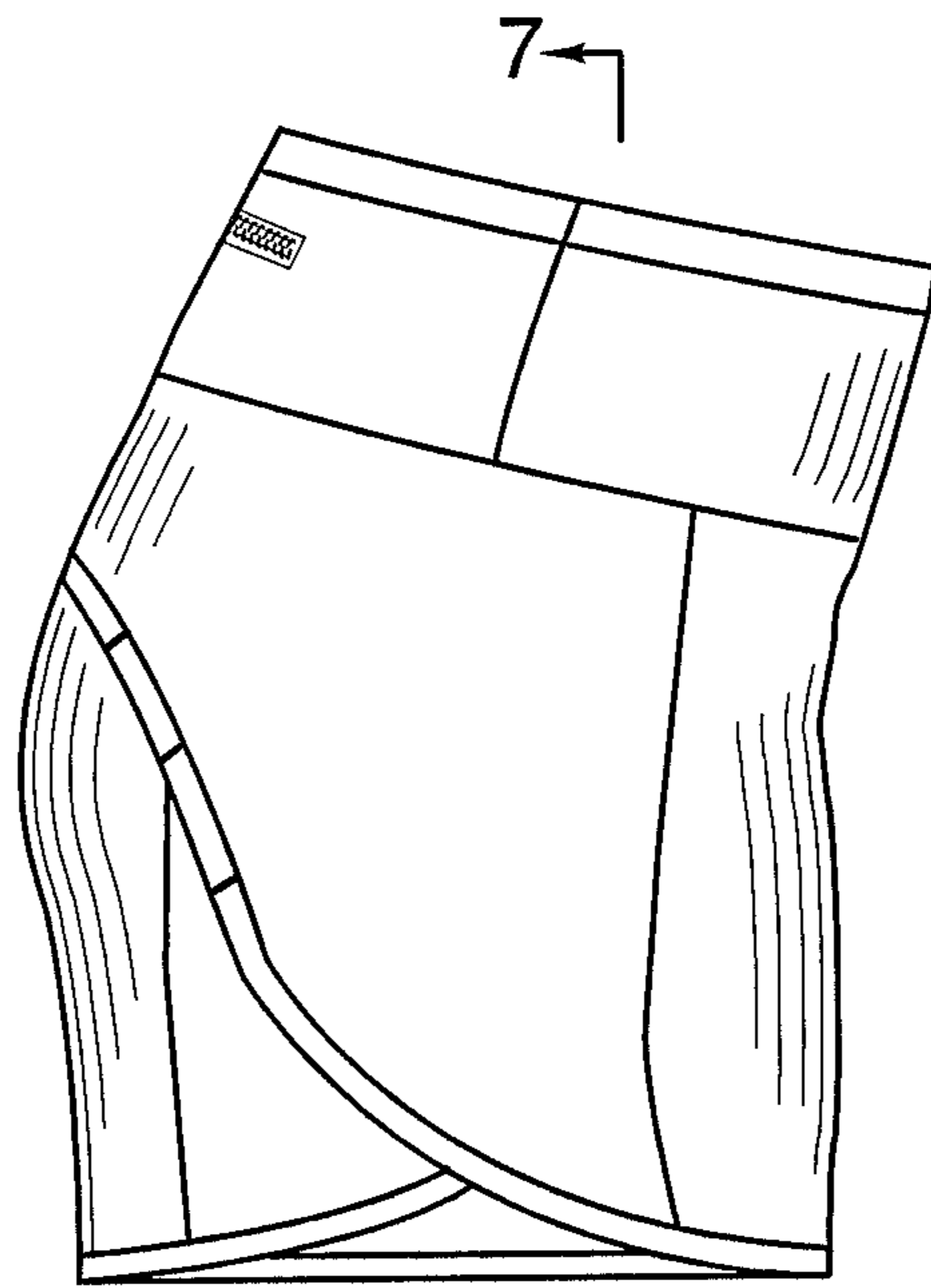


FIG.4

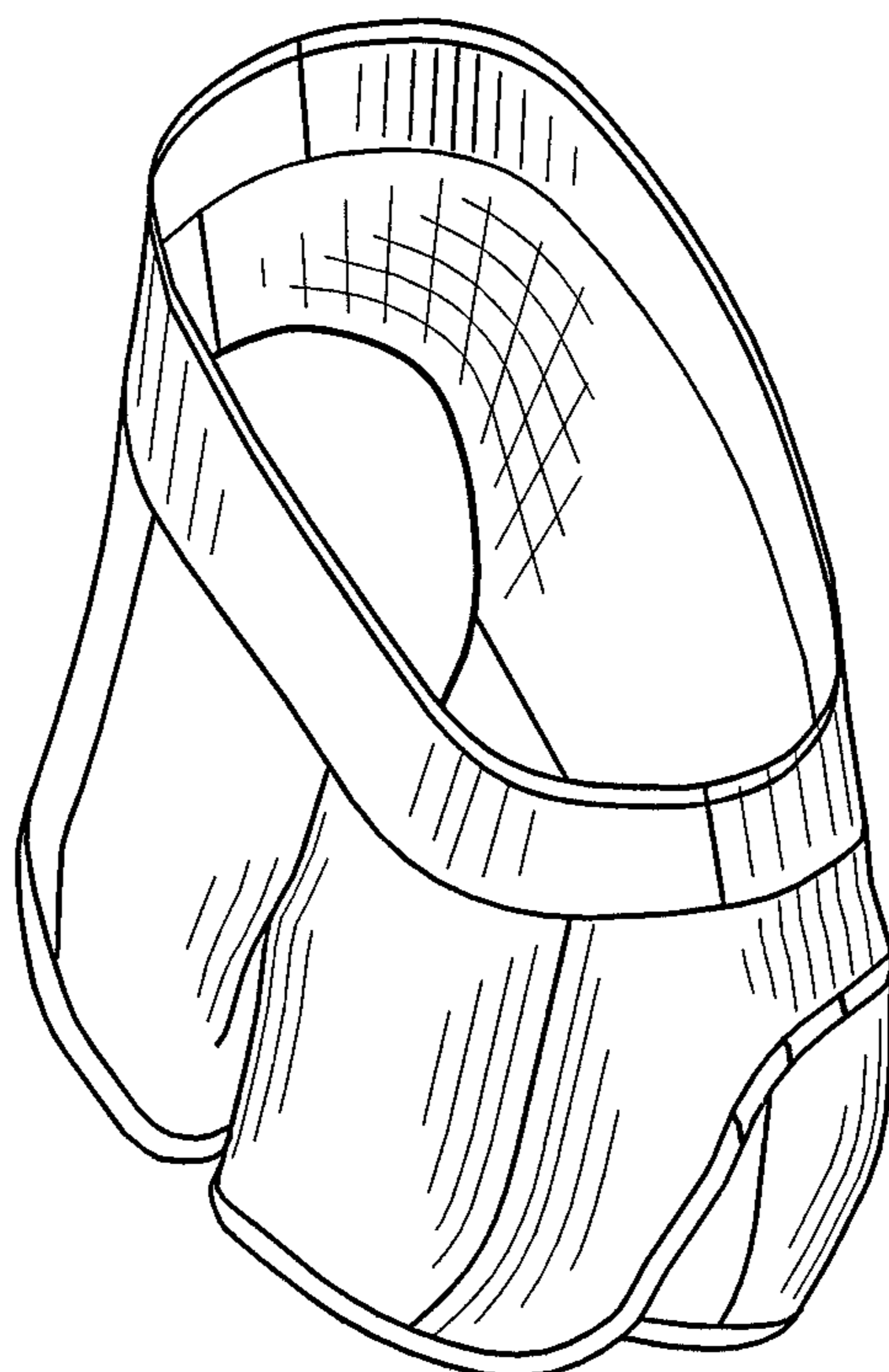


FIG.5

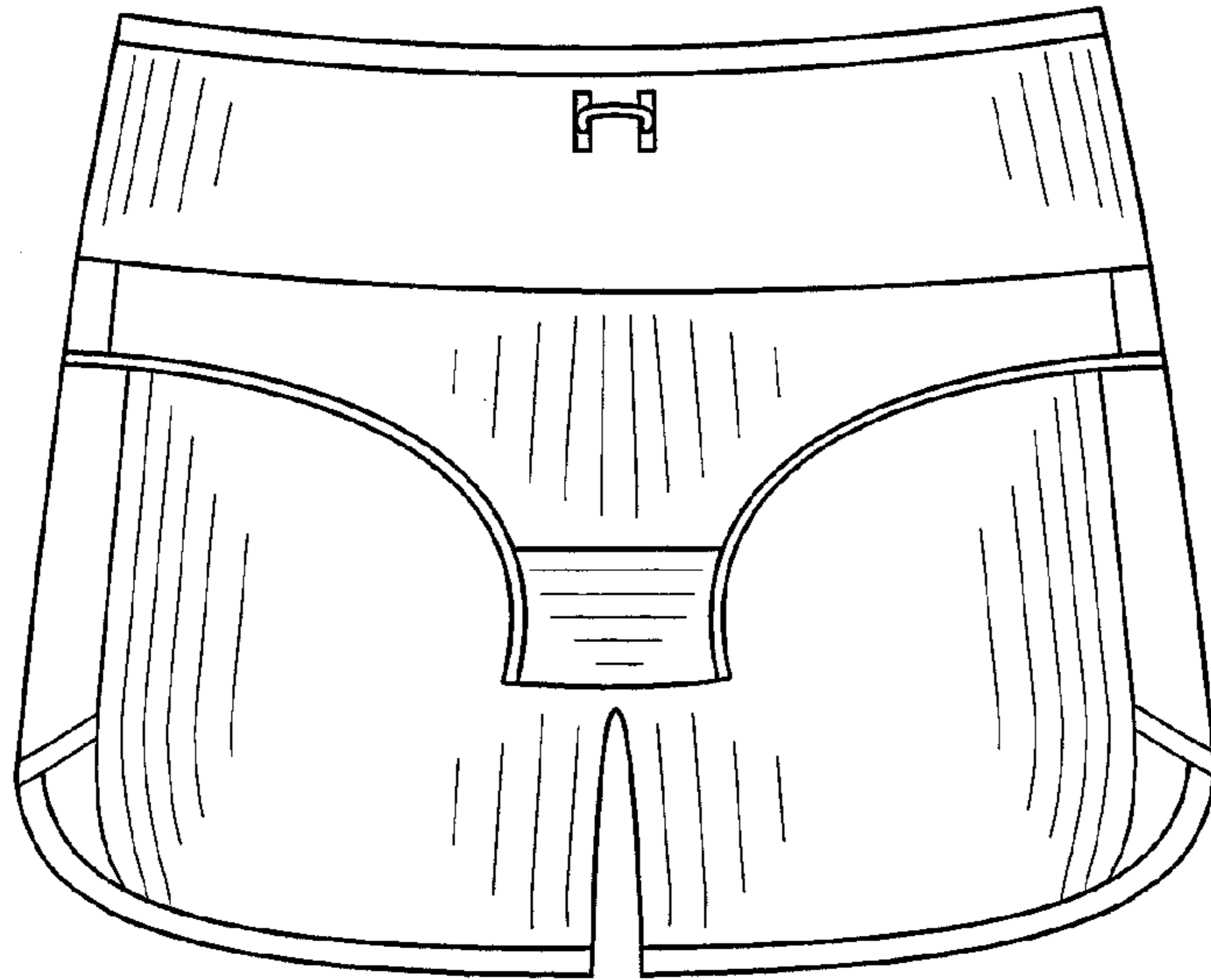


FIG.6

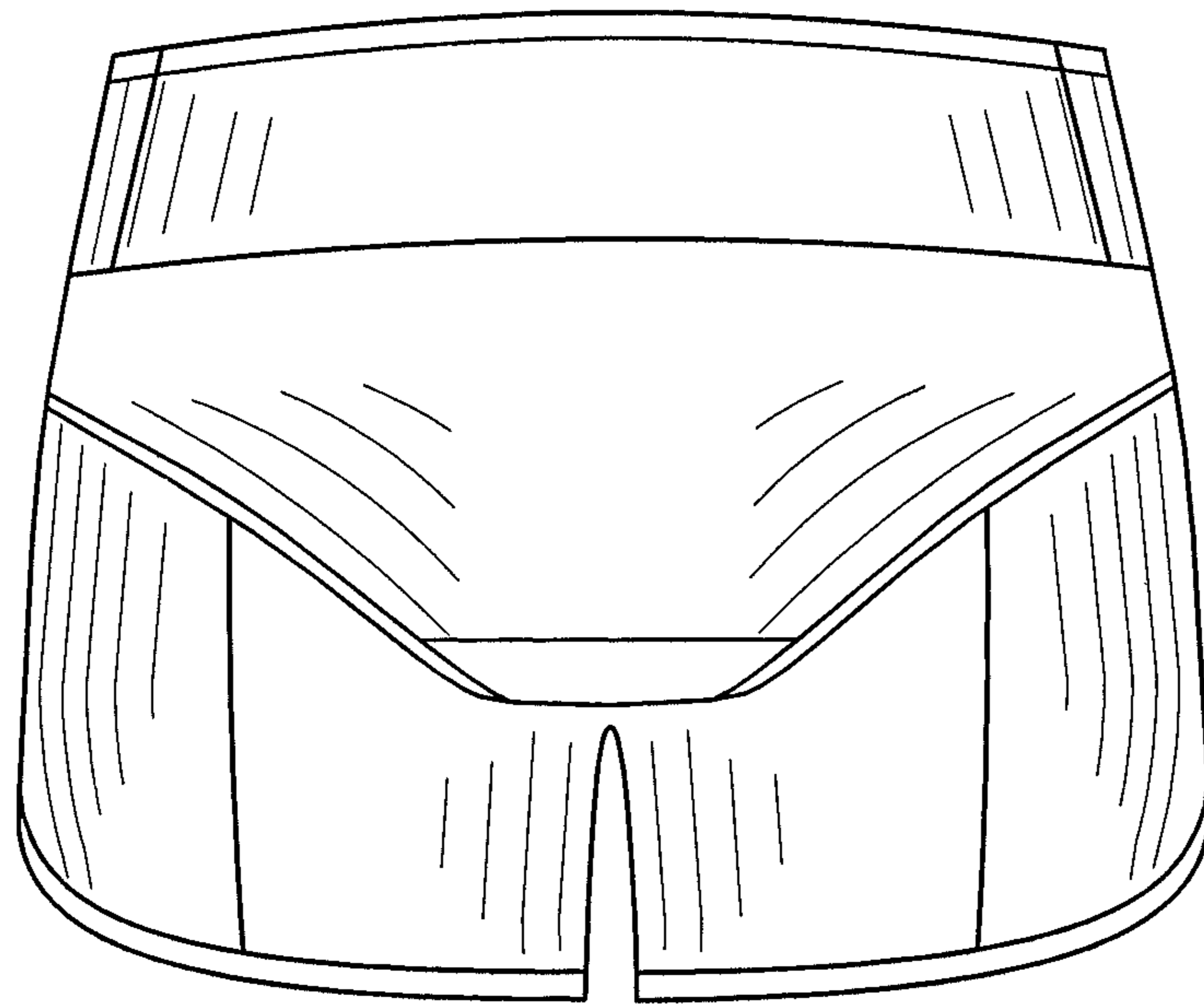


FIG.7

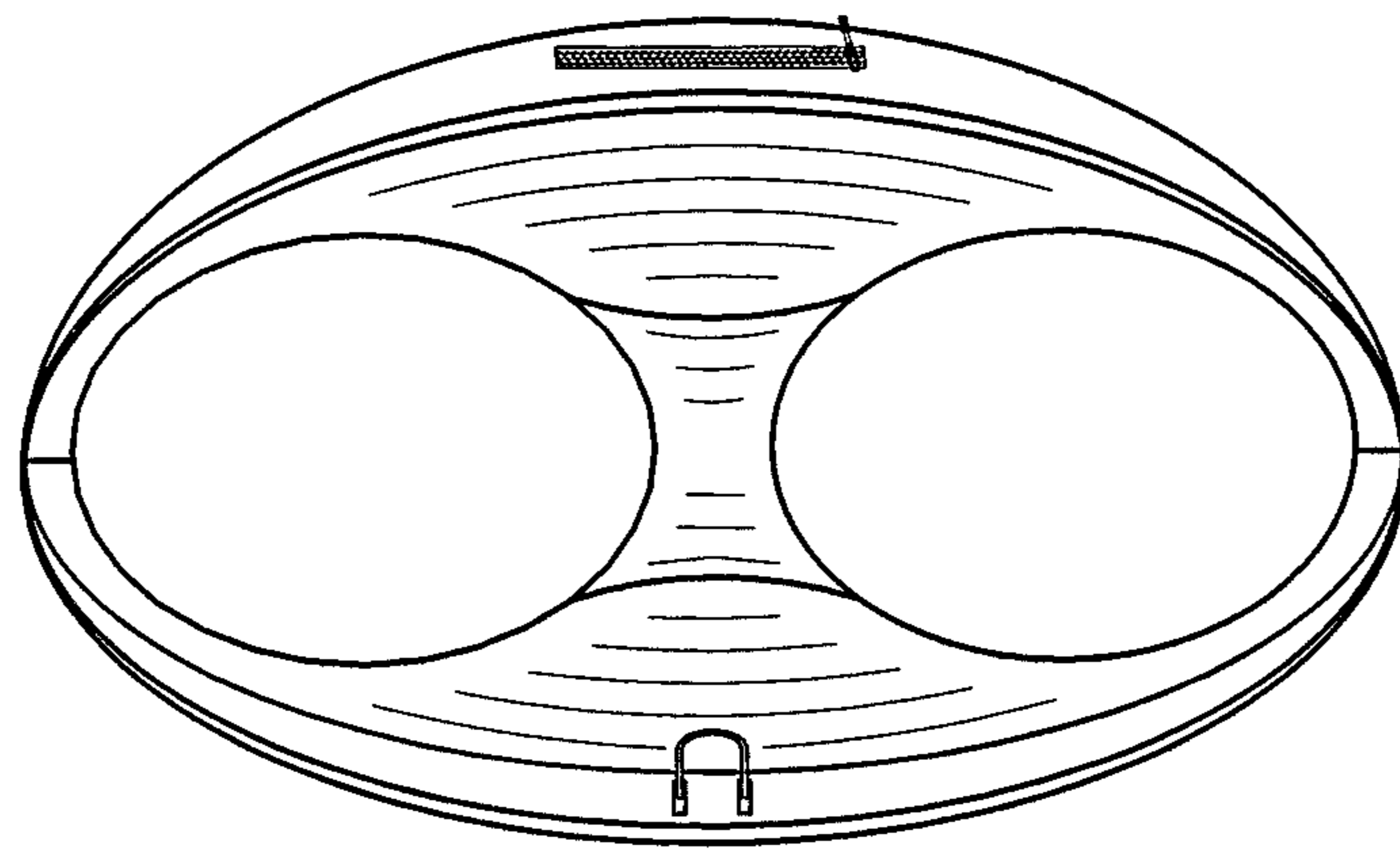


FIG.8

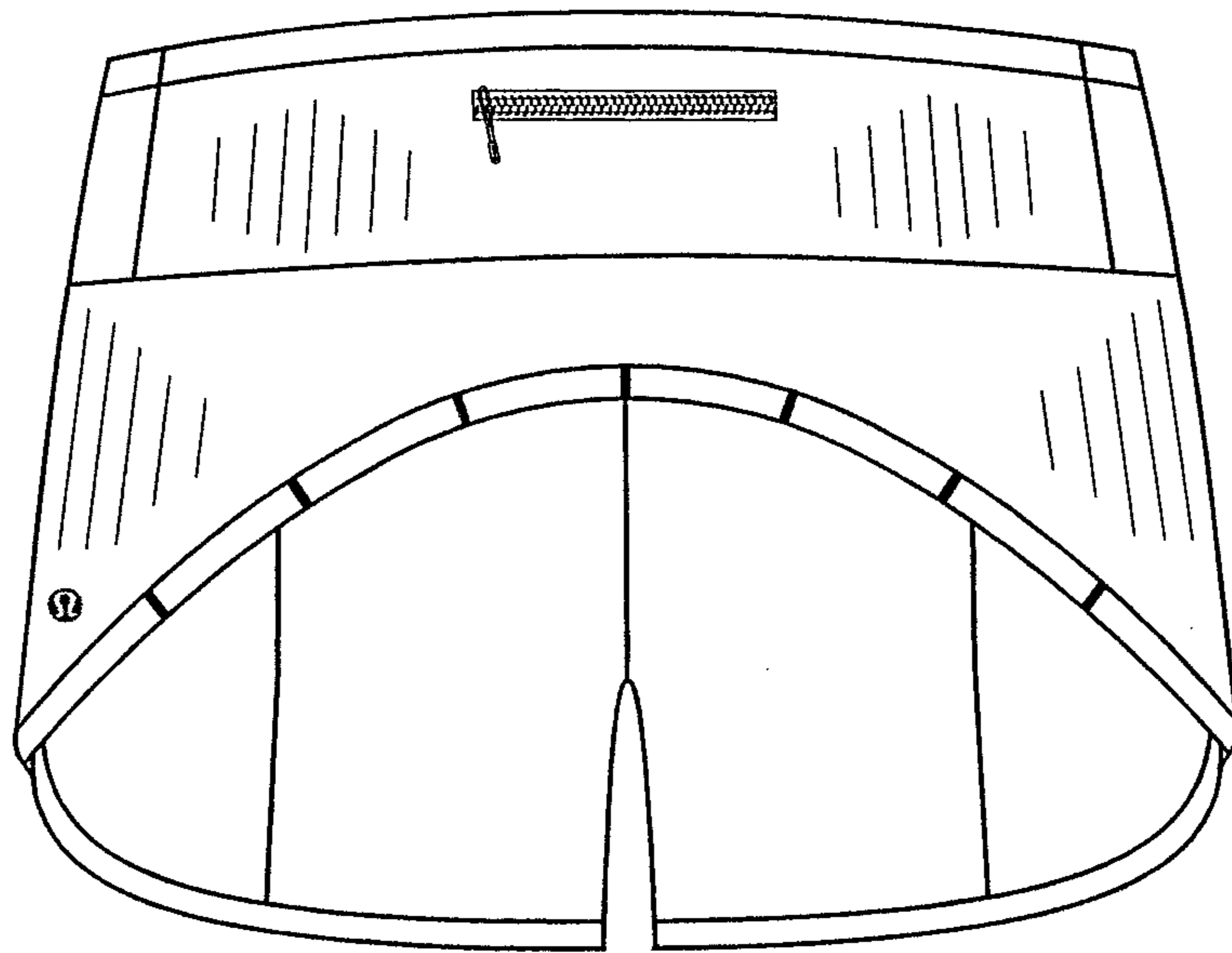


FIG. 9

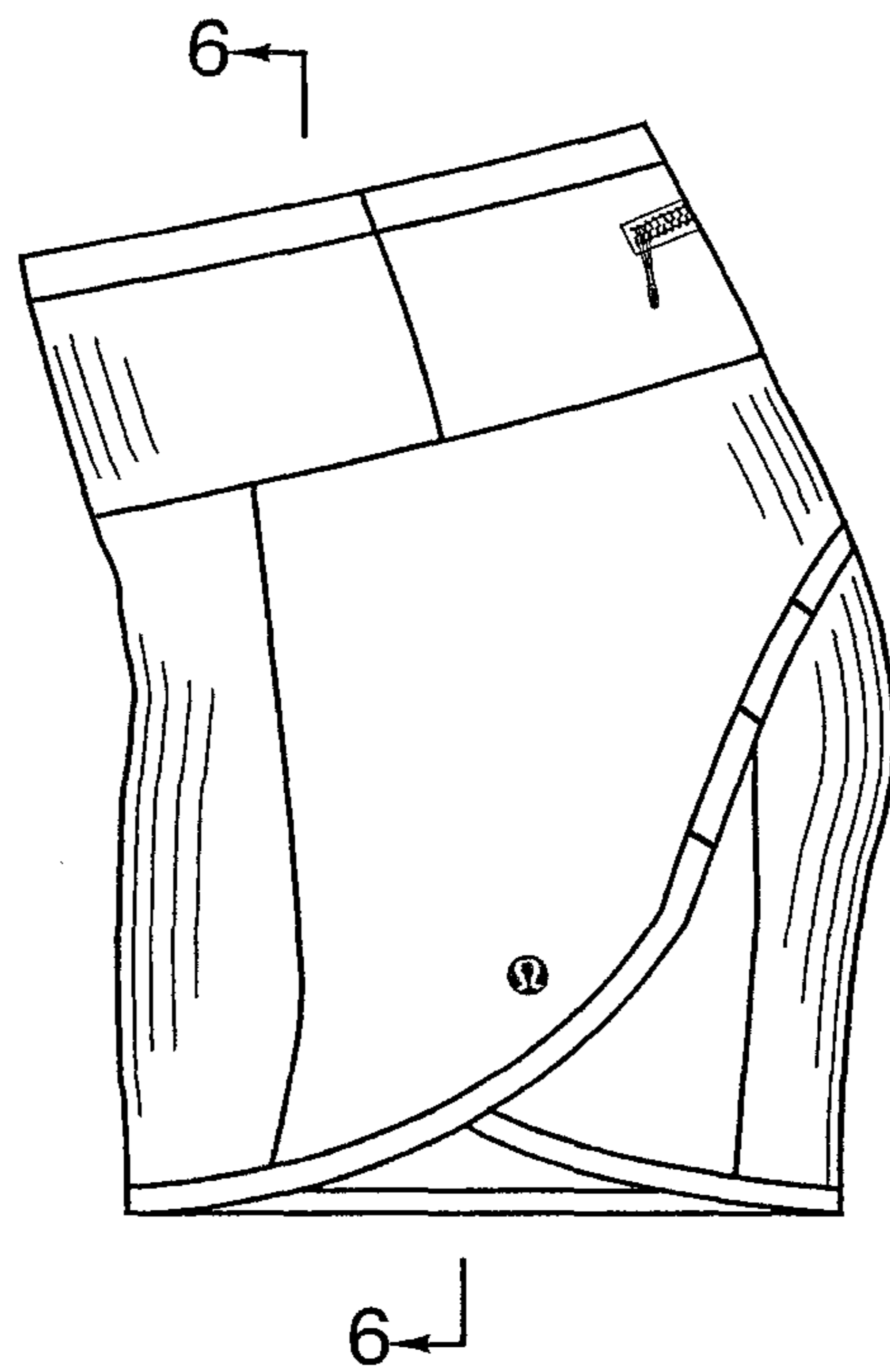


FIG. 10