



US00D701674S

(12) **United States Design Patent**
Denning

(10) **Patent No.:** **US D701,674 S**
(45) **Date of Patent:** **** Apr. 1, 2014**

(54) **MEN'S BOXER UNDERWEAR**

(75) Inventor: **Rochelle Denning**, Springfield, NJ (US)

(73) Assignee: **EasyUndies, LLC**, Springfield, NJ (US)

(**) Term: **14 Years**

(21) Appl. No.: **29/411,133**

(22) Filed: **Jan. 17, 2012**

(51) **LOC (10) Cl.** **02-01**

(52) **U.S. Cl.**

USPC **D2/712**

(58) **Field of Classification Search**

USPC D2/712, 713, 714, 715, 716, 731, 736,
D2/737, 739, 742, 860, 863, 864; 2/46, 53,
2/54, 67, 73, 78.1, 78.2, 78.3, 227, 228,
2/235, 236, 237, 238, 272, 400, 401, 402,
2/403, 404, 405, 406, 407, 408; 450/100,
450/101, 102, 103, 104; 602/67; 604/345,
604/359, 387

See application file for complete search history.

(56) **References Cited**

U.S. PATENT DOCUMENTS

1,672,017	A *	6/1928	Wright	2/237
2,102,323	A	12/1937	Kneibler	
2,459,043	A *	1/1949	Owenby et al.	2/401
2,636,368	A *	4/1953	Anderson	66/174
2,822,807	A *	2/1958	Heyman	602/67
3,134,108	A *	5/1964	Terry et al.	2/404
3,246,341	A *	4/1966	Paolucci	2/404
RE26,682	E *	10/1969	Terry	2/402
5,014,364	A *	5/1991	Orr	2/408
5,103,505	A *	4/1992	Llorens	2/400
D377,557	S *	1/1997	Jagger	D2/738
D395,537	S *	6/1998	Vitches	D2/712
D404,185	S *	1/1999	Lanter et al.	D2/738
D408,964	S	5/1999	Hernandez	
5,987,650	A *	11/1999	Carroll	2/244
D417,940	S	12/1999	Coates et al.	
D423,188	S	4/2000	Raffali	

D470,993	S	3/2003	Anderson	
D483,549	S *	12/2003	Caldwell	D2/712
7,000,261	B1 *	2/2006	Loffredo	2/400
D560,878	S *	2/2008	Rie	D2/713
D566,926	S *	4/2008	Kang	D2/738
D591,928	S *	5/2009	Kirsch et al.	D2/712
D603,582	S	11/2009	Fennell	
7,827,623	B2	11/2010	Kurata	
7,993,322	B2	8/2011	Brud et al.	
8,083,880	B2 *	12/2011	Kurata	156/227
8,214,927	B1	7/2012	Jondahl et al.	
D674,166	S *	1/2013	Wilson	D2/738
D679,070	S *	4/2013	Denning	D2/712
2006/0021115	A1 *	2/2006	Stanley	2/400
2007/0220661	A1 *	9/2007	Blohmann	2/404
2007/0245463	A1 *	10/2007	Kang	2/403
2007/0283484	A1 *	12/2007	Wright	2/404
2009/0100569	A1 *	4/2009	Butler	2/114
2012/0053553	A1 *	3/2012	Griggs	604/396
2013/0291287	A1 *	11/2013	Shoemaker	2/403

* cited by examiner

Primary Examiner — Karen E Eldridge Powers

(74) *Attorney, Agent, or Firm* — Hoxie & Associates LLC

(57) **CLAIM**

The ornamental design for a men's boxer underwear, as shown and described.

DESCRIPTION

FIG. 1 is a front elevation view of the men's boxer underwear of the present design, shown in a state whereby the fastener stripes are engaged. The features shown in broken lines form no part of the claimed design;

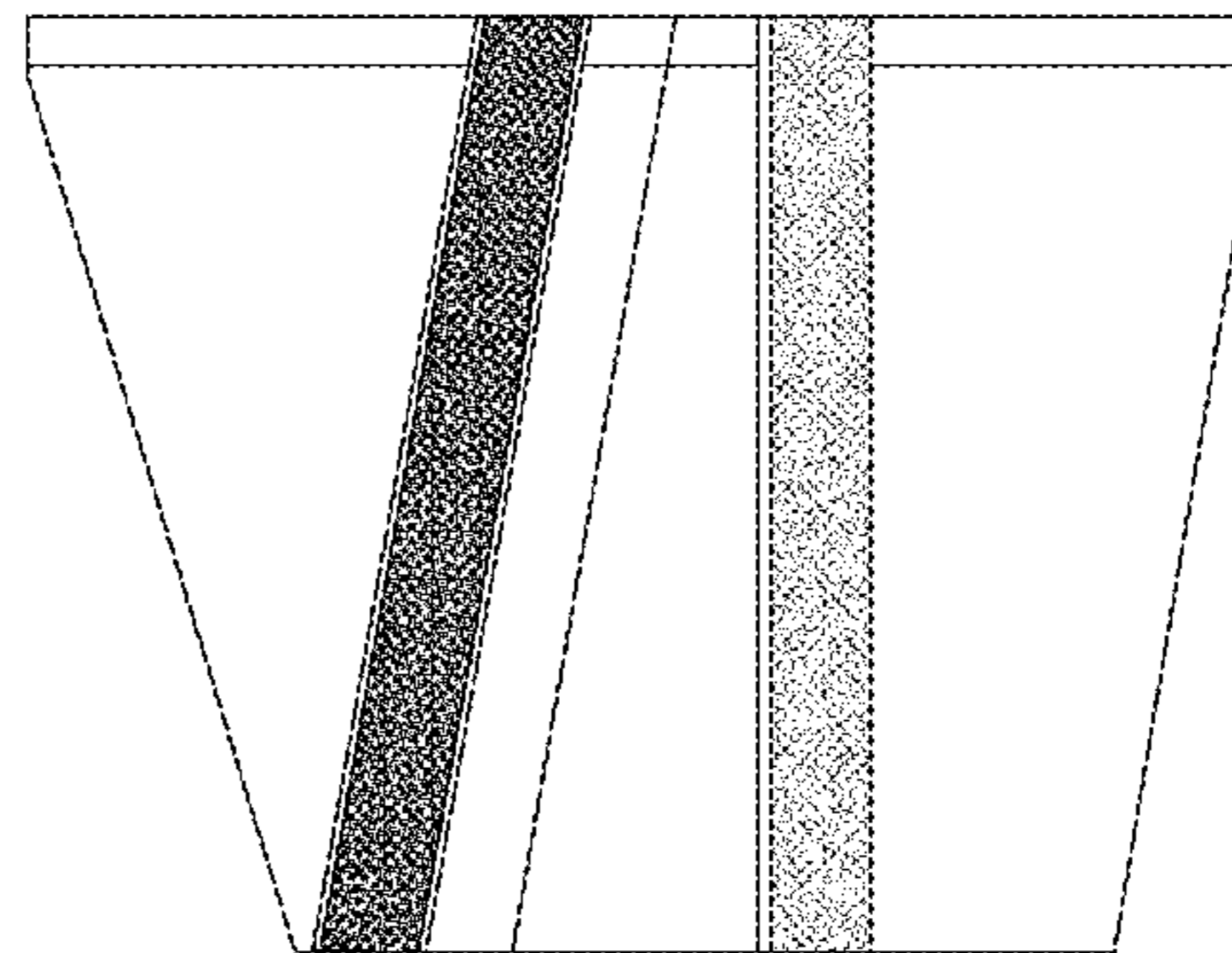
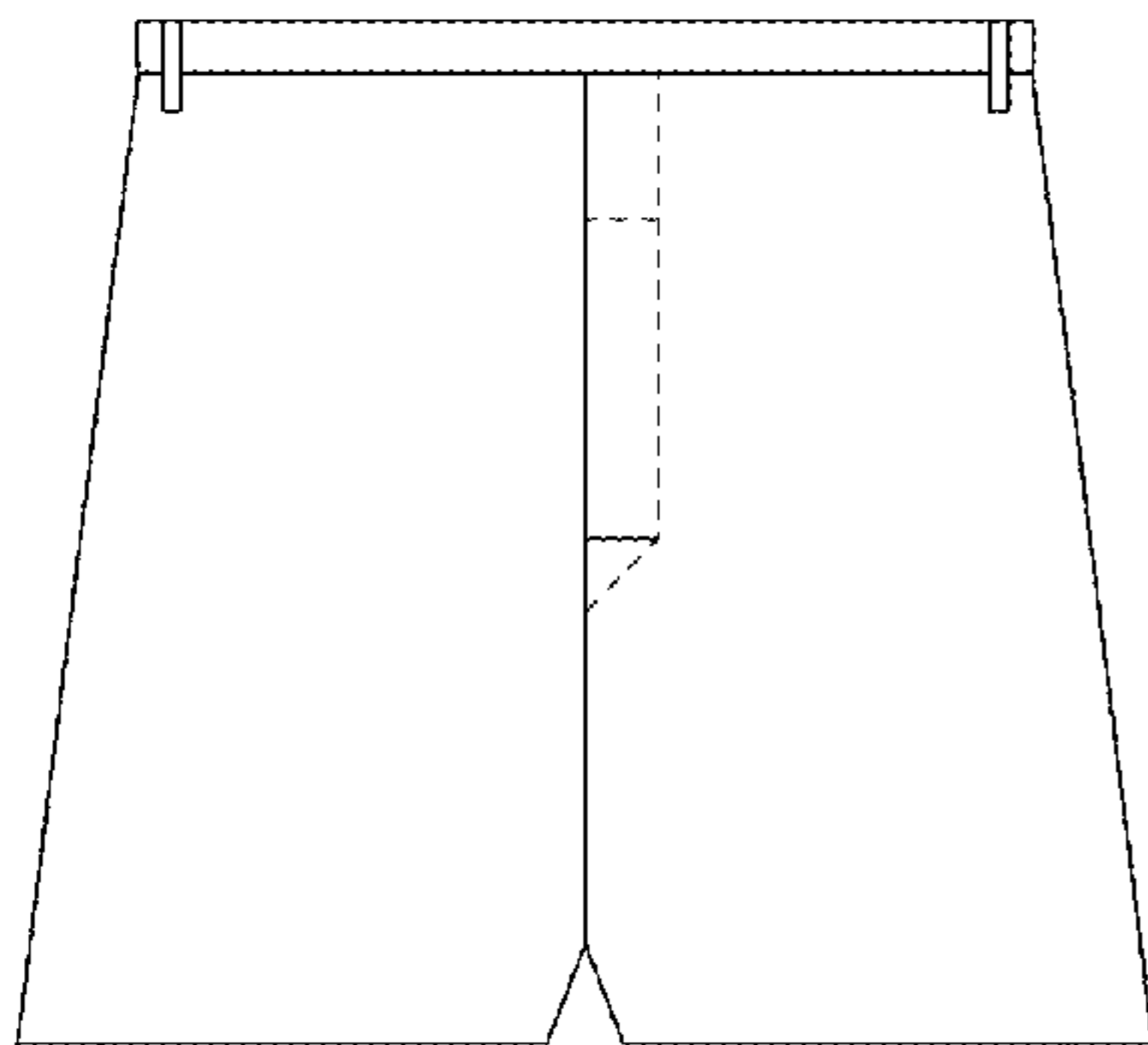
FIG. 2 is a side elevation view of the men's boxer underwear of FIG. 1;

FIG. 3 is a side elevation view the men's boxer underwear of FIGS. 1-2, showing the hook and loop fasteners; and,

FIG. 4 is an enlarged detail view of the tab section of the men's boxer underwear of FIGS. 1-3.

The broken lines are boundaries of the detail and form no part of the claimed design.

1 Claim, 4 Drawing Sheets



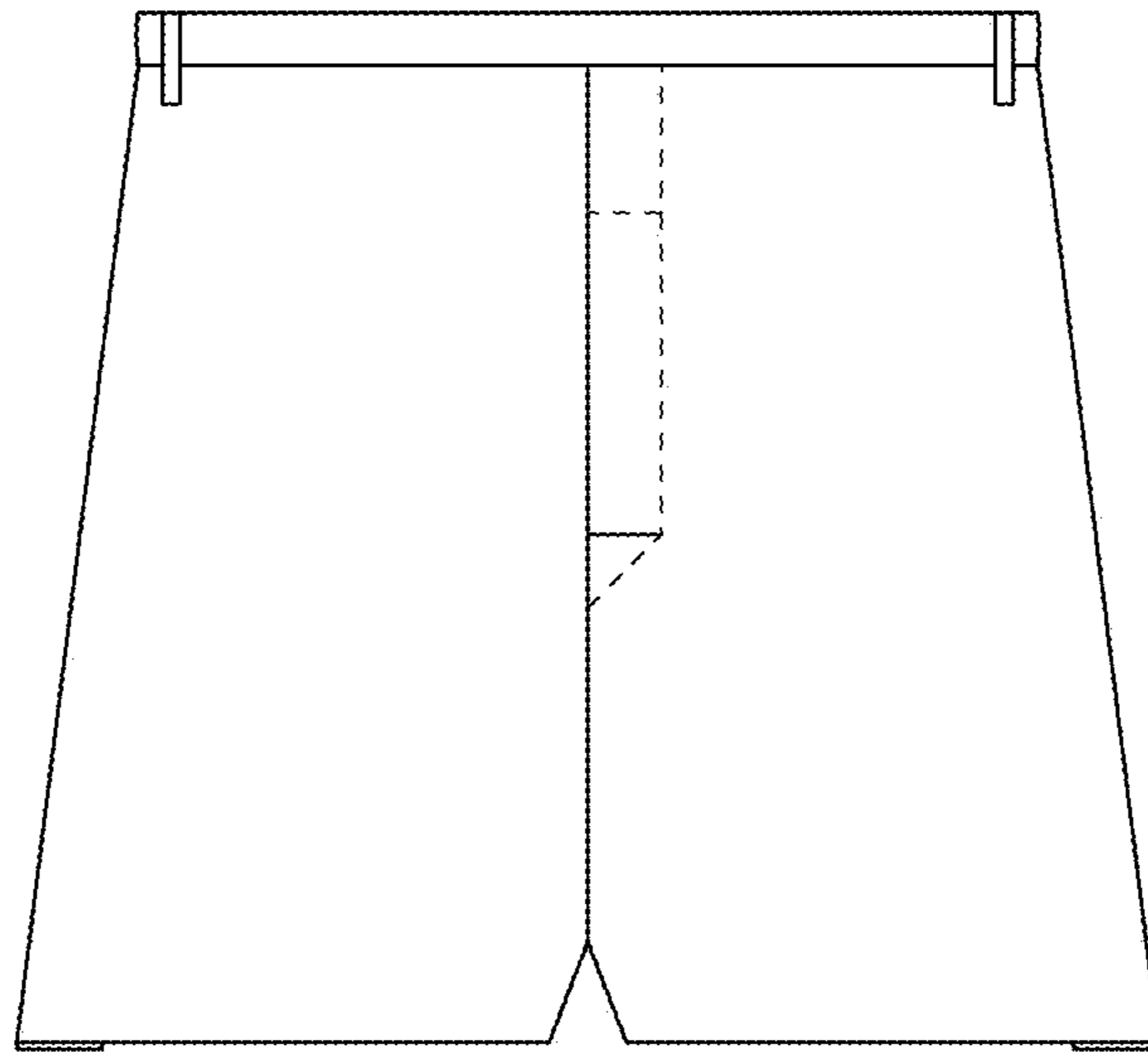


FIG. 1

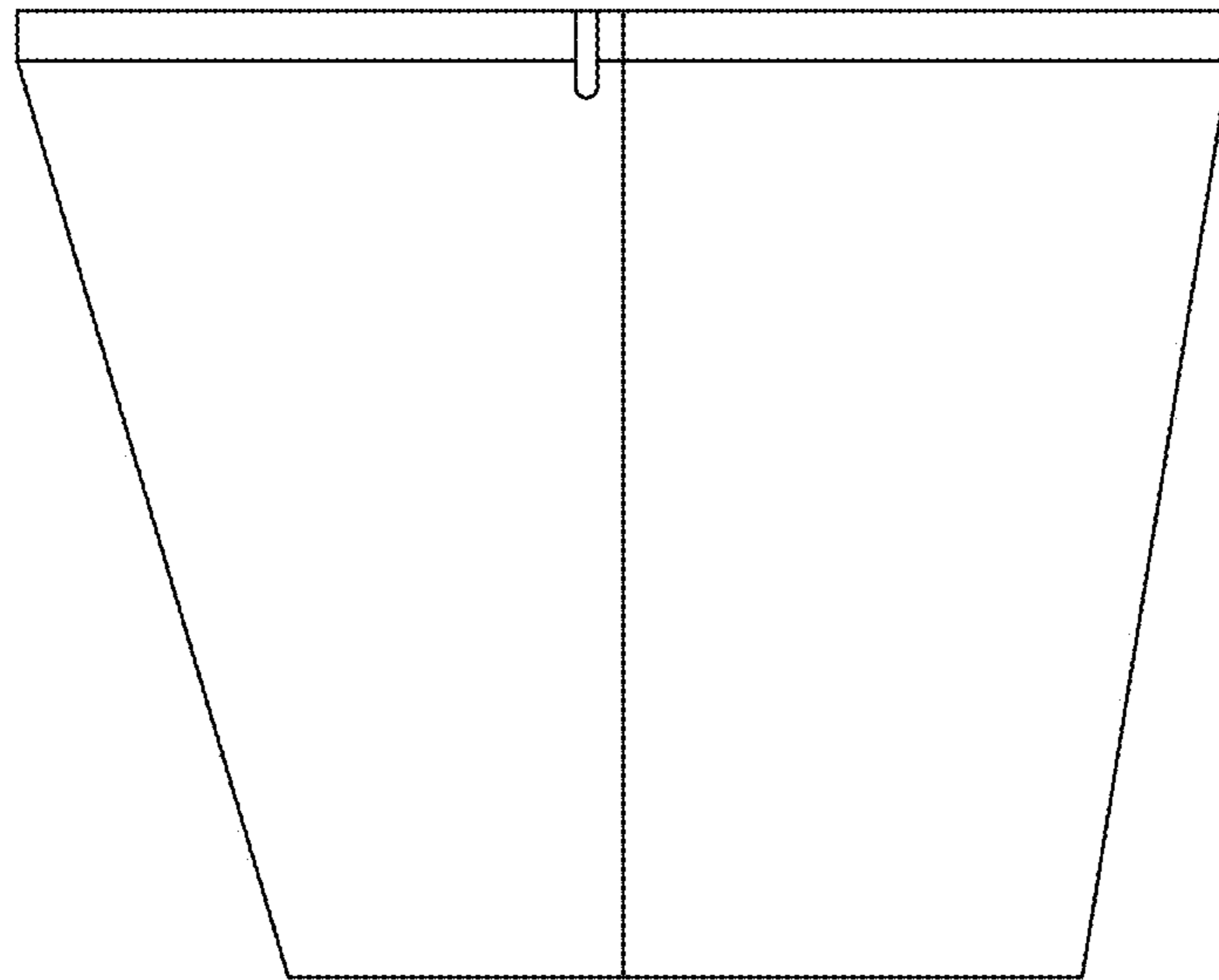


FIG. 2

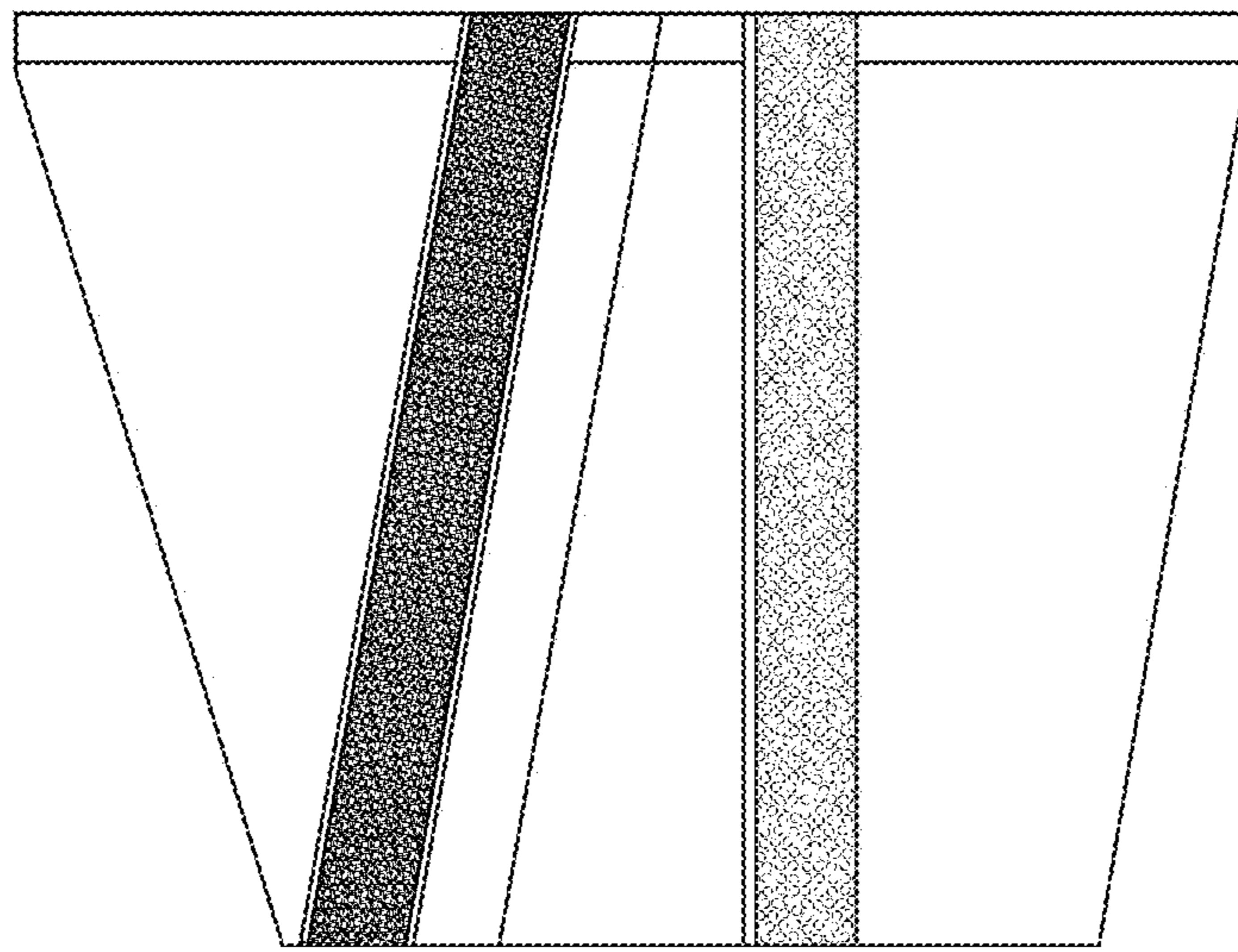


FIG. 3

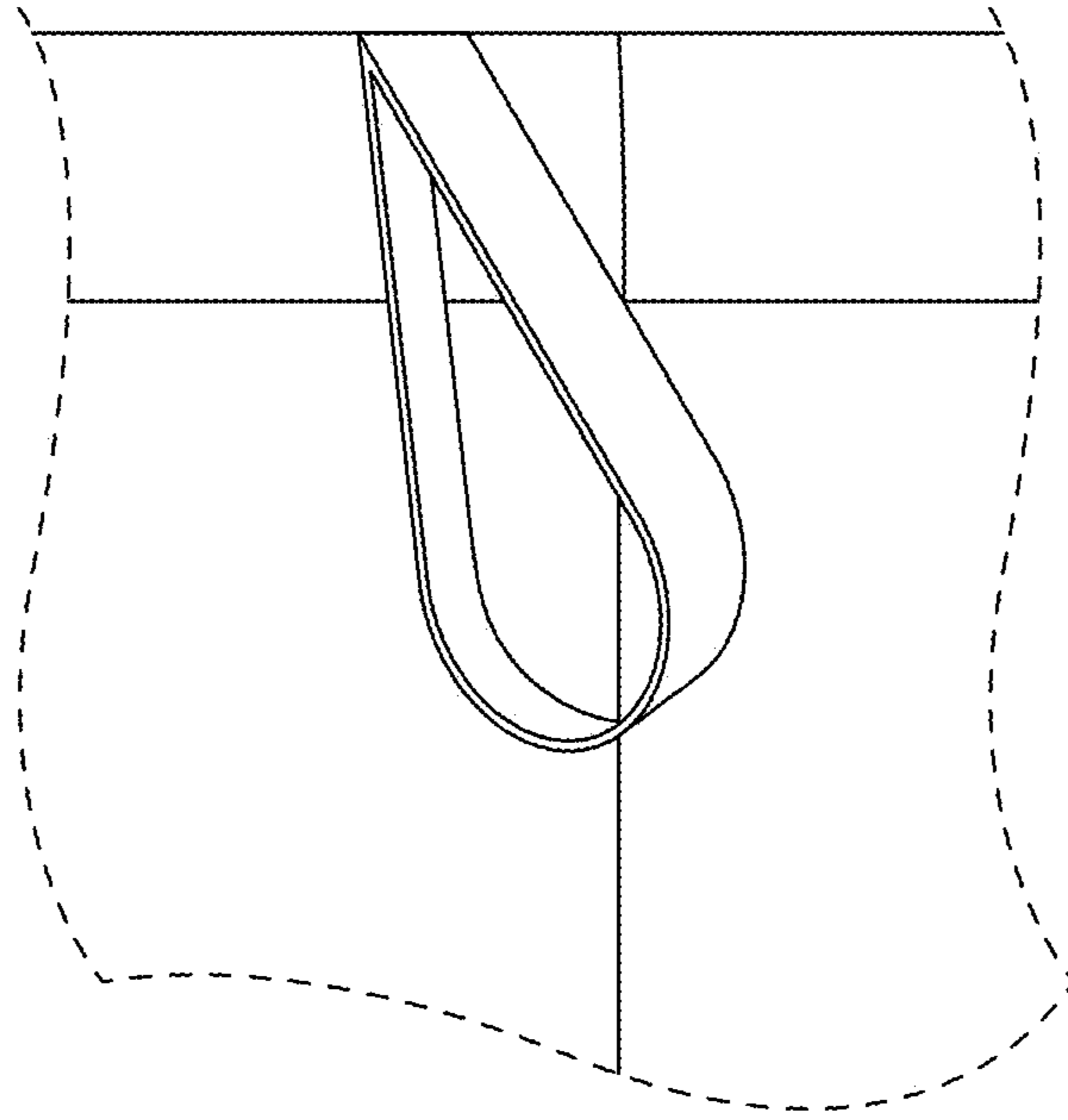


FIG. 4