



US00D701664S

(12) **United States Design Patent**
Tollasepp et al.

(10) **Patent No.:** **US D701,664 S**
(45) **Date of Patent:** **** Mar. 25, 2014**

- (54) **SINK CONTAINER ACCESSORY**
- (71) Applicants: **Tonis Tollasepp**, Toronto (CA); **Jason Nip**, Toronto (CA)
- (72) Inventors: **Tonis Tollasepp**, Toronto (CA); **Jason Nip**, Toronto (CA)
- (73) Assignee: **Tonis Tollasepp**, Toronto (CA)
- (**) Term: **14 Years**
- (21) Appl. No.: **29/461,050**
- (22) Filed: **Jul. 18, 2013**
- (51) **LOC (10) Cl.** **07-05**
- (52) **U.S. Cl.**
USPC **D32/55**
- (58) **Field of Classification Search**
USPC D32/55, 56; D7/667, 637; D21/525;
210/241, 801, 162, 183; 211/162, 183,
211/198, 41.3, 41.4, 41.5, 41.6, 41.8;
220/487
See application file for complete search history.

D566,919 S	4/2008	Snell	
D568,019 S *	4/2008	Joseph	D32/55
D582,120 S *	12/2008	Snell	D32/55
D586,969 S *	2/2009	Graham	D32/54
D627,121 S *	11/2010	Merritt	D32/55
D635,383 S	4/2011	Yang et al.	
8,296,876 B2	10/2012	Yang et al.	

FOREIGN PATENT DOCUMENTS

GB	2444635	11/2008
JP	11221165	8/1999
JP	2001214490	8/2001
JP	2005089179	4/2005
JP	201100164	1/2011
JP	2011041700	3/2011
JP	2012101137	5/2012

* cited by examiner

Primary Examiner — Austin Murphy

(74) *Attorney, Agent, or Firm* — Simpson & Simpson, PLLC

(57) **CLAIM**

The ornamental design for a sink container accessory, as described and shown.

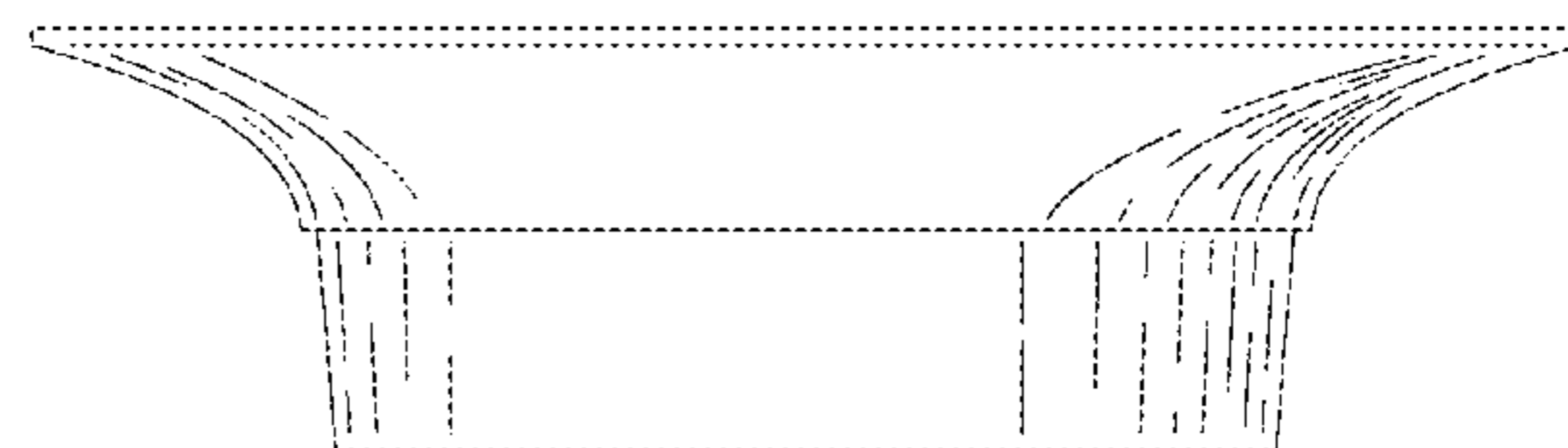
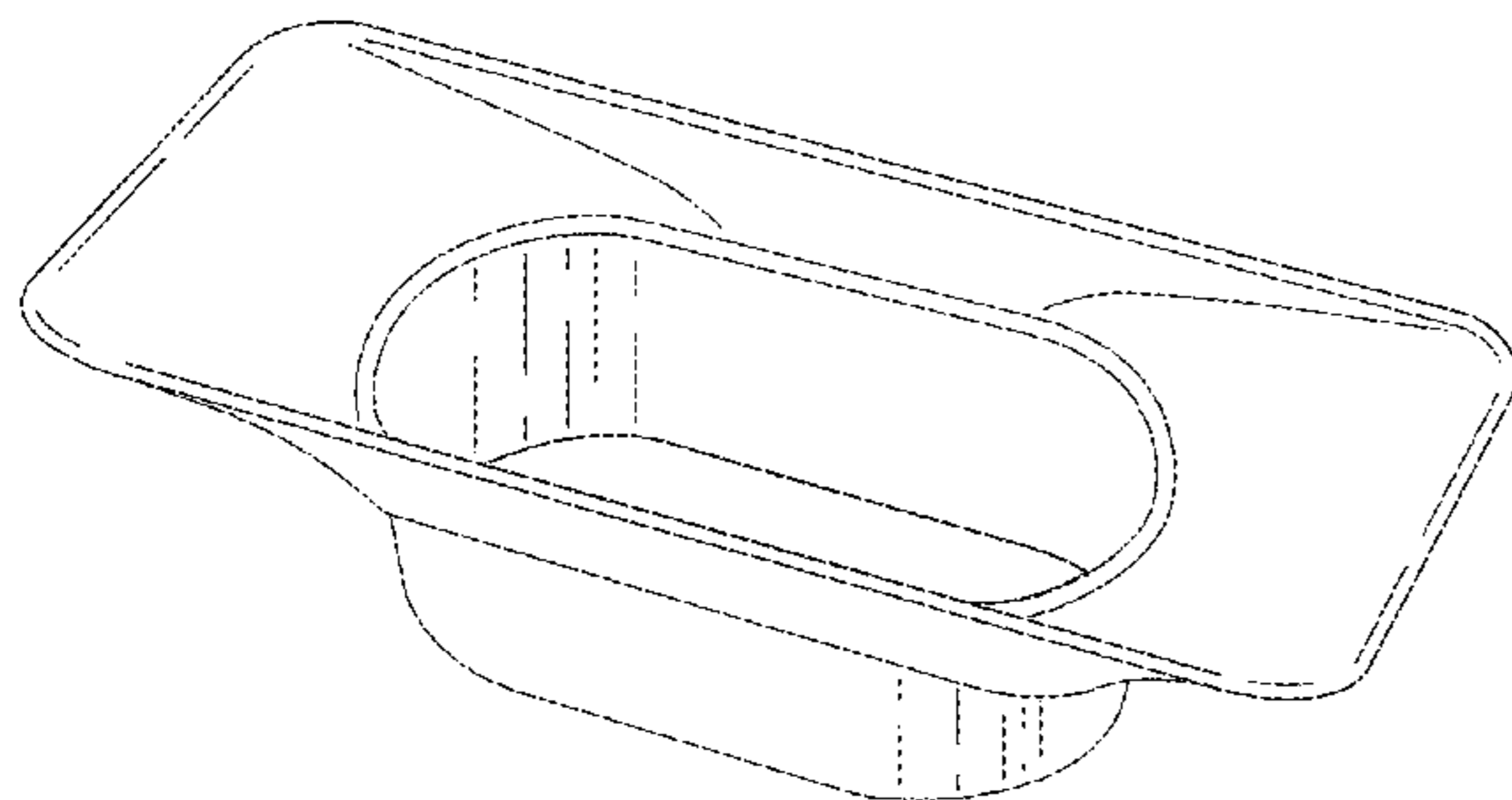
DESCRIPTION

FIG. 1 is a front perspective view of the sink container accessory of the invention;
 FIG. 2 is a top plan view of the sink container accessory of the invention;
 FIG. 3 is a bottom plan view of the sink container accessory of the invention;
 FIG. 4 is a front elevational view of the sink container accessory of the invention;
 FIG. 5 is a rear elevational view of the sink container accessory of the invention;
 FIG. 6 is a left side elevational view of the sink container accessory of the invention; and,
 FIG. 7 is a right side elevational view of the sink container accessory of the invention.

1 Claim, 3 Drawing Sheets

(56) **References Cited**
U.S. PATENT DOCUMENTS

2,044,520 A	6/1936	Weiant	
4,531,246 A	7/1985	Earley	
5,176,347 A	1/1993	Rouail	
D334,265 S *	3/1993	Giugiaro	D32/55
D363,576 S *	10/1995	Brightbill et al.	D32/55
5,590,804 A	1/1997	Crum et al.	
6,152,294 A	11/2000	Weinberg	
D447,918 S *	9/2001	Wolfenden	D7/637
6,330,948 B1	12/2001	Leto	
6,402,104 B1	6/2002	Smith	
D483,587 S	12/2003	Snell	
6,991,200 B2	1/2006	Stillman	
D532,235 S	11/2006	Snell	
D532,570 S *	11/2006	Vizcarra et al.	D32/55
D532,639 S	11/2006	Snell	



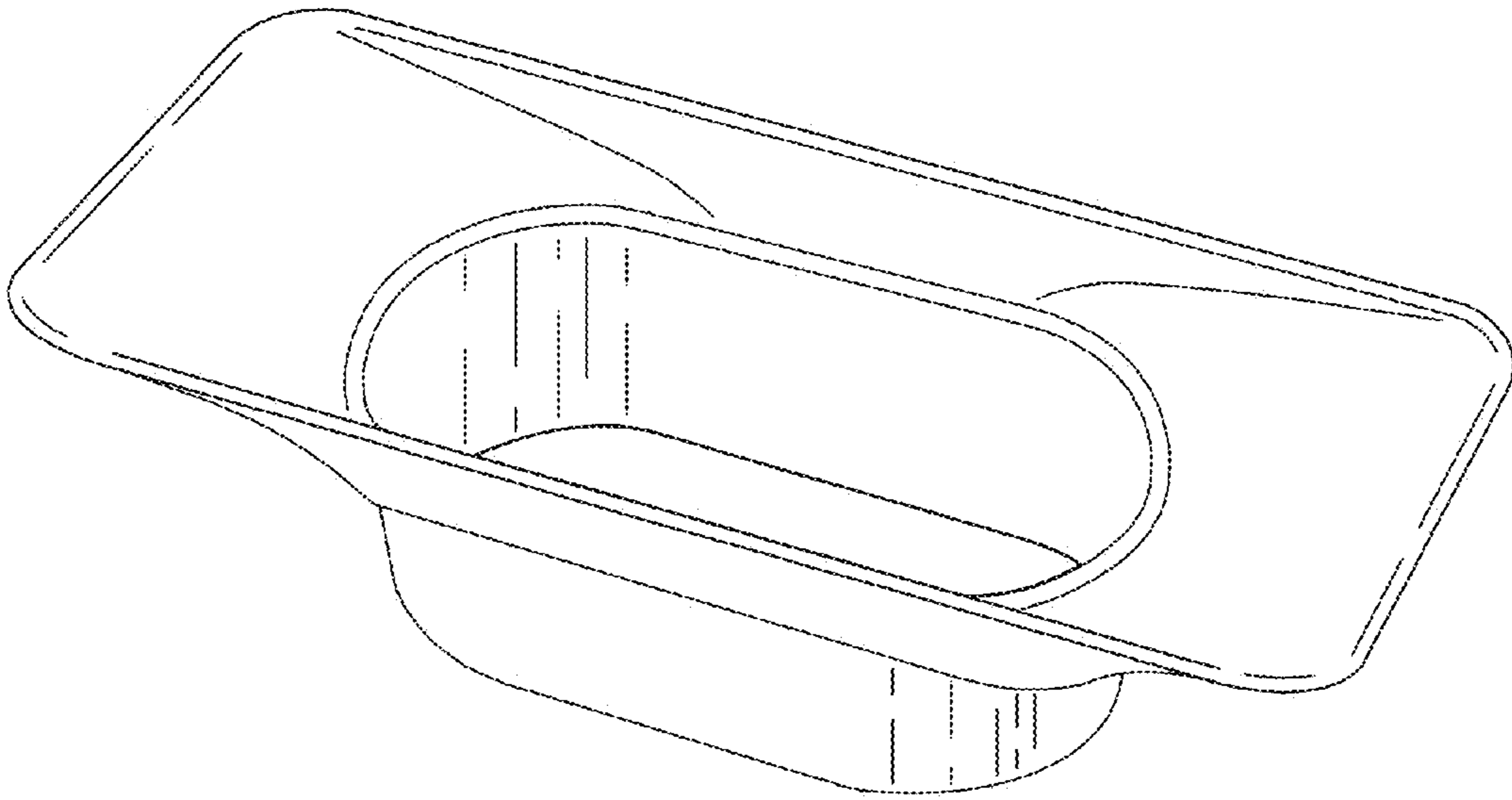


Fig. 1

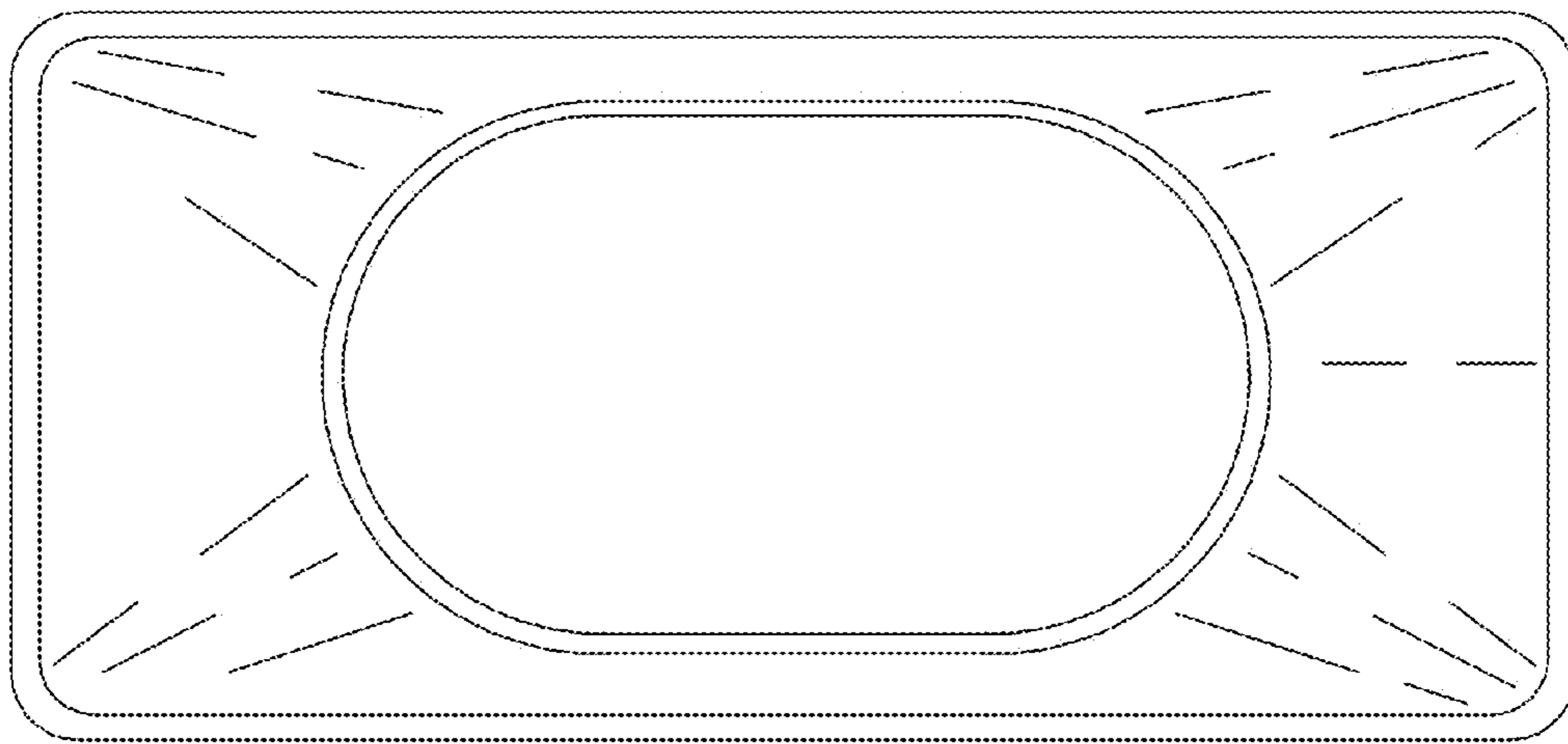


Fig. 2

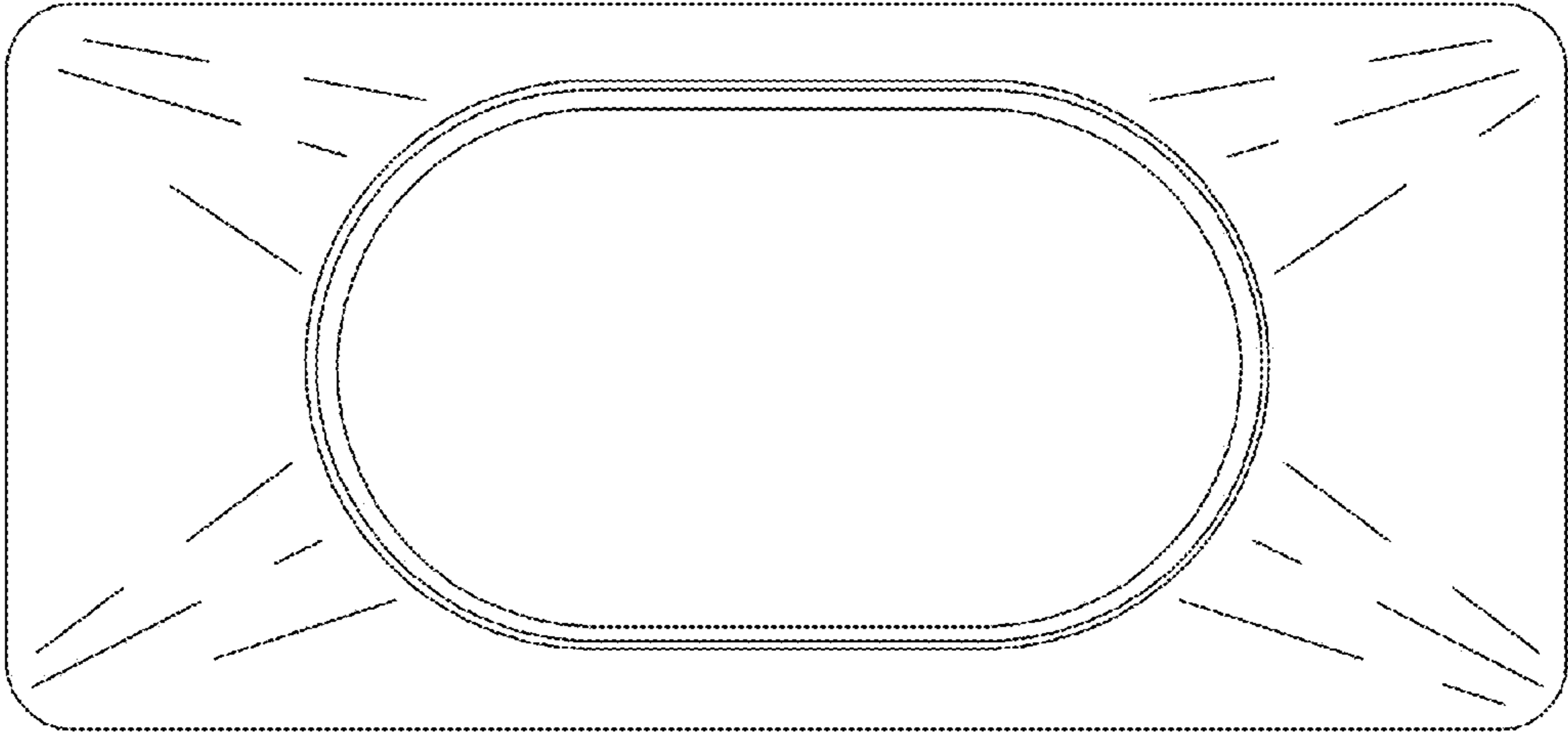


Fig. 3

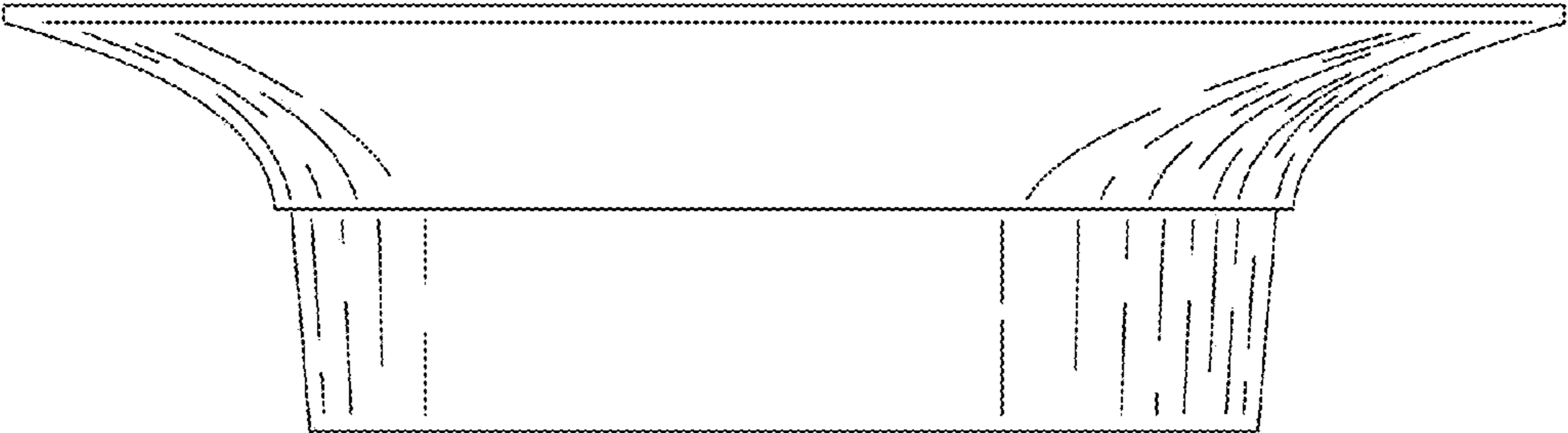


Fig. 4

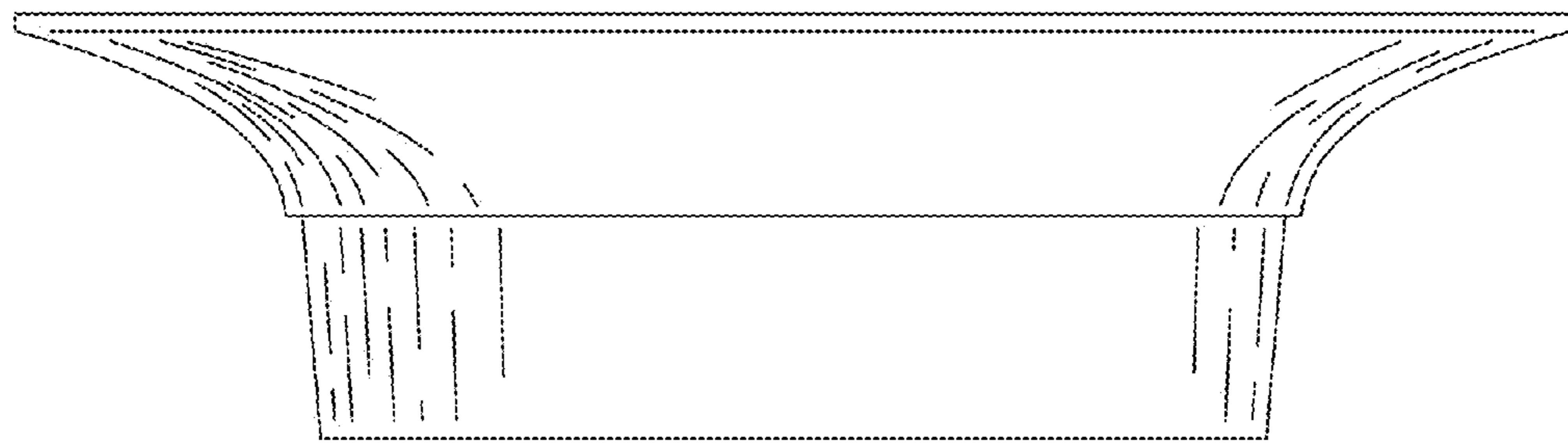


Fig. 5

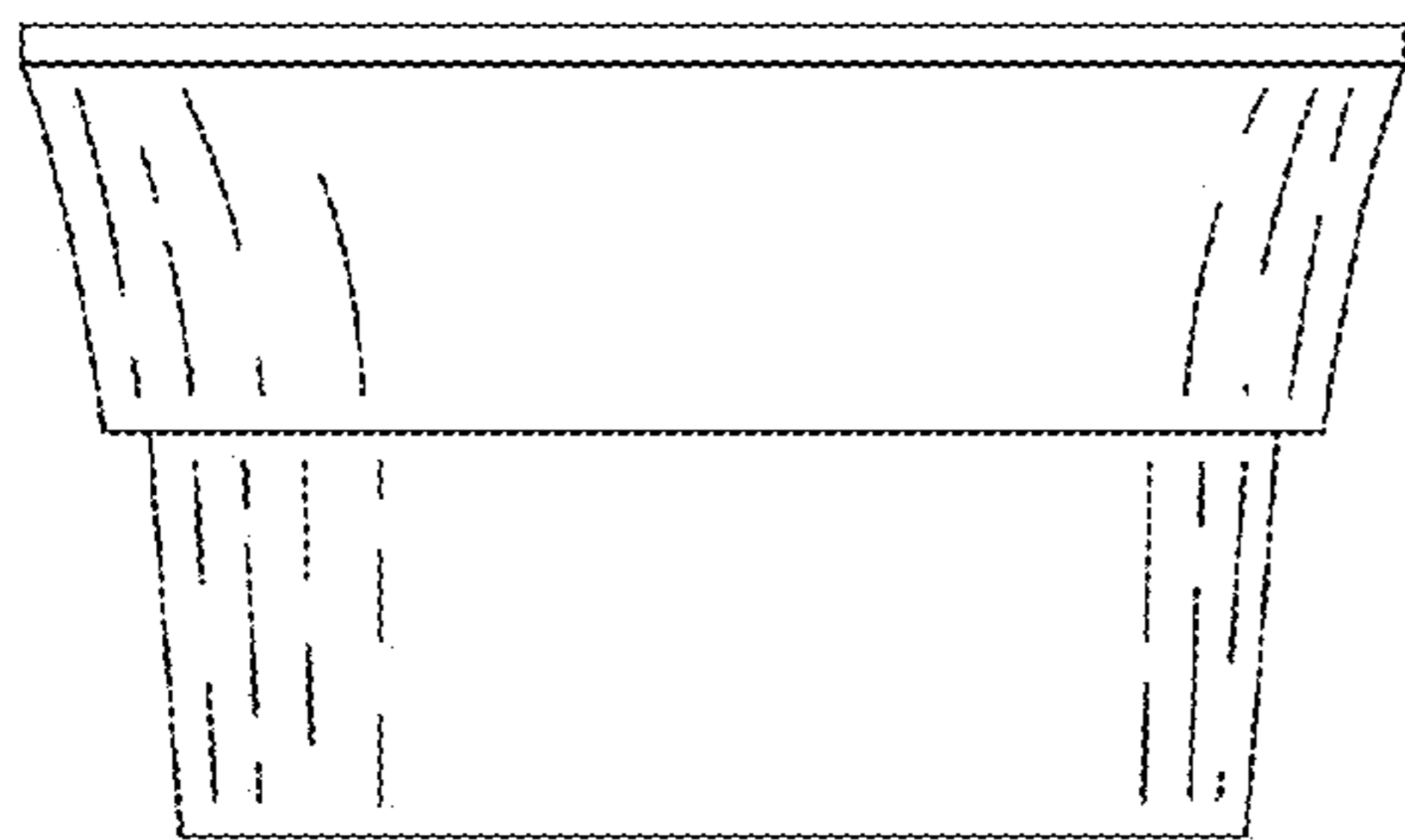


Fig. 6

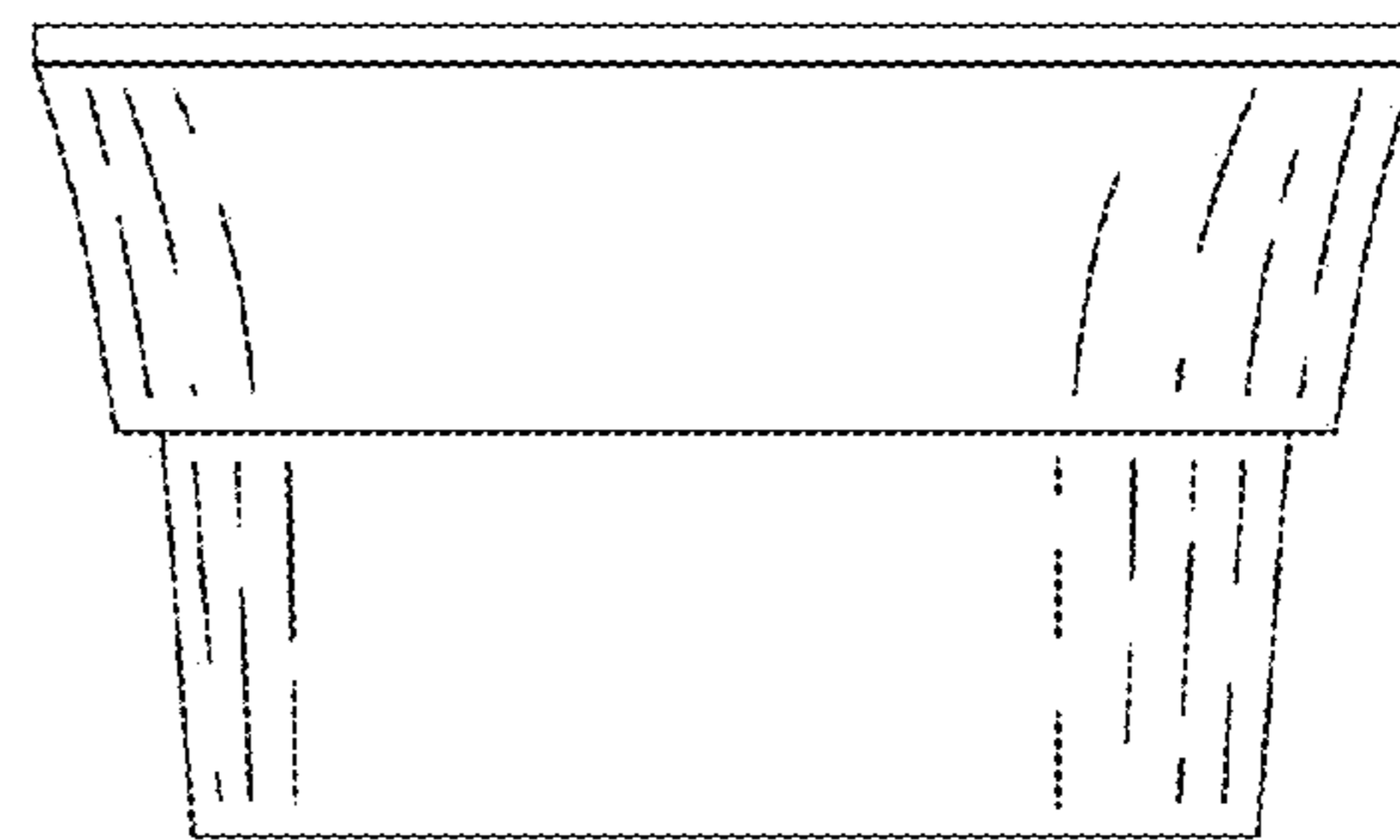


Fig. 7