



US00D701661S

(12) **United States Design Patent**
Bruders et al.

(10) **Patent No.:** **US D701,661 S**
(45) **Date of Patent:** **** Mar. 25, 2014**

(54) **EXTRACTOR PORT HOUSING**
(75) Inventors: **William Bruders**, Sedro Woolley, WA (US); **Brett Bartholmey**, Bellingham, WA (US); **Bill Elmer Richardson**, Prescott Vallley, AZ (US); **Scott Beaudette**, Dewey, AZ (US)
(73) Assignee: **Dri-Eaz Products, Inc.**, Burlington, WA (US)

2,156,890 A 5/1939 Wuringer
2,164,392 A 7/1939 Ellis
2,210,030 A 8/1940 Ellis
2,219,802 A 10/1940 Bjorkman
2,240,005 A 4/1941 Moyer
2,276,944 A 3/1942 Dow
2,280,751 A 4/1942 Davis
2,533,697 A 12/1950 Stewart
2,554,238 A 5/1951 Burrl

(Continued)

(**) Term: **14 Years**
(21) Appl. No.: **29/431,162**

FOREIGN PATENT DOCUMENTS

AU 6869694 1/1995
AU 1471595 A 7/1995

(Continued)

(22) Filed: **Sep. 4, 2012**
(51) **LOC (10) Cl.** **15-05**
(52) **U.S. Cl.**
USPC **D32/32**
(58) **Field of Classification Search**
USPC D32/17-18, 31-33; 15/321-322,
15/415.1-422.1, 246.2, 400, 353; 38/77.5,
38/77.9; 392/384, 404; 68/5 R, 5 A, 222;
223/51, 70, 73; 239/538
See application file for complete search history.

OTHER PUBLICATIONS

Dri-Eaz, "Rescue Mat System," <<http://www.dri-eaz.com/VTC/RescueMat.html>>, internet accessed on Jun. 20, 2005, 7 pages.

(Continued)

Primary Examiner — Ruth McInroy
(74) *Attorney, Agent, or Firm* — Perkins Coie LLP

(56) **References Cited**

(57) **CLAIM**
We claim the ornamental design for an extractor port housing, as shown and described.

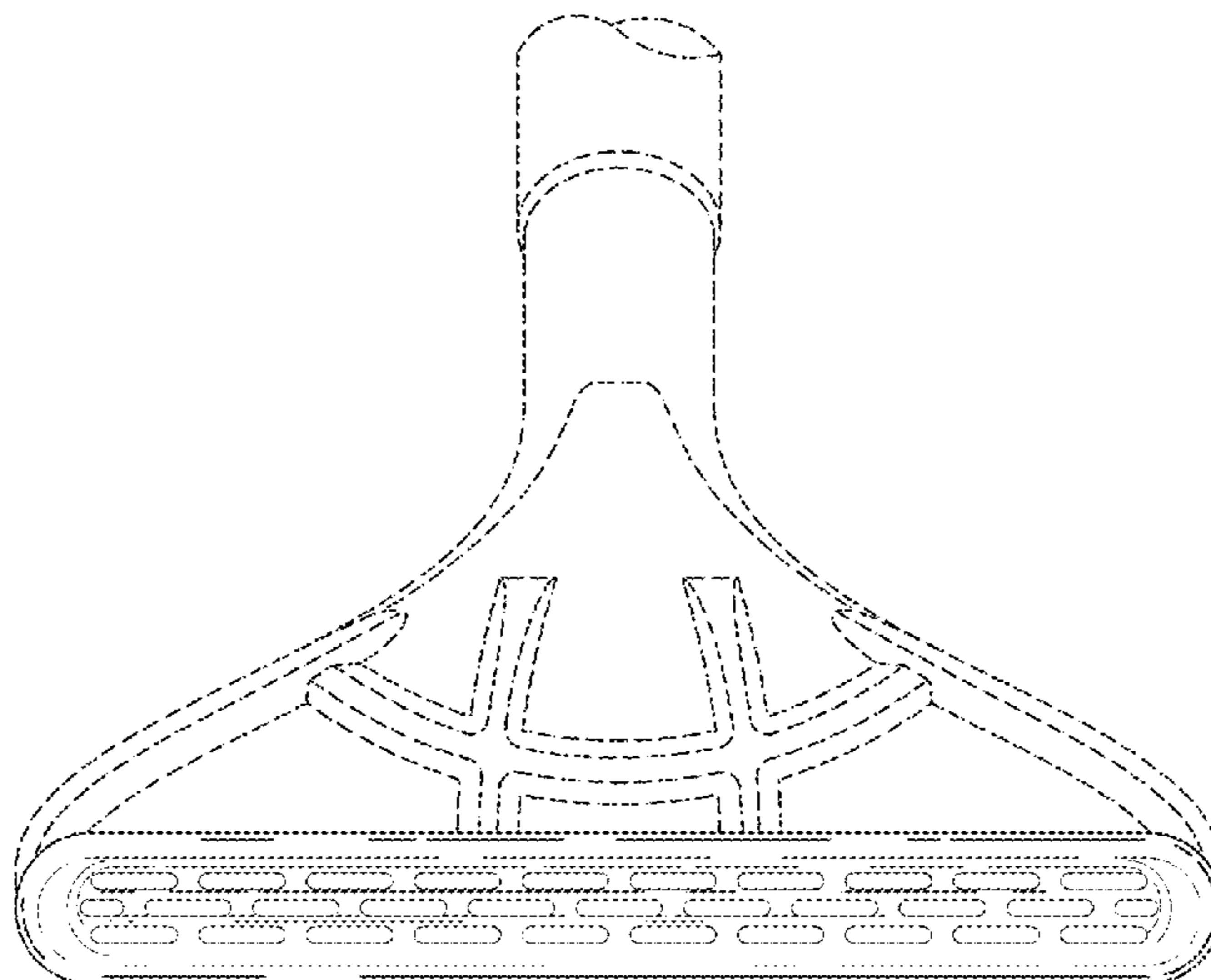
U.S. PATENT DOCUMENTS

855,433 A 5/1907 Freeman
896,290 A 8/1908 Freeman
930,134 A 8/1909 Blackall
933,003 A 8/1909 Smith
1,016,435 A 2/1912 Overholt
1,042,711 A 10/1912 Moorhead
1,601,774 A 10/1926 Scheffer
1,661,553 A 3/1928 Baar
1,703,551 A 2/1929 Singer
1,821,715 A 9/1931 Kuchinsky
1,929,345 A 10/1933 Brown et al.
1,992,238 A 2/1935 Rose
2,081,597 A 5/1937 Nowak

DESCRIPTION

FIG. 1 is a bottom isometric view of an extractor port housing showing our new design.
FIG. 2 is a front view thereof;
FIG. 3 is a rear view thereof;
FIG. 4 is a left side view thereof;
FIG. 5 is a top view thereof; and,
FIG. 6 is a bottom view thereof.
The broken lines form no part of the claimed design.

1 Claim, 3 Drawing Sheets



(56)

References Cited

U.S. PATENT DOCUMENTS

2007/0061996 A1 3/2007 Boone
2007/0079472 A1 4/2007 Carter et al.
2008/0184520 A1 8/2008 Wolfe et al.
2009/0038105 A1 2/2009 Mayer
2009/0094784 A1 4/2009 Pedlar et al.
2009/0288685 A1 11/2009 Wolfe et al.
2010/0223750 A1 9/2010 Kappos et al.

FOREIGN PATENT DOCUMENTS

AU 199923942 B2 8/2001
CA 02559485 A1 9/2005
CA 02568203 A1 12/2005
GB 663211 A 12/1951

GB 2145620 A 4/1985
WO WO-0106188 A1 1/2001
WO WO-2005118959 A1 12/2005

OTHER PUBLICATIONS

Injectidry Systems, Inc., "Product Page," <<http://web.archive.org/web/20000520132110/www.injectidry.com/product.htm>>, internet accessed on May 20, 2005, 3 pages.

Injectidry Systems, Inc., "Vac-It Panels," <<http://web.archive.org/web/20021222211319/www.injectidry.com/vpanel.htm>>, internet accessed on Jun. 20, 2005, 2 pages.

JonDon, "DryPro Water Vac", <<http://www.jondon.com>>, internet accessed on Apr. 2, 2010, 2 pages.

WaterClaw, "FlashXtractor," product brochure, undated, 2 pages.

"TMF Review: Flash Xtractor by Waterclaw," <http://www.youtube.com/watch?v=ts0xmTmBFsY>, uploaded Jul. 2, 2010, 1 page.

* cited by examiner

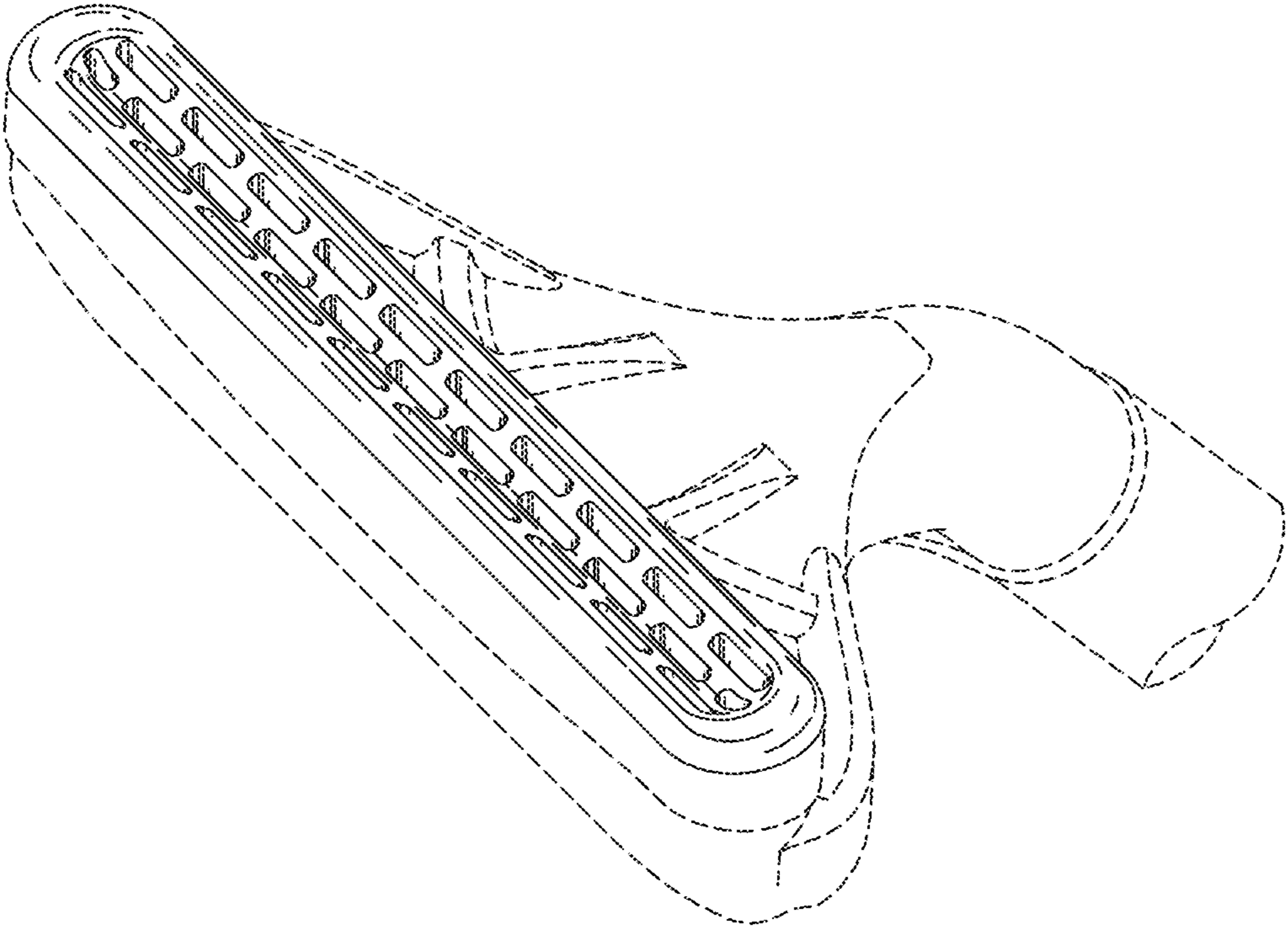


Fig. 1

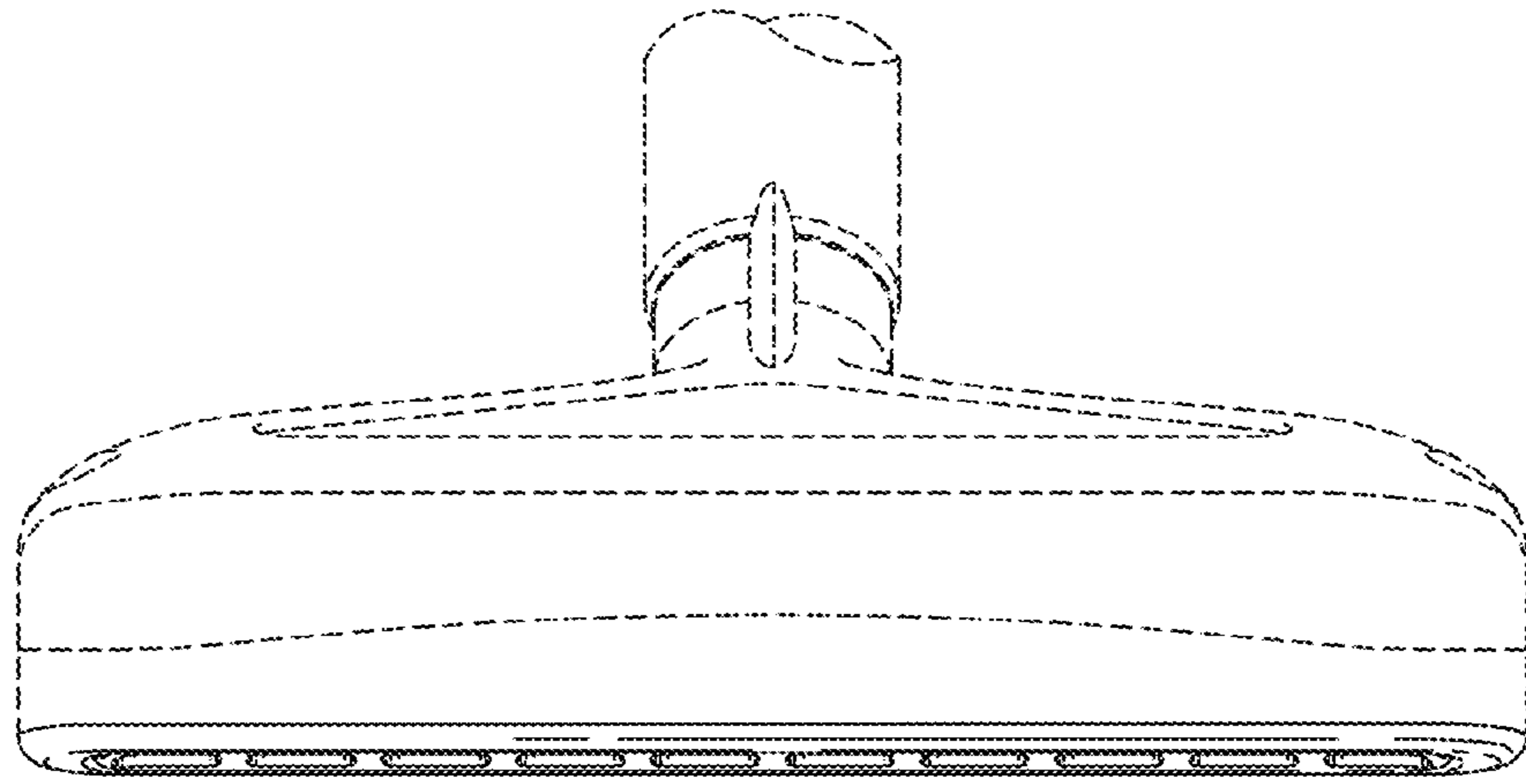


Fig. 2

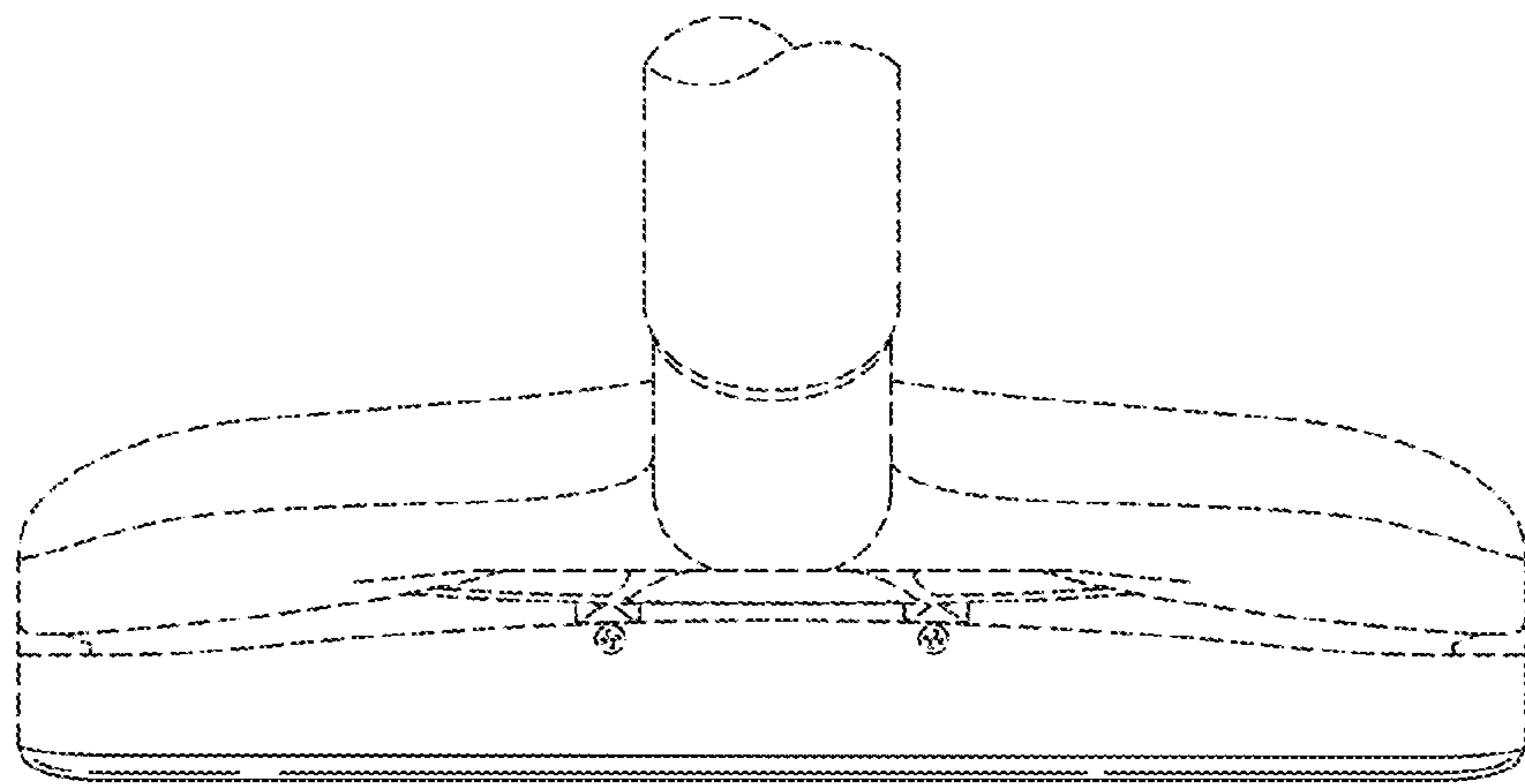


Fig. 3

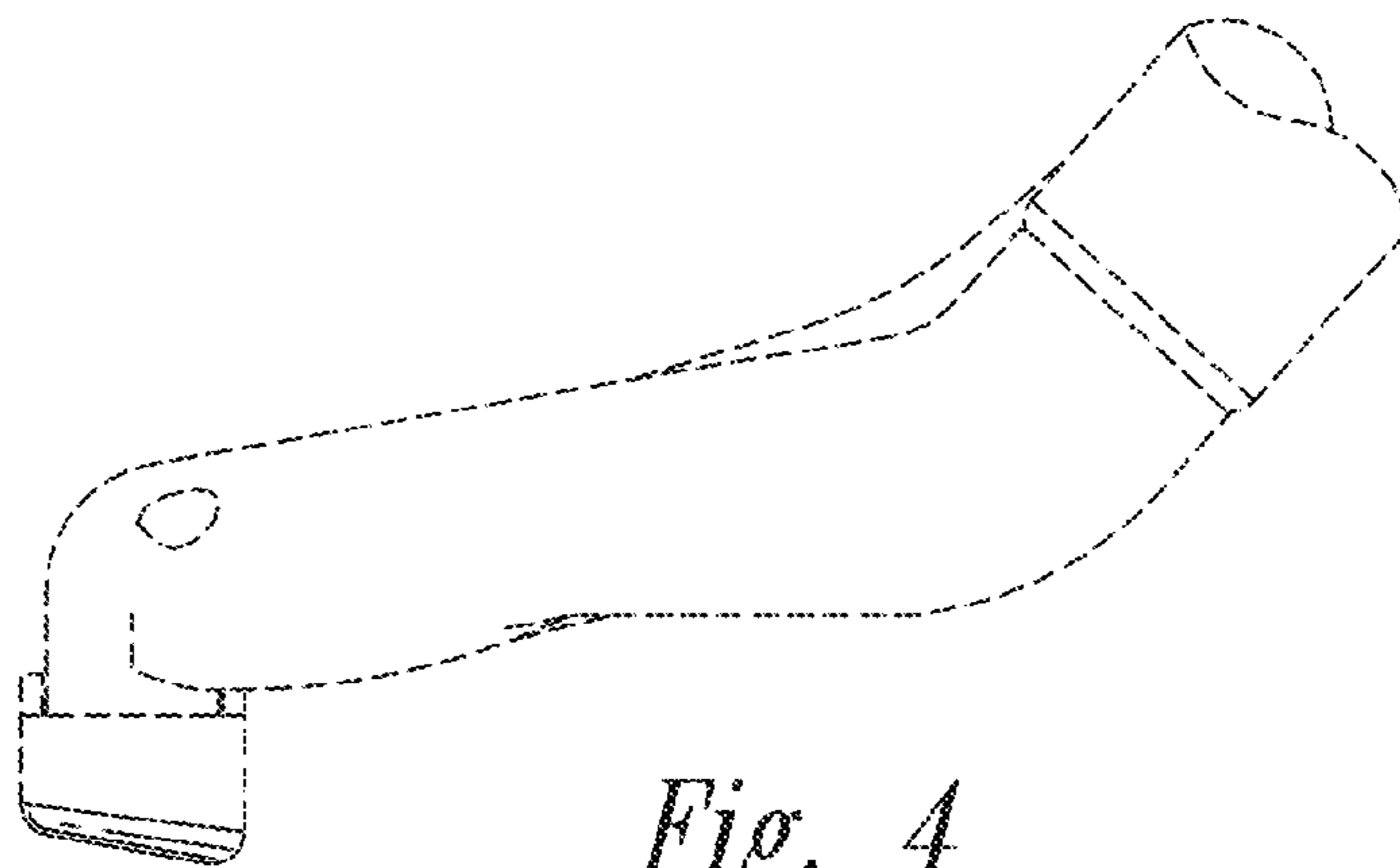


Fig. 4

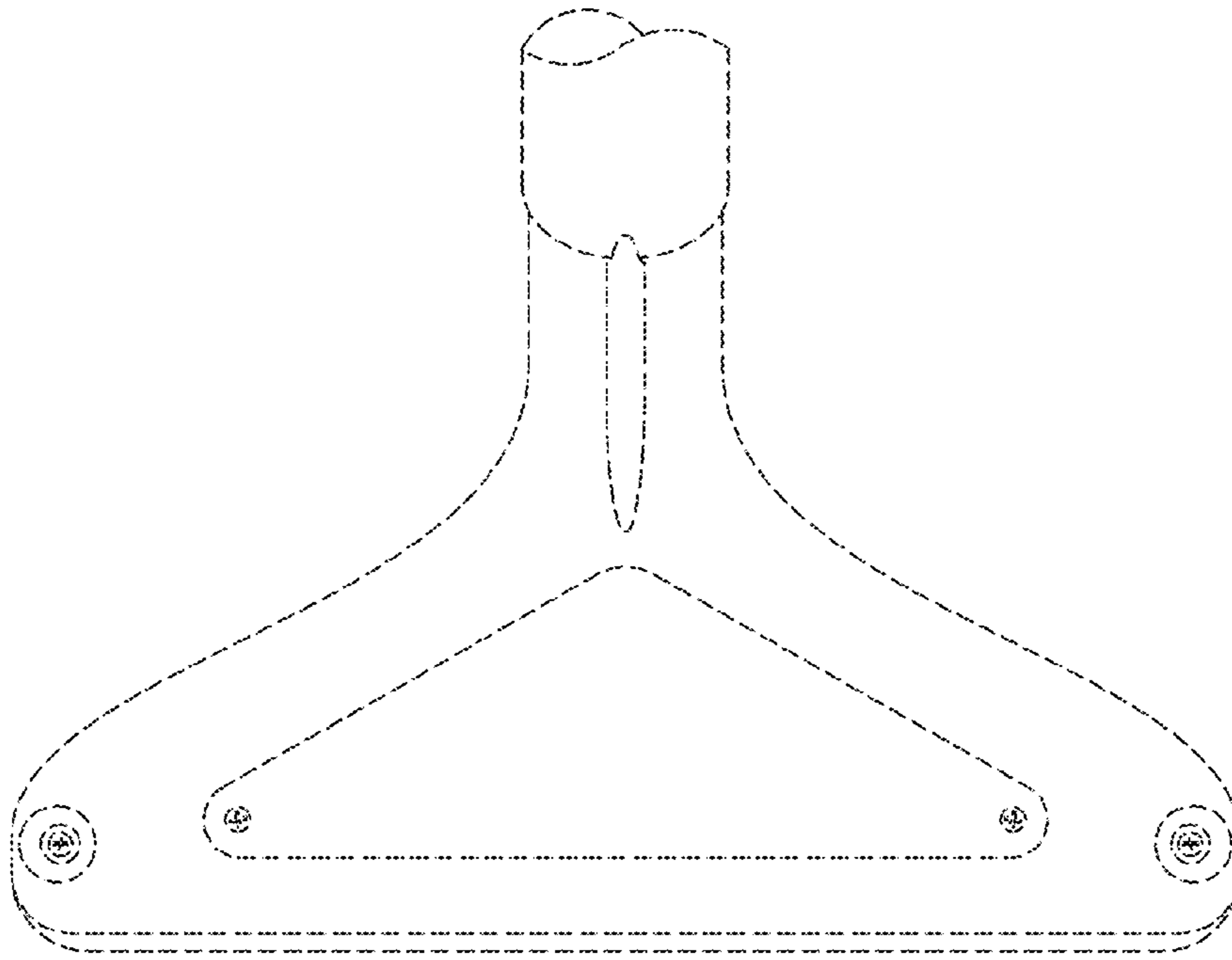


Fig. 5

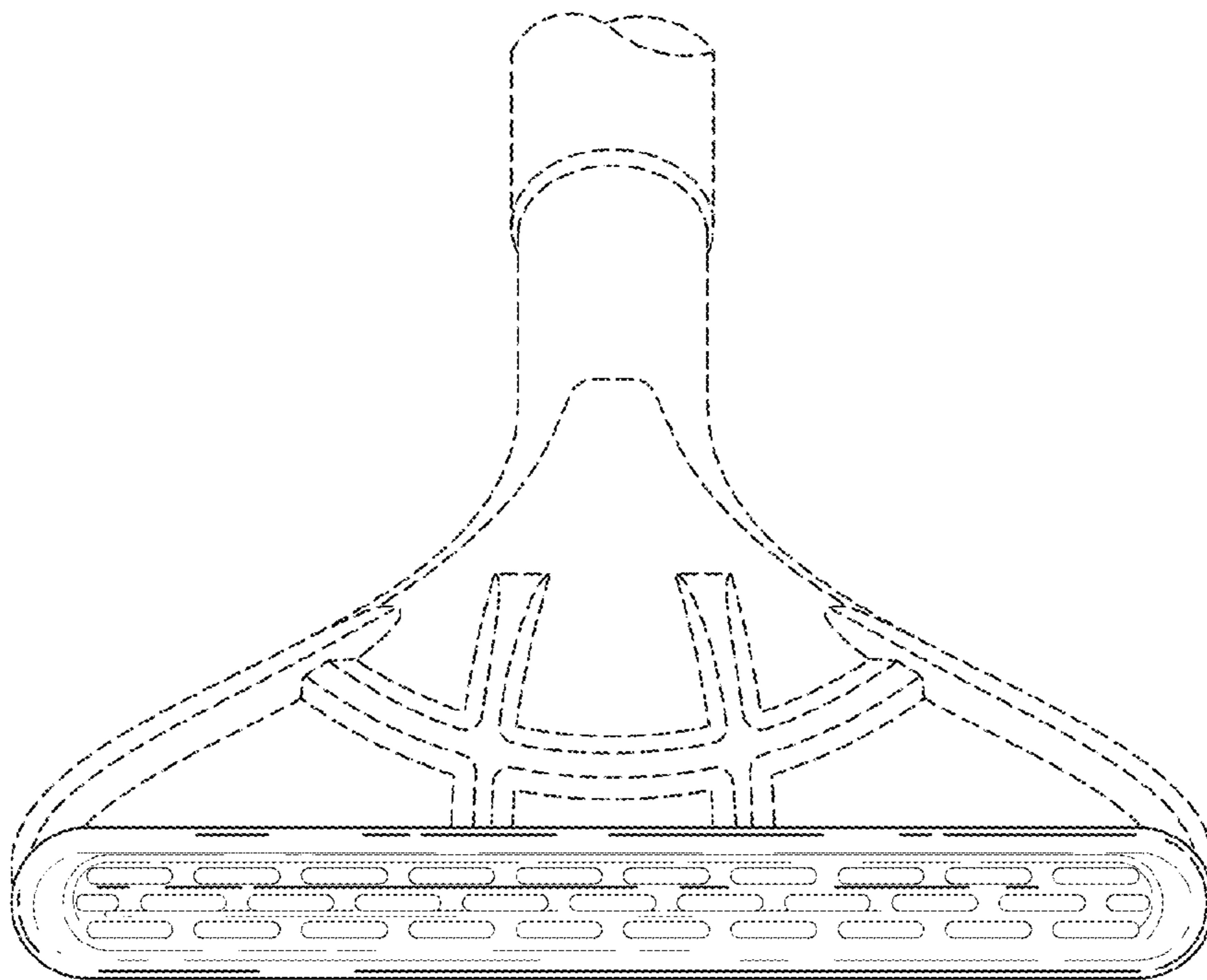


Fig. 6