



US00D701659S

(12) **United States Design Patent**
Choi et al.

(10) **Patent No.:** **US D701,659 S**
(45) **Date of Patent:** **** Mar. 25, 2014**

(54) **CLOTHES DRYER**

(71) Applicant: **Samsung Electronics Co., Ltd.**,
Suwon-Si (KR)

(72) Inventors: **Hyoungsub Choi**, Seoul (KR); **Tae Hyoung Cho**, Seoul (KR); **Kisang Yoon**, Daejeon-si (KR); **Junghoon Hwang**, Yongin-si (KR); **Jaewon Choi**, Seoul (KR)

(73) Assignee: **Samsung Electronics Co., Ltd.**,
Gyeonggi-do (KR)

(**) Term: **14 Years**

(21) Appl. No.: **29/457,987**

(22) Filed: **Jun. 14, 2013**

(30) **Foreign Application Priority Data**

Dec. 17, 2012 (KR) 30-2012-0060867

(51) **LOC (10) Cl.** **15-05**

(52) **U.S. Cl.**
USPC **D32/8**

(58) **Field of Classification Search**
USPC D32/1, 5, 6, 8, 10; 68/3 R, 5 R, 12.01,
68/12.07, 12.08, 212; 34/87-88, 523-524
See application file for complete search history.

(56) **References Cited**

U.S. PATENT DOCUMENTS

D292,630 S * 11/1987 Nagai et al. D32/8
D360,501 S * 7/1995 Ertz et al. D32/6
D360,716 S * 7/1995 Ertz et al. D32/8

5,661,914 A * 9/1997 Millet 34/601
D524,000 S * 6/2006 Kim et al. D32/6
D527,853 S * 9/2006 Carey et al. D32/6
D532,941 S * 11/2006 Carey et al. D32/6
D575,464 S * 8/2008 Rossetto et al. D32/8
D619,314 S * 7/2010 Bixby et al. D32/25
D620,212 S * 7/2010 Bixby et al. D32/25
D630,807 S * 1/2011 Song et al. D32/6
D651,778 S * 1/2012 Miller et al. D32/25
8,523,300 B2 * 9/2013 Najera Bernal et al. 312/228

* cited by examiner

Primary Examiner — T. Chase Nelson

Assistant Examiner — Kathleen M Sims

(74) *Attorney, Agent, or Firm* — Harness, Dickey & Pierce,
P.L.C.

(57) **CLAIM**

The ornamental design for a clothes dryer, as shown and described.

DESCRIPTION

FIG. 1 is the front/right-side/top perspective view of a clothes dryer showing our new design;

FIG. 2 is the front elevational view thereof;

FIG. 3 is the rear elevational view thereof;

FIG. 4 is the left-side elevational view thereof;

FIG. 5 is the right-side elevational view thereof;

FIG. 6 is a top plan view thereof; and,

FIG. 7 is the bottom plan view thereof.

The surface treatment of the clothes dryer shown in the figures forms no part of the claimed design, a clothes dryer according to the claimed design may have any surface treatment.

The broken lines shown in the drawings represent unclaimed portions of clothes dryer.

1 Claim, 7 Drawing Sheets

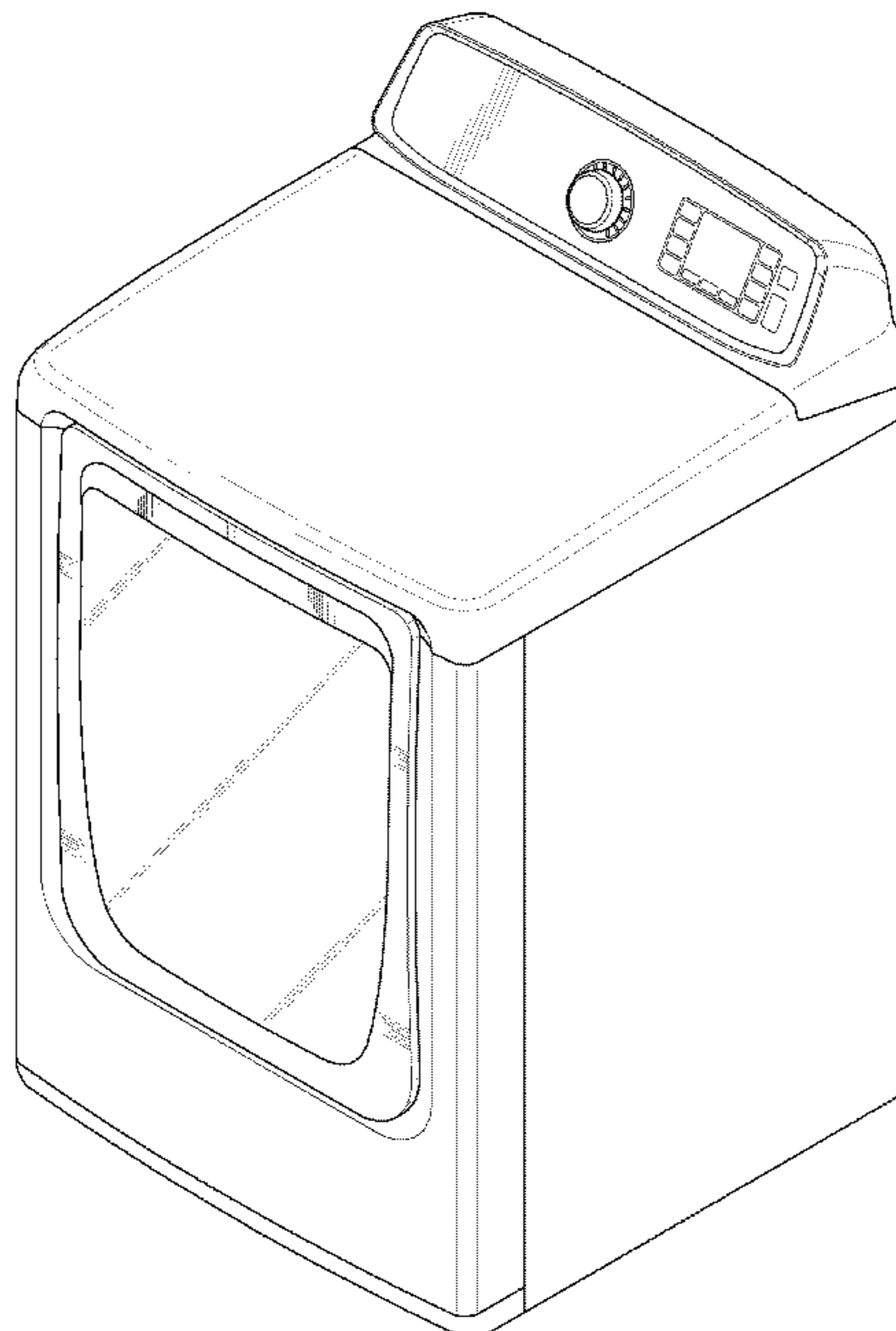


FIG. 1

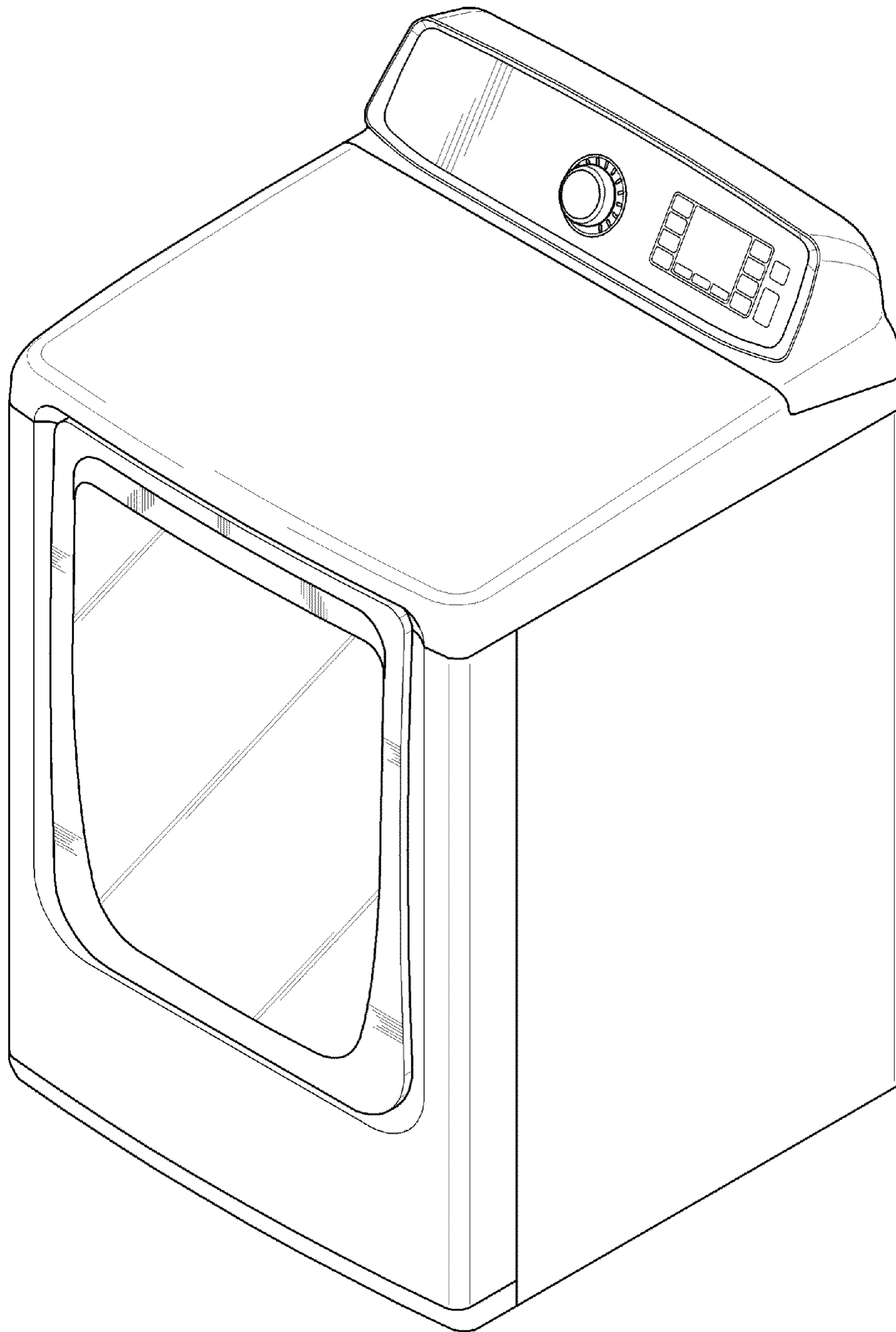


FIG. 2

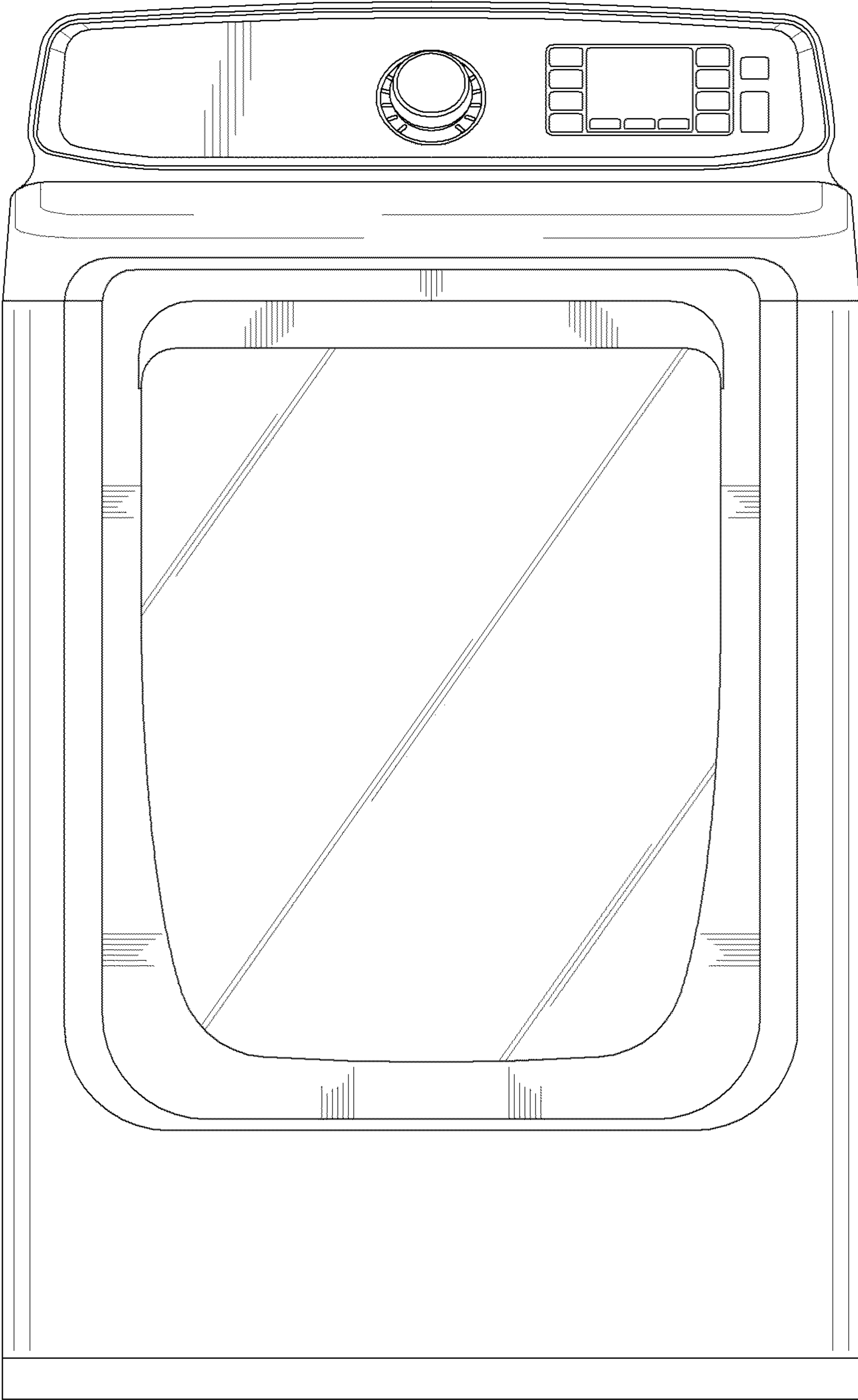


FIG. 3

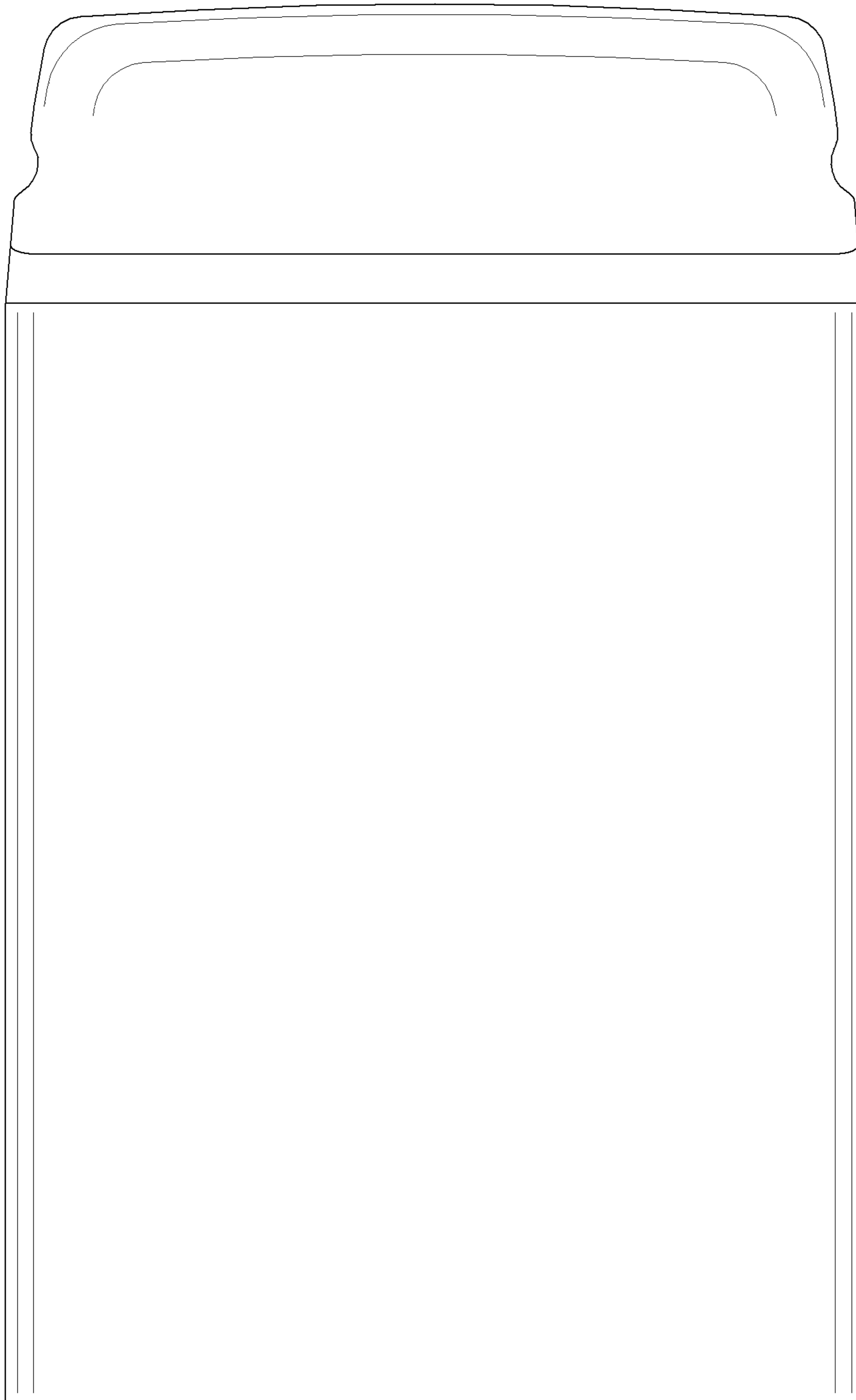


FIG. 4

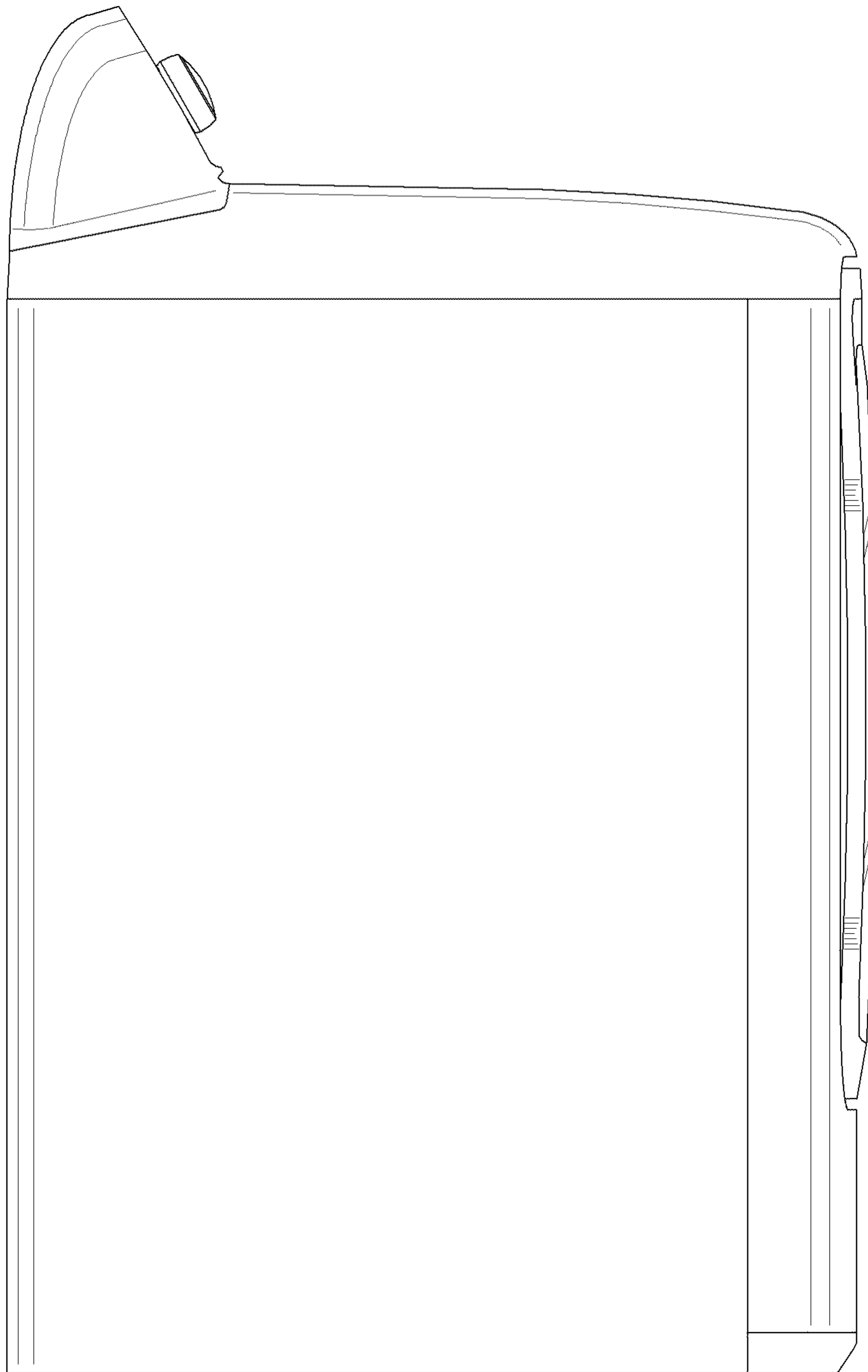


FIG. 5

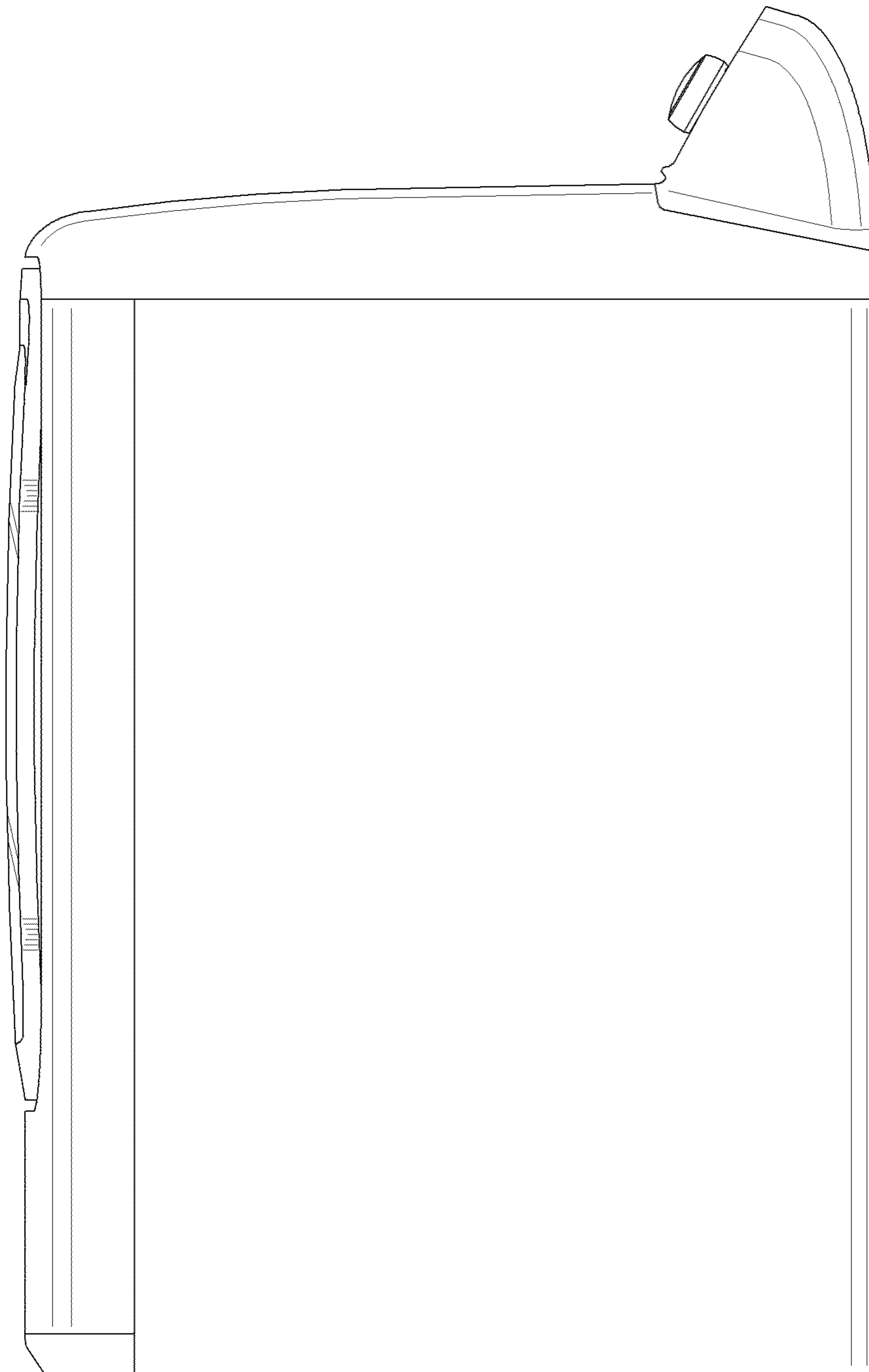


FIG. 6

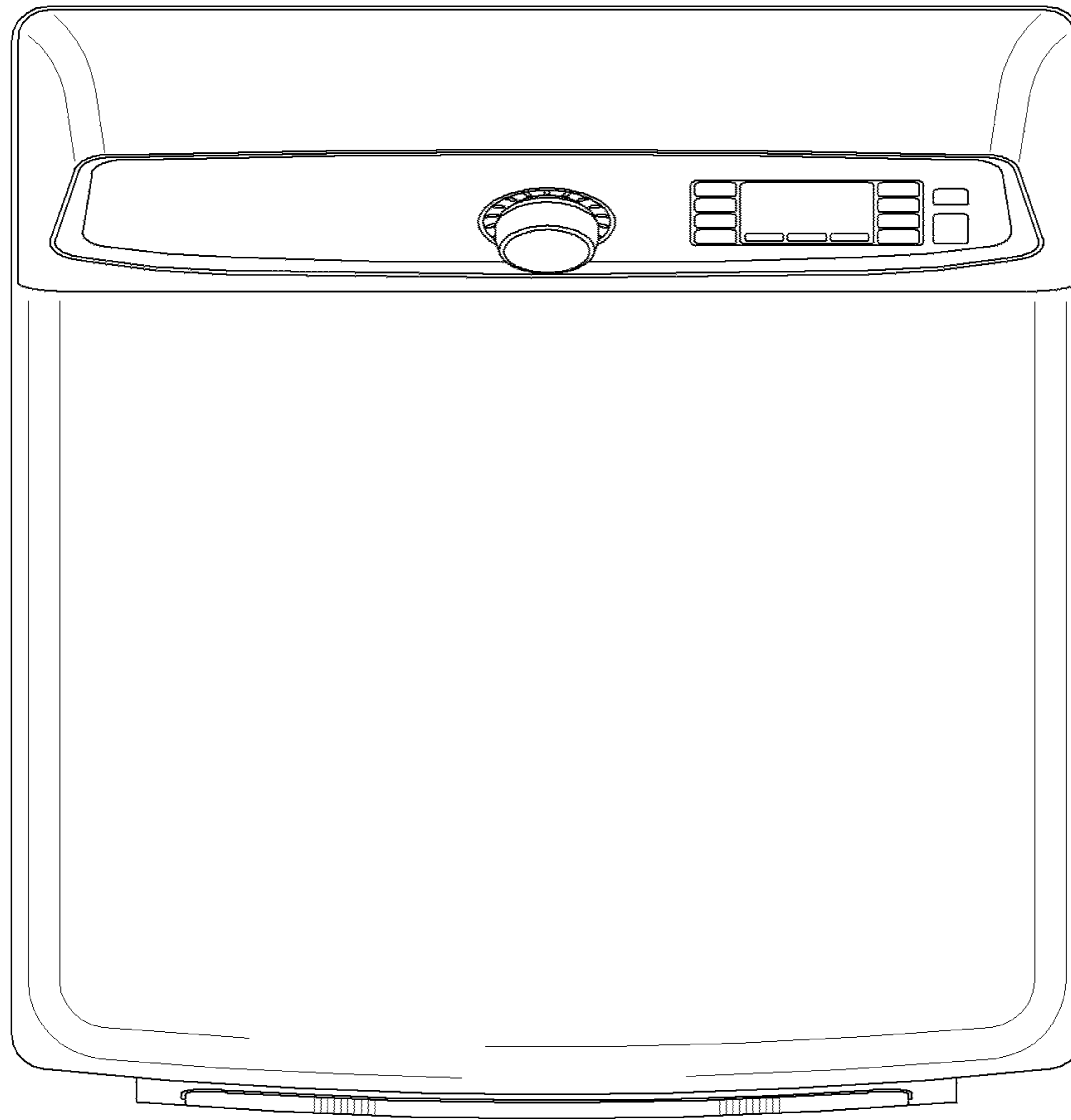


FIG. 7

