



US00D701657S

(12) **United States Design Patent**
Chung et al.

(10) **Patent No.:** **US D701,657 S**
(45) **Date of Patent:** **** Mar. 25, 2014**

- (54) **ELECTRIC WASHING MACHINE**
- (71) Applicant: **LG Electronics Inc.**, Seoul (KR)
- (72) Inventors: **Wookjun Chung**, Seoul (KR); **Hoil Jeon**, Gyeonggi-do (KR); **Youjin Chung**, Gyeonggi-do (KR); **Yeji Um**, Seoul (KR); **Taewoo Yoo**, Seoul (KR)
- (73) Assignee: **LG Electronics Inc.**, Seoul (KR)
- (**) Term: **14 Years**
- (21) Appl. No.: **29/468,672**
- (22) Filed: **Oct. 2, 2013**
- (30) **Foreign Application Priority Data**
Apr. 4, 2013 (KR) 30-2013-0017375
- (51) **LOC (10) Cl.** **15-05**
- (52) **U.S. Cl.**
USPC **D32/6**
- (58) **Field of Classification Search**
USPC D32/1, 5, 6, 8, 10; 68/3 R, 4, 5 R, 12.01, 68/12.07, 12.08, 212, 13 R, 27; 34/87-88, 34/523-524
See application file for complete search history.

- (56) **References Cited**
U.S. PATENT DOCUMENTS
6,618,887 B2 * 9/2003 Kim et al. 8/158
8,215,136 B2 * 7/2012 Kim et al. 68/27
D665,544 S * 8/2012 Jeon et al. D32/6
8,234,888 B2 * 8/2012 Kim et al. 68/13 R
D667,179 S * 9/2012 Jeon et al. D32/6
8,266,930 B2 * 9/2012 Jeong et al. 68/27
8,341,981 B2 * 1/2013 Kim et al. 68/3 R
8,561,438 B2 * 10/2013 Jeong et al. 68/13 R

- 2009/0145174 A1 * 6/2009 Kim et al. 68/27
- 2009/0145175 A1 * 6/2009 Kim et al. 68/27
- 2009/0145176 A1 * 6/2009 Kim et al. 68/27
- 2009/0145177 A1 * 6/2009 Kim et al. 68/13 R
- 2009/0146536 A1 * 6/2009 Kim et al. 312/228

* cited by examiner

Primary Examiner — T. Chase Nelson
Assistant Examiner — Kathleen M Sims

(74) *Attorney, Agent, or Firm* — Morgan, Lewis & Bockius LLP

(57) **CLAIM**
The ornamental design for an electric washing machine, as shown and described.

DESCRIPTION

FIG. 1 is a perspective view of the electric washing machine showing our new design;
 FIG. 2 is a front view thereof;
 FIG. 3 is a rear view thereof;
 FIG. 4 is a left side view thereof where the right side view is a mirror image;
 FIG. 5 is a top plan view thereof;
 FIG. 6 is a bottom plan view thereof;
 FIG. 7 is a perspective view thereof shown in an environmental setting;
 FIG. 8 is a perspective view showing the state in which the cover of the electric washing machine has been closed;
 FIG. 9 is a front view of FIG. 8;
 FIG. 10 is a rear view of FIG. 8;
 FIG. 11 is a left side view of FIG. 8 where the right side view is a mirror image;
 FIG. 12 is a top plan view of FIG. 8; and,
 FIG. 13 is a bottom plan view of FIG. 8.
 The broken lines are for purposes of illustrating environmental structures, as well as portions of the electric washing machine, that form no part of the claimed design.

1 Claim, 13 Drawing Sheets

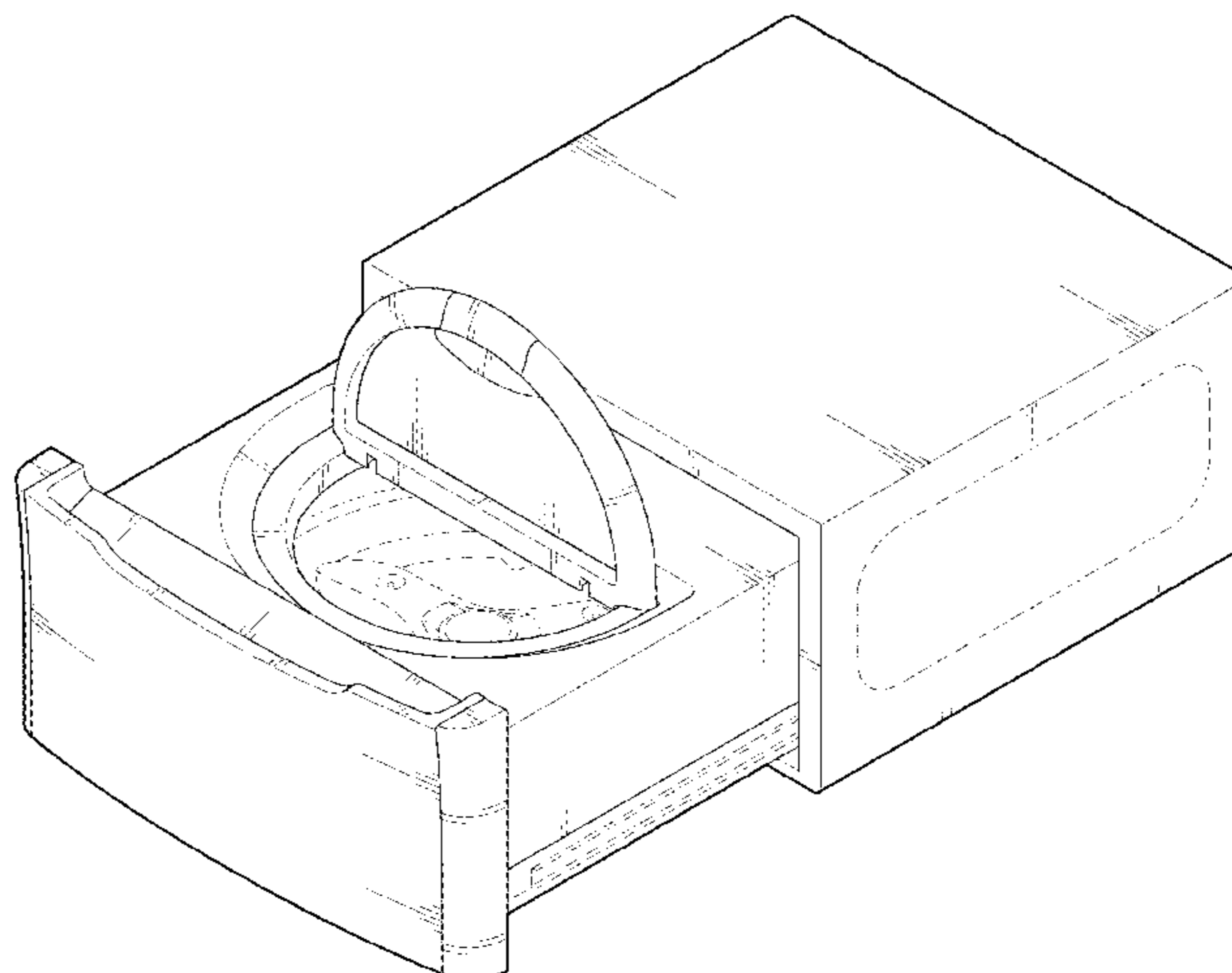


FIG. 1

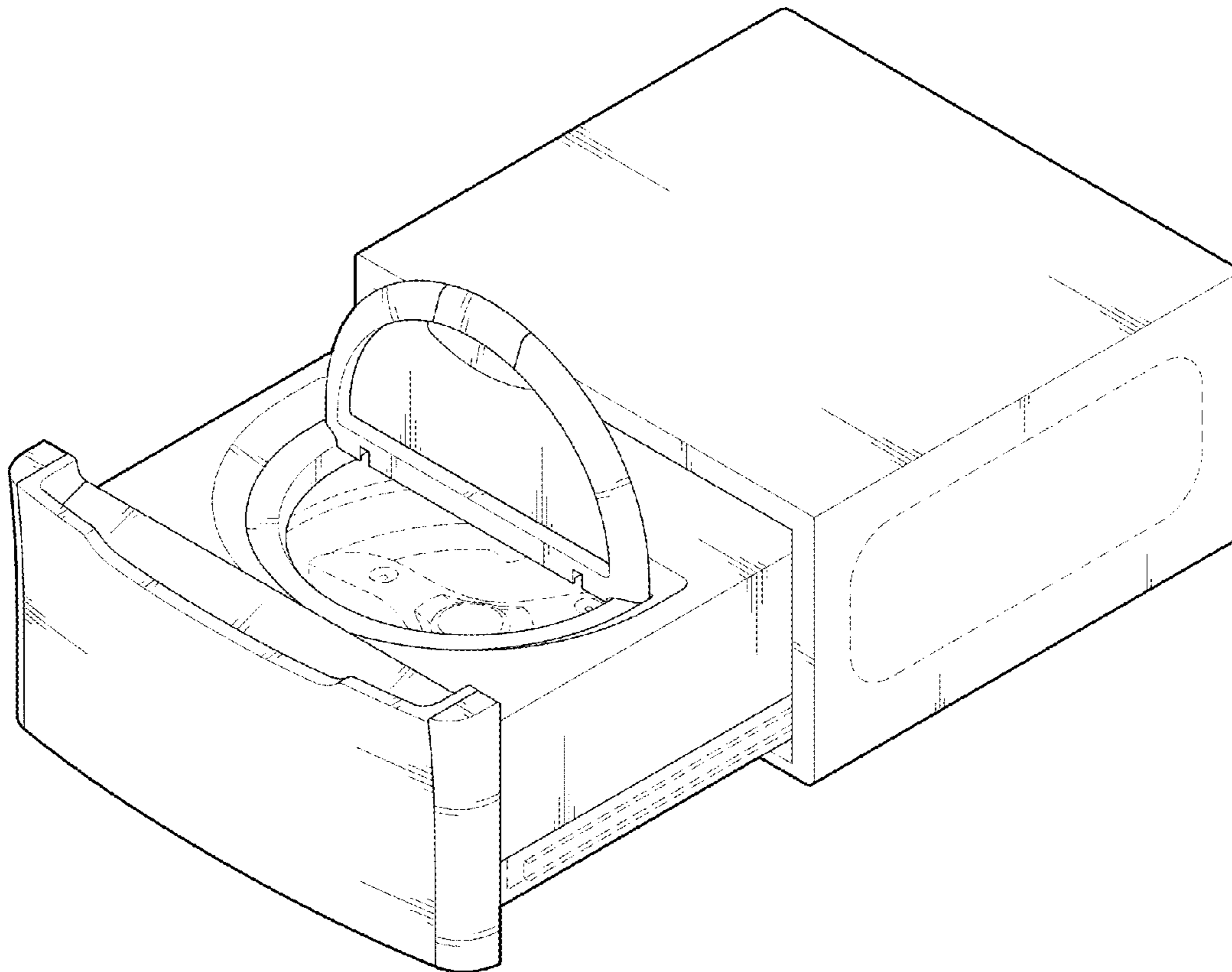


FIG. 2

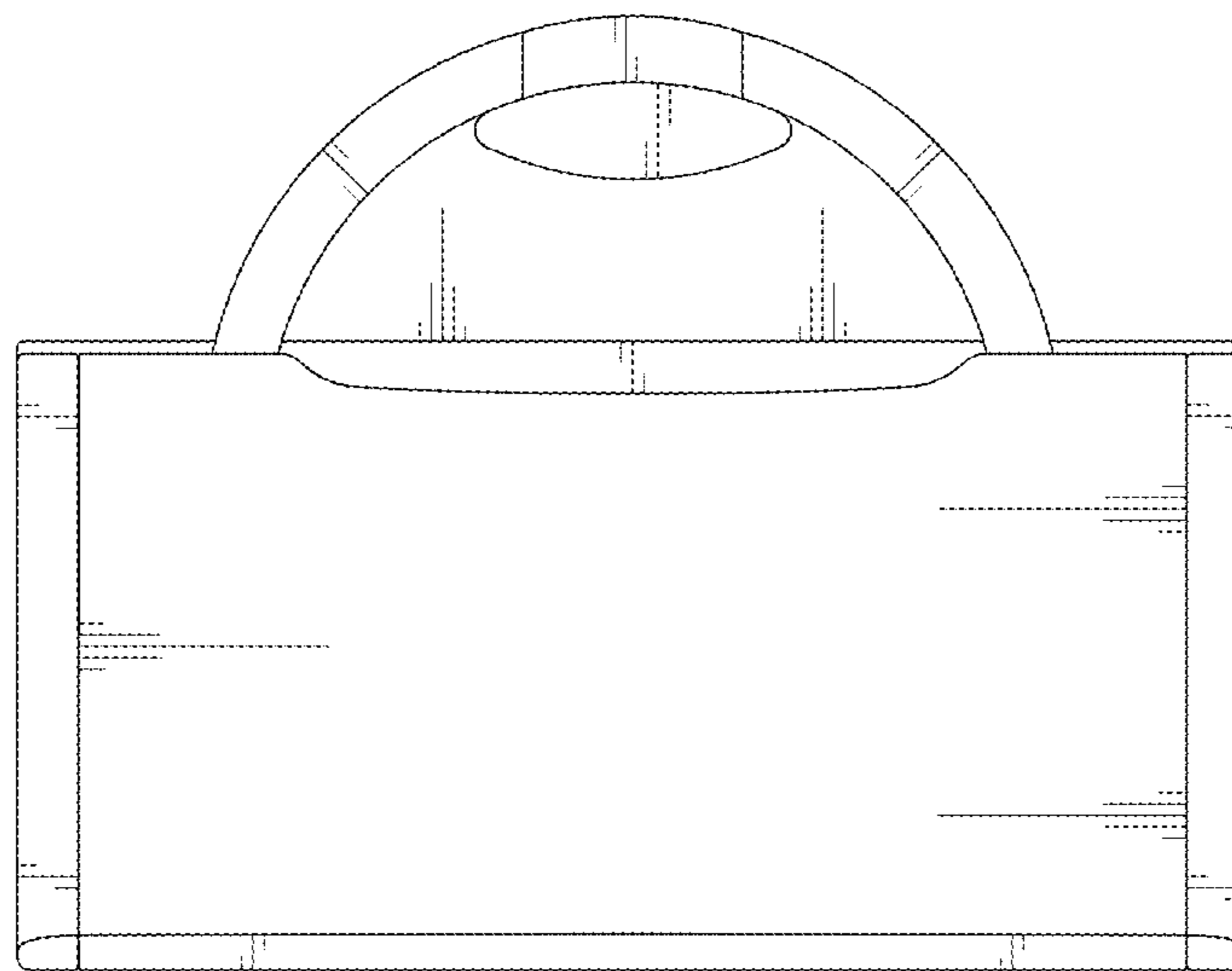


FIG. 3

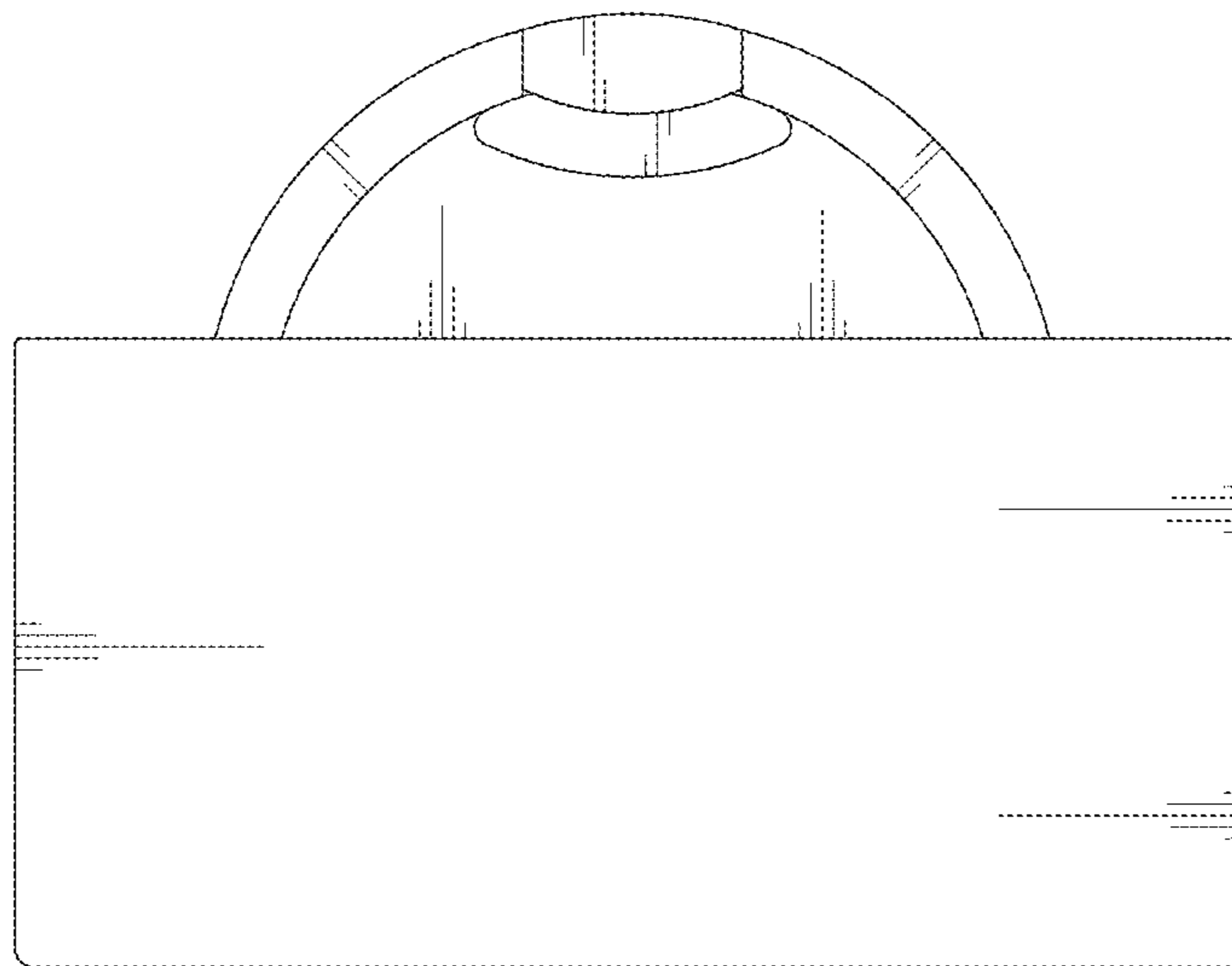


FIG. 4

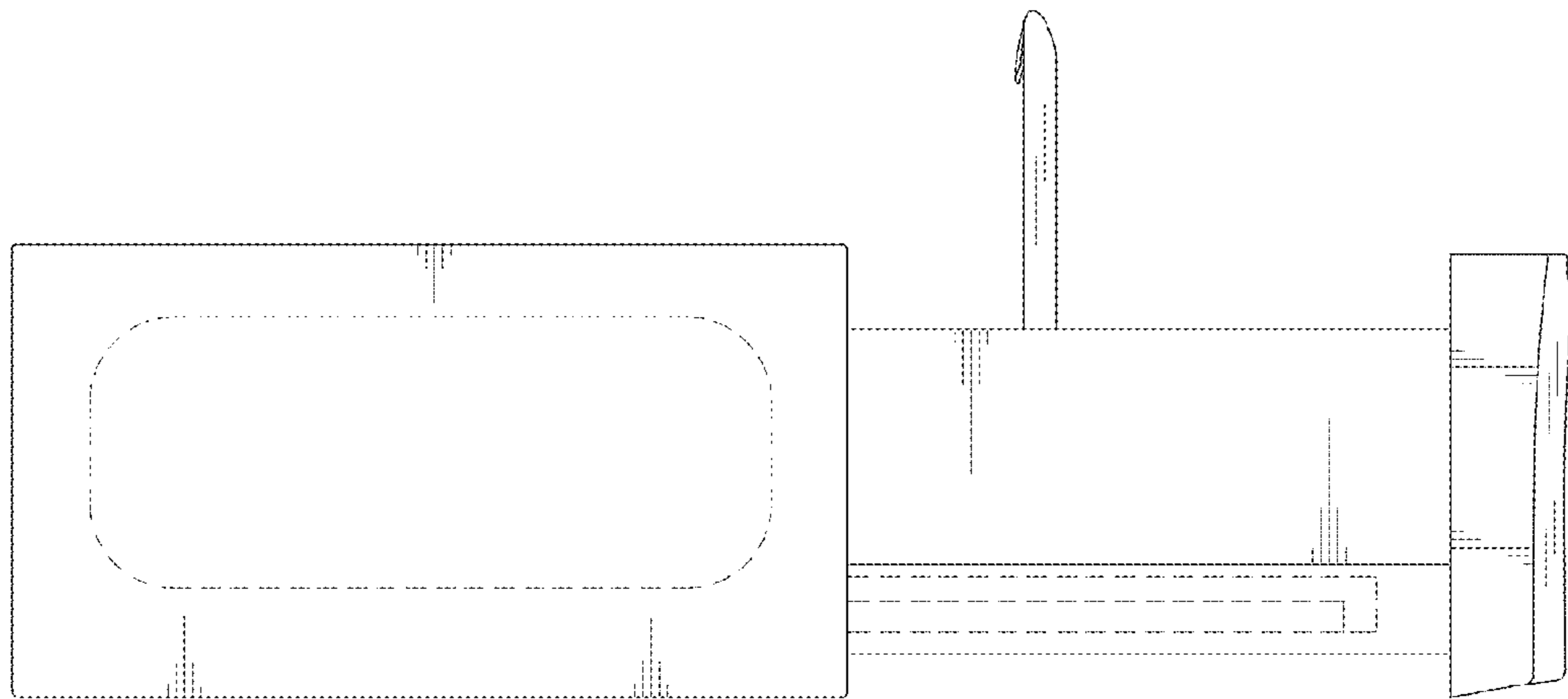


FIG. 5

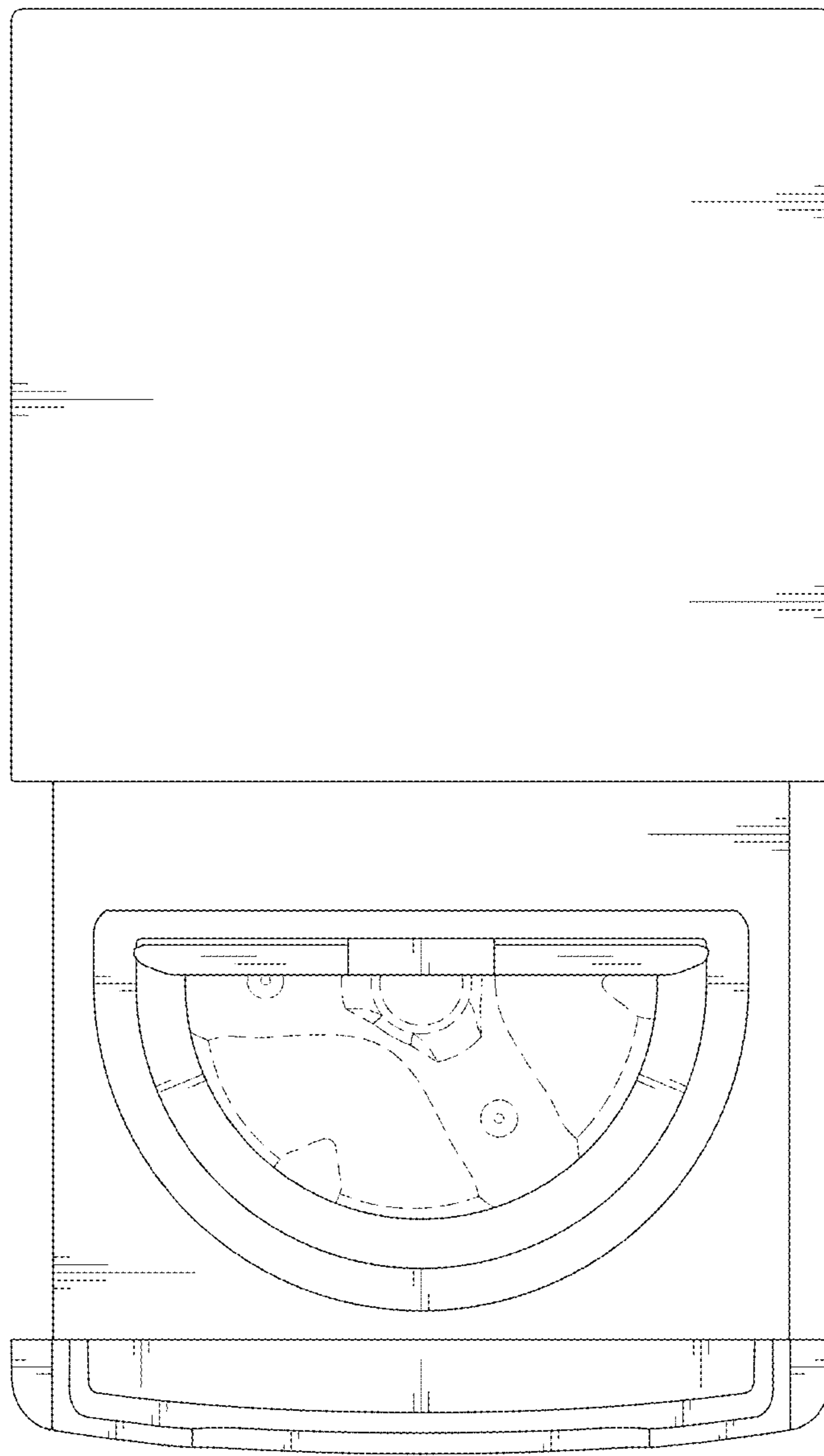


FIG. 6

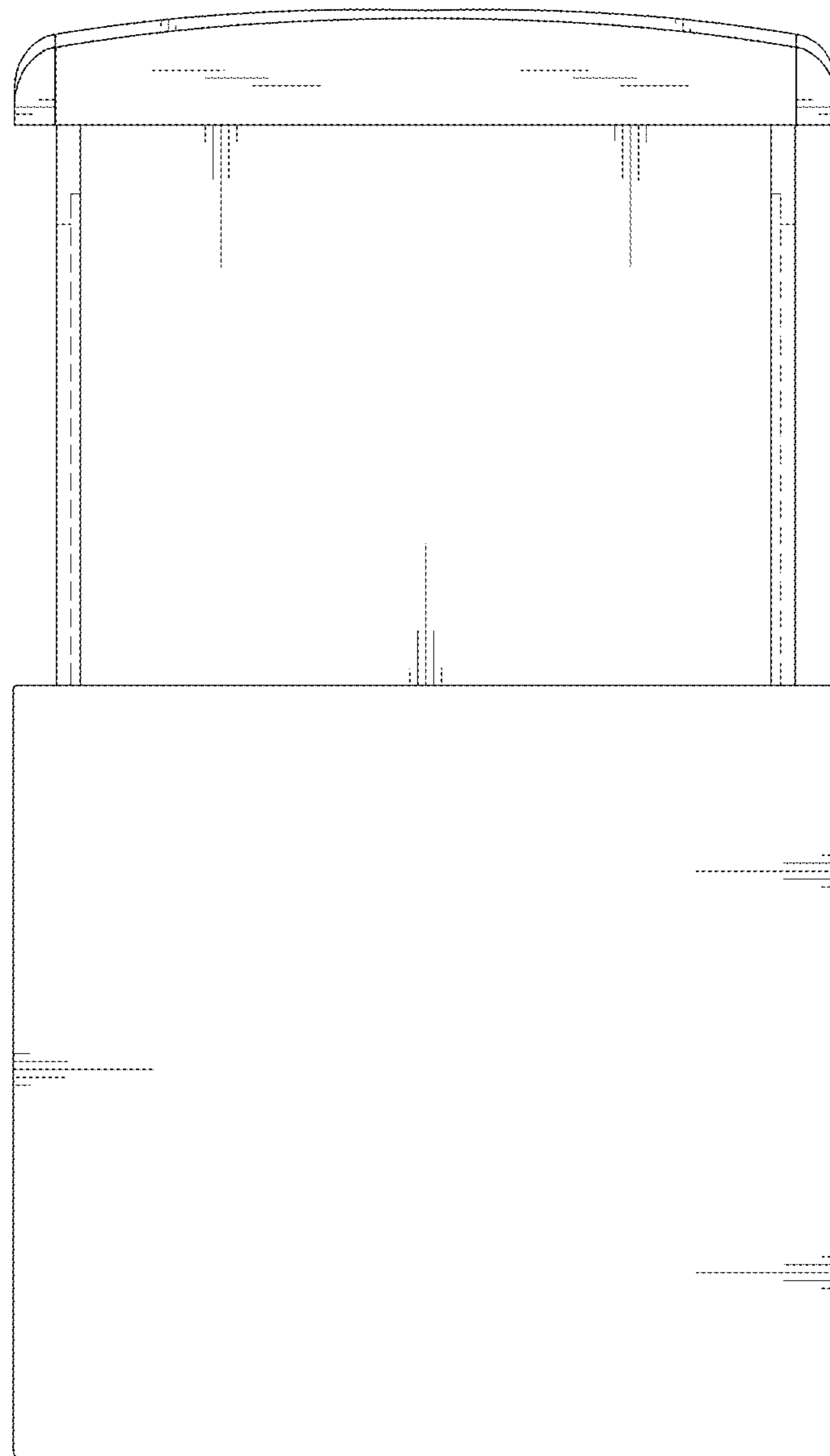


FIG. 7

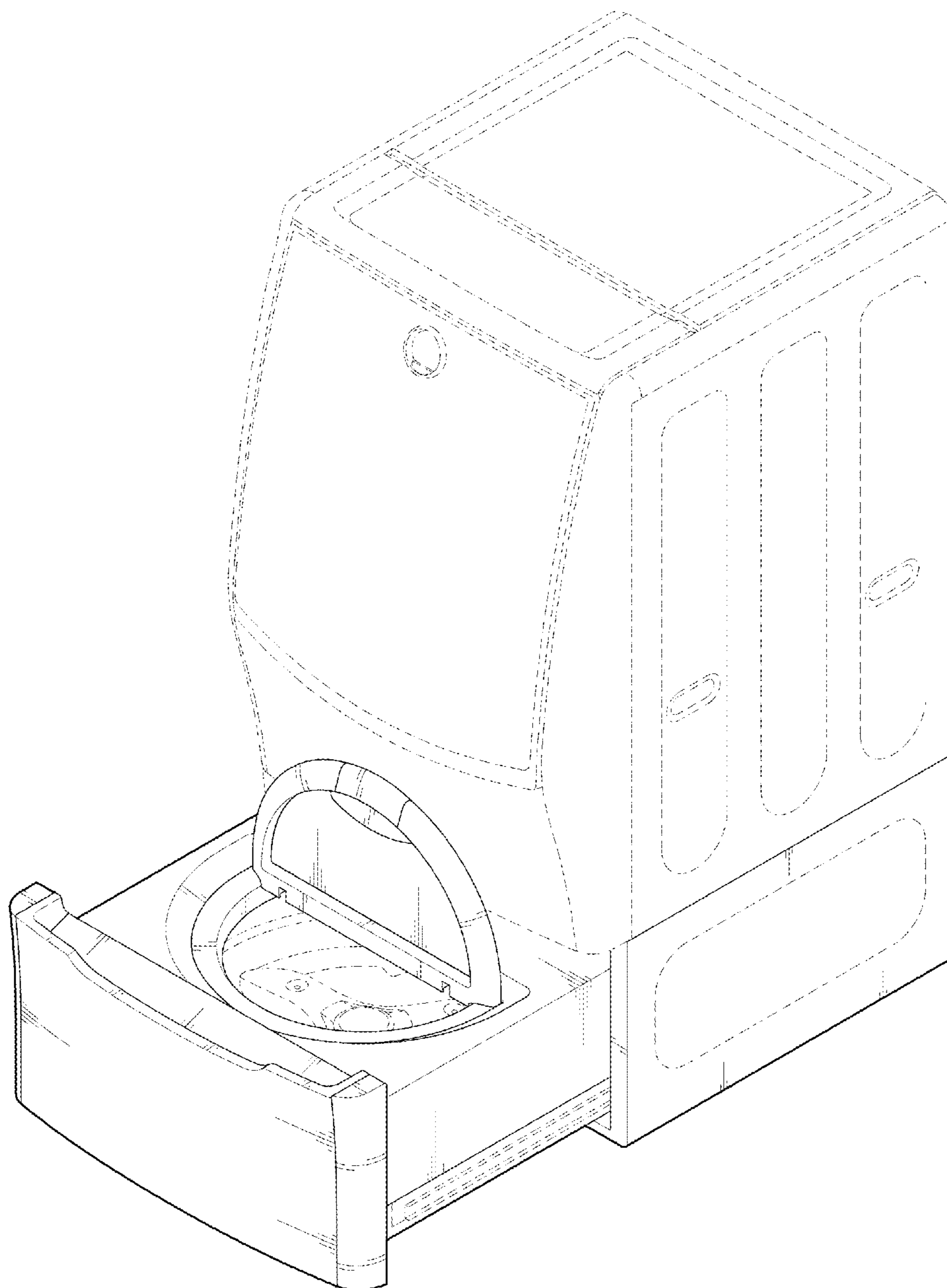


FIG. 8

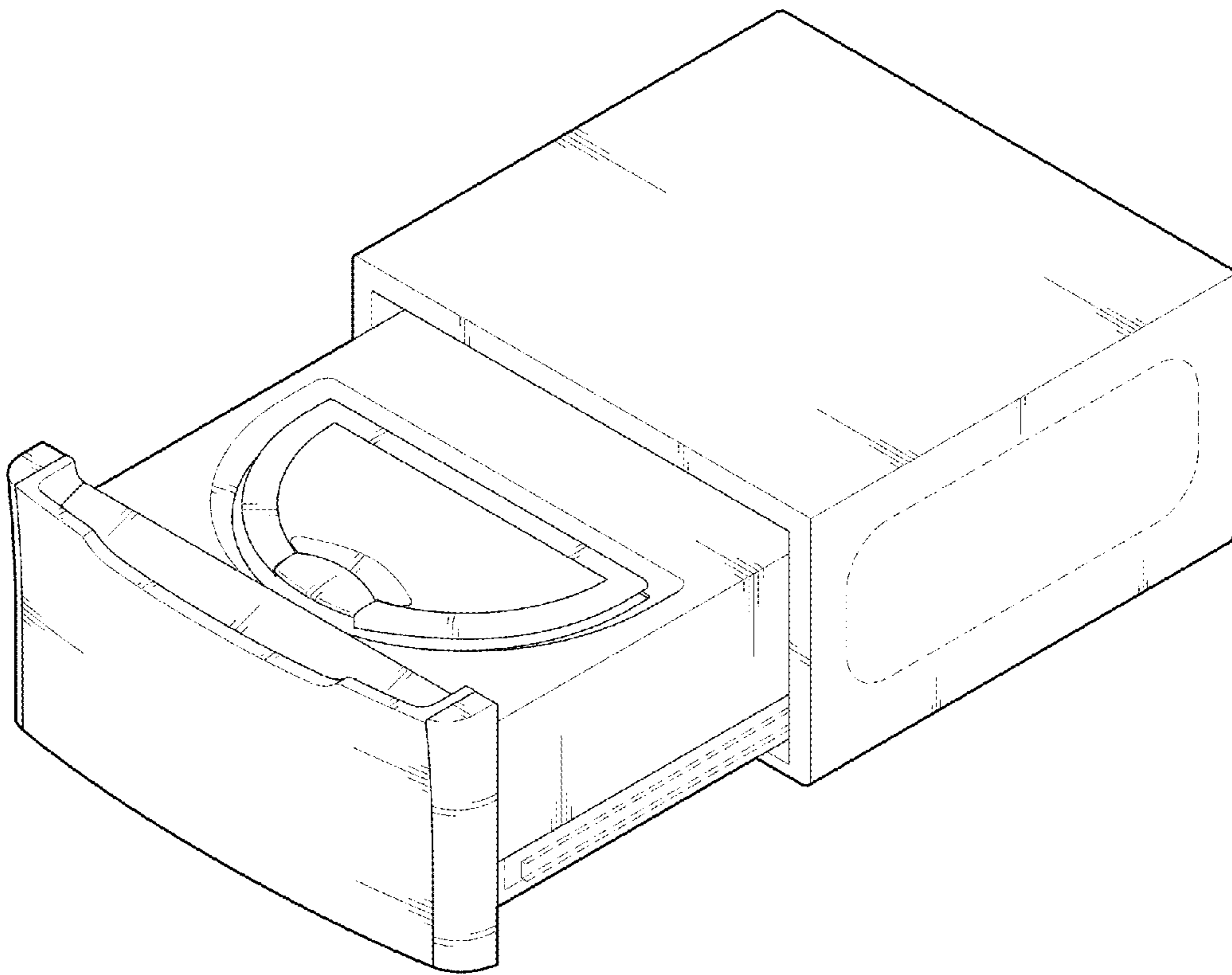


FIG. 9

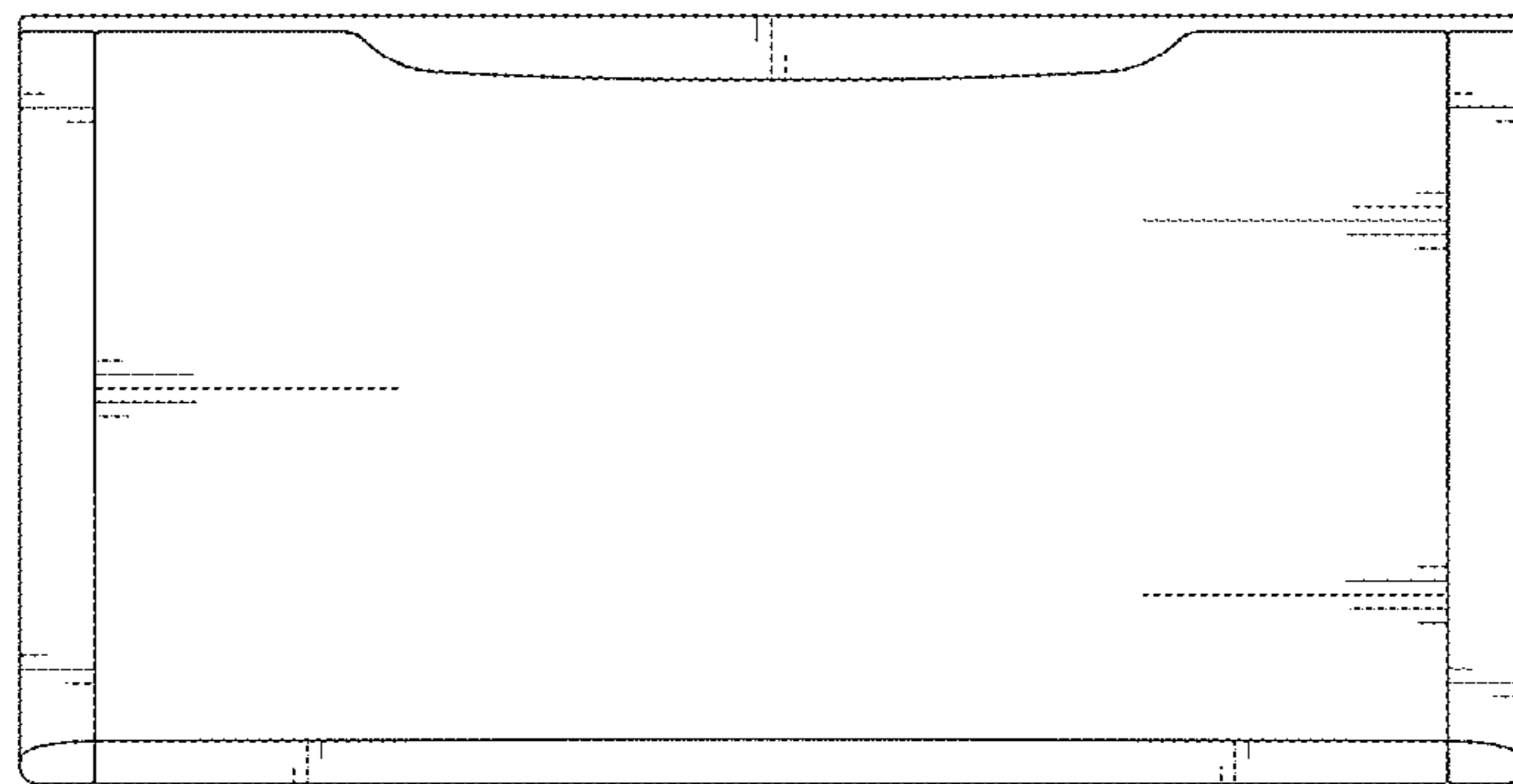


FIG. 10

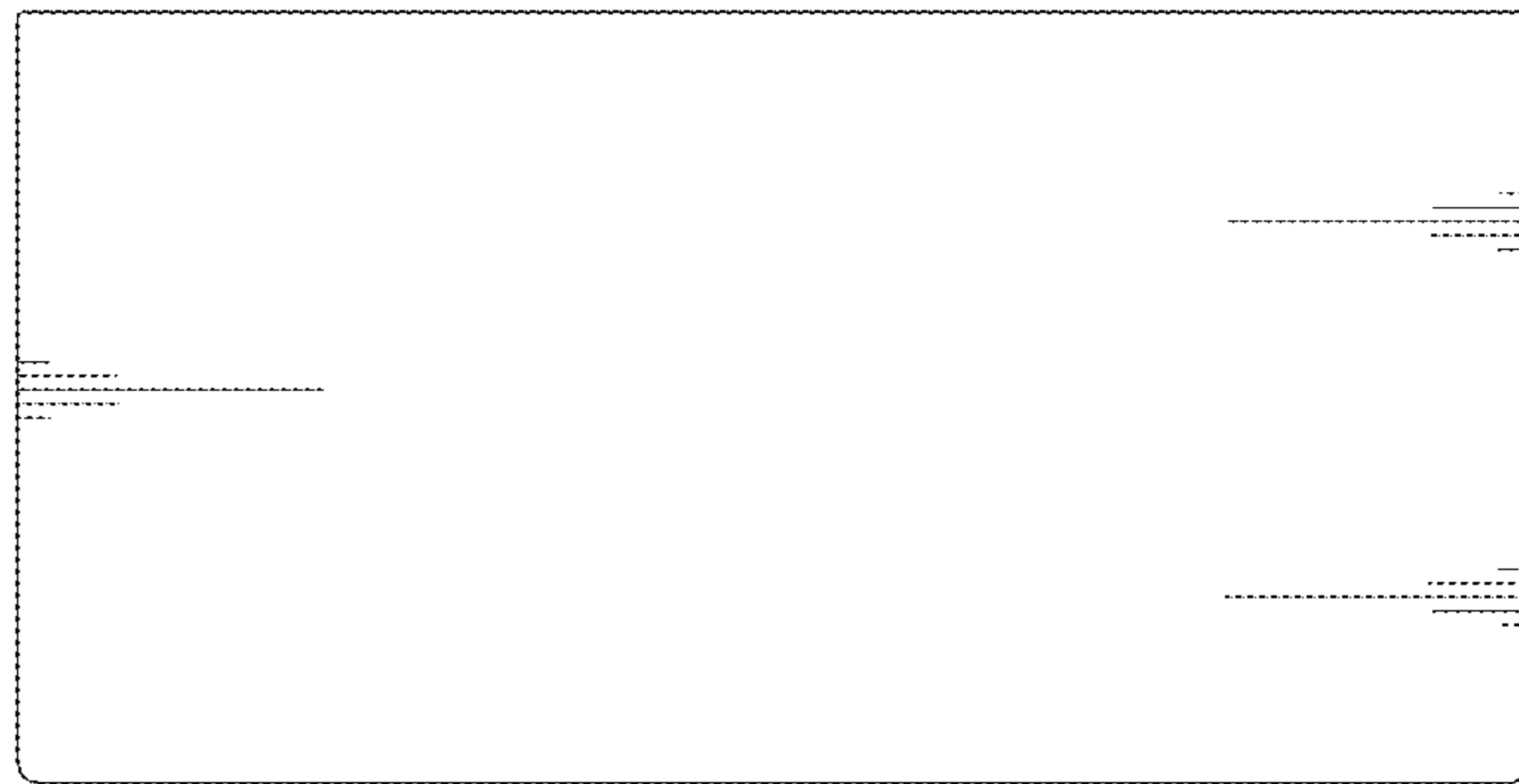


FIG. 11

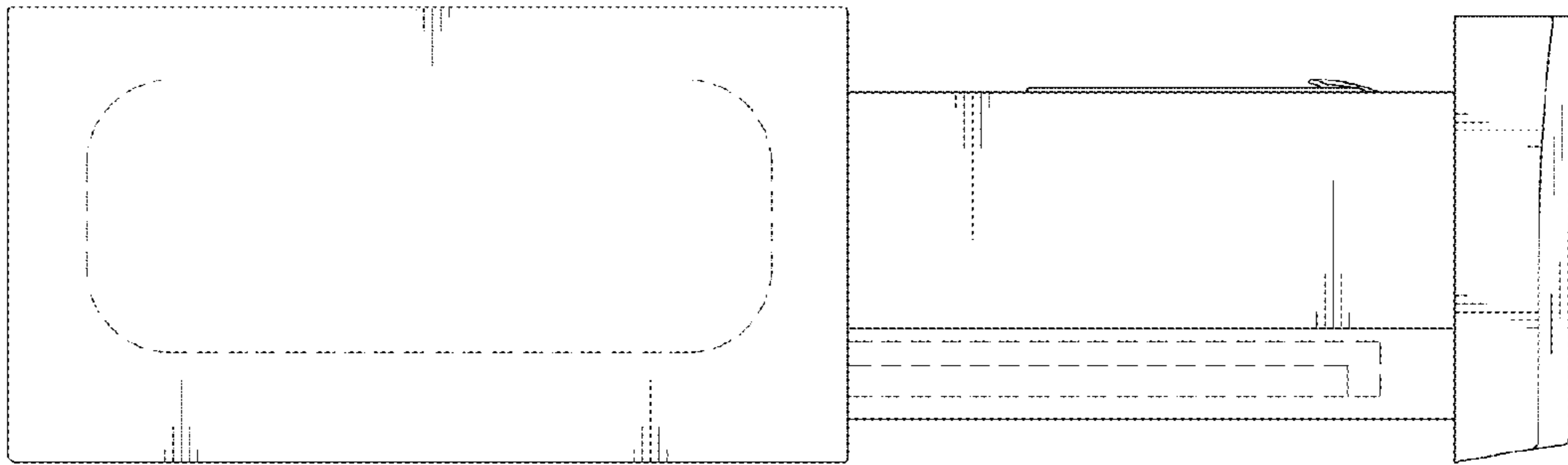


FIG. 12

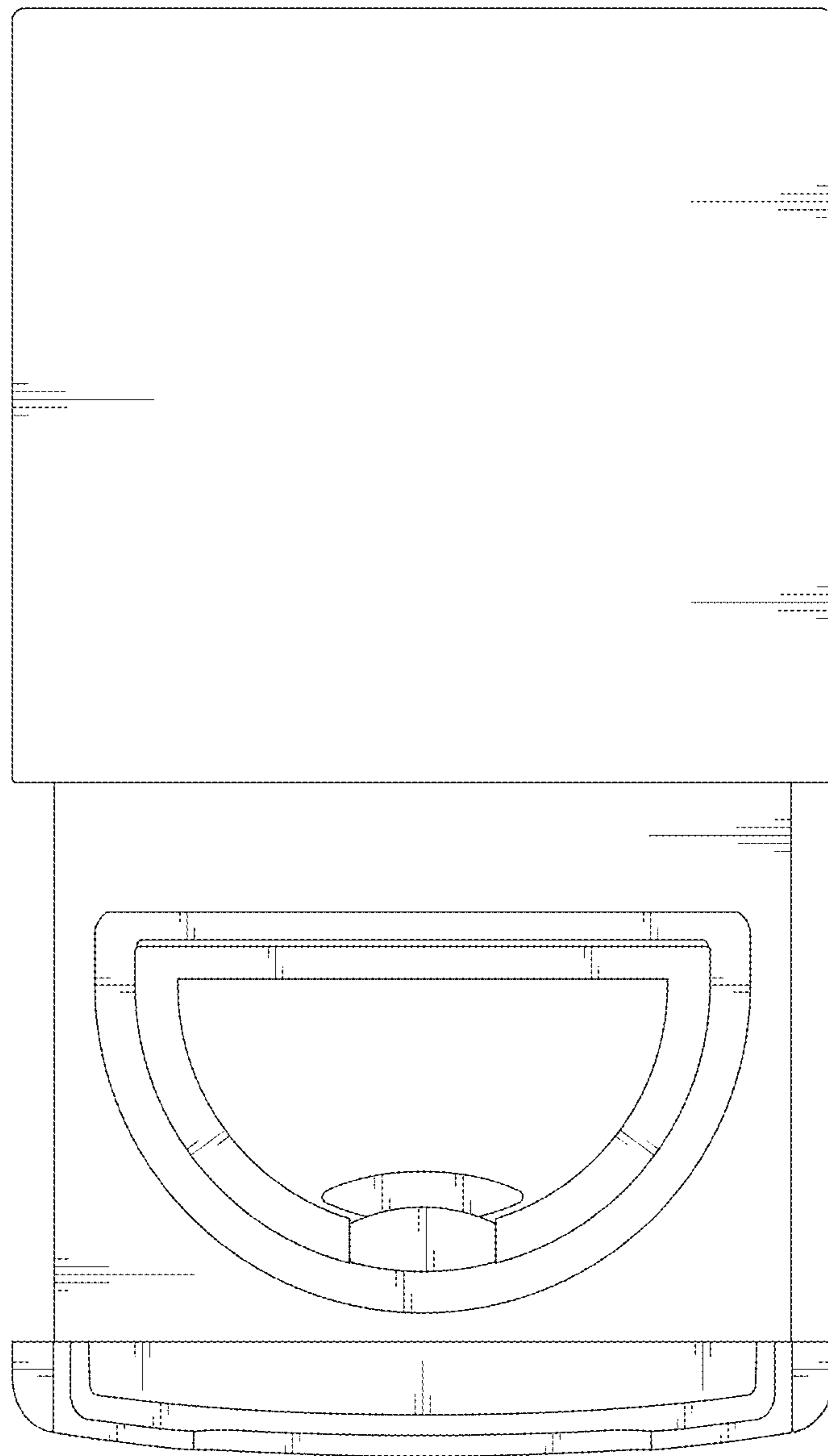


FIG. 13

