



US00D701654S

(12) **United States Design Patent**  
**Septien Prieto et al.**

(10) **Patent No.:** **US D701,654 S**  
(45) **Date of Patent:** **\*\* Mar. 25, 2014**

(54) **BIRD FEEDER**

(71) Applicants: **Francisco Javier Septien Prieto**,  
Ciudad Industrial (MX); **Jose Ramon Septien Dussan**, Ciudad Industrial (MX); **Sebastian Septien Dussan**, Ciudad Industrial (MX)

(72) Inventors: **Francisco Javier Septien Prieto**, Ciudad Industrial (MX); **Jose Ramon Septien Dussan**, Ciudad Industrial (MX); **Sebastian Septien Dussan**, Ciudad Industrial (MX)

(\*\*) Term: **14 Years**

(21) Appl. No.: **29/458,351**

(22) Filed: **Jun. 18, 2013**

(51) **LOC (10) Cl.** ..... **30-03**

(52) **U.S. Cl.**  
USPC ..... **D30/121; D30/131; D30/133; D30/124**

(58) **Field of Classification Search**  
USPC ..... **D30/133, 121, 122, 124, 127, 128, 132; 119/72.5, 72, 51.01, 61, 51.04, 53, 119/57.91, 54, 53.5, 52.4, 51.11, 63, 61.2, 119/52.1, 57.5, 57.6, 51.13, 62, 75, 500, 119/501; 239/7, 687, 379, 397.5; 222/199, 222/181.1, 181.2, 185.1, 557, 156, 485, 222/486, 548, 555; 220/200, 227, 247, 262; 221/174, 185.1, 289, 295, 296, 559; 454/35; 209/270, 283, 244; 52/194, 52/192; 49/279, 344, 357; D34/28; 248/74.2; D25/122; D23/266**

See application file for complete search history.

(56) **References Cited**

**U.S. PATENT DOCUMENTS**

3,033,163 A \* 5/1962 Hosttler et al. .... 119/57.4  
3,105,463 A \* 10/1963 Pilch ..... 119/57.4

3,230,933 A \* 1/1966 Myers et al. .... 119/53  
3,388,690 A \* 6/1968 Hosttler ..... 119/53  
3,415,228 A \* 12/1968 Myers ..... 119/51.11  
3,476,087 A \* 11/1969 Scott et al. .... 119/57.4  
3,485,215 A \* 12/1969 Scott et al. .... 119/51.11  
3,530,833 A \* 9/1970 Allen et al. .... 119/57.4  
3,545,408 A \* 12/1970 Wert ..... 119/51.11  
3,566,843 A \* 3/1971 Van Huis et al. .... 119/53  
3,585,970 A \* 6/1971 Scott et al. .... 119/53  
3,598,087 A \* 8/1971 Ramser ..... 119/51.11  
3,611,995 A \* 10/1971 Murto ..... 119/457  
3,628,505 A \* 12/1971 Myers ..... 192/61  
3,799,116 A \* 3/1974 Hosttler ..... 119/57.4  
3,811,412 A \* 5/1974 Murto et al. .... 119/53  
3,827,405 A \* 8/1974 Allen ..... 119/53  
3,911,868 A \* 10/1975 Brembeck ..... 119/53

(Continued)

*Primary Examiner* — Susan Moon Lee

(74) *Attorney, Agent, or Firm* — Loza & Loza, LLP; Heidi L. Eisenhut

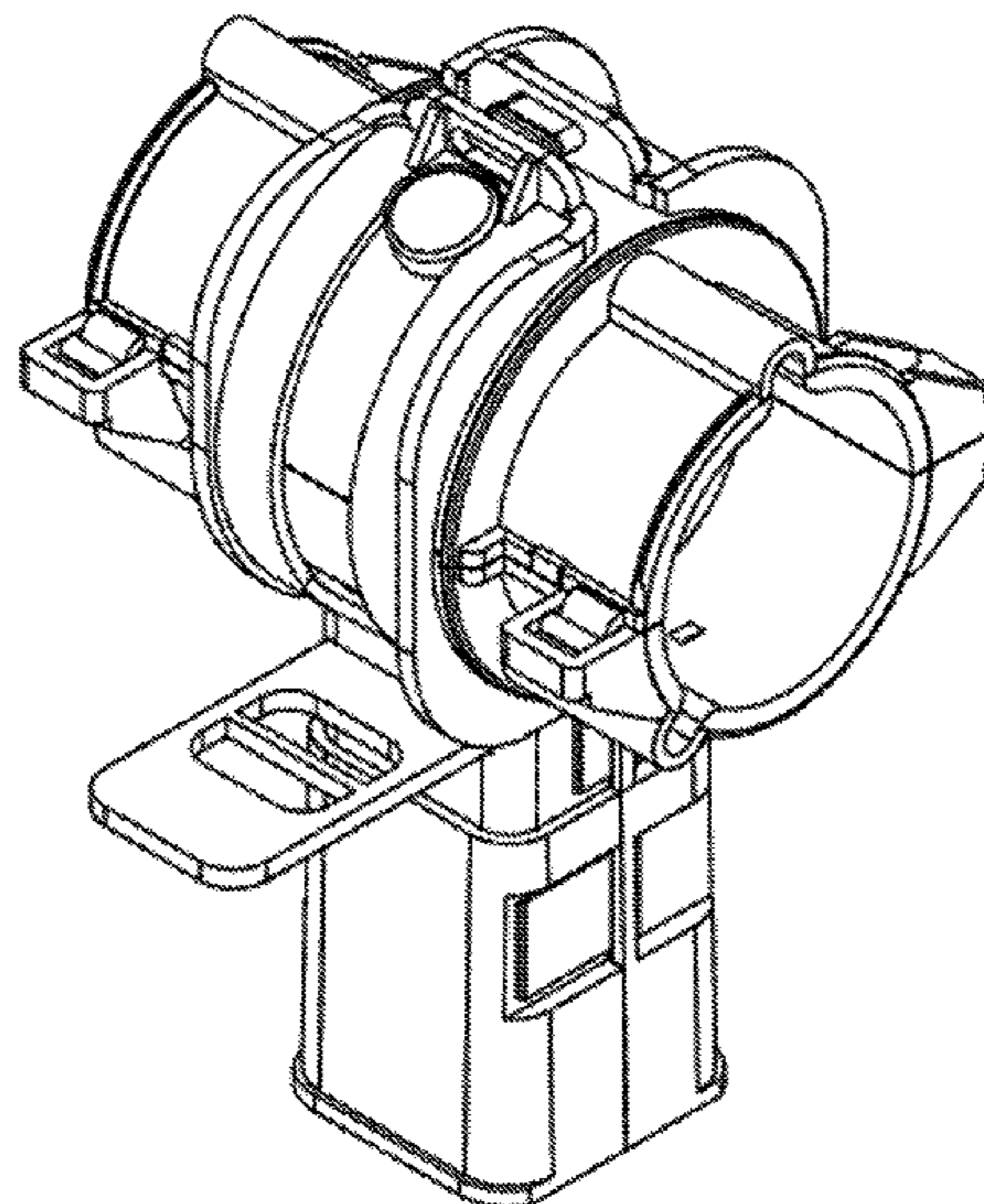
(57) **CLAIM**

We claim the ornamental design for a bird feeder, as shown and described.

**DESCRIPTION**

FIG. 1 is a top right perspective view of a bird feeder of the present invention;  
FIG. 2 is a top left side perspective view of the bird feeder of FIG. 1.  
FIG. 3 a right side elevation view of the bird feeder of FIG. 1.  
FIG. 4 a right side elevation view of the bird feeder of FIG. 1.  
FIG. 5 is a front view of the bird feeder of FIG. 1.  
FIG. 6 is a top plan view of the bird feeder of FIG. 1.  
FIG. 7 is a bottom plan view of the bird feeder of FIG. 1.  
FIG. 8 is a longitudinal cross-sectional view of a bird feeder taken along line 8-8 of FIG. 5.  
FIG. 9 is a front, partially exploded view of the bird feeder of FIG. 1; and,  
FIG. 10 is top perspective, partially exploded view of the bird feeder of FIG. 1.

**1 Claim, 10 Drawing Sheets**



(56)

References Cited

U.S. PATENT DOCUMENTS

3,971,340	A *	7/1976	Allen	119/57.4	6,152,078	A *	11/2000	Romeu Guardia	119/57
4,003,339	A *	1/1977	Hostetler	119/57.4	6,170,435	B1 *	1/2001	Momont et al.	119/72.5
4,200,060	A *	4/1980	Van Daele	119/56.2	6,314,909	B1 *	11/2001	Horwood	119/51.02
4,216,742	A *	8/1980	Kirchhofer	119/457	D460,839	S *	7/2002	Kreger et al.	D30/124
4,317,430	A *	3/1982	Swartzendruber	119/57.4	6,532,895	B1 *	3/2003	Andersen	119/57.4
4,337,728	A *	7/1982	Van Gilst et al.	119/57.4	6,655,317	B1 *	12/2003	Stuedler et al.	119/53
4,401,057	A *	8/1983	Van Gilst	119/57.4	6,779,488	B2 *	8/2004	Corti et al.	119/57.4
4,446,818	A *	5/1984	Rigterink	119/57.4	6,860,230	B2 *	3/2005	Momont et al.	119/72.5
4,476,811	A *	10/1984	Swartzendruber	119/57.4	7,100,533	B2 *	9/2006	Cole et al.	119/52.4
4,488,509	A *	12/1984	Awalt	119/53	7,107,932	B2 *	9/2006	Cole et al.	119/53
4,527,513	A *	7/1985	Hart et al.	119/51.5	7,162,973	B2 *	1/2007	Cole et al.	119/52.4
4,552,095	A *	11/1985	Segalla	119/53	D542,981	S *	5/2007	Cole	D30/124
4,793,291	A *	12/1988	Hostetler	119/81	7,228,817	B2 *	6/2007	Busse	119/53
4,815,417	A *	3/1989	Strong	119/57.4	7,552,697	B2 *	6/2009	Busse	119/53
4,987,859	A *	1/1991	Vanderzanden	119/57.7	7,647,888	B2 *	1/2010	Slankard et al.	119/53
5,007,380	A *	4/1991	Badia et al.	119/53	8,033,248	B2 *	10/2011	Cole et al.	119/53
5,022,421	A *	6/1991	Johnson	137/15.13	8,347,816	B2 *	1/2013	Keirse	119/52.1
5,092,274	A *	3/1992	Cole et al.	119/57.4	8,381,683	B2 *	2/2013	Keirse et al.	119/52.4
5,097,797	A *	3/1992	Van Zee et al.	119/57.4	2002/0152965	A1 *	10/2002	Turner et al.	119/53
5,101,765	A *	4/1992	Manfrin	119/53	2003/0056730	A1 *	3/2003	Corti et al.	119/53
5,101,766	A *	4/1992	Runion	119/53	2003/0079692	A1 *	5/2003	Stuedler et al.	119/72.5
5,113,797	A *	5/1992	van Daele	119/53	2004/0244705	A1 *	12/2004	Momont et al.	119/72.5
5,199,382	A *	4/1993	Adriano	119/57.4	2005/0066906	A1 *	3/2005	Cole et al.	119/52.4
5,235,934	A *	8/1993	Runion	119/51.01	2005/0066907	A1 *	3/2005	Pollock et al.	119/72.5
5,275,131	A *	1/1994	Brake et al.	119/63	2005/0072365	A1 *	4/2005	Busses	119/57.7
5,406,907	A *	4/1995	Hart	119/53	2006/0005776	A1 *	1/2006	Williams	119/72.5
5,494,000	A *	2/1996	Tanabe	119/72.5	2006/0196434	A1 *	9/2006	Cole et al.	119/52.4
5,497,730	A *	3/1996	van Daele et al.	119/53	2007/0215056	A1 *	9/2007	Kreger et al.	119/72.5
5,517,944	A *	5/1996	Bate et al.	119/53	2008/0202437	A1 *	8/2008	Garware	119/57.4
5,642,688	A *	7/1997	Bannier et al.	119/53	2008/0257270	A1 *	10/2008	Slankard et al.	119/53
5,762,021	A *	6/1998	Horwood et al.	119/57.4	2009/0000555	A1 *	1/2009	Keirse et al.	119/52.1
5,765,503	A *	6/1998	van Daele	119/52.4	2009/0078209	A1 *	3/2009	Kroeker	119/52.1
5,782,201	A *	7/1998	Wells	119/57.4	2009/0320763	A1 *	12/2009	Cole et al.	119/53
5,794,562	A *	8/1998	Hart	119/52.4	2010/0192863	A1 *	8/2010	Van de Ven	119/52.1
5,875,733	A *	3/1999	Chen	119/57.4	2011/0094447	A1 *	4/2011	Keirse	119/52.1
5,884,581	A *	3/1999	Vandaele	119/52.4	2011/0107972	A1 *	5/2011	Keirse et al.	119/51.01
5,941,193	A *	8/1999	Cole	119/57.4	2012/0199077	A1 *	8/2012	Cottam et al.	119/52.1
5,964,185	A *	10/1999	DeBonne et al.	119/57.4	2013/0036976	A1 *	2/2013	Pickens	119/51.01
D426,682	S *	6/2000	Kreger et al.	D30/121	2013/0139755	A1 *	6/2013	Stuedler, Jr.	119/51.01
					2013/0139758	A1 *	6/2013	Stuedler, Jr.	119/53
					2013/0269619	A1 *	10/2013	Hung	119/52.4

\* cited by examiner

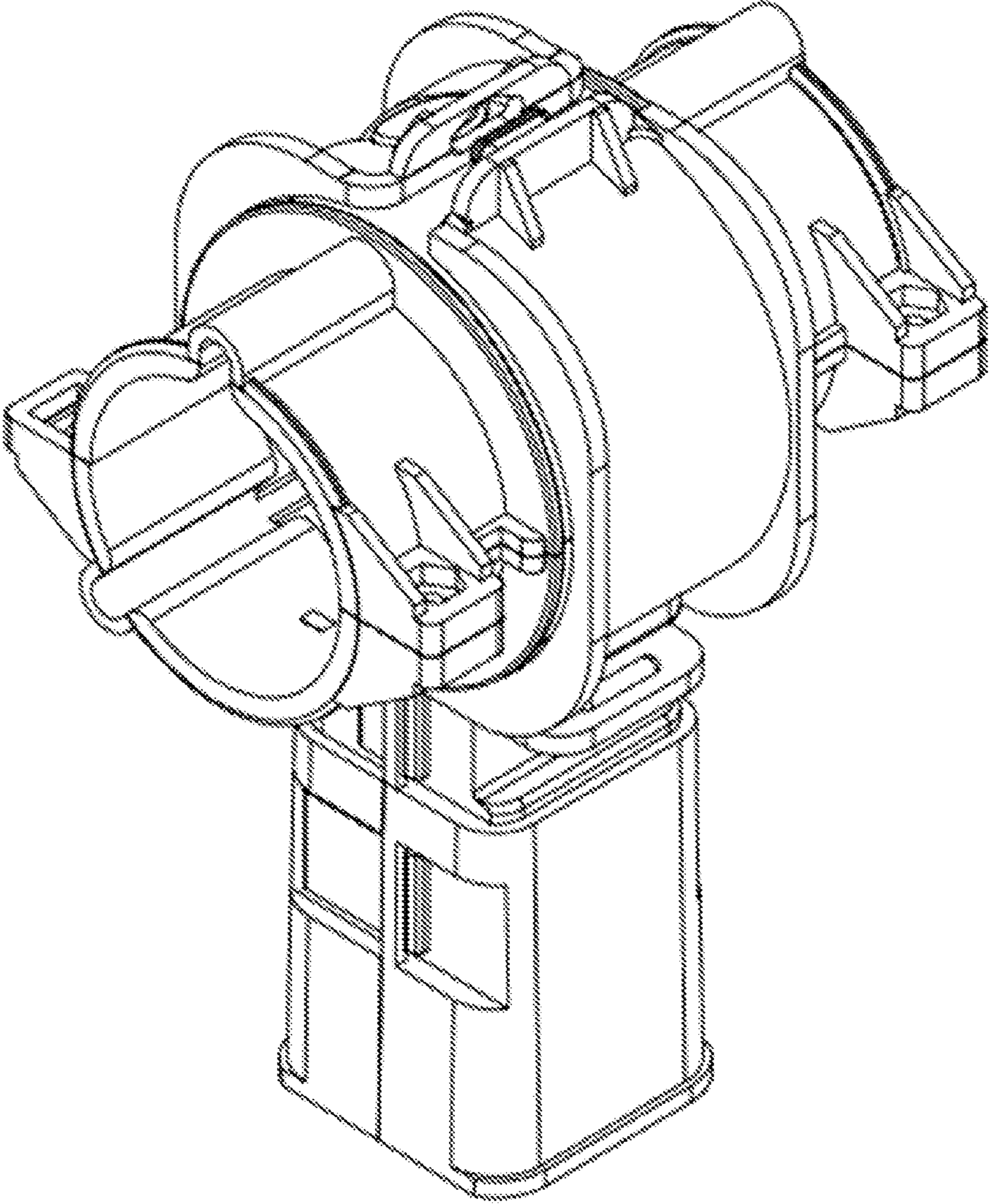


FIG. 1

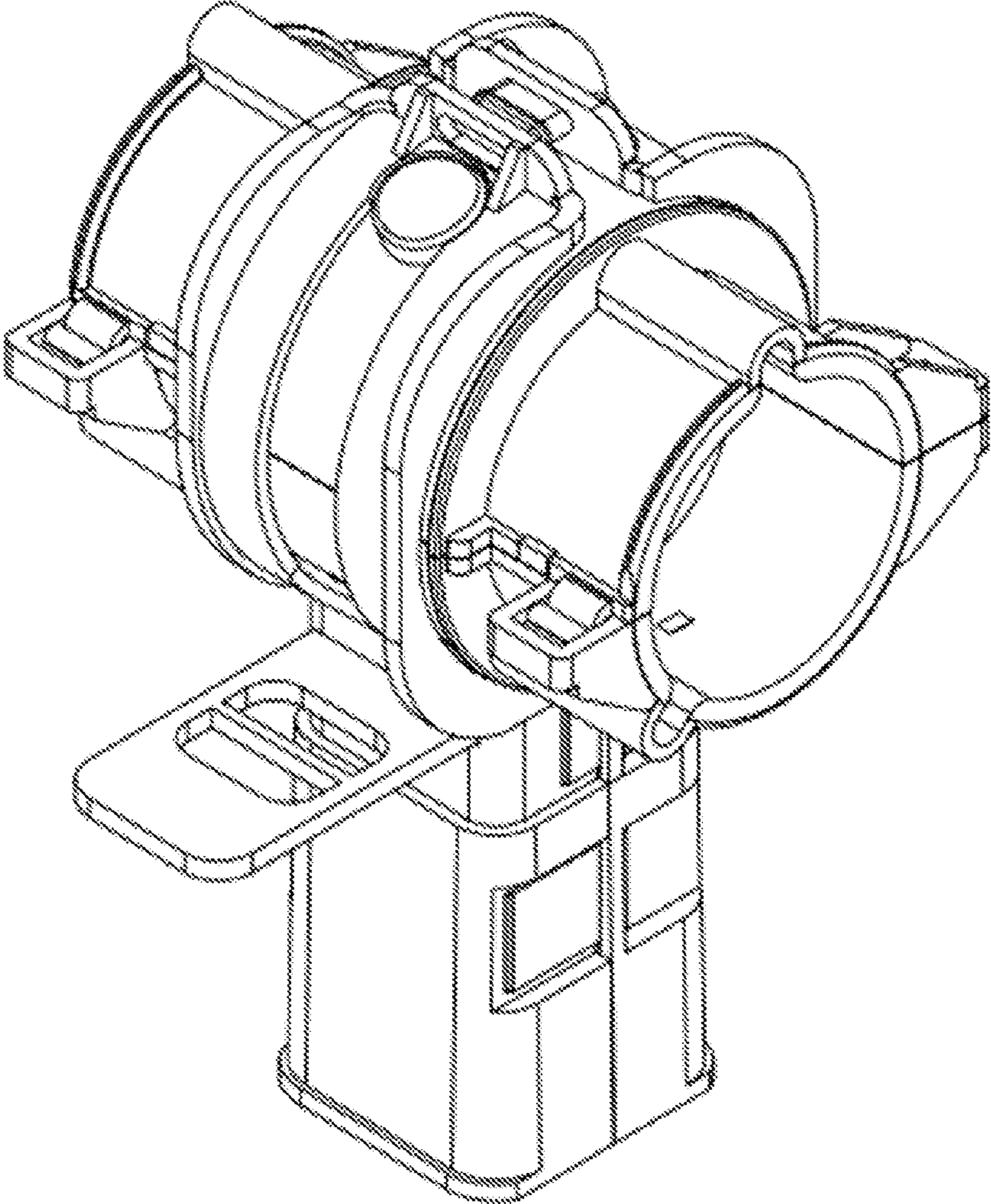


FIG. 2

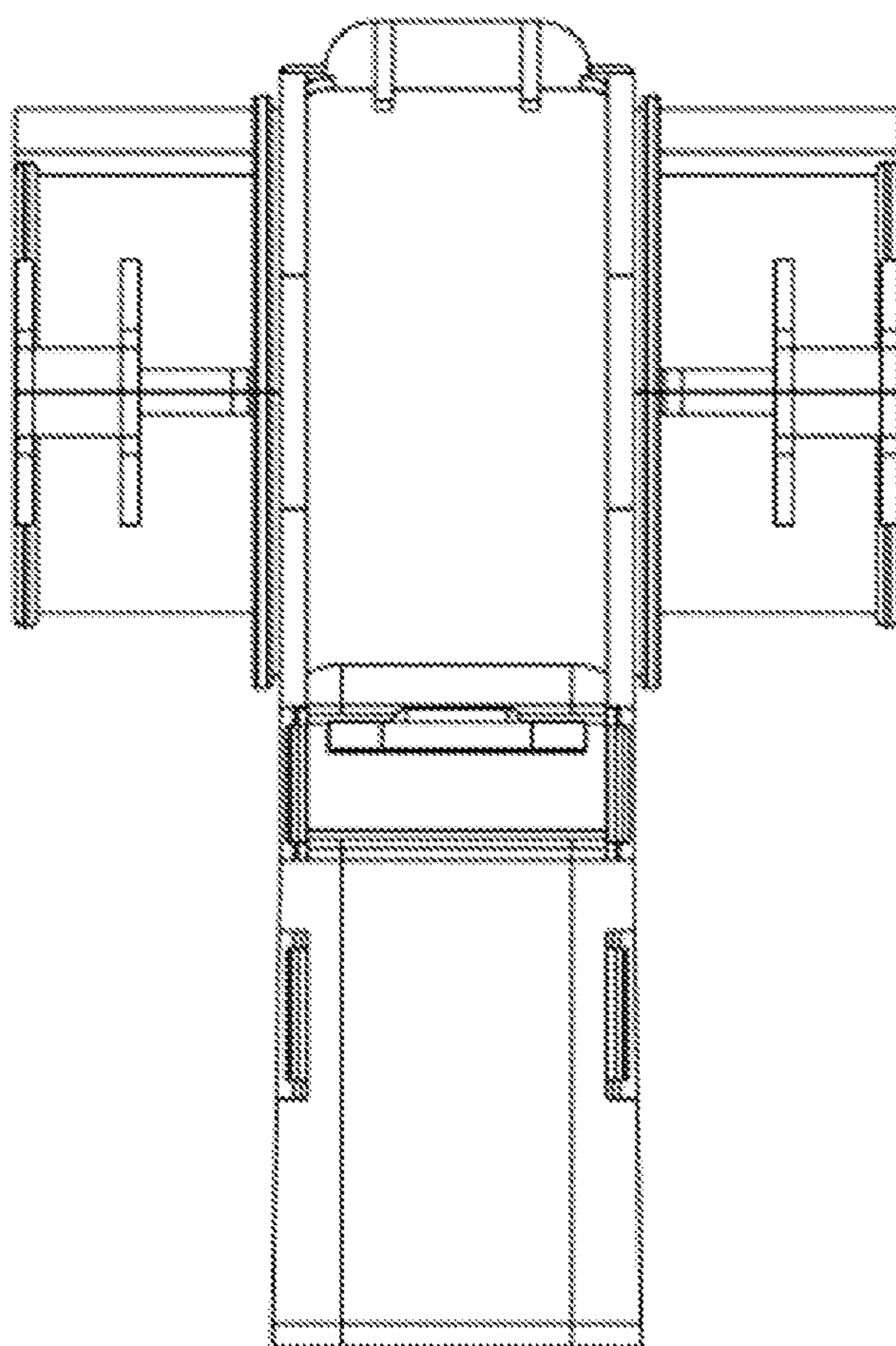


FIG. 3

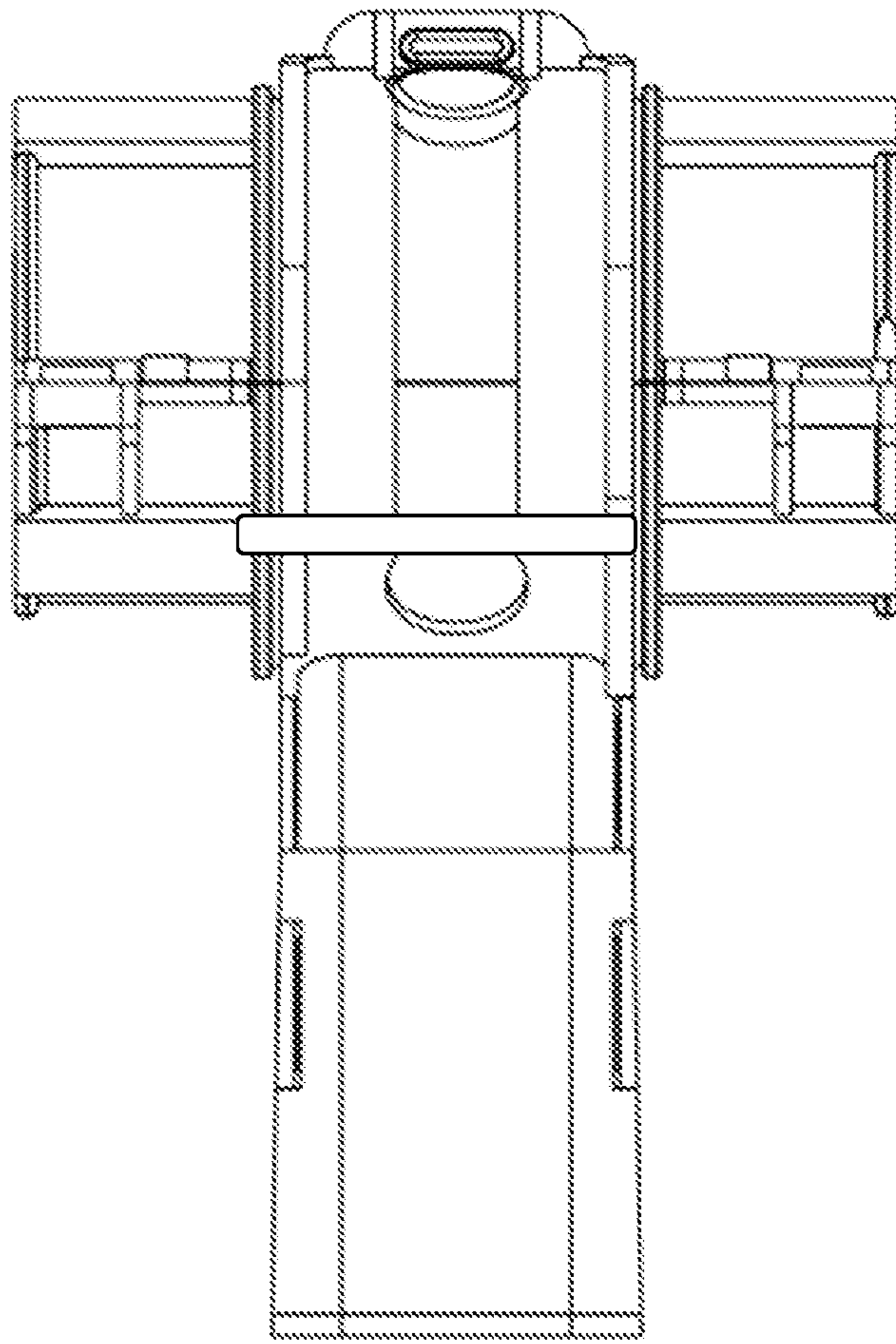


FIG. 4

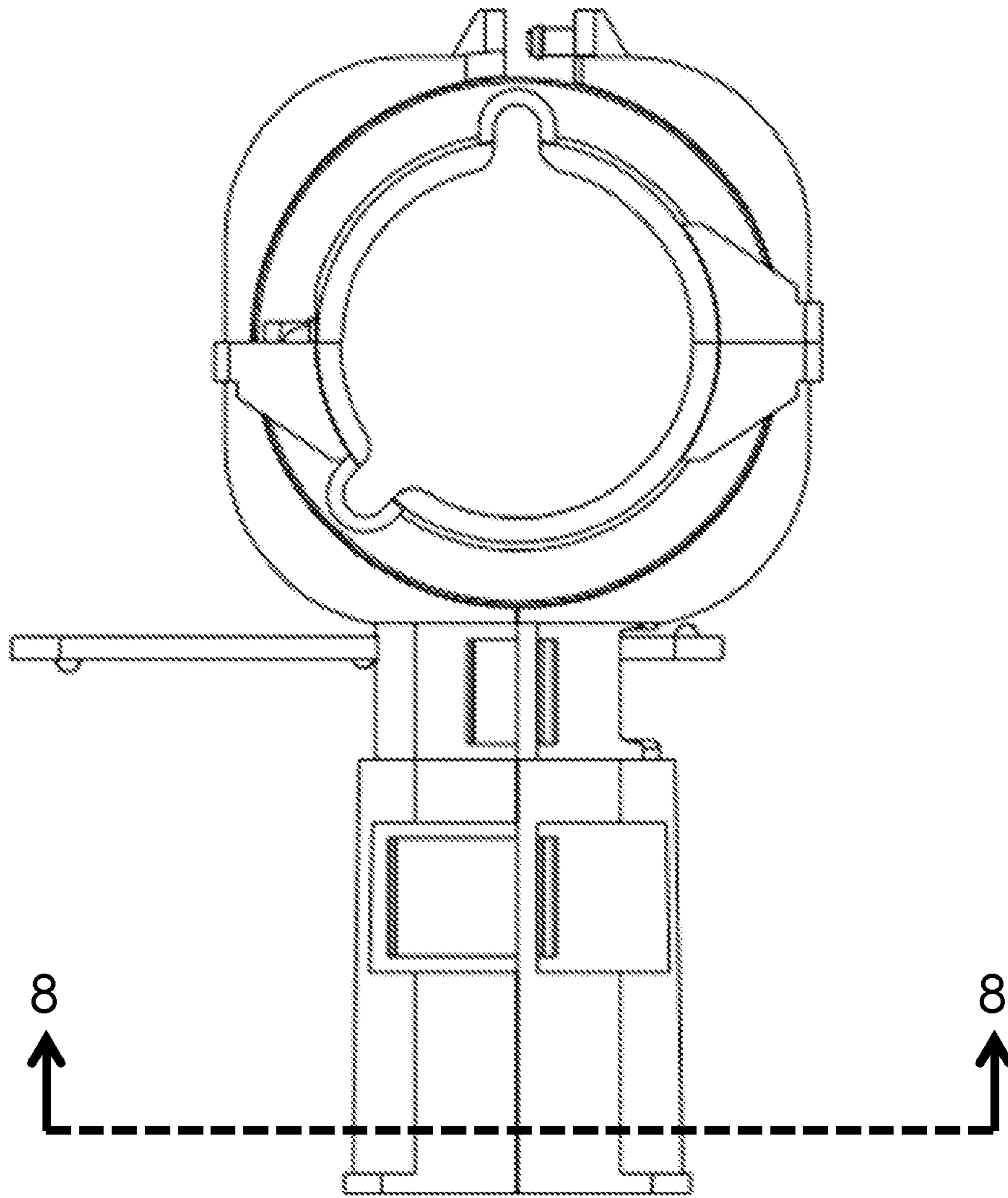


FIG. 5

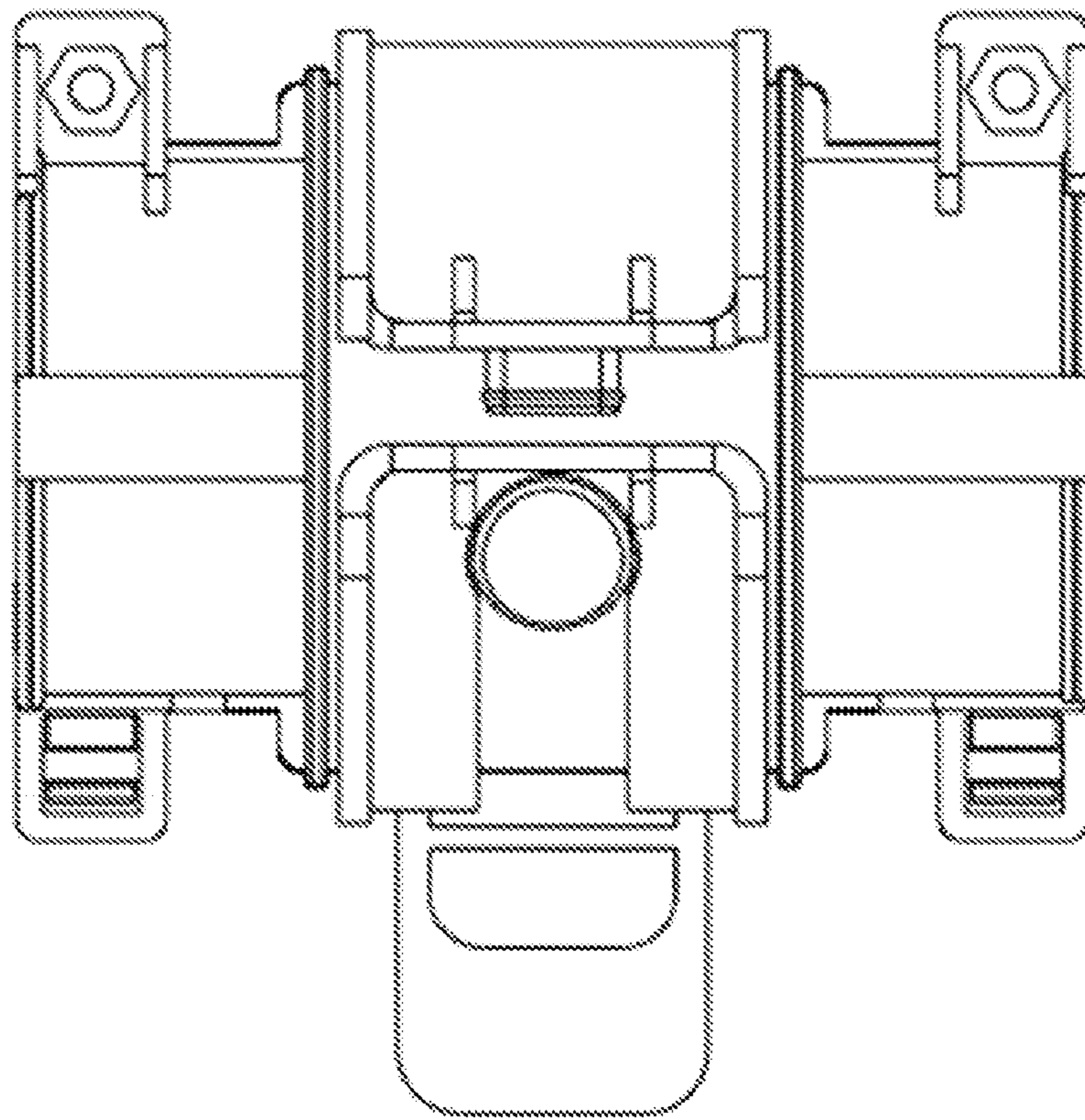


FIG. 6



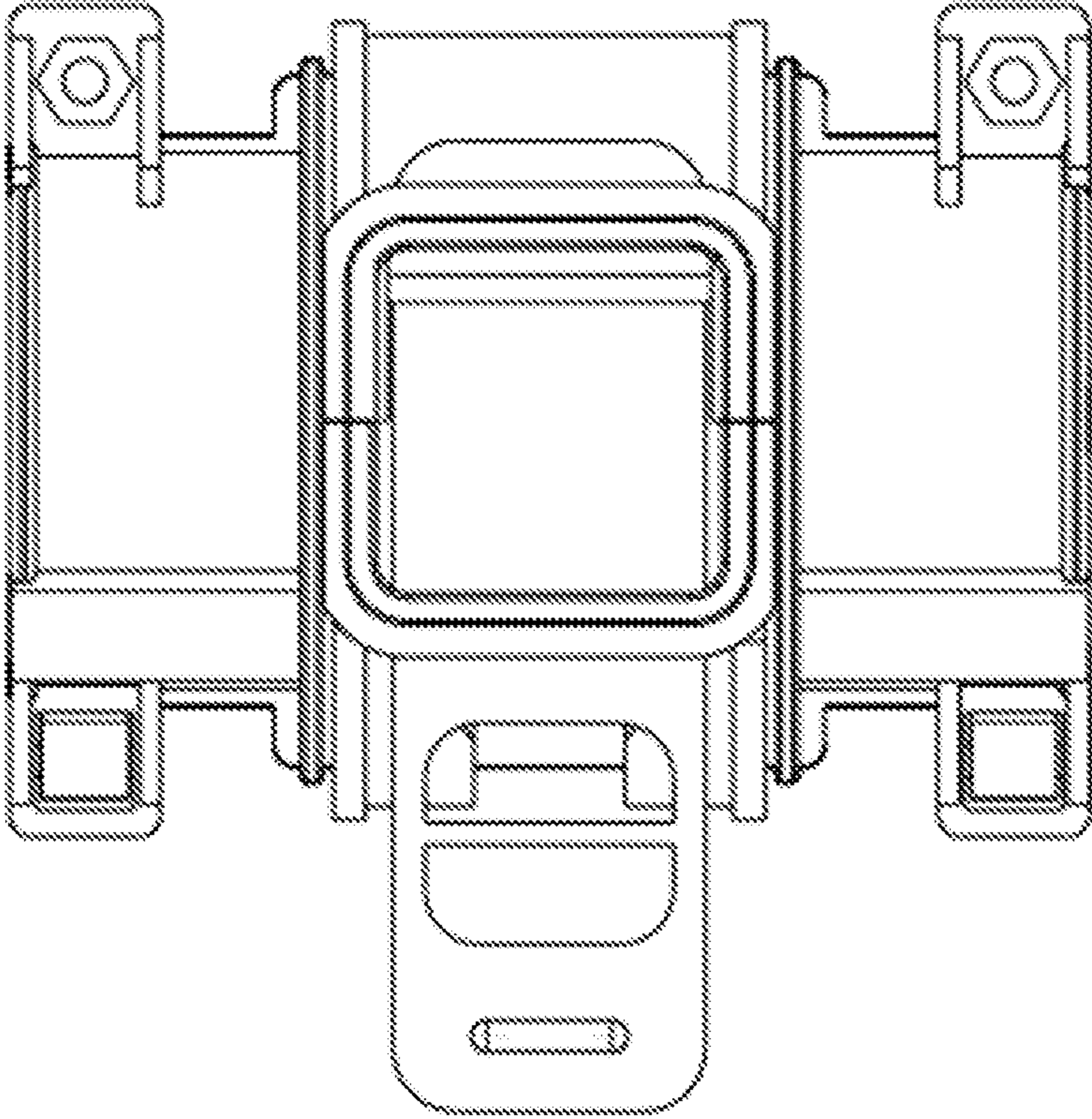


FIG. 7

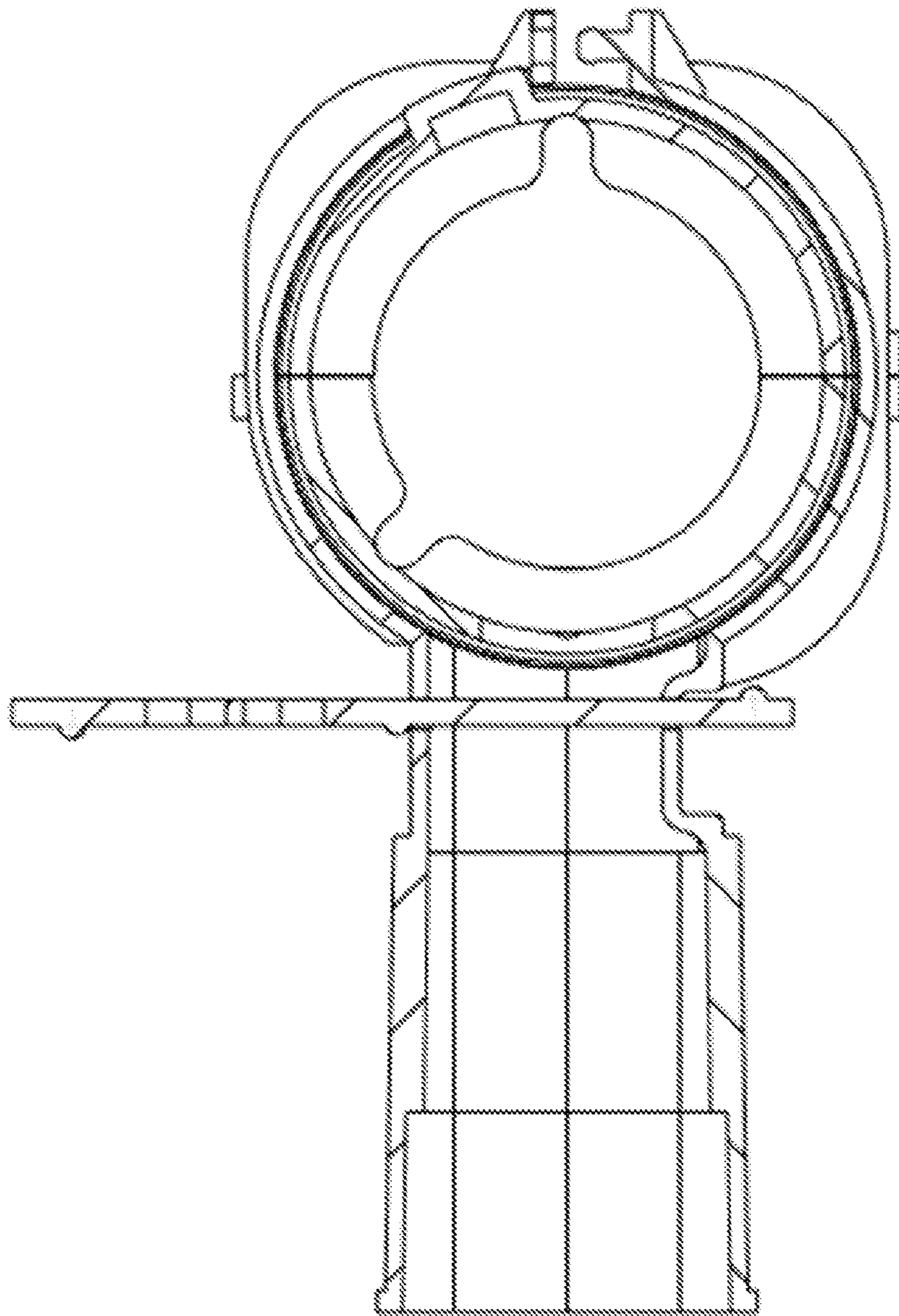


FIG. 8

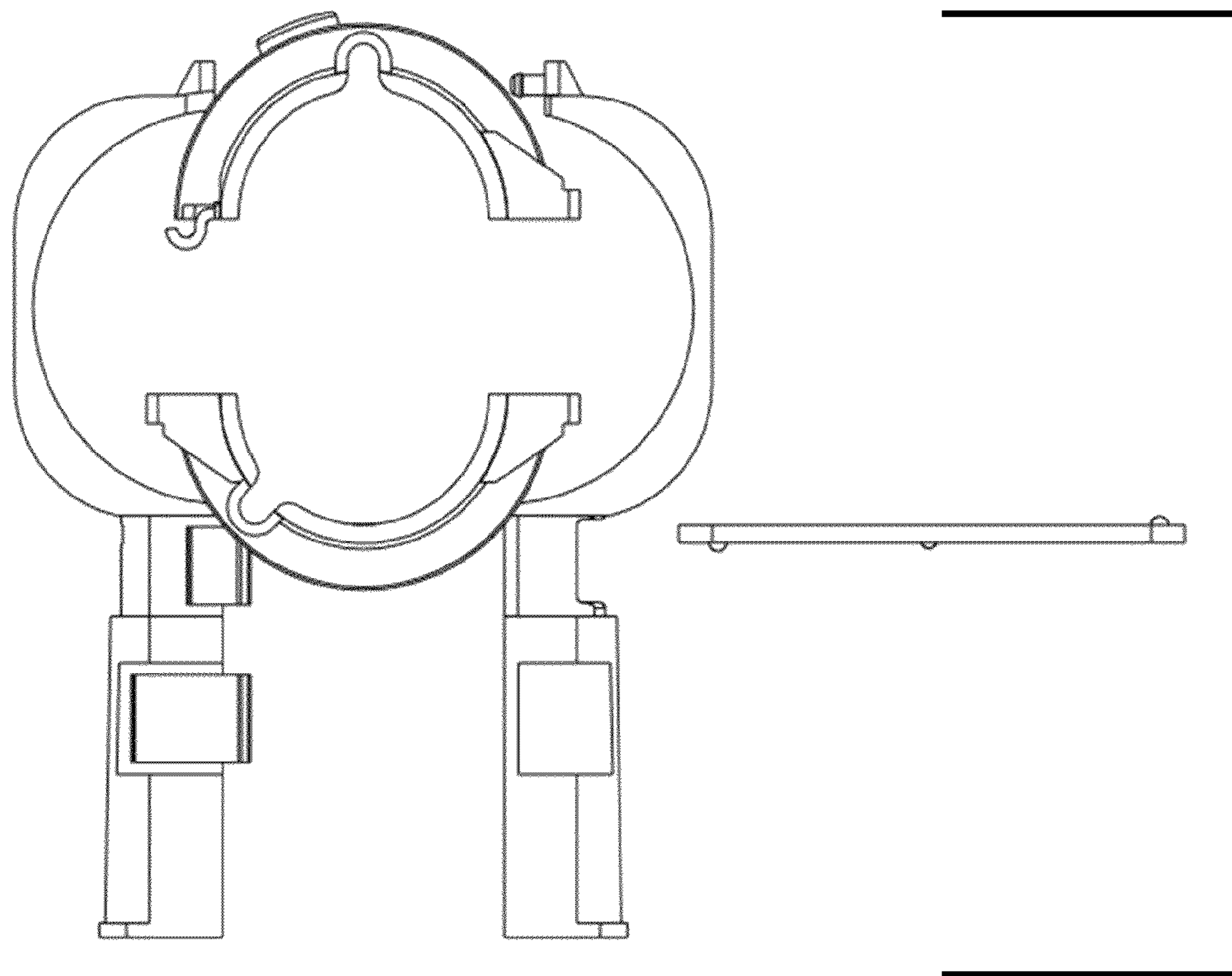


FIG. 9

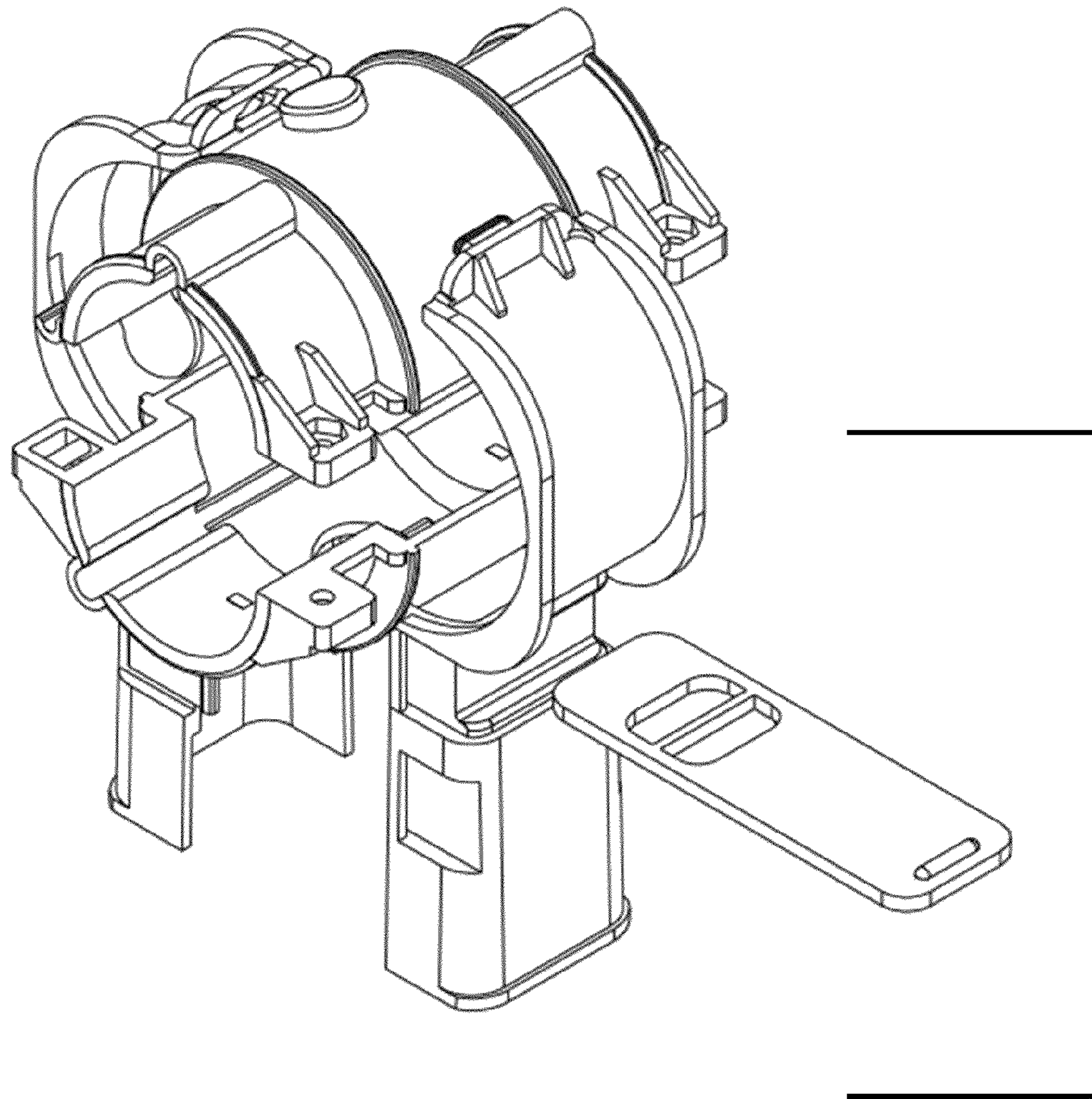


FIG. 10