



US00D701653S

(12) **United States Design Patent**
Martinez

(10) **Patent No.:** **US D701,653 S**
(45) **Date of Patent:** **** Mar. 25, 2014**

(54) **PET BED**

(71) Applicant: **Ricky Steven Martinez**, Wentzville, MO
(US)

(72) Inventor: **Ricky Steven Martinez**, Wentzville, MO
(US)

(**) Term: **14 Years**

(21) Appl. No.: **29/442,439**

(22) Filed: **Mar. 4, 2013**

(51) **LOC (10) Cl.** **30-06**

(52) **U.S. Cl.**
USPC **D30/118**

(58) **Field of Classification Search**
USPC D30/118; D6/349, 596, 601; D21/797;
119/28.5

See application file for complete search history.

(56) **References Cited**

U.S. PATENT DOCUMENTS

1,820,283	A *	8/1931	Mills	5/114
1,820,284	A *	8/1931	Mills	119/28.5
2,871,489	A *	2/1959	Emmert	5/114
3,232,270	A *	2/1966	Sweeney, Jr.	119/28.5

3,892,403	A *	7/1975	Green	482/27
D289,699	S *	5/1987	Runion	D30/118
5,188,059	A *	2/1993	Rice	119/28.5
D338,744	S *	8/1993	Marlon et al.	D30/118
D349,787	S *	8/1994	McMahon	D30/118
D379,682	S *	6/1997	Rafaat	D30/118
6,450,119	B1 *	9/2002	Holt, Jr.	119/28.5
D502,575	S *	3/2005	Mirabito	D30/118
D591,911	S *	5/2009	Drew	D30/118
D638,173	S *	5/2011	Elmburg et al.	D30/118
D663,077	S *	7/2012	Pohl	D30/118
D663,903	S *	7/2012	Wygle	D30/118

* cited by examiner

Primary Examiner — Cathy A MacCormac

(57) **CLAIM**

The ornamental design for a pet bed, as shown.

DESCRIPTION

FIG. 1 is a perspective view of a pet bed showing my new design;

FIG. 2 is a top plan view thereof;

FIG. 3 is a rear elevational view thereof;

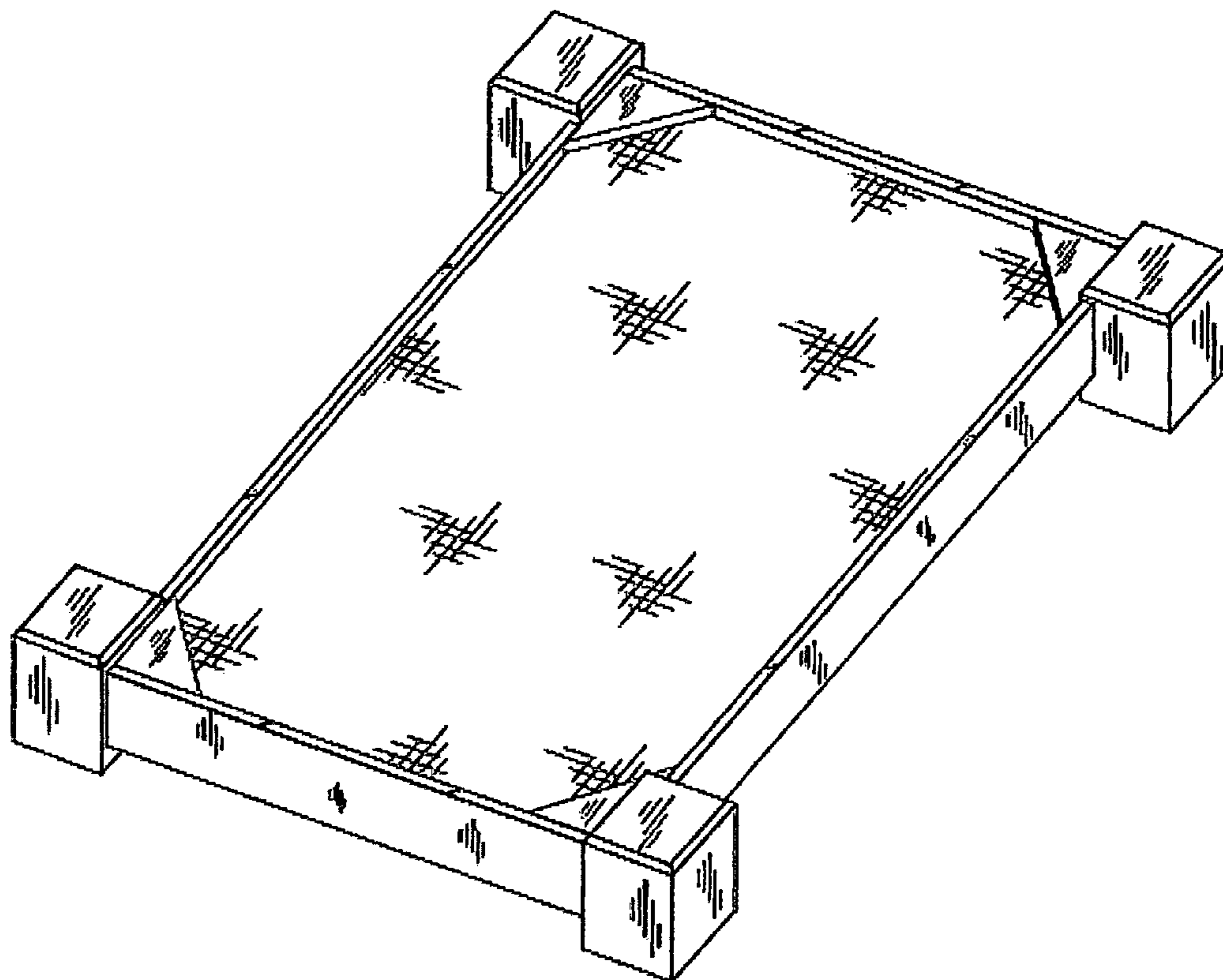
FIG. 4 is a left side elevational view thereof;

FIG. 5 is a right side elevational view thereof; and,

FIG. 6 is a front elevational view thereof.

The bottom view is not being claimed.

1 Claim, 2 Drawing Sheets



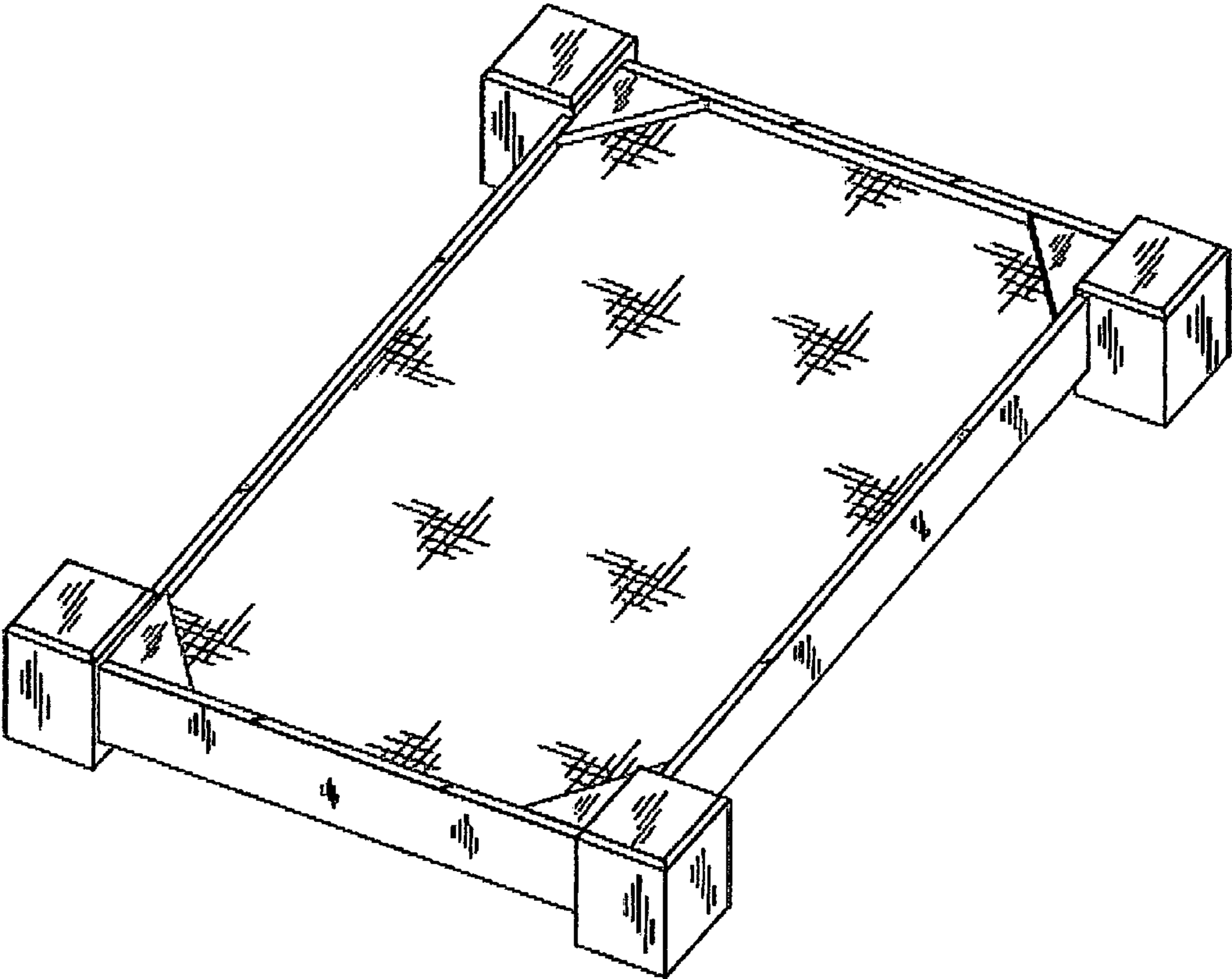


FIG 1

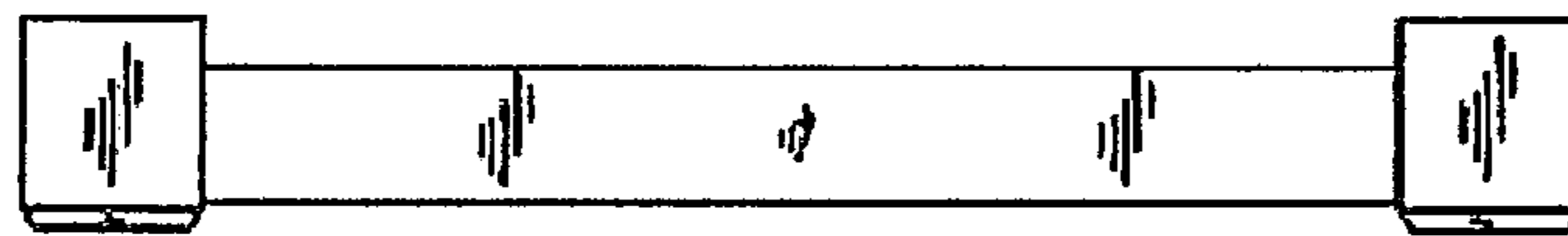


Fig. 3

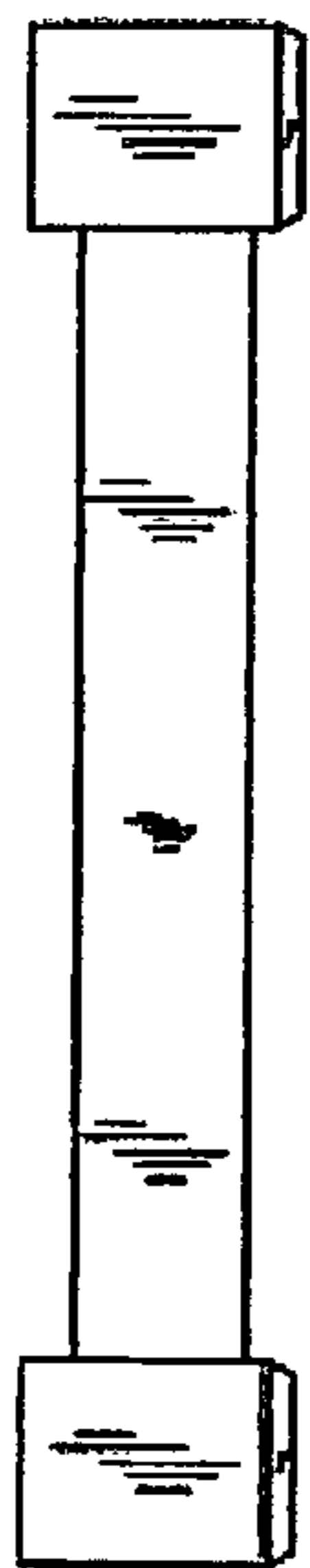


Fig. 4

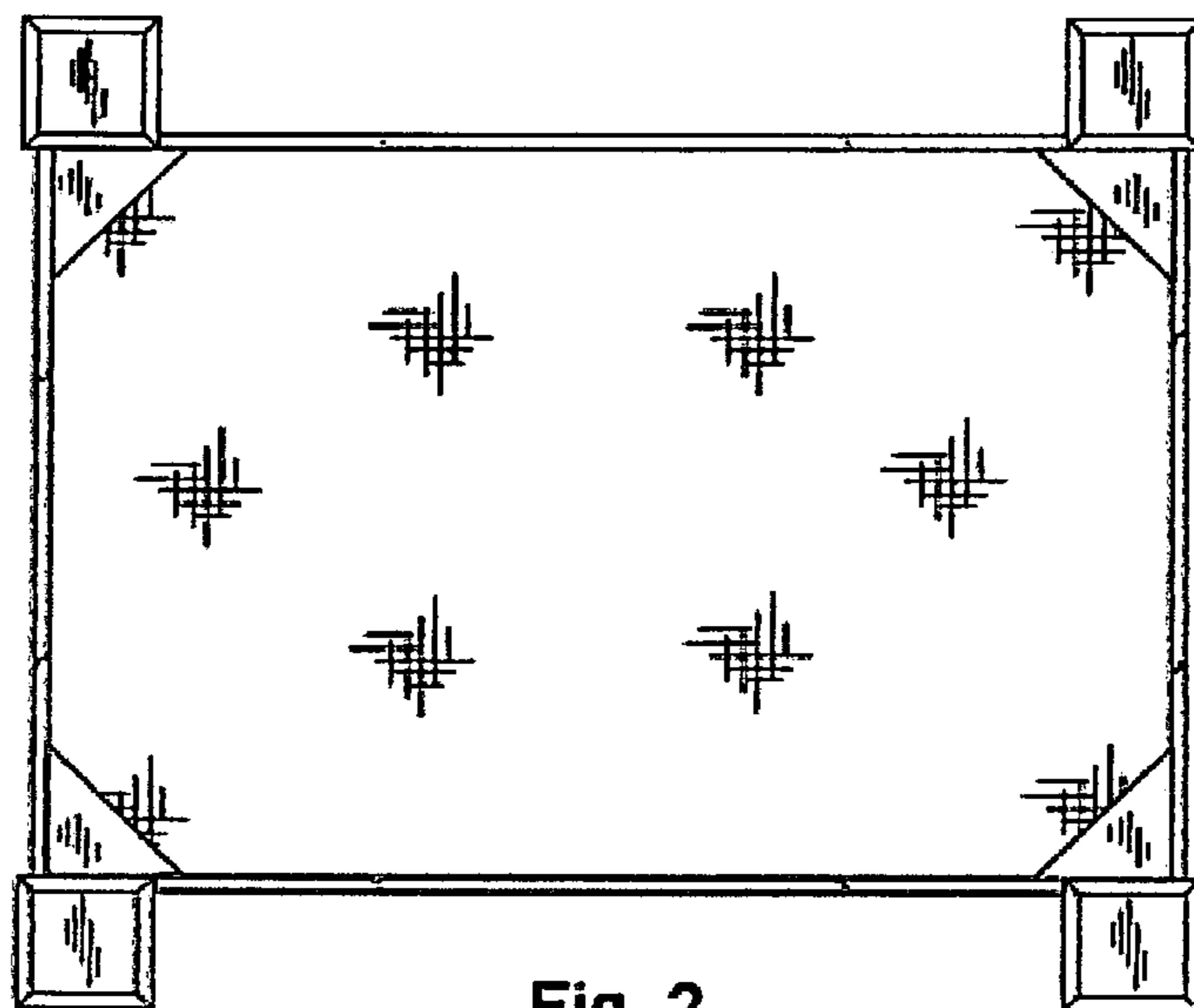


Fig. 2

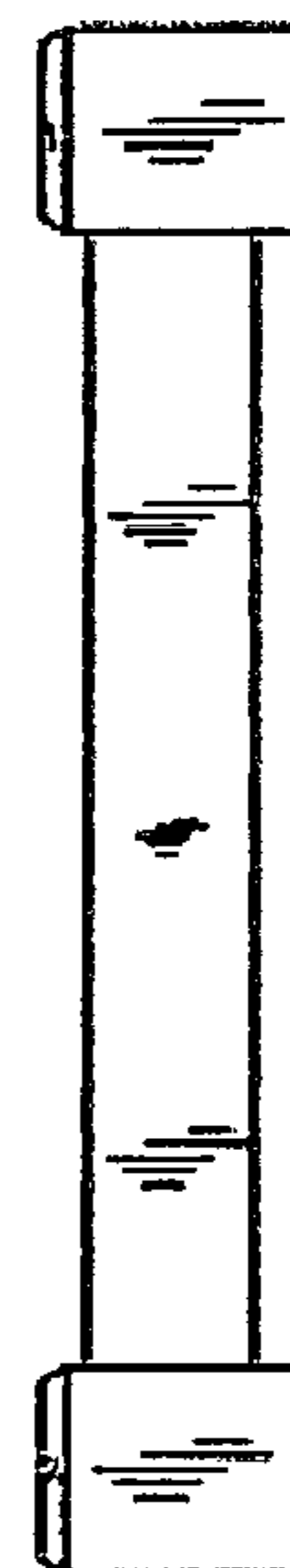


Fig. 5



Fig. 6