

US00D701648S

(12) **United States Design Patent**
Yiu

(10) **Patent No.:** **US D701,648 S**
(45) **Date of Patent:** **** Mar. 25, 2014**

- (54) **COSMETIC DEVICE**
- (71) Applicant: **Forstar Limited**, Kowloon (HK)
- (72) Inventor: **Wai Wah Yiu**, Kowloon (HK)
- (73) Assignee: **Forstar Limited**, Kowloon (HK)
- (**) Term: **14 Years**
- (21) Appl. No.: **29/440,569**
- (22) Filed: **Dec. 21, 2012**

- 3,581,393 A 6/1971 Yager
- 4,935,184 A 6/1990 Sorensen
- 5,033,485 A 7/1991 Hauerwas et al.
- 5,281,233 A 1/1994 Dolev
- 5,377,699 A 1/1995 Varnum
- 5,383,273 A 1/1995 Muller et al.
- D409,335 S 5/1999 Slater
- 5,976,157 A 11/1999 Yiu
- 6,123,713 A 9/2000 Yiu

(Continued)

OTHER PUBLICATIONS

U.S. Appl. No. 29/386,882, filed Mar. 4, 2011, Yiu, Wai Wah.

(Continued)

Related U.S. Application Data

- (62) Division of application No. 29/386,882, filed on Mar. 4, 2011, now Pat. No. Des. 676,200.

Primary Examiner — Jennifer Rivard

(74) *Attorney, Agent, or Firm* — Foley & Lardner LLP

Foreign Application Priority Data

- Oct. 29, 2010 (CN) 2010 3 0582522

(57) **CLAIM**

I claim the ornamental design for a cosmetic device, as shown and described.

- (51) **LOC (10) CL.** **28-03**

DESCRIPTION

- (52) **U.S. CL.**

USPC **D28/58**; D28/59; D24/133; D24/146

- (58) **Field of Classification Search**

USPC 132/73, 73.5–73.6, 75.3, 75.6, 75.8,
132/76.4–76.5; D28/56–59, 49–54;
30/43.92, 34.1, 26; D24/146–146, 133;
606/131–134; 607/88

See application file for complete search history.

FIG. 1 is a perspective view from above of the claimed design; FIG. 2 is a perspective view from below of the claimed design of FIG. 1; FIG. 3 is a top view of the claimed design of FIG. 1; FIG. 4 is a bottom view of the claimed design of FIG. 1; FIG. 5 is a left side view of the claimed design of FIG. 1; FIG. 6 is a right side view of the claimed design of FIG. 1; FIG. 7 is a front view of the claimed design of FIG. 1; and, FIG. 8 is a rear view of the claimed design of FIG. 1.

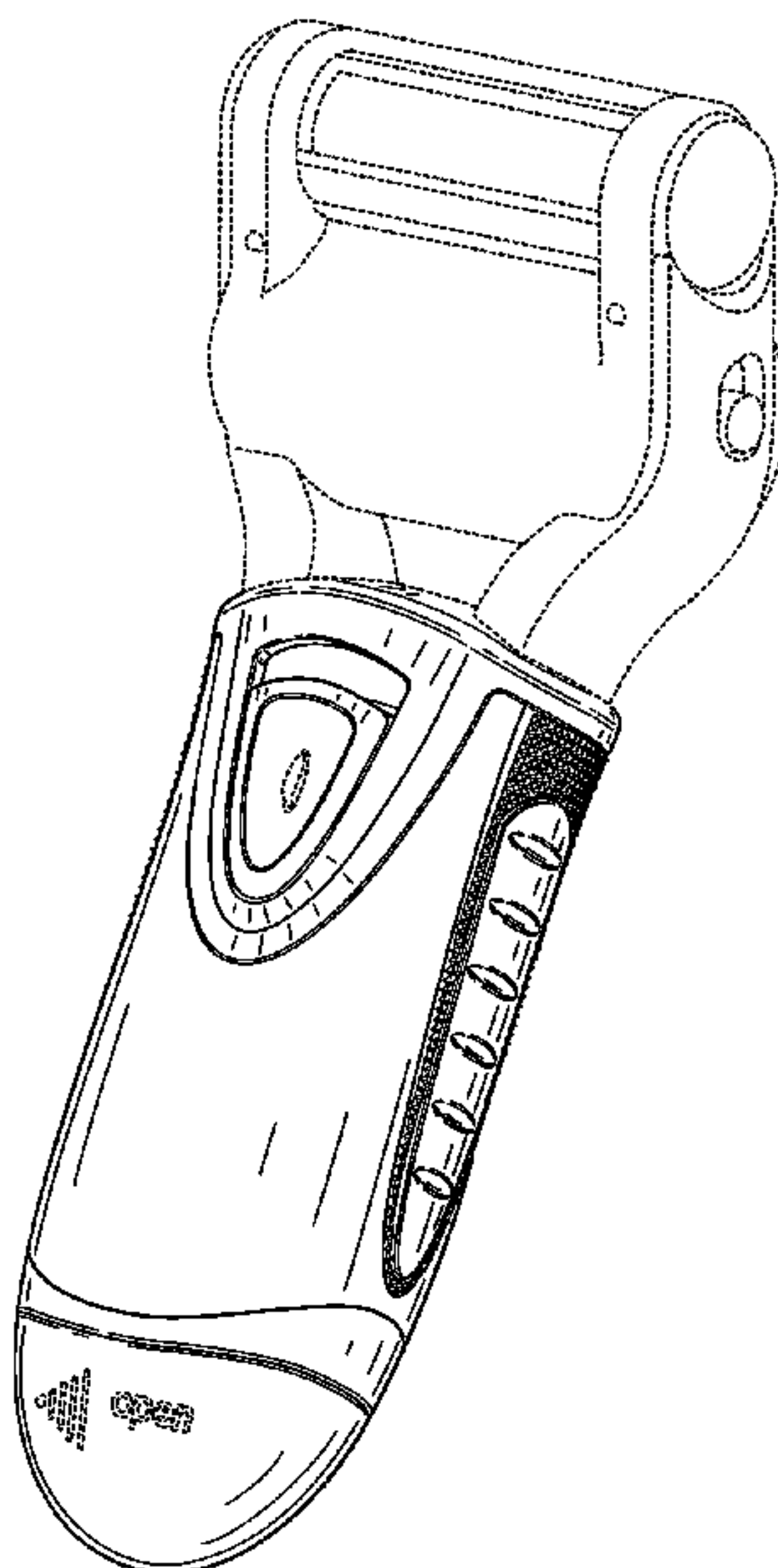
The claimed design is shown in solid lines. The broken lines illustrate portions of the cosmetic device and form no part of the claimed design.

- (56) **References Cited**

U.S. PATENT DOCUMENTS

- 1,482,837 A 2/1924 Buck
- 2,867,214 A 1/1959 Wilson
- 2,936,768 A 5/1960 Chamberlain

1 Claim, 6 Drawing Sheets



(56)

References Cited

U.S. PATENT DOCUMENTS

6,159,222 A 12/2000 Yiu
 6,391,034 B1 5/2002 Adamson et al.
 6,436,106 B2 8/2002 Yiu
 6,471,712 B2 10/2002 Burres
 6,523,546 B2 2/2003 Jo et al.
 6,551,262 B1 4/2003 Lechtman
 6,824,461 B1 11/2004 Dolev
 6,824,546 B1 11/2004 Yiu
 D499,842 S 12/2004 Yiu
 D509,626 S 9/2005 Yiu
 D556,380 S 11/2007 Long
 D581,596 S 11/2008 Sarway
 D598,165 S 8/2009 Platek
 7,581,545 B1 9/2009 Moldawski et al.
 7,597,696 B2 10/2009 Poran
 D611,198 S 3/2010 Platek
 D626,693 S 11/2010 Harbeke
 D628,744 S 12/2010 Goetschi
 D638,166 S 5/2011 Martinez De San Vicente

D645,204 S 9/2011 Platek
 D676,200 S 2/2013 Yiu
 D678,614 S * 3/2013 Yiu D28/58
 D681,277 S * 4/2013 Yiu D28/58
 D692,181 S * 10/2013 Yiu D28/58
 2005/0187563 A1 8/2005 Yiu
 2006/0260629 A1 11/2006 Chern
 2008/0187563 A1 8/2008 Levy
 2009/0182349 A1 7/2009 Poran
 2009/0301507 A1 12/2009 Tes et al.
 2012/0226289 A1 * 9/2012 Yiu 606/131

OTHER PUBLICATIONS

U.S. Appl. No. 29/408,409, filed Dec. 12, 2011, Yiu, Wai Wah.
 U.S. Appl. No. 29/424,848, filed Jun. 15, 2012, Yiu, Wai Wah.
 U.S. Appl. No. 29/433,639, filed Oct. 2, 2012, Forstar Limited.
 U.S. Appl. No. 29/435,131, filed Oct. 19, 2012, Soft Lines International, Inc.
 U.S. Appl. No. 29/440,569, filed Dec. 21, 2012, Forstar Limited.

* cited by examiner

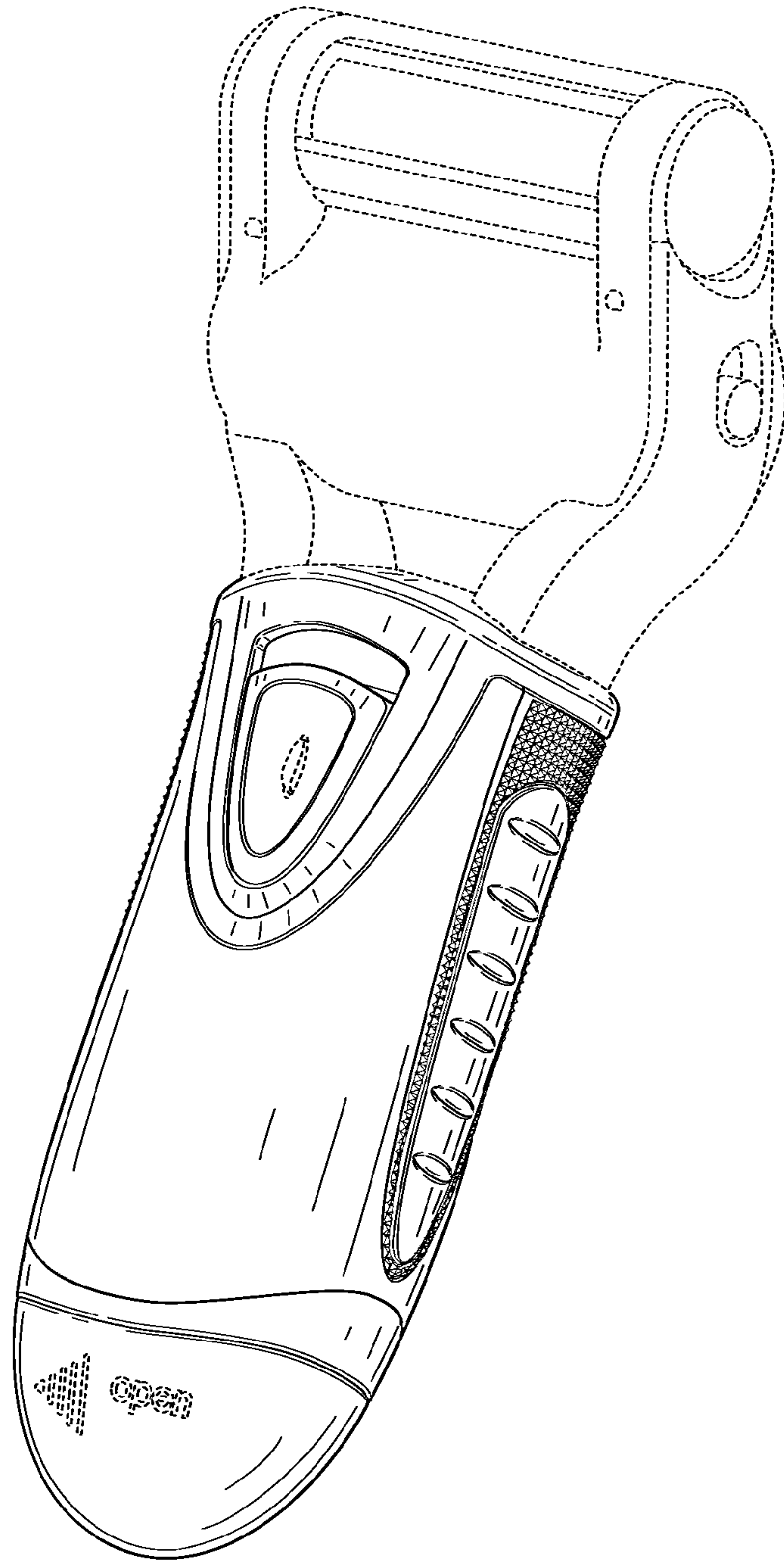


FIG. 1

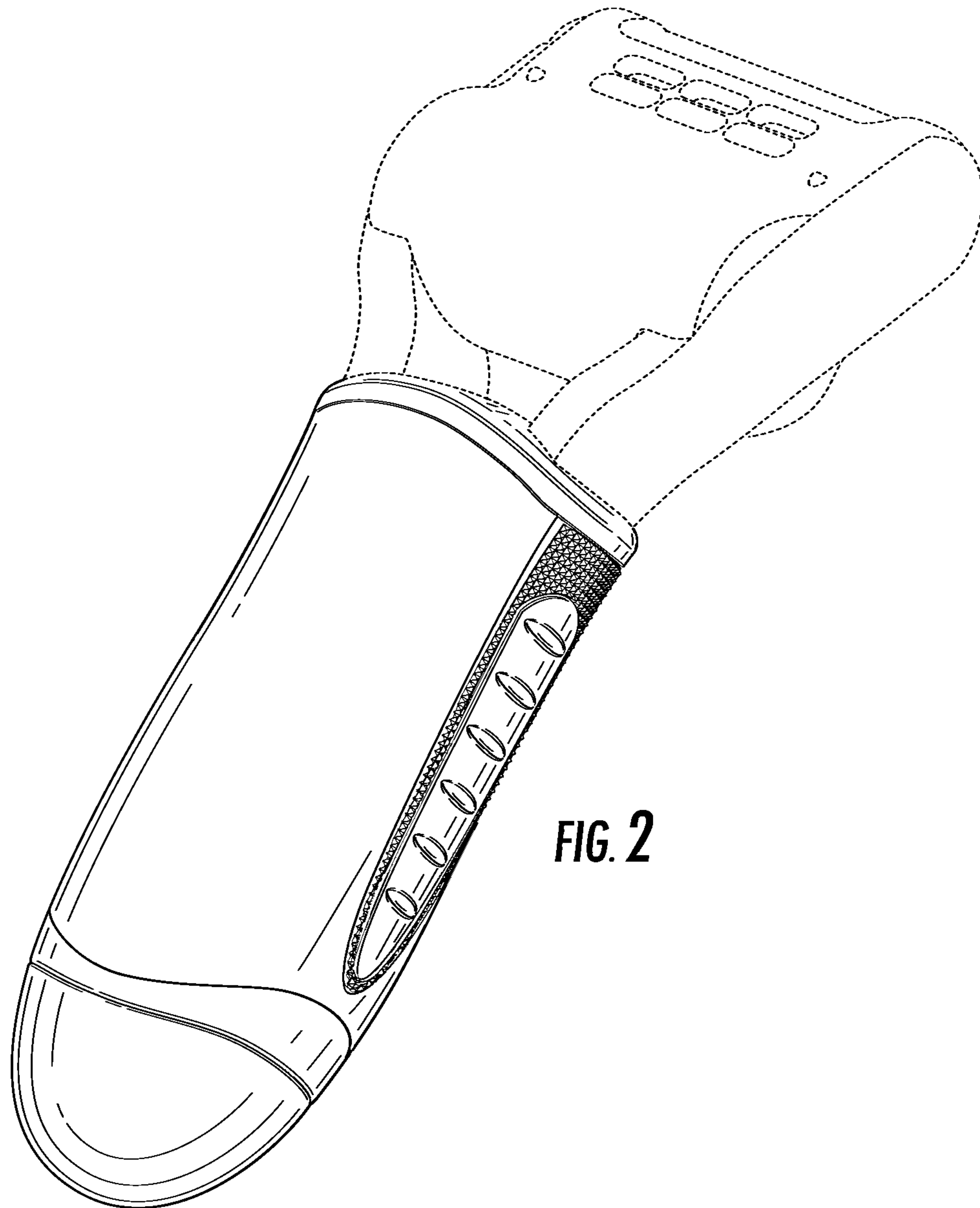


FIG. 2

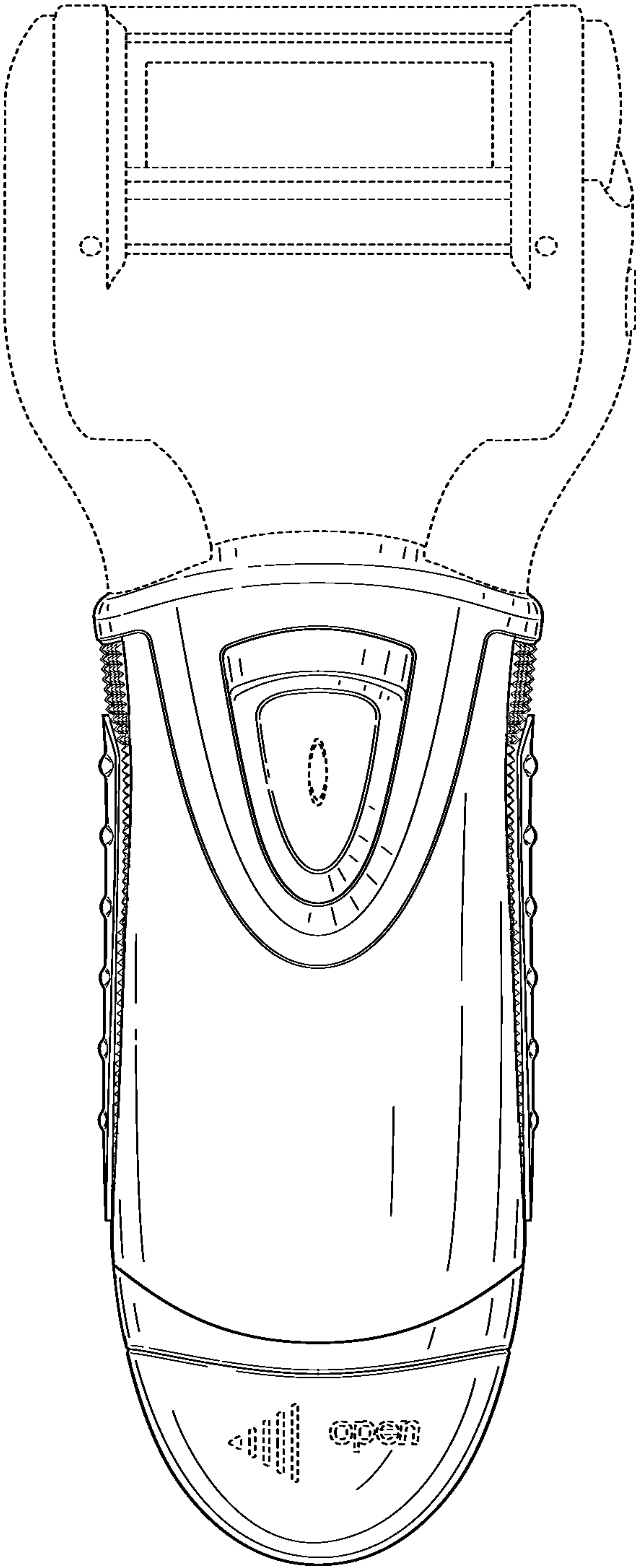


FIG. 3

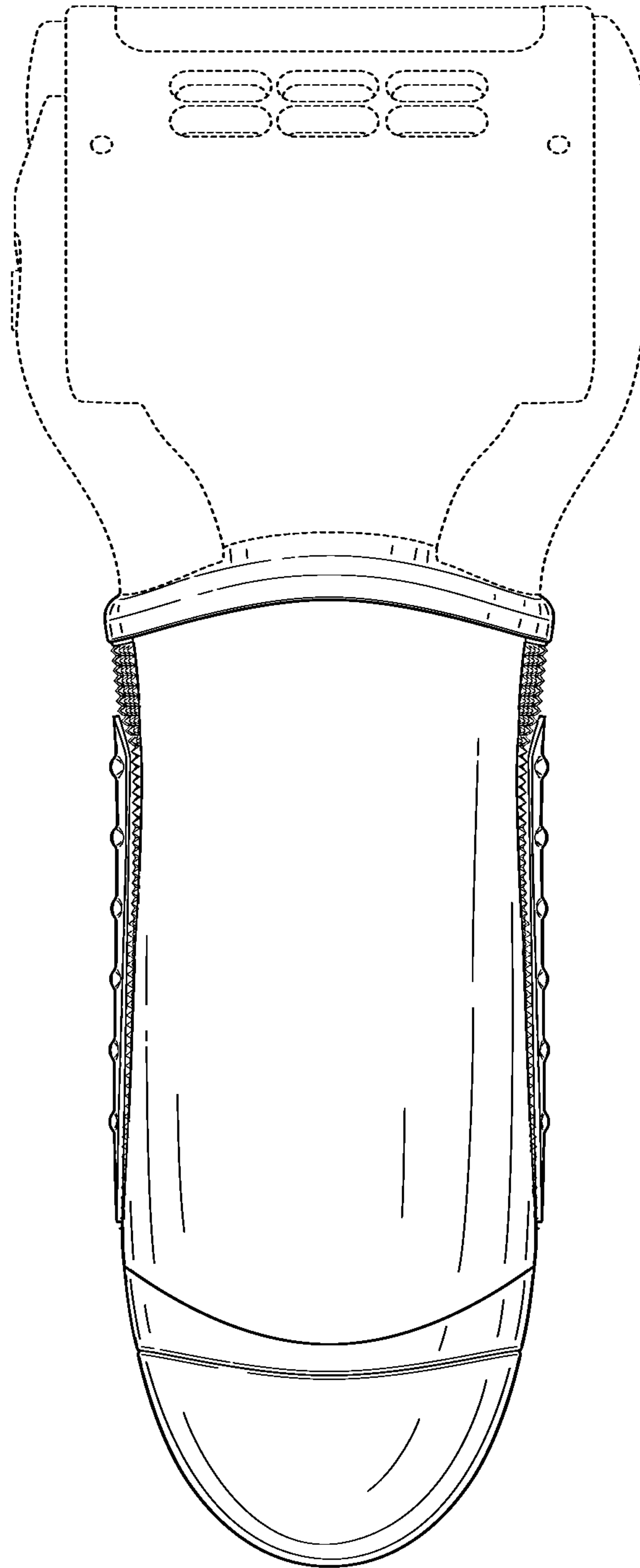


FIG. 4

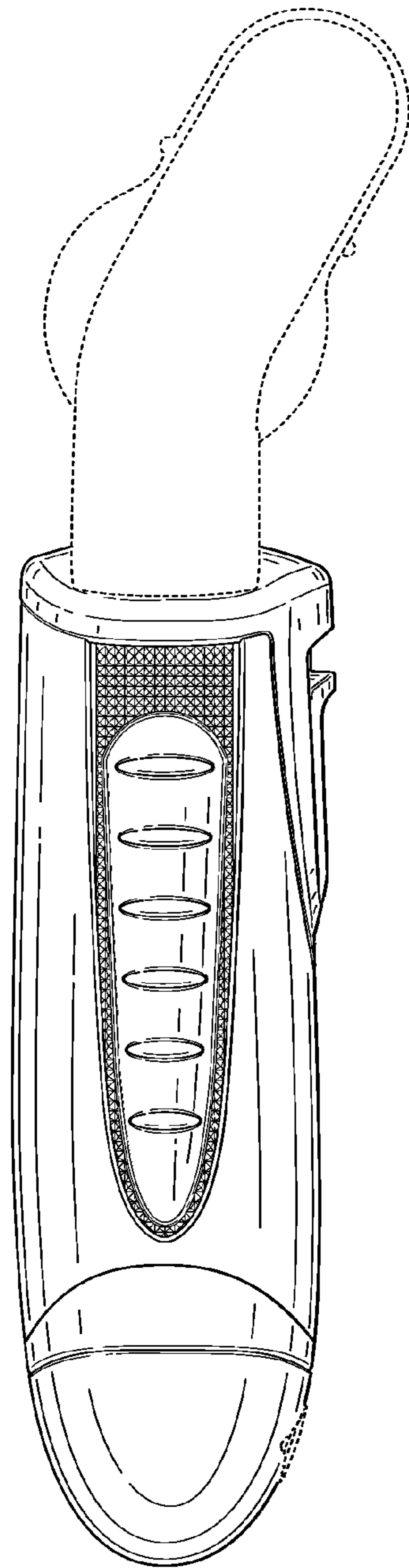


FIG. 5

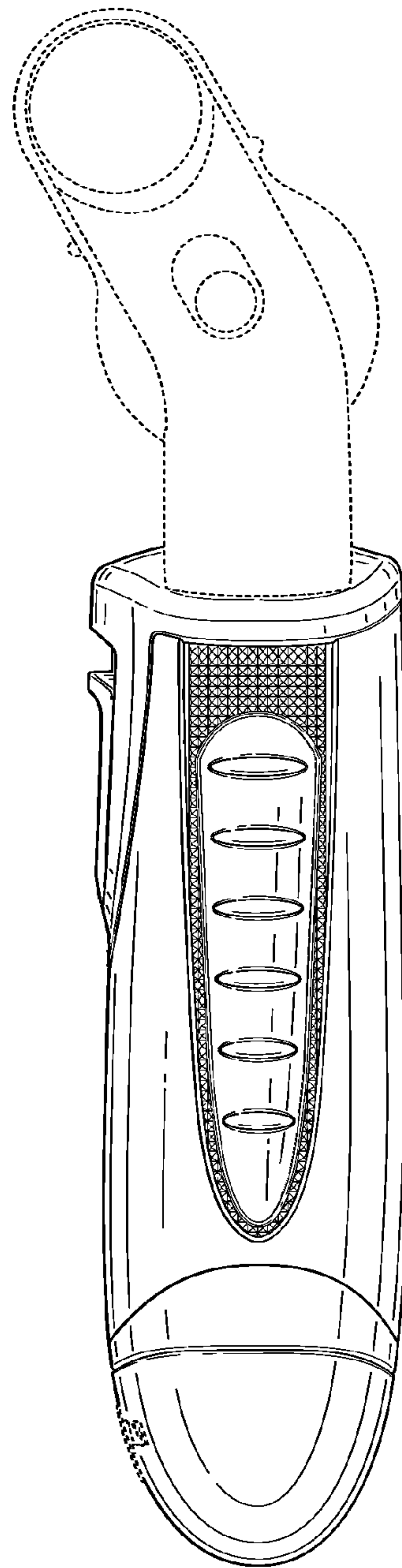


FIG. 6

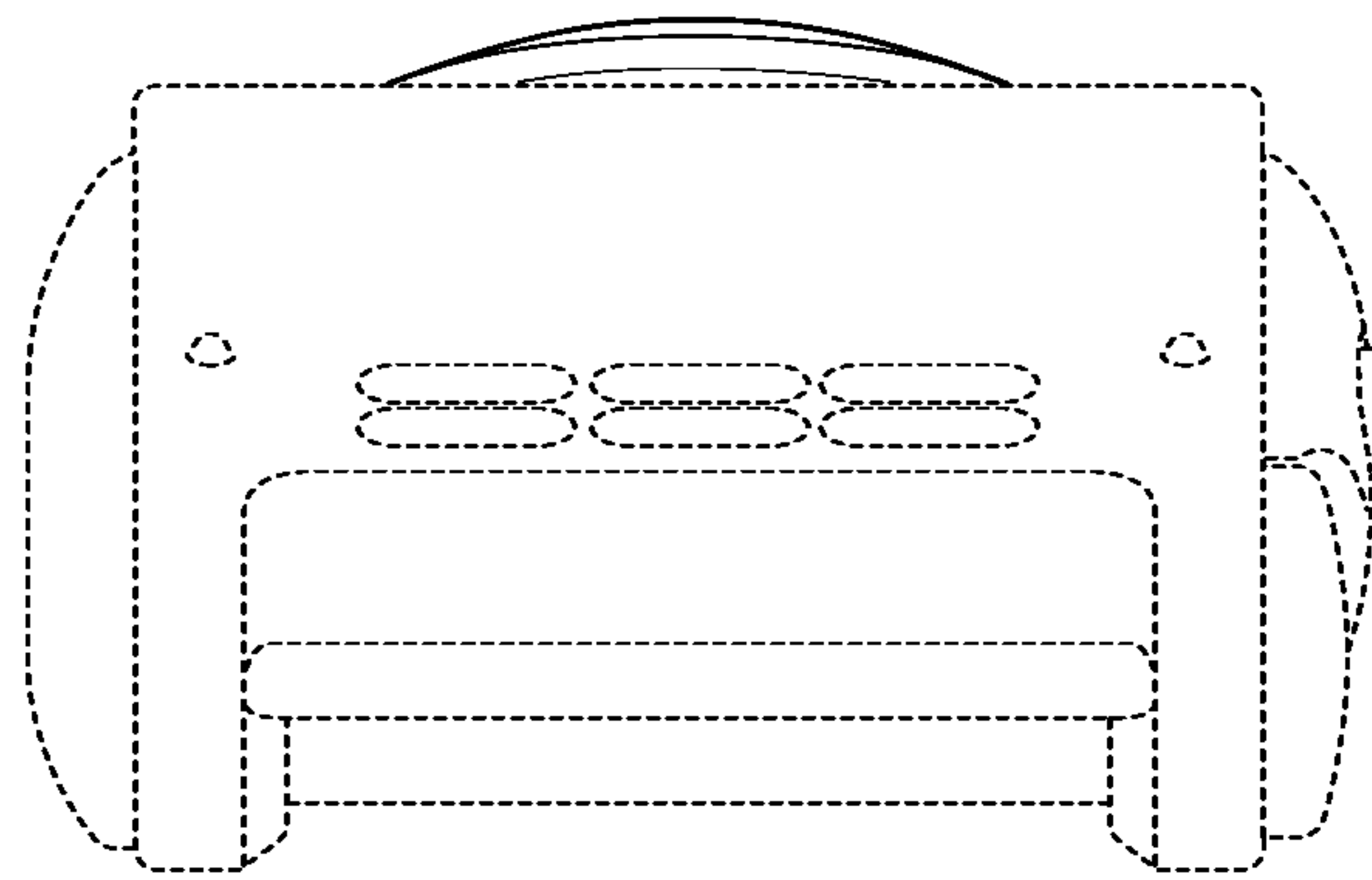


FIG. 7

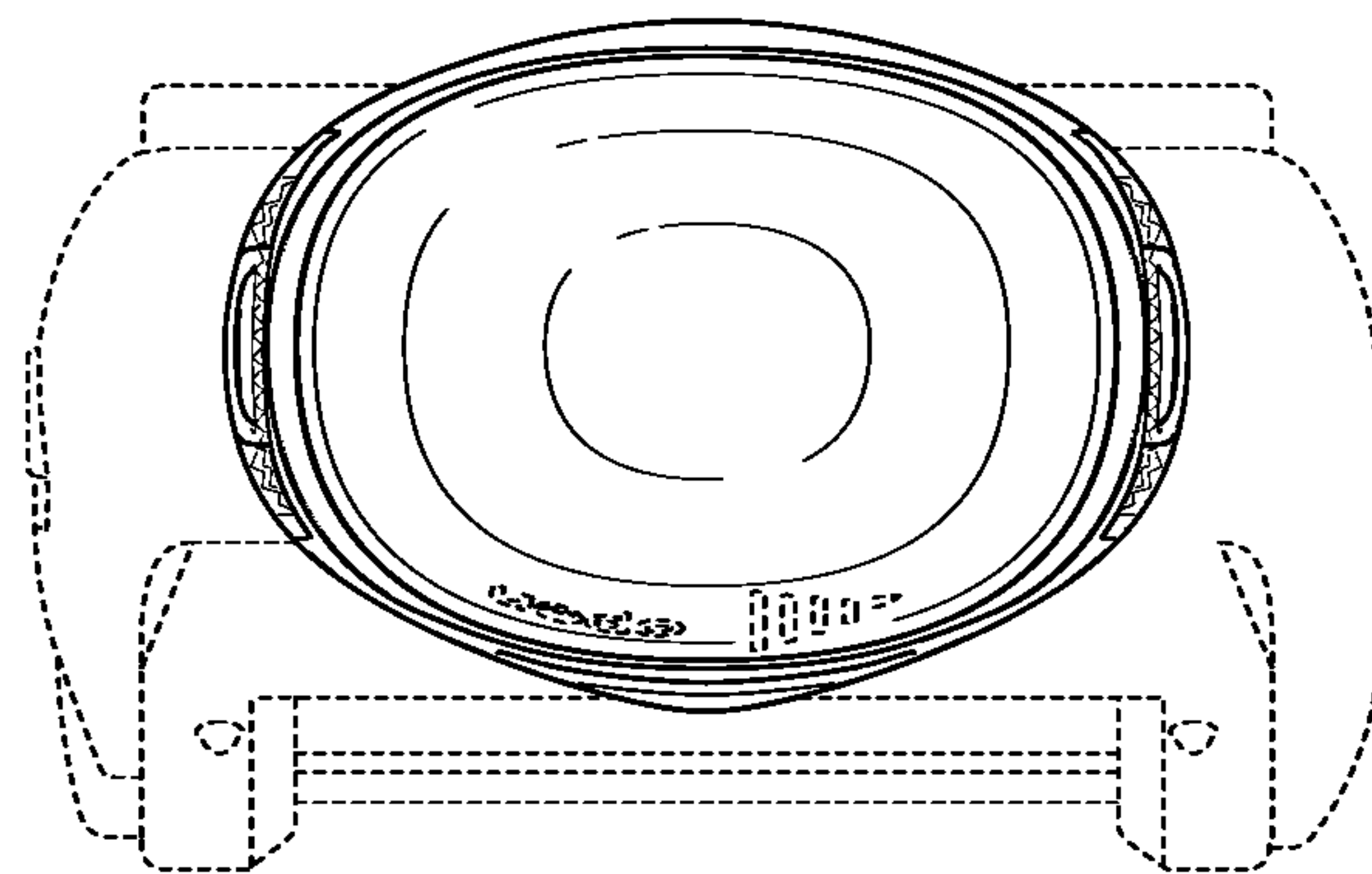


FIG. 8