



US00D701645S

(12) **United States Design Patent**
Noel

(10) **Patent No.:** **US D701,645 S**
(45) **Date of Patent:** **** Mar. 25, 2014**

(54) **PONYTAIL HOLDER**

(71) Applicant: **Huguens Noel**, Montclair, NJ (US)

(72) Inventor: **Huguens Noel**, Montclair, NJ (US)

(**) Term: **14 Years**

(21) Appl. No.: **29/453,443**

(22) Filed: **Apr. 29, 2013**

(51) **LOC (10) Cl.** **28-03**

(52) **U.S. Cl.**
USPC **D28/41**

(58) **Field of Classification Search**
USPC D28/21-34, 39-43; 132/101, 126,
132/128-131, 144, 148, 219, 275-284;
D8/396, 394, 383; D11/1-5, 12, 18,
D11/26, 27, 184; 63/3, 15, 15.4, 41
See application file for complete search history.

(56) **References Cited**

U.S. PATENT DOCUMENTS

4,033,143 A * 7/1977 Michael 63/15
D364,482 S * 11/1995 Hsu D28/10
D591,634 S * 5/2009 Gorman D11/4

D616,325 S * 5/2010 Shaforost D11/4
D621,737 S * 8/2010 Marks D11/35
D654,624 S * 2/2012 Hsu D28/41

* cited by examiner

Primary Examiner — Zenia Bennett

(57) **CLAIM**

I claim the ornamental design for a ponytail holder, as shown and described.

DESCRIPTION

FIG. 1 is a perspective view of a ponytail holder, showing my new design in an as-worn configuration;
FIG. 2 is a perspective view thereof, illustrated in a flat configuration;
FIG. 3 is a front elevational view thereof;
FIG. 4 is a rear elevational view thereof;
FIG. 5 is a left-side elevational view thereof;
FIG. 6 is a right-side elevational view thereof;
FIG. 7 is a top plan view thereof; and,
FIG. 8 is a bottom plan view thereof.
The broken lines showing a person in FIG. 1 depict environmental matter and form no part of the claimed design.

1 Claim, 3 Drawing Sheets

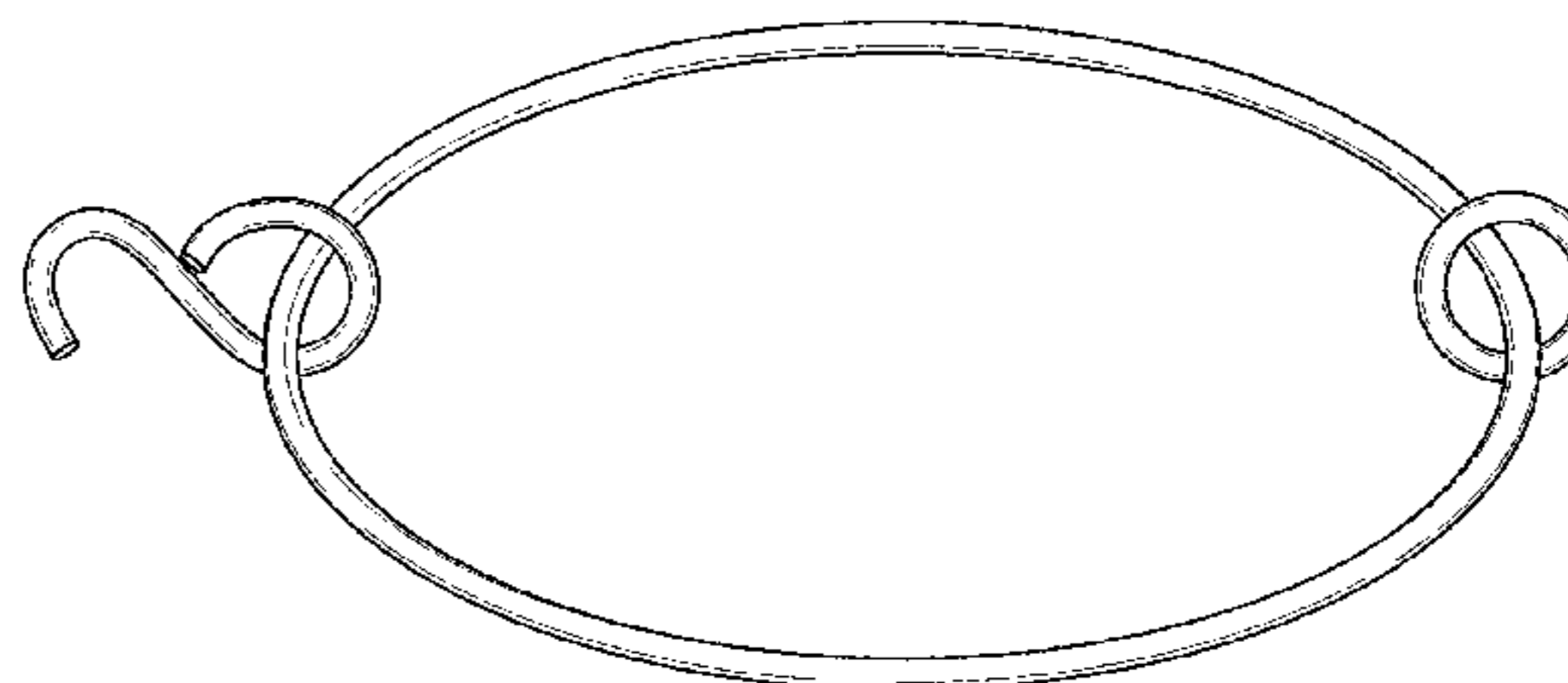
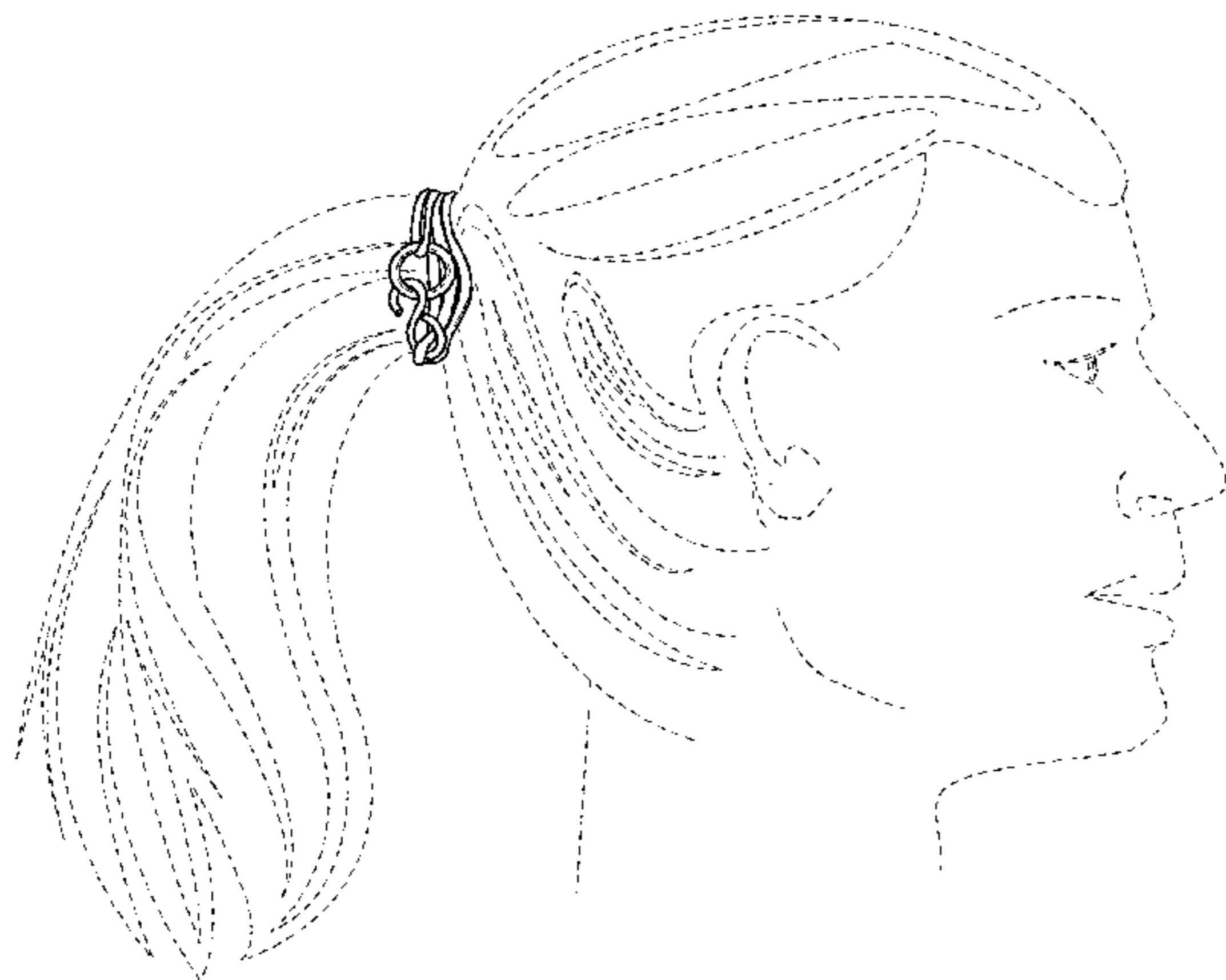




FIG. 1

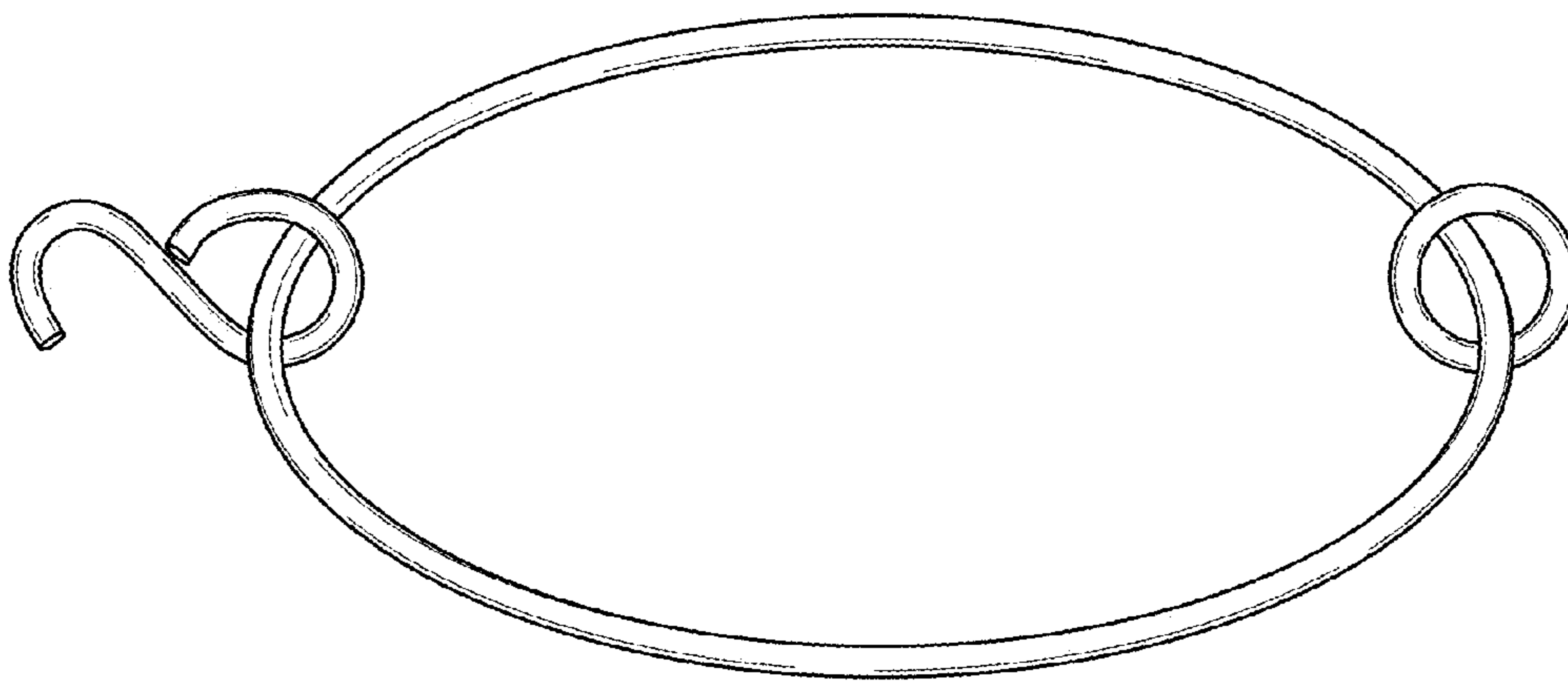


FIG. 2

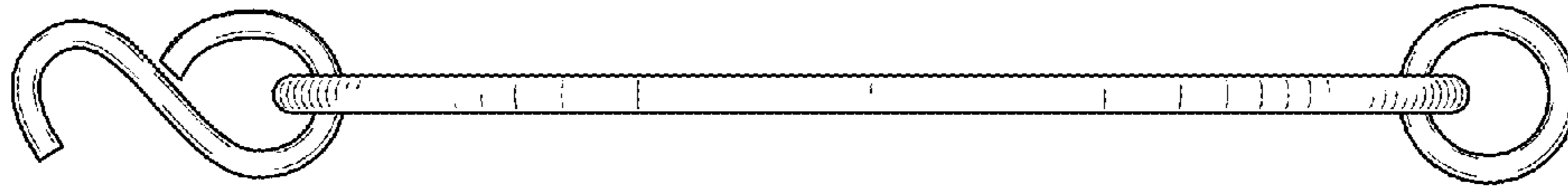


FIG. 3

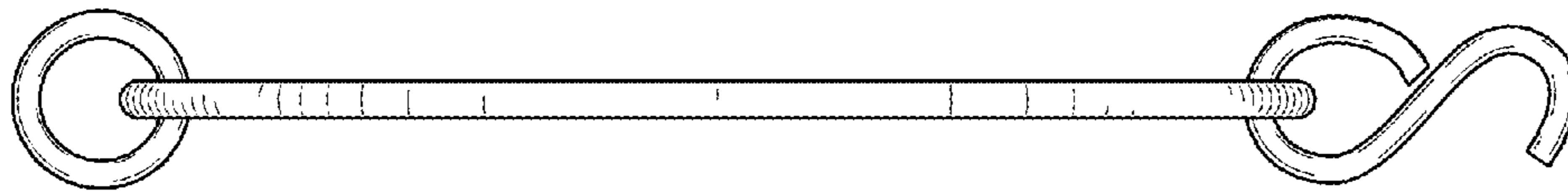


FIG. 4

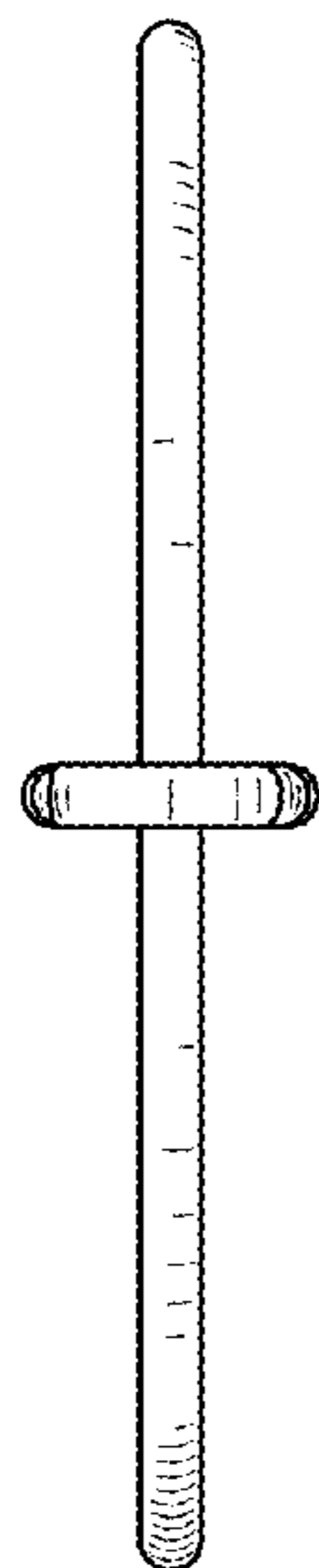


FIG. 5

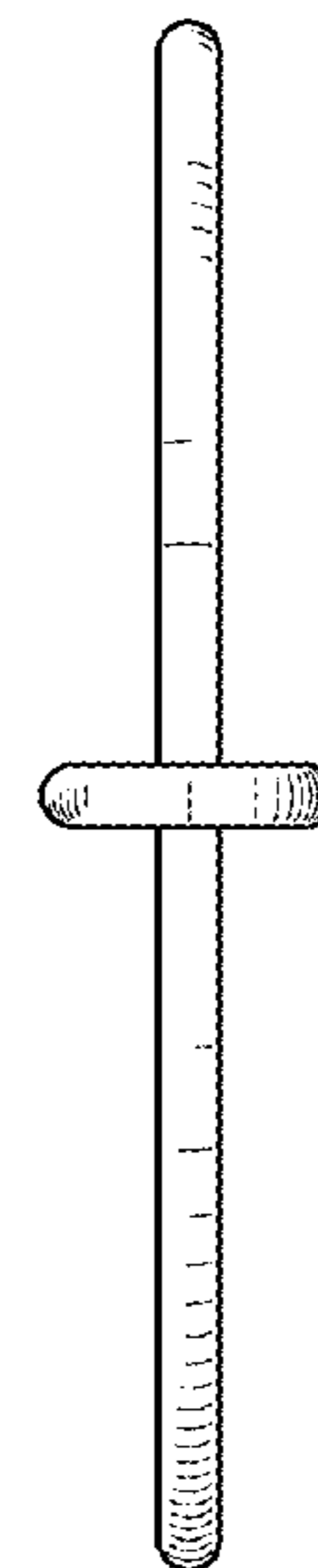


FIG. 6

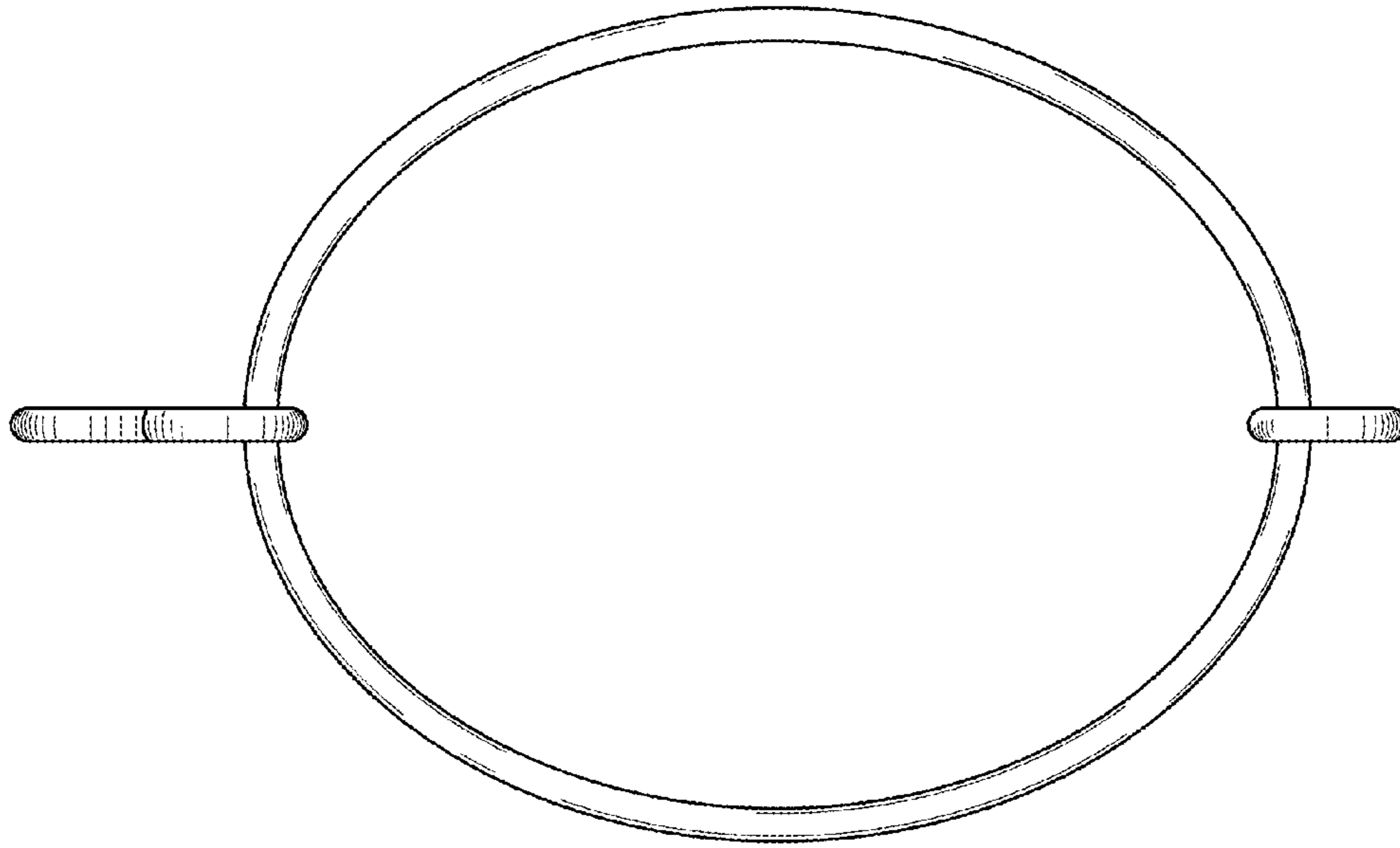


FIG. 7

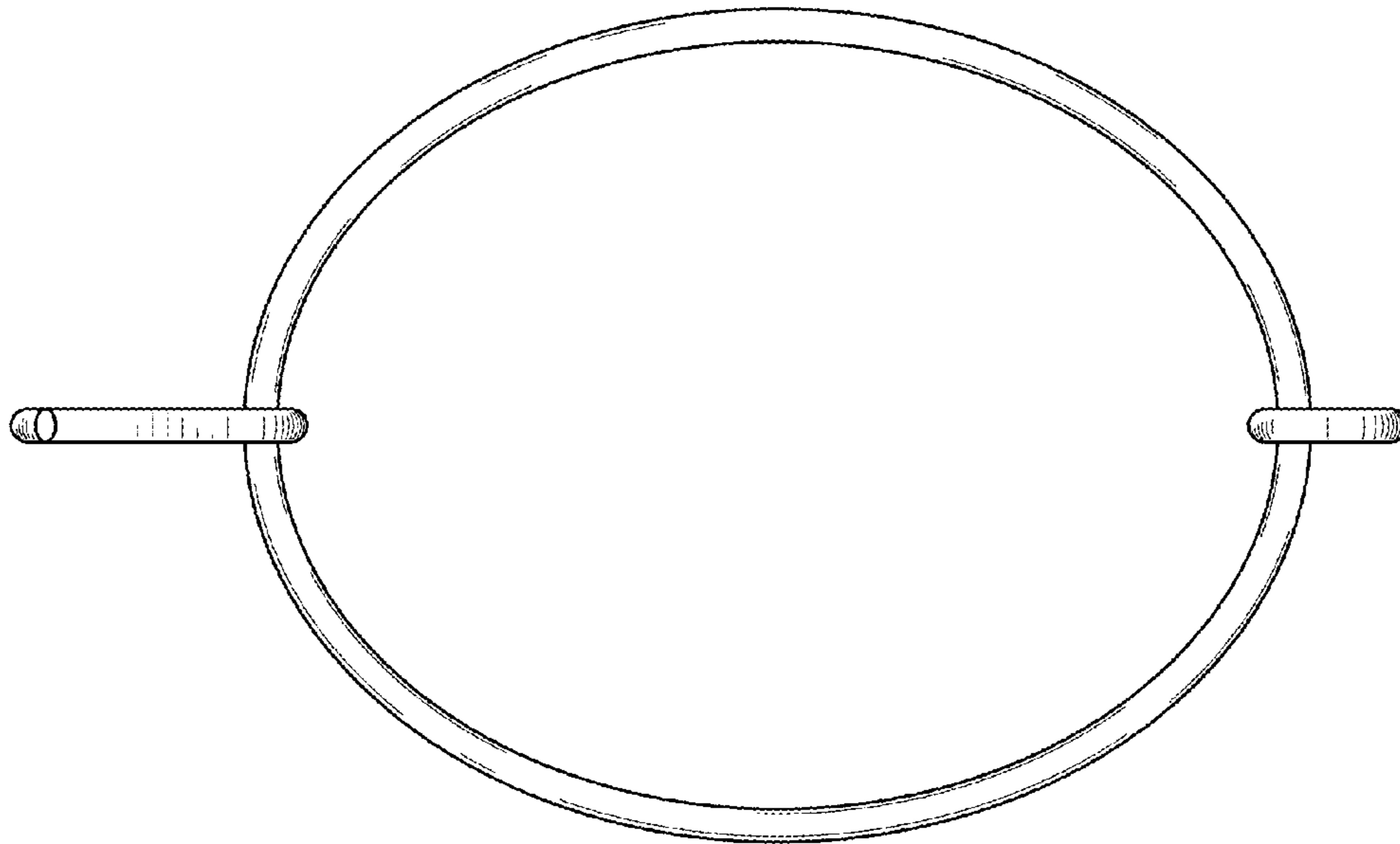


FIG. 8