



US00D701638S

(12) **United States Design Patent**
Inaba

(10) **Patent No.:** **US D701,638 S**
(45) **Date of Patent:** **** Mar. 25, 2014**

(54) **LAMP LENS**

(71) Applicant: **Tetsuaki Inaba**, Shizuoka (JP)

(72) Inventor: **Tetsuaki Inaba**, Shizuoka (JP)

(73) Assignee: **Koito Manufacturing Co., Ltd.**, Tokyo (JP)

(**) Term: **14 Years**

(21) Appl. No.: **29/448,447**

(22) Filed: **Mar. 12, 2013**

(30) **Foreign Application Priority Data**

Sep. 27, 2012 (JP) 2012-023536

(51) **LOC (10) Cl.** **26-99**

(52) **U.S. Cl.**
USPC **D26/124**

(58) **Field of Classification Search**

USPC D26/113, 1, 2, 3, 72, 76, 120, 119, 124,
D26/125, 78, 77, 138, 122, 123, 74, 75, 118,
D26/68, 62, 65, 127, 128, 142, 66, 69, 73,
D26/84, 86, 89, 45, 56, 57, 58, 59, 64, 67,
D26/82, 126, 134, 135, 136, 143, 145, 71,
D26/121, 129, 131, 132, 137, 140, 141, 151,
D26/152, 155, 154; 362/294, 374, 249.02,
362/154, 326; D13/110, 134, 146, 179, 180

See application file for complete search history.

(56) **References Cited**

U.S. PATENT DOCUMENTS

D140,840 S * 4/1945 Cressaty D26/124
D367,829 S * 3/1996 Takigawa D10/132
5,704,709 A * 1/1998 Zwick et al. 362/304
6,488,386 B1 * 12/2002 Yan 362/216
D480,384 S * 10/2003 Fuse D14/217
D495,822 S * 9/2004 Yoneda D26/124

D523,333 S * 6/2006 Moretti D9/444
7,081,644 B2 * 7/2006 Flaherty et al. 257/98
D576,575 S * 9/2008 Kanayama et al. D13/180
7,473,013 B2 * 1/2009 Shimada 362/327
D620,635 S * 7/2010 Chen et al. D26/124
D632,834 S * 2/2011 Kon D26/124
D634,883 S * 3/2011 Kim et al. D26/120
D666,353 S * 8/2012 Lin et al. D26/124
D678,598 S * 3/2013 Wu et al. D26/120
8,500,300 B2 * 8/2013 Fang et al. 362/235
D689,649 S * 9/2013 Popper et al. D26/124
D691,322 S * 10/2013 Tang et al. D26/124
D691,323 S * 10/2013 Tang et al. D26/124
2006/0067079 A1 * 3/2006 Noh et al. 362/327
2006/0238881 A1 * 10/2006 Park et al. 359/642

(Continued)

Primary Examiner — Kevin Rudzinski

(74) *Attorney, Agent, or Firm* — Sughrue Mion, PLLC

(57) **CLAIM**

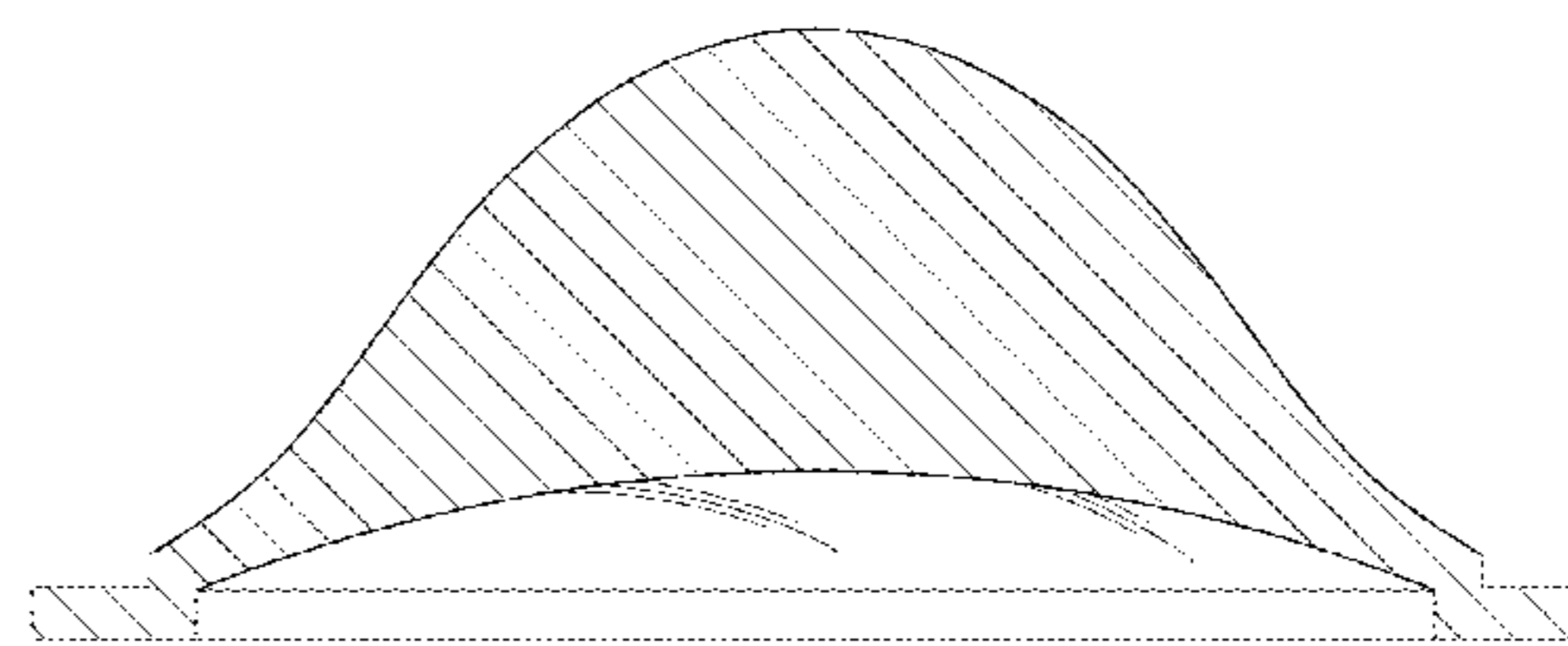
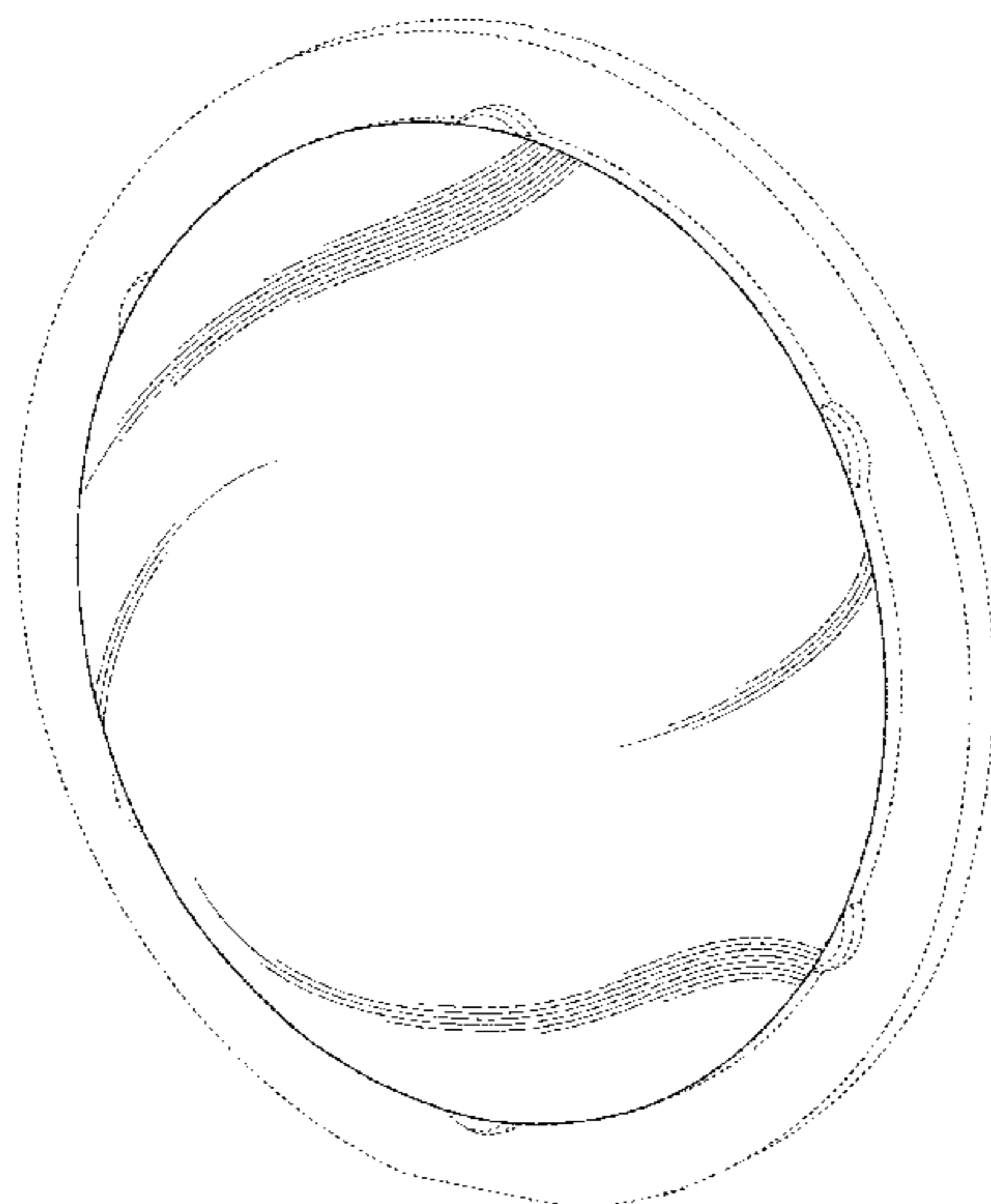
The ornamental design for a lamp lens, as shown and described.

DESCRIPTION

FIG. 1 is a perspective view of front, top and right side of a lamp lens according to my new design;
FIG. 2 is a perspective view of rear, top and right side thereof;
FIG. 3 is a front view thereof;
FIG. 4 is a rear view thereof;
FIG. 5 is a right side view thereof;
FIG. 6 is a top view thereof;
FIG. 7 is a bottom view thereof;
FIG. 8 is a cross sectional view thereof taken along line 8-8 of FIG. 3; and,
FIG. 9 is a cross sectional view thereof taken along line 9-9 of FIG. 3.

The portions of the article in broken lines are shown for illustrative purposes only and form no part of the claimed design.

1 Claim, 8 Drawing Sheets



(56)

References Cited

U.S. PATENT DOCUMENTS

2007/0070530	A1*	3/2007	Seo et al.	359/819	2008/0297918	A1*	12/2008	Park et al.	359/709
2007/0236952	A1*	10/2007	Chinniah et al.	362/538	2009/0129097	A1*	5/2009	Ewert et al.	362/328
2008/0203412	A1*	8/2008	Shyu et al.	257/98	2010/0014286	A1*	1/2010	Yoneda et al.	362/231
					2011/0110097	A1*	5/2011	Fu et al.	362/296.01
					2011/0280023	A1*	11/2011	Lee et al.	362/338

* cited by examiner

Fig. 1

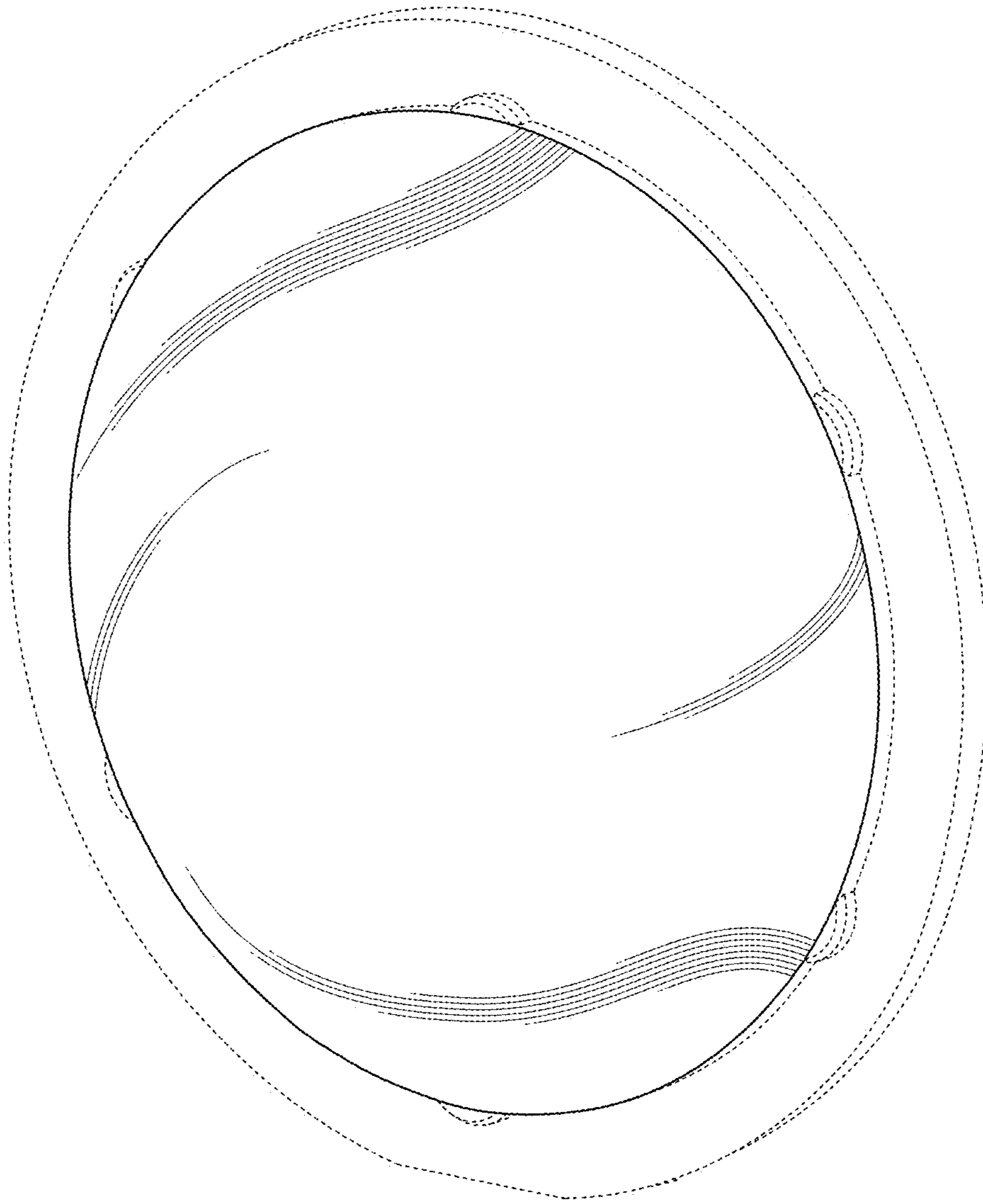


Fig. 2

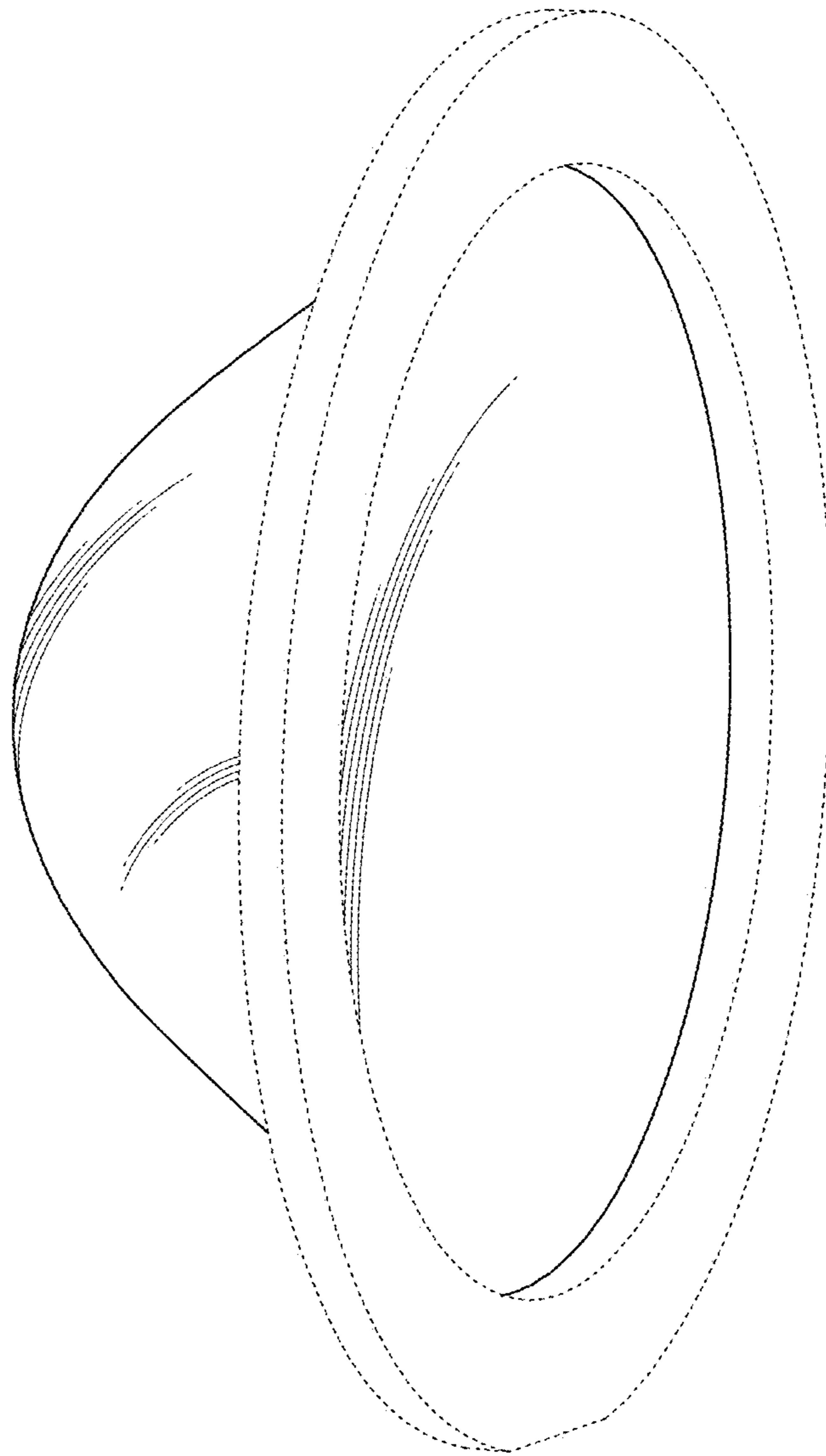


Fig. 3

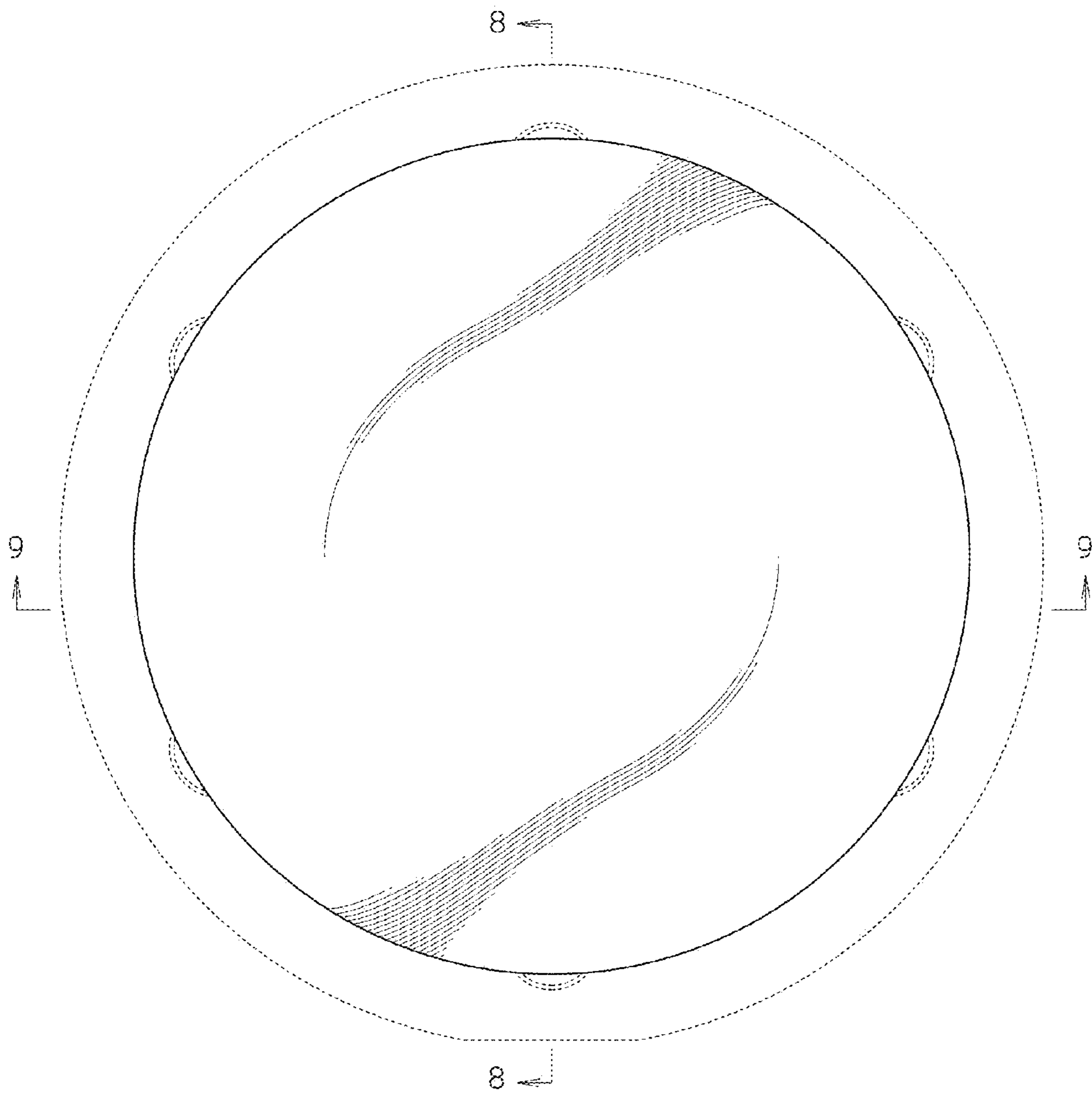


Fig. 4

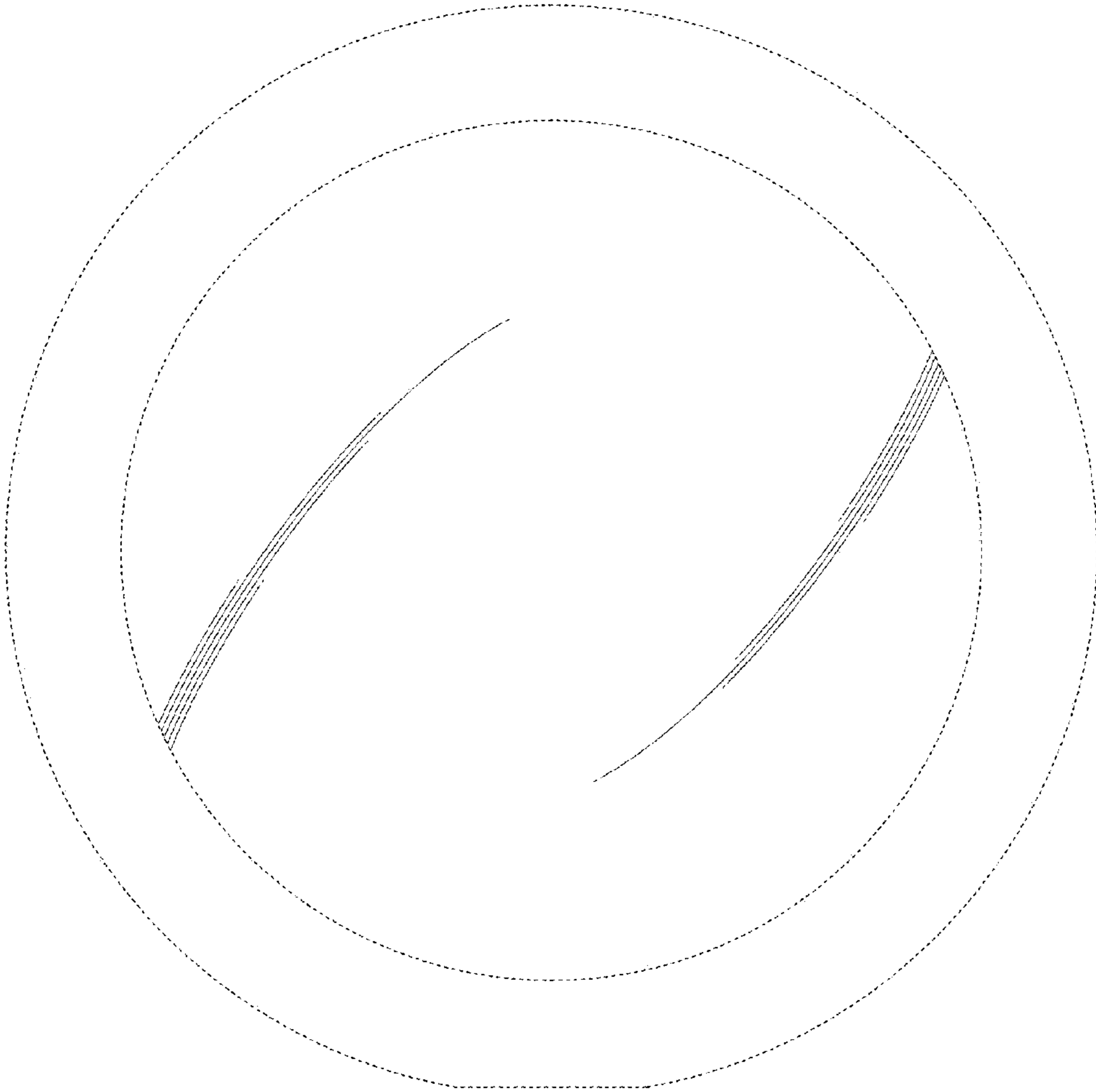


Fig. 5

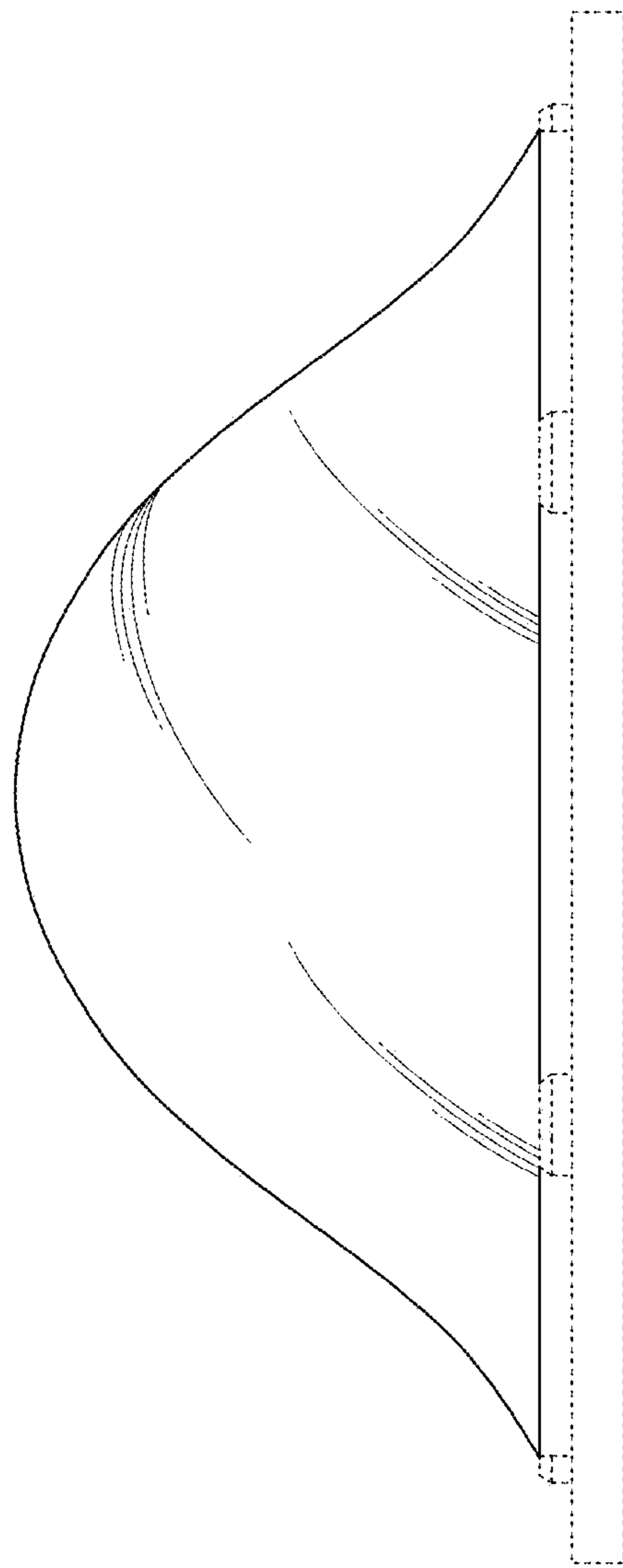


Fig. 6

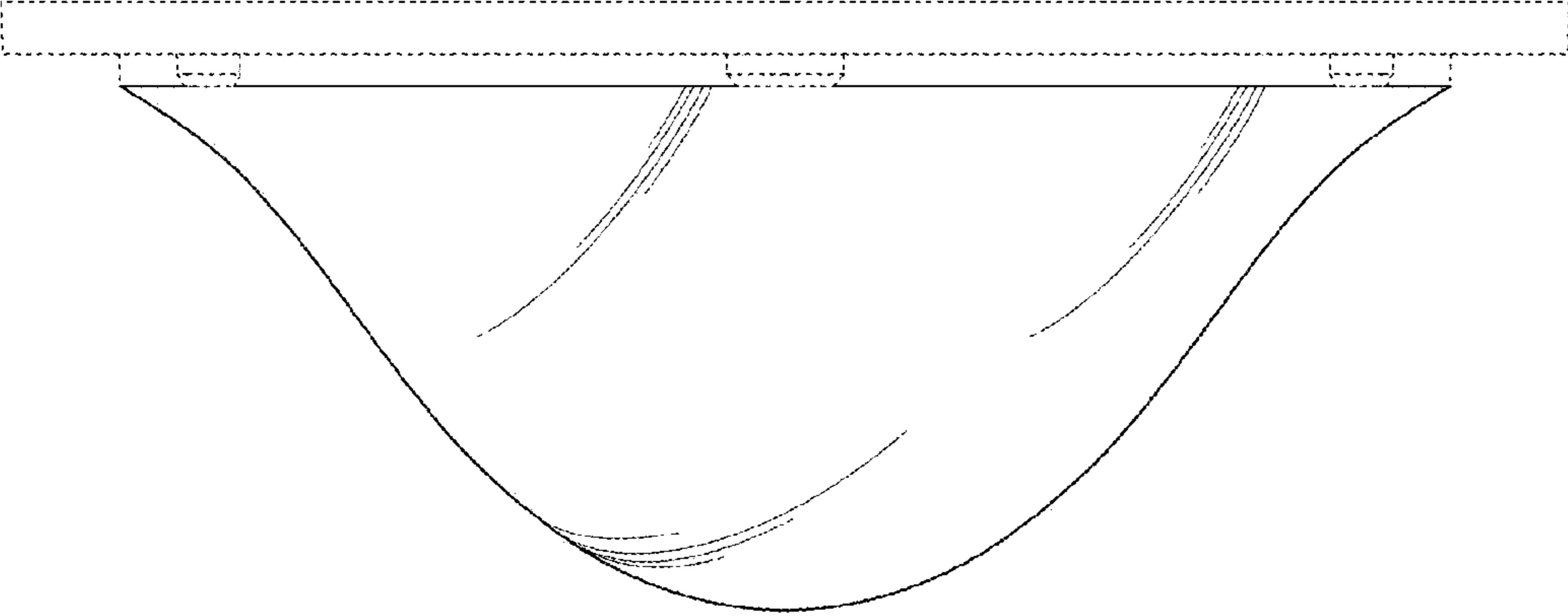


Fig. 7

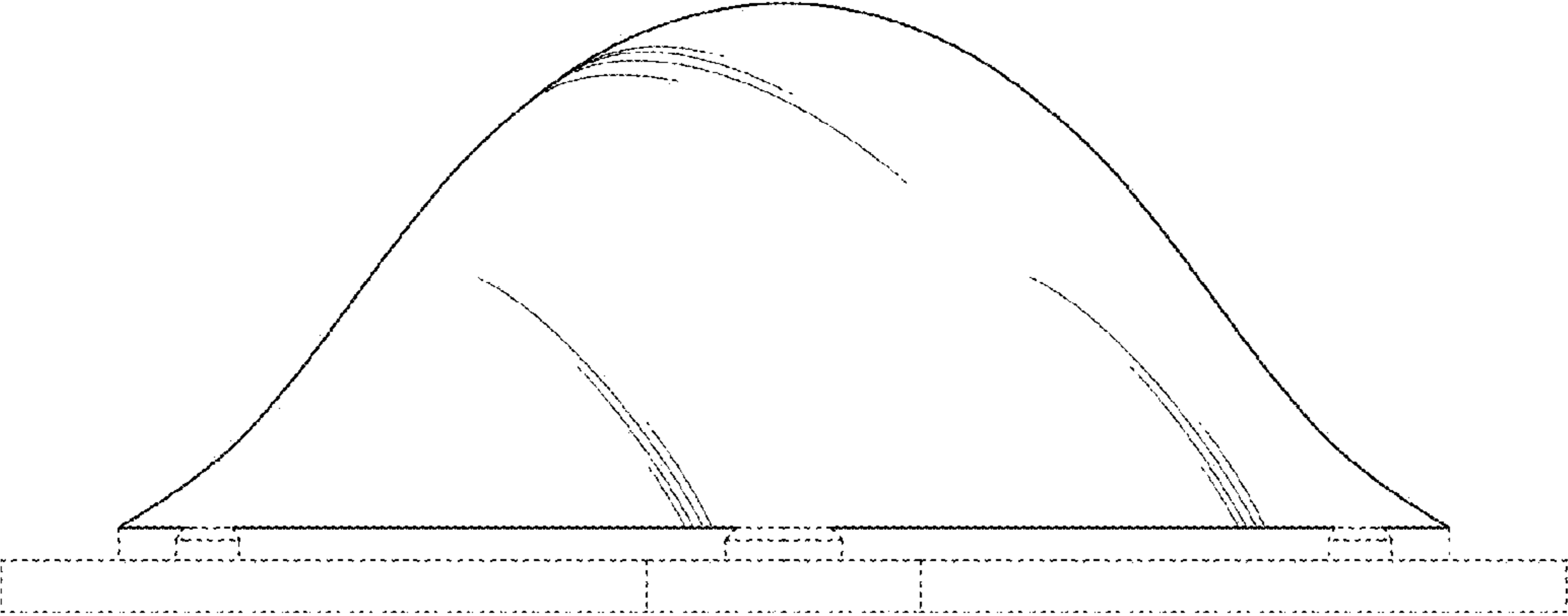


Fig. 8

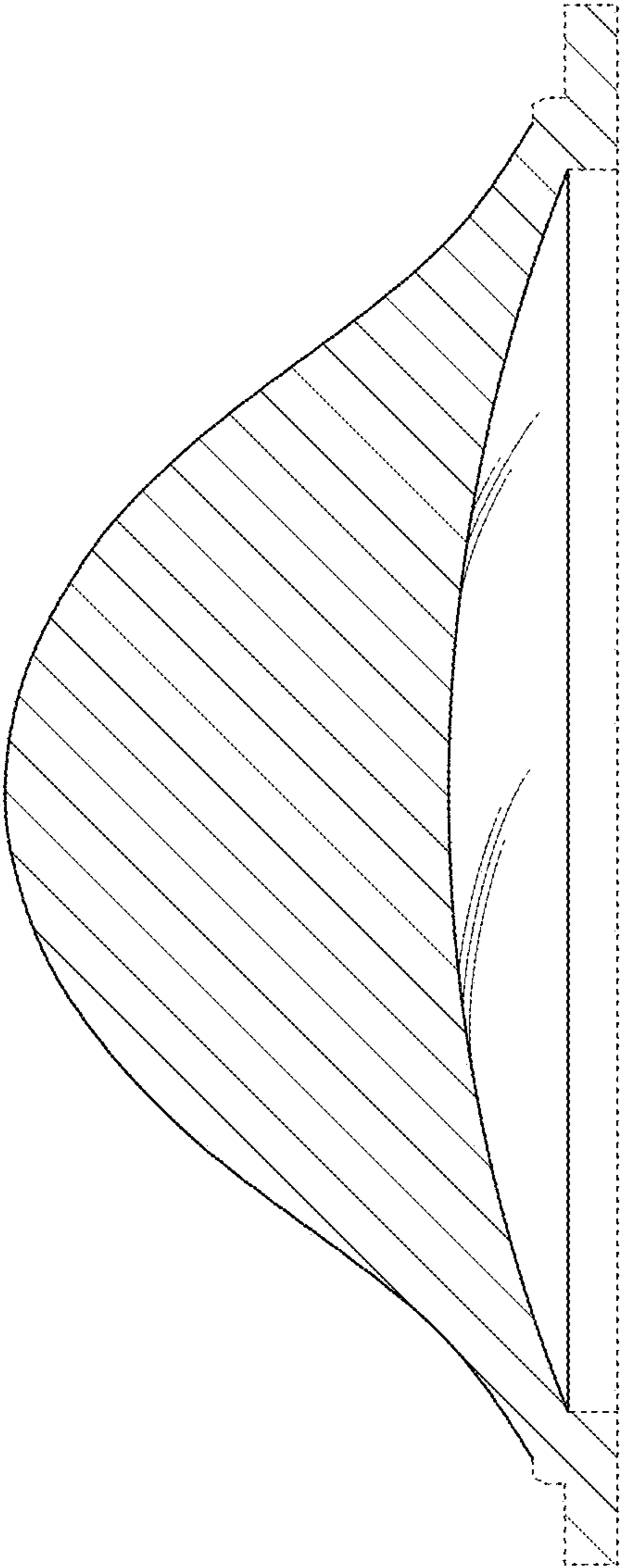


Fig. 9

