



US00D701633S

(12) **United States Design Patent**
Snell et al.

(10) **Patent No.:** **US D701,633 S**
(45) **Date of Patent:** **** Mar. 25, 2014**

(54) **LAMP**

(71) Applicant: **Cree, Inc.**, Durham, NC (US)

(72) Inventors: **Nathan Ray Snell**, Raleigh, NC (US);
Shawn Heeter, Cary, NC (US); **Vasavi Mandavilli**, Cary, NC (US)

(73) Assignee: **Cree, Inc.**, Durham, NC (US)

(**) Term: **14 Years**

(21) Appl. No.: **29/435,772**

(22) Filed: **Oct. 29, 2012**

(51) **LOC (10) Cl.** **26-05**

(52) **U.S. Cl.**
USPC **D26/74**

(58) **Field of Classification Search**
USPC D26/74, 113, 118, 119, 120, 122, 138,
D26/141, 24, 58, 59, 67, 72, 75, 76, 77, 78,
D26/79, 80, 81, 82, 83, 84, 85, 86, 88, 89,
D26/90, 91, 93, 105; 362/364, 365, 366,
362/145, 146, 147, 148, 150, 151, 152, 153,
362/153.1, 217.06, 217.07, 219, 294,
362/296.01, 311.07, 311.09
See application file for complete search history.

(56) **References Cited**

U.S. PATENT DOCUMENTS

D546,999 S *	7/2007	Rashidi	D26/118
D551,797 S *	9/2007	Rashidi	D26/118
D562,489 S *	2/2008	Rashidi	D26/74
D562,490 S *	2/2008	Rashidi	D26/74
D573,294 S *	7/2008	Chan et al.	D26/74
D595,005 S *	6/2009	Chou	D26/74
D636,921 S *	4/2011	Van de Ven et al.	D26/74

D638,160 S *	5/2011	Van De Ven et al.	D26/74
D674,127 S *	1/2013	Rowlette et al.	D26/74
D679,043 S *	3/2013	Jeswani et al.	D26/74
D681,863 S *	5/2013	Chen et al.	D26/74
2011/0075422 A1 *	3/2011	Van De Ven et al.	362/249.02
2013/0039070 A1 *	2/2013	Mathieu	362/294

* cited by examiner

Primary Examiner — Angela J Lee

(74) *Attorney, Agent, or Firm* — Dennis J. Williamson;
Moore & Van Allen PLLC

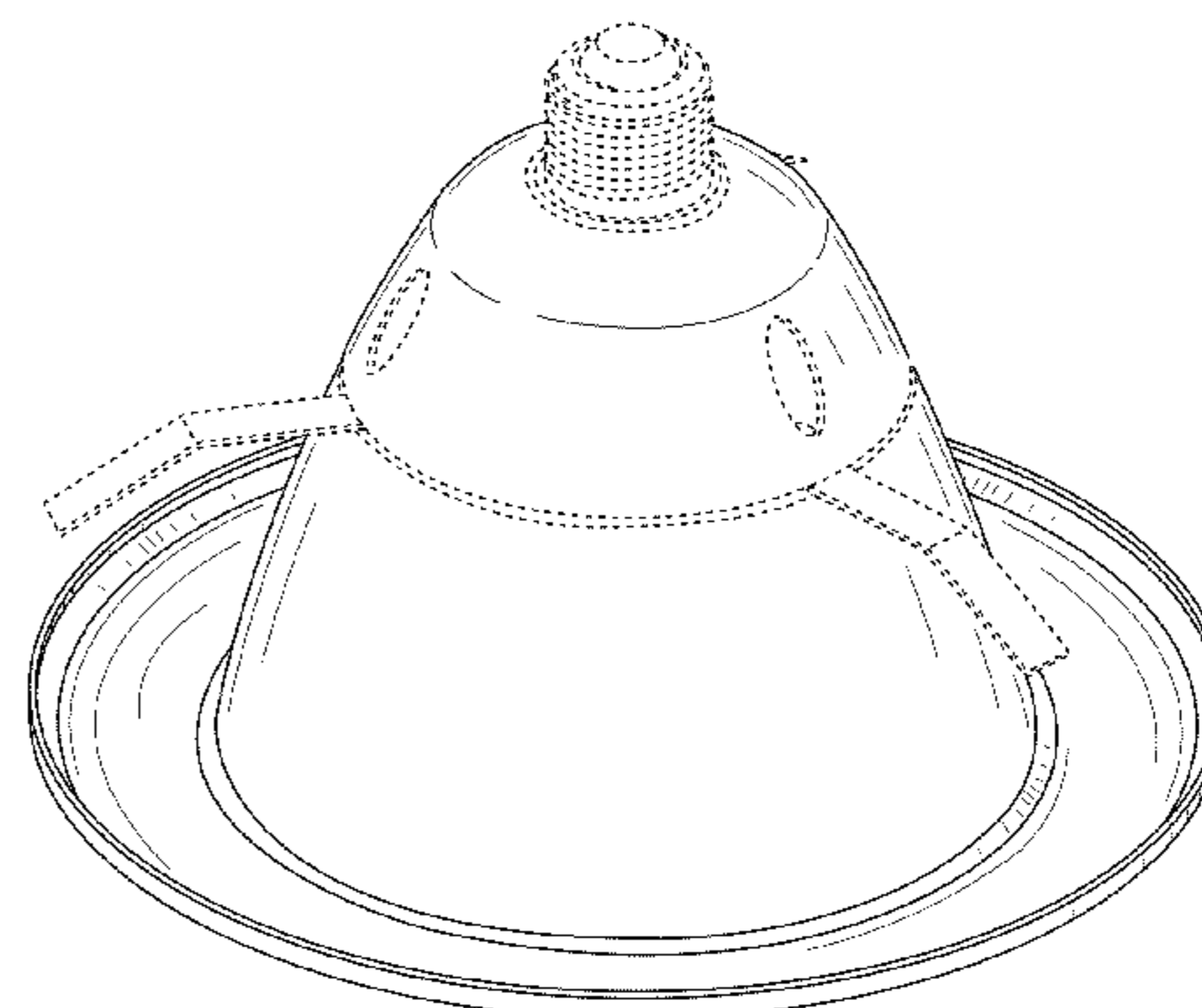
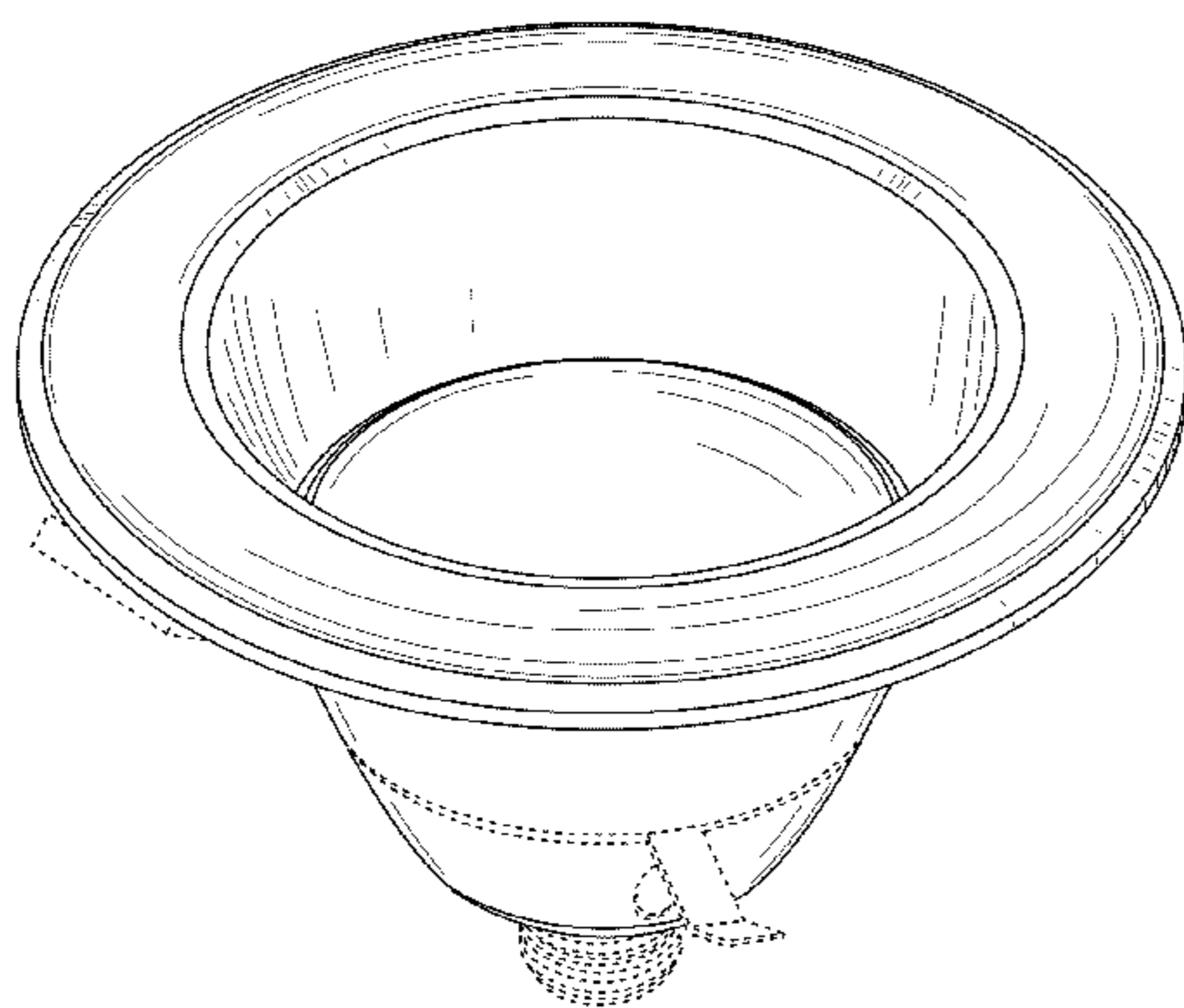
(57) **CLAIM**

We claim the ornamental designs for a lamp, as shown and described.

DESCRIPTION

FIG. 1 is a front view of a lamp showing our new design;
FIG. 2 is a right side view showing our new design shown in FIG. 1;
FIG. 3 is a left side view showing our new design shown in FIG. 1;
FIG. 4 is a back view showing our new design shown in FIG. 1;
FIG. 5 is a top view showing our new design shown in FIG. 1;
FIG. 6 is a bottom view showing our new design shown in FIG. 1;
FIG. 7 is a top perspective view showing our new design shown in FIG. 1; and,
FIG. 8 is a bottom perspective view showing our new design shown in FIG. 1.
The portions shown in broken lines are not part of the claimed designs but show the environment in which the designs are associated.

1 Claim, 8 Drawing Sheets



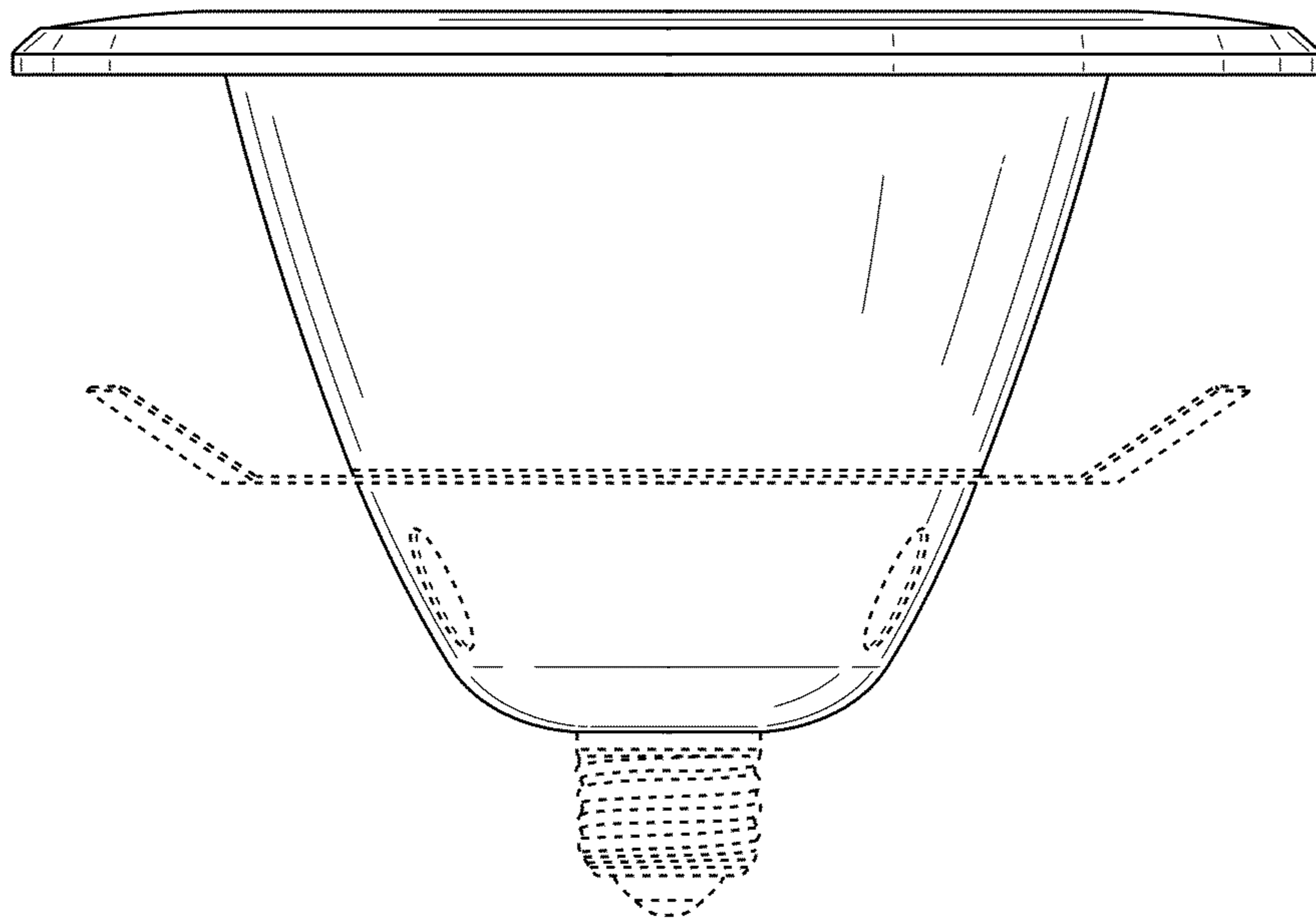


FIG. 1

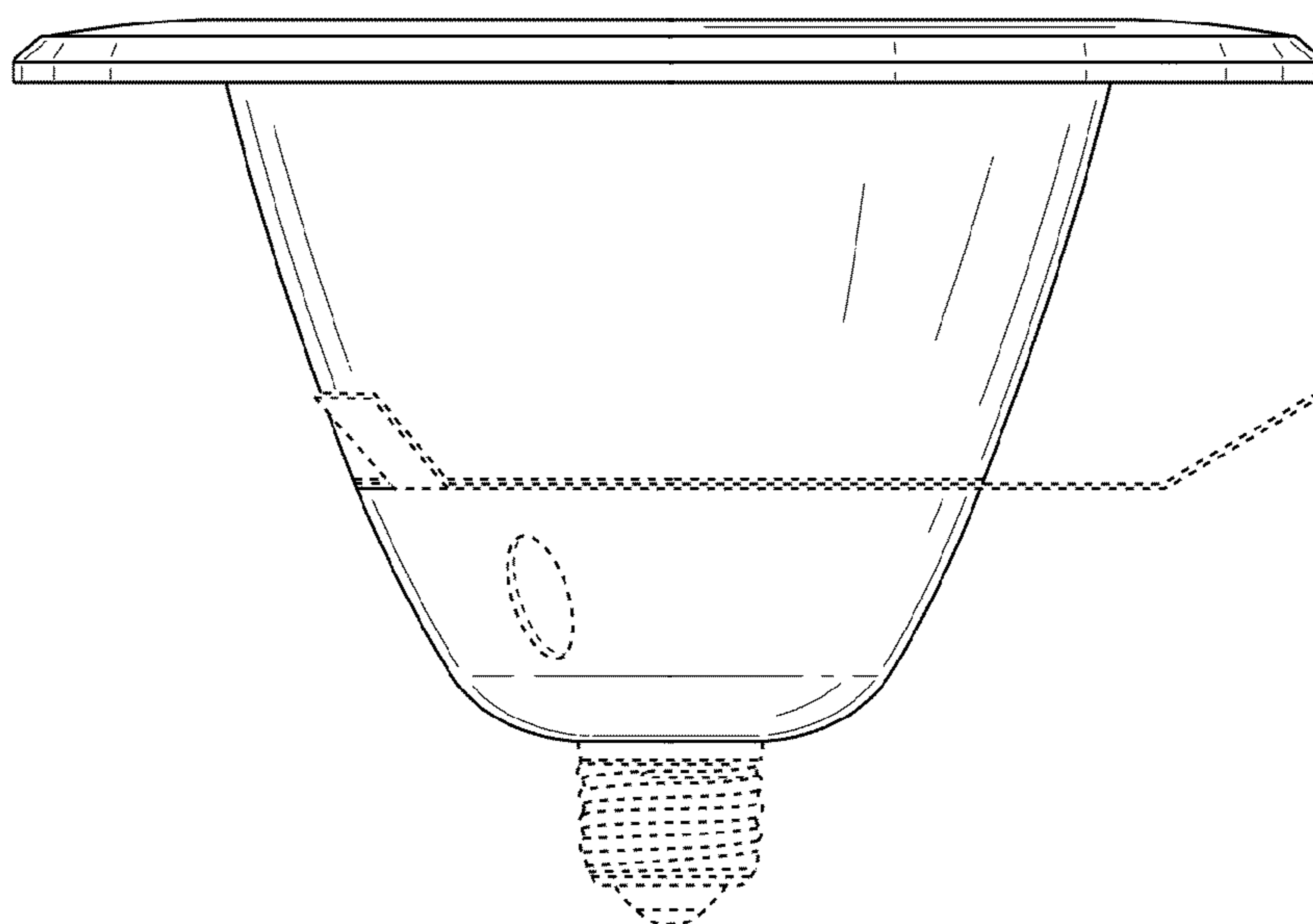


FIG. 2

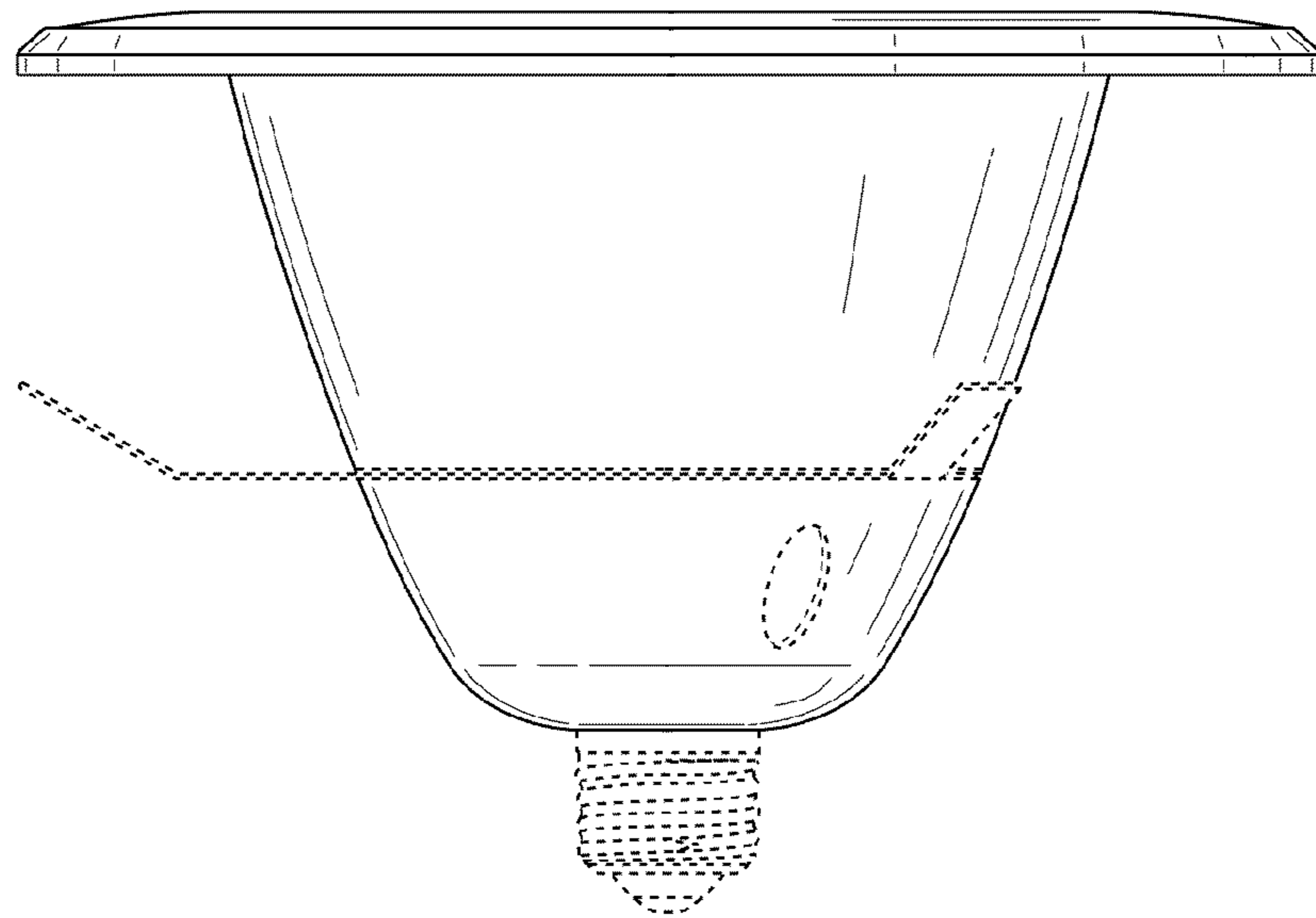


FIG. 3

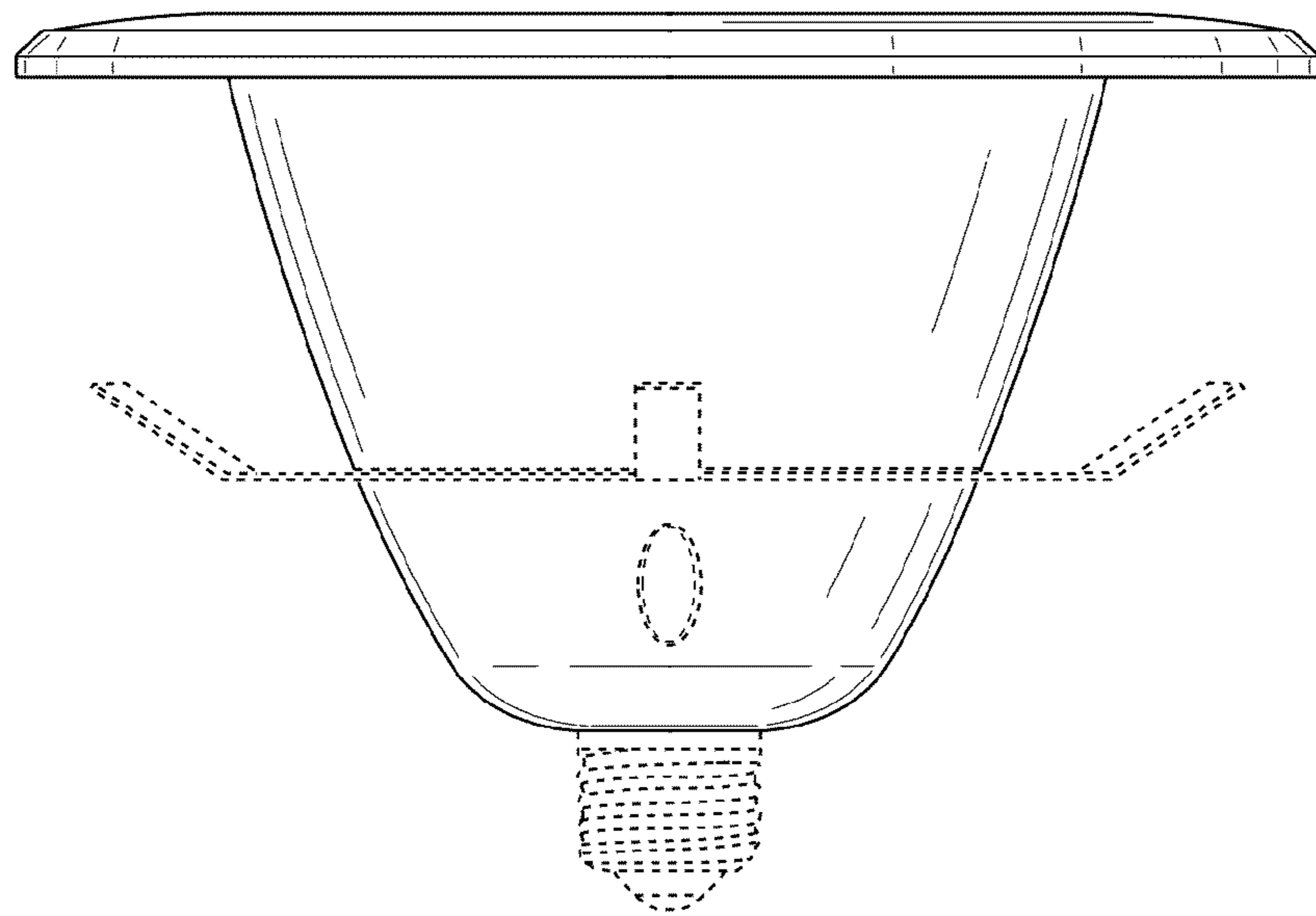


FIG. 4

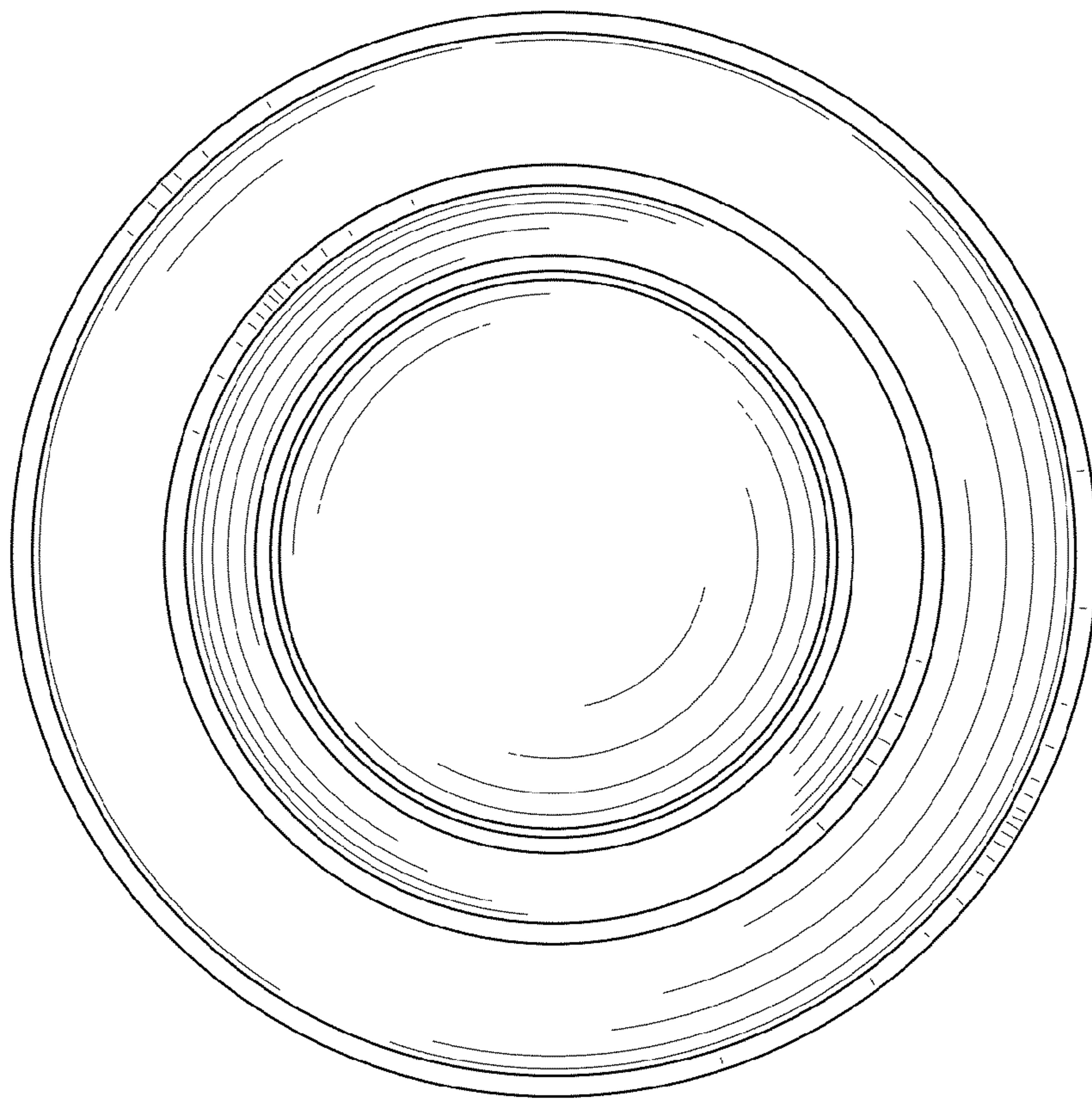


FIG. 5

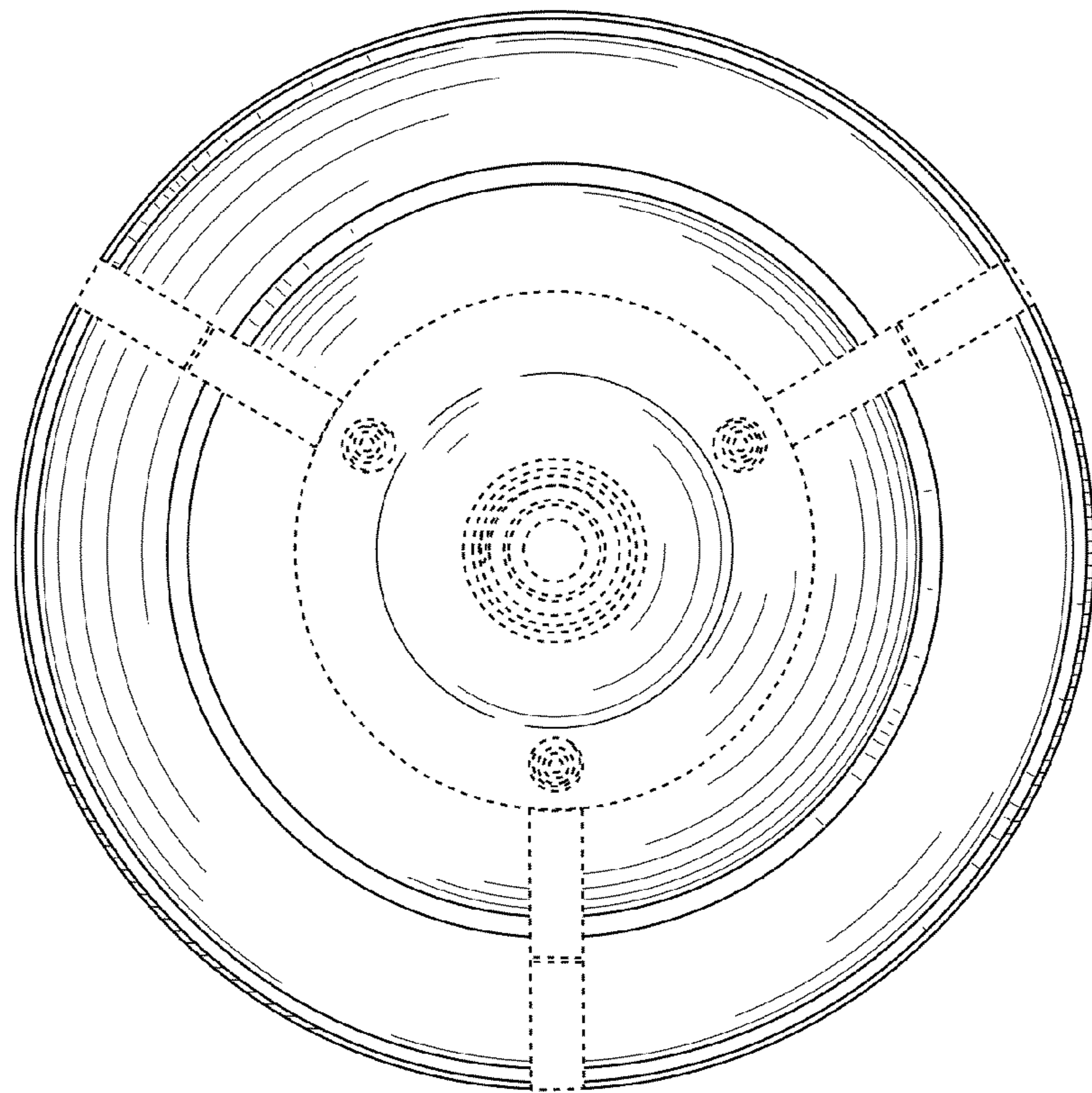


FIG. 6

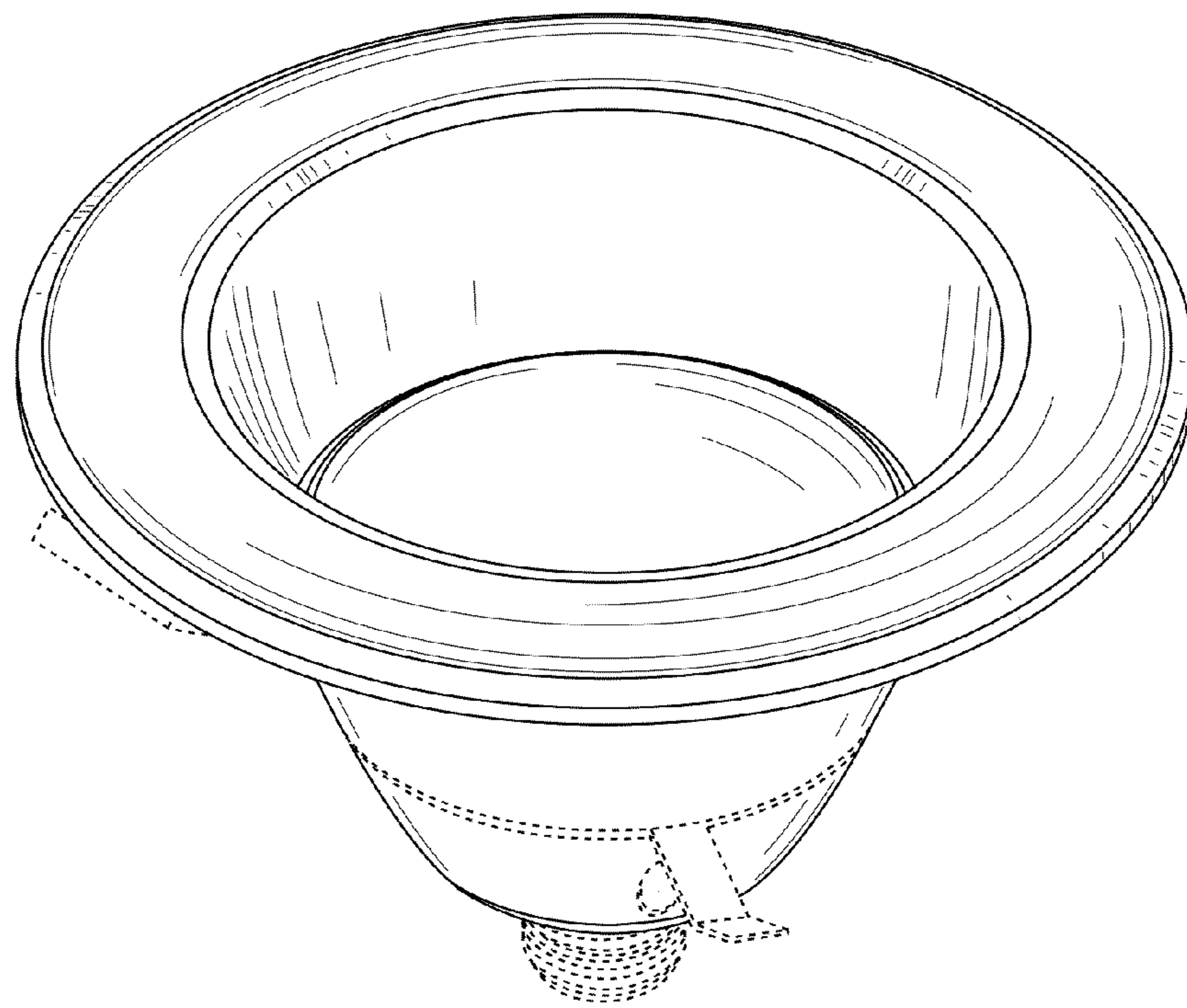


FIG. 7

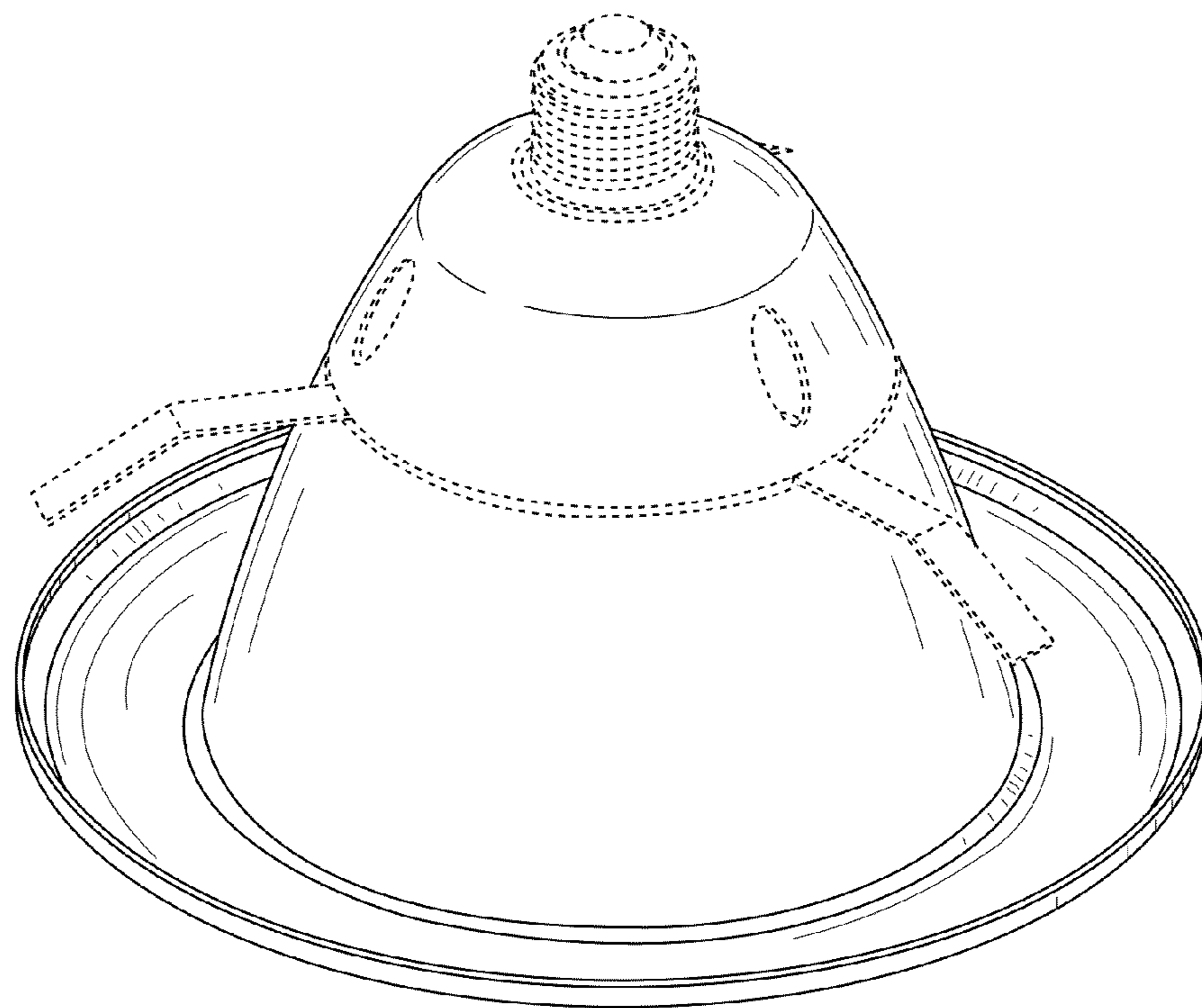


FIG. 8