



US00D701630S

(12) **United States Design Patent**
Nagashima

(10) **Patent No.:** **US D701,630 S**
(45) **Date of Patent:** **** Mar. 25, 2014**

(54) **LIGHT EMITTING DIODE LAMP**

(75) Inventor: **Yoshiaki Nagashima**, Kyoto (JP)

(73) Assignee: **Rohm Co., Ltd.**, Kyoto (JP)

(**) Term: **14 Years**

(21) Appl. No.: **29/417,669**

(22) Filed: **Apr. 6, 2012**

(30) **Foreign Application Priority Data**

Oct. 7, 2011 (JP) 2011-023109

(51) **LOC (10) Cl.** **26-04**

(52) **U.S. Cl.**
USPC **D26/3**

(58) **Field of Classification Search**
USPC D26/1-4; 313/313, 315, 316, 317, 318,
313/493; 315/52, 53, 56, 57, 58
See application file for complete search history.

(56) **References Cited**

U.S. PATENT DOCUMENTS

D477,093 S *	7/2003	Moriyama et al.	D26/3
D506,274 S *	6/2005	Moriyama et al.	D26/3
D584,429 S *	1/2009	Pei et al.	D26/3
D594,999 S *	6/2009	Uchida et al.	D26/3
D601,726 S *	10/2009	Mollaert et al.	D26/3
D610,724 S *	2/2010	Chiang et al.	D26/3
D652,968 S *	1/2012	Aguiar et al.	D26/3
D662,236 S *	6/2012	Matsushita	D26/3

* cited by examiner

Primary Examiner — Marcus Jackson

(74) *Attorney, Agent, or Firm* — Hamre, Schumann,
Mueller & Larson, P.C.

(57) **CLAIM**

The ornamental design for a light emitting diode lamp, as shown and described.

DESCRIPTION

FIG. 1 is a top plan view of a light emitting diode lamp showing my new design;
 FIG. 2 is a front plan view thereof;
 FIG. 3 is a bottom plan view thereof;
 FIG. 4 is a rear plan view thereof;
 FIG. 5 is a first side plan view thereof;
 FIG. 6 is a second side plan view thereof;
 FIG. 7 is a perspective view thereof;
 FIG. 8 is an enlarged top plan view of the left side thereof, with the portion broken away for ease of illustration only;
 FIG. 9 is an enlarged front elevational view of the left side thereof, with the portion broken away for ease of illustration only;
 FIG. 10 is an enlarged bottom plan view of the left side thereof, with the portion broken away for ease of illustration only;
 FIG. 11 is an enlarged rear elevational view of the left side thereof, with the portion broken away for ease of illustration only;
 FIG. 12 is an enlarged side elevational view of the left side thereof, with the portion broken away for ease of illustration only;
 FIG. 13 is an enlarged perspective view of the left side thereof, with the portion broken away for ease of illustration only;
 FIG. 14 is an enlarged top plan view of the right side thereof, with the portion broken away for ease of illustration only;
 FIG. 15 is an enlarged front elevational view of the right side thereof, with the portion broken away for ease of illustration only;
 FIG. 16 is an enlarged bottom plan view of the right side thereof, with the portion broken away for ease of illustration only;
 FIG. 17 is an enlarged rear elevational view of the right side thereof, with the portion broken away for ease of illustration only; and,
 FIG. 18 is an enlarged side elevational view of the right side thereof, with the portion broken away for ease of illustration only.

1 Claim, 5 Drawing Sheets

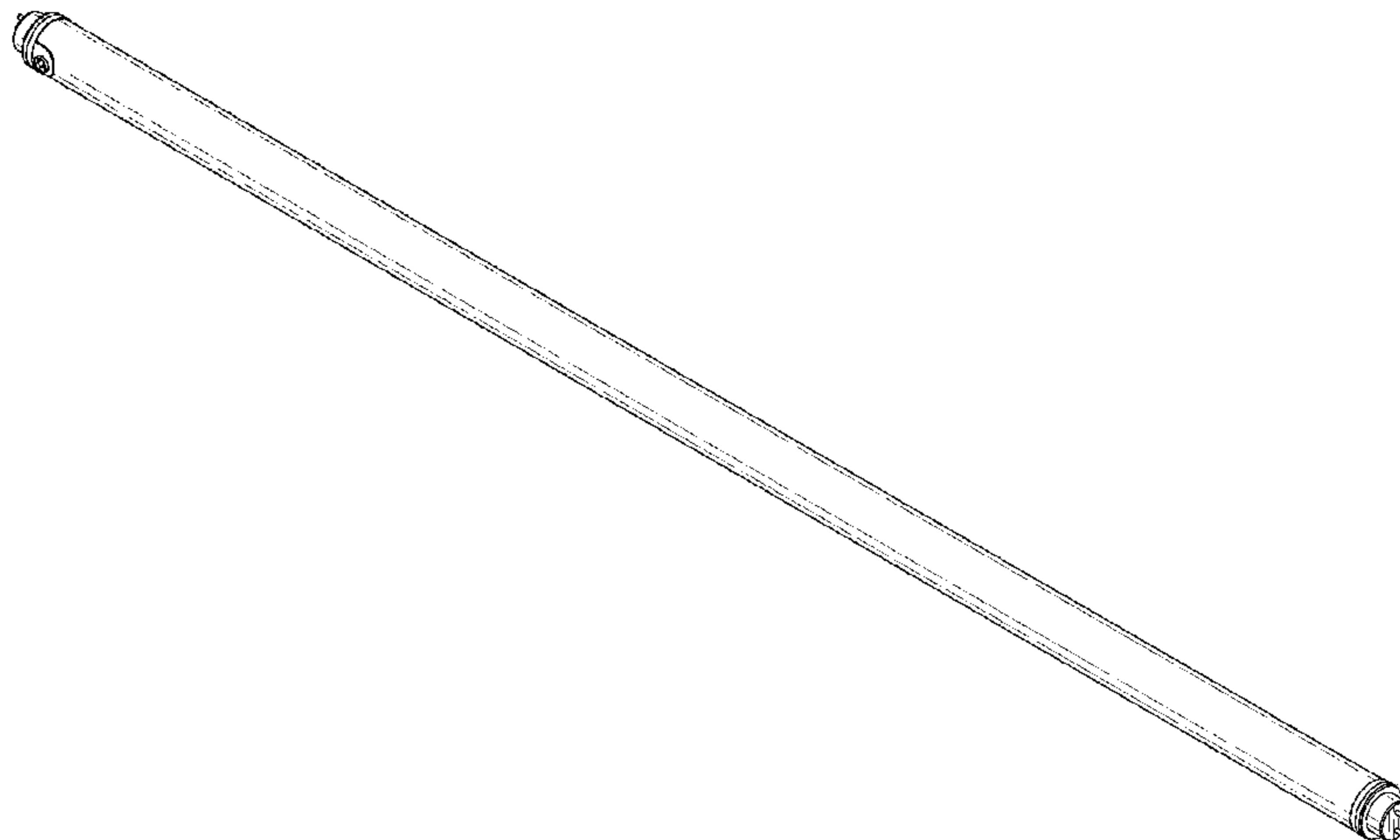


Fig. 1

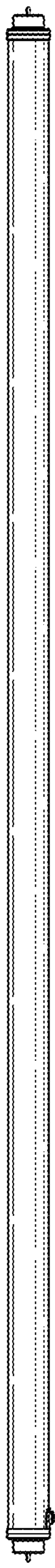


Fig. 2

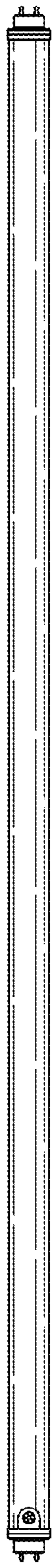


Fig. 3

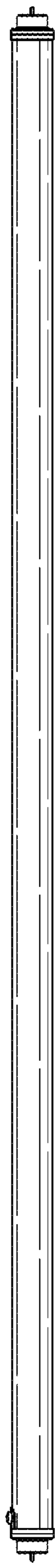


Fig. 4



Fig. 5



Fig. 6



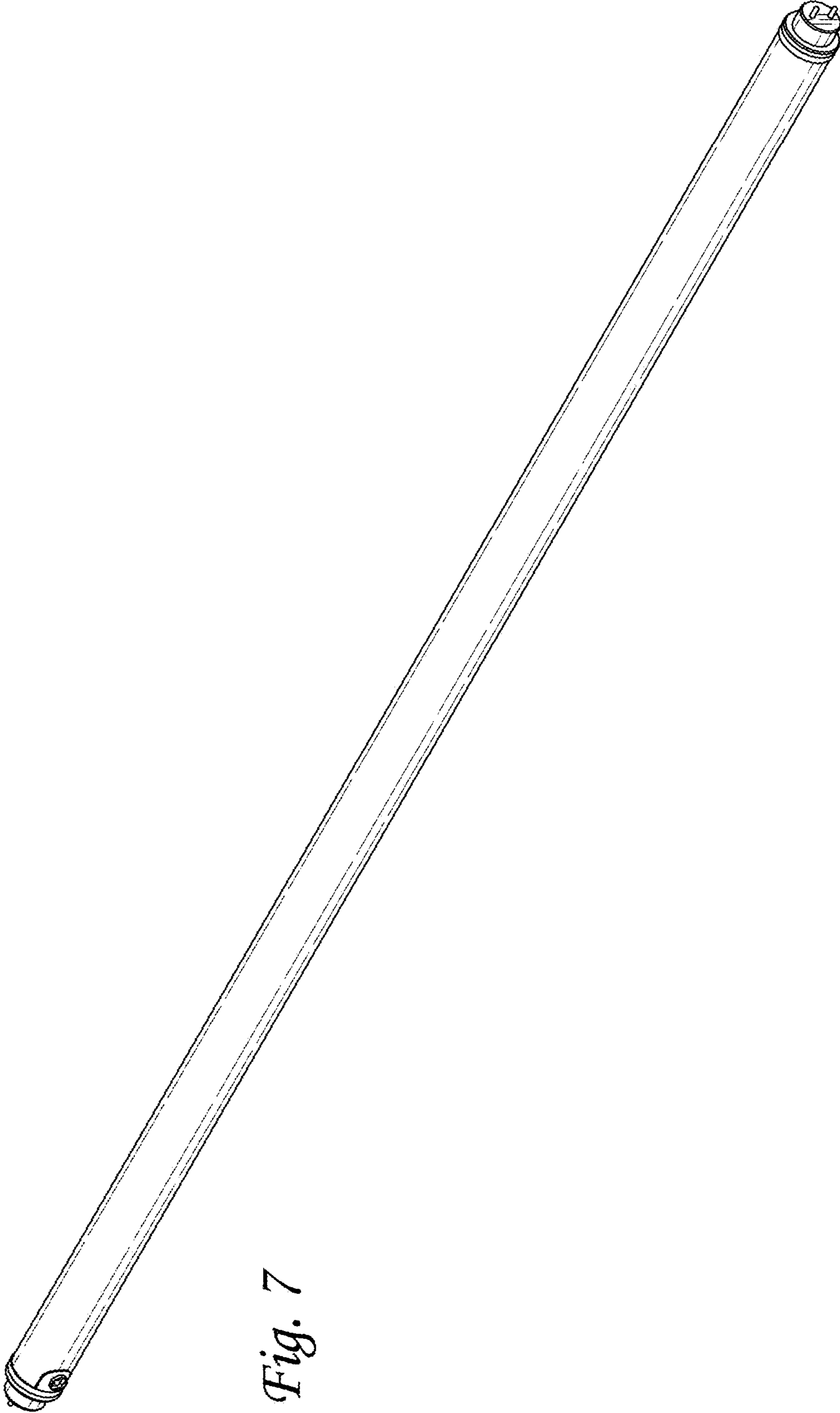


Fig. 7

Fig. 8

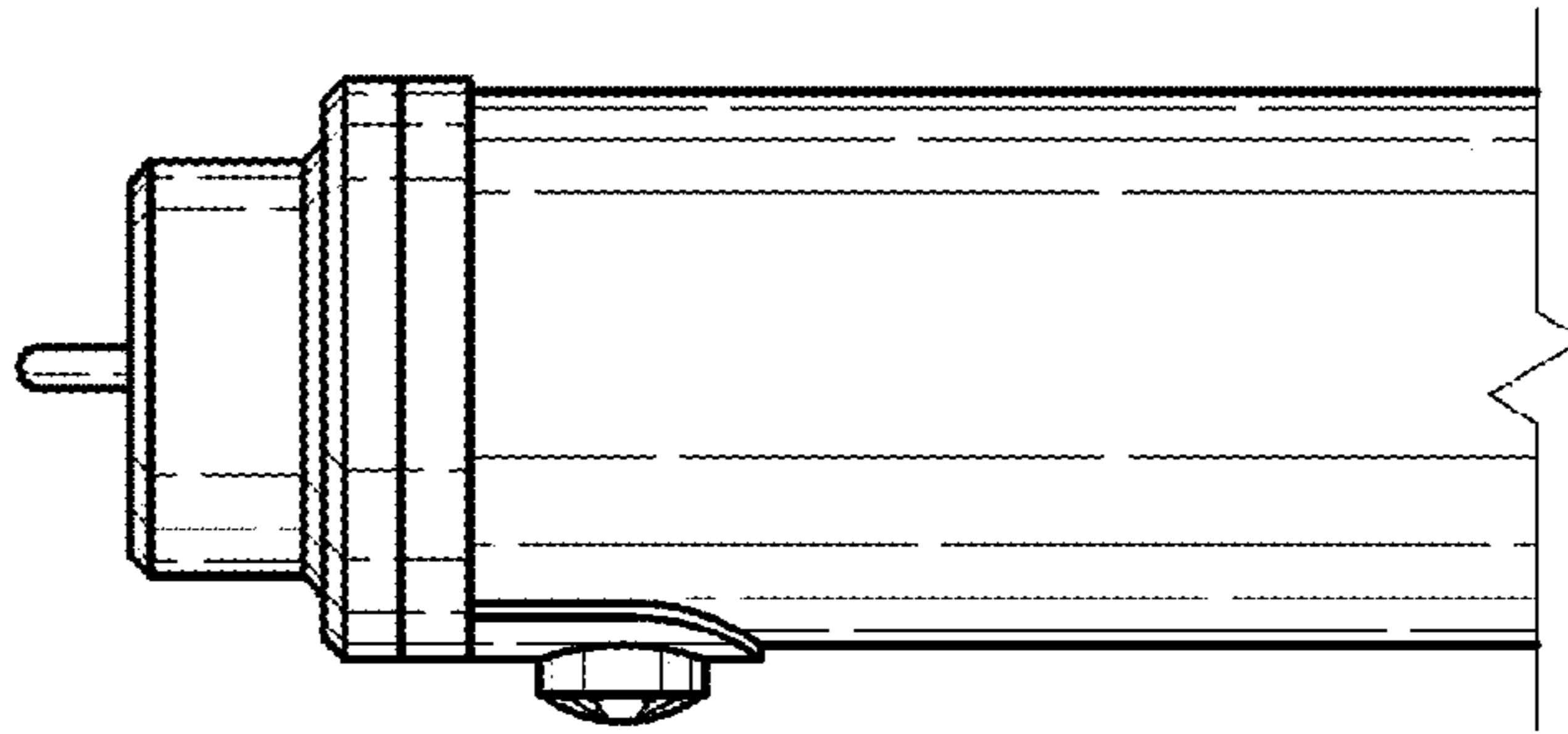


Fig. 9

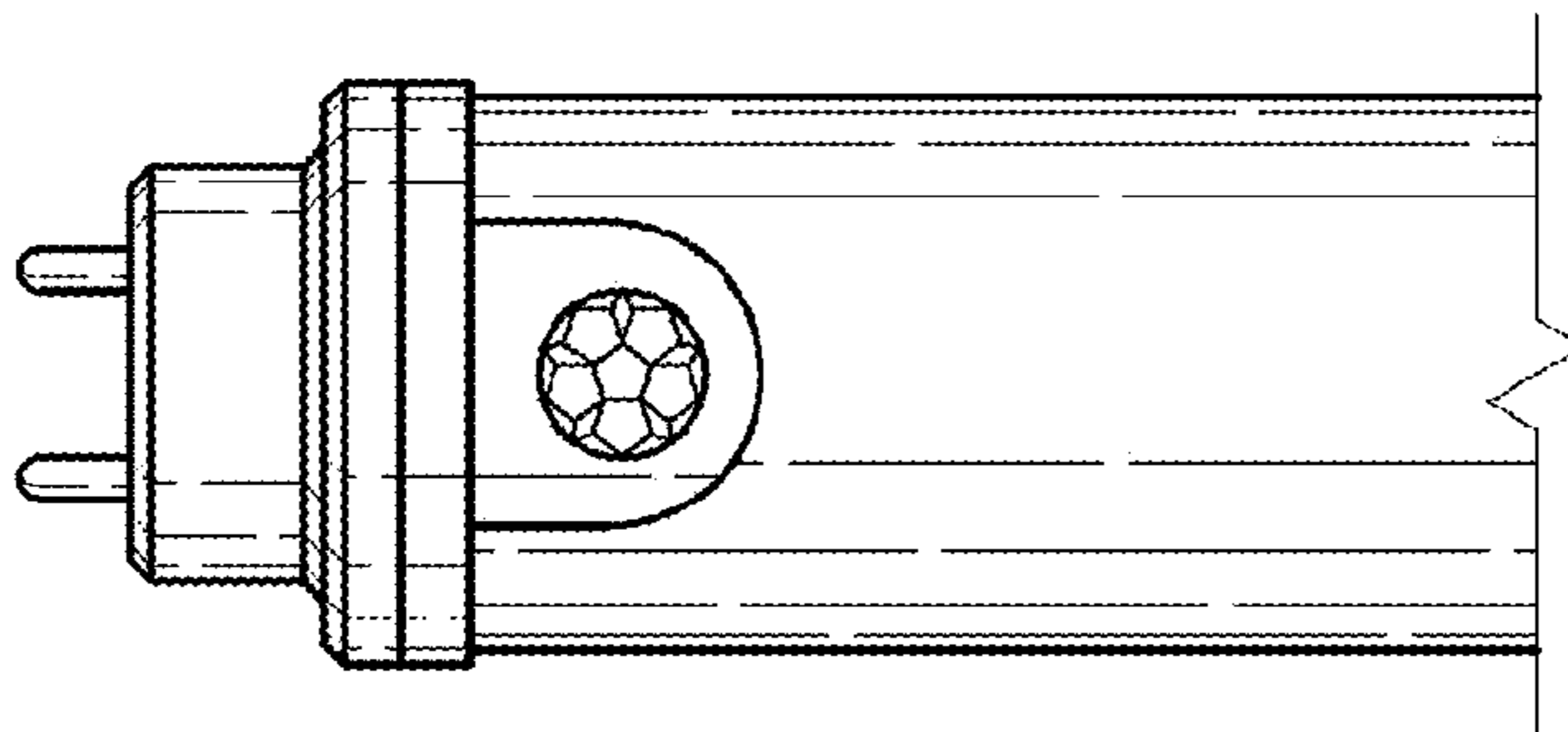


Fig. 10

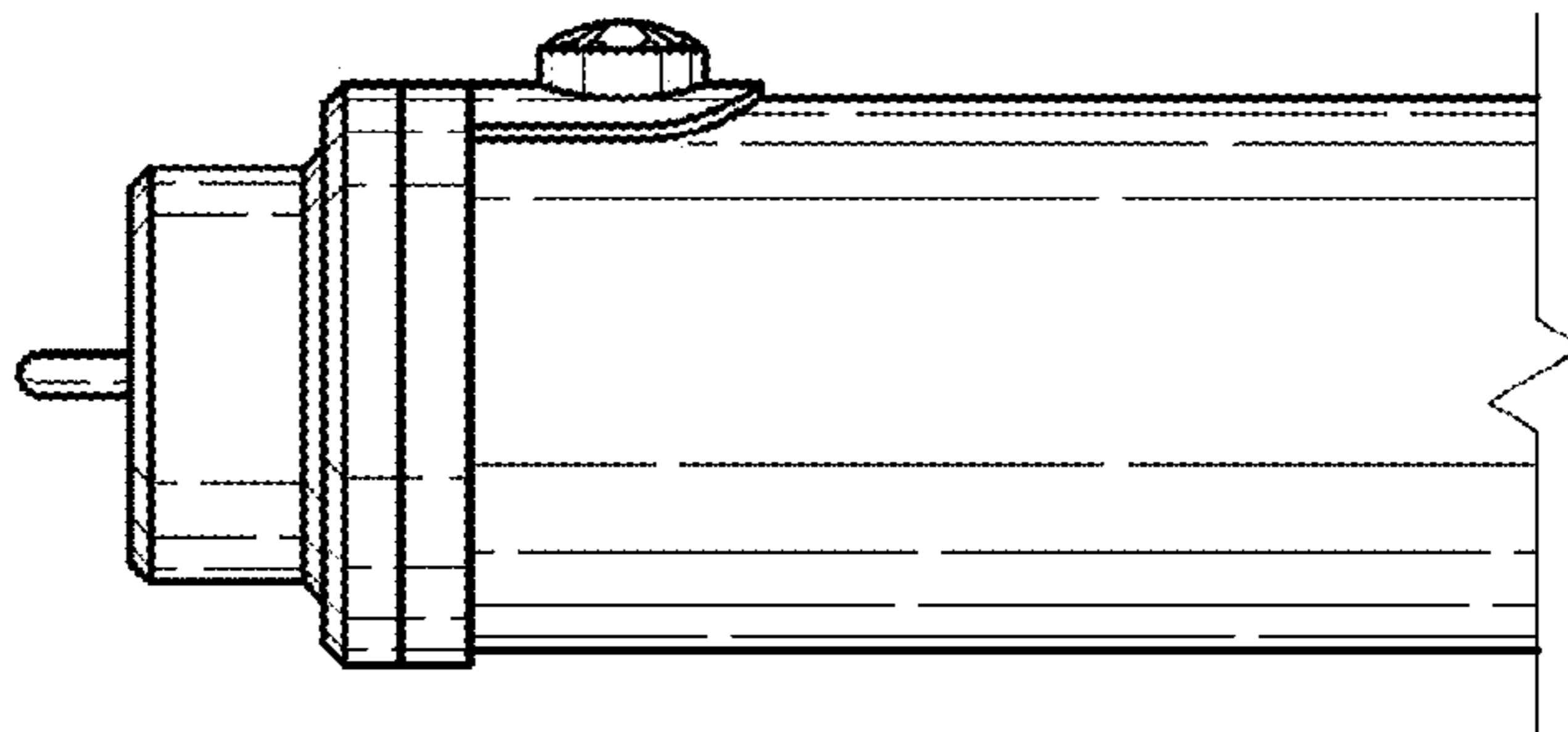


Fig. 11

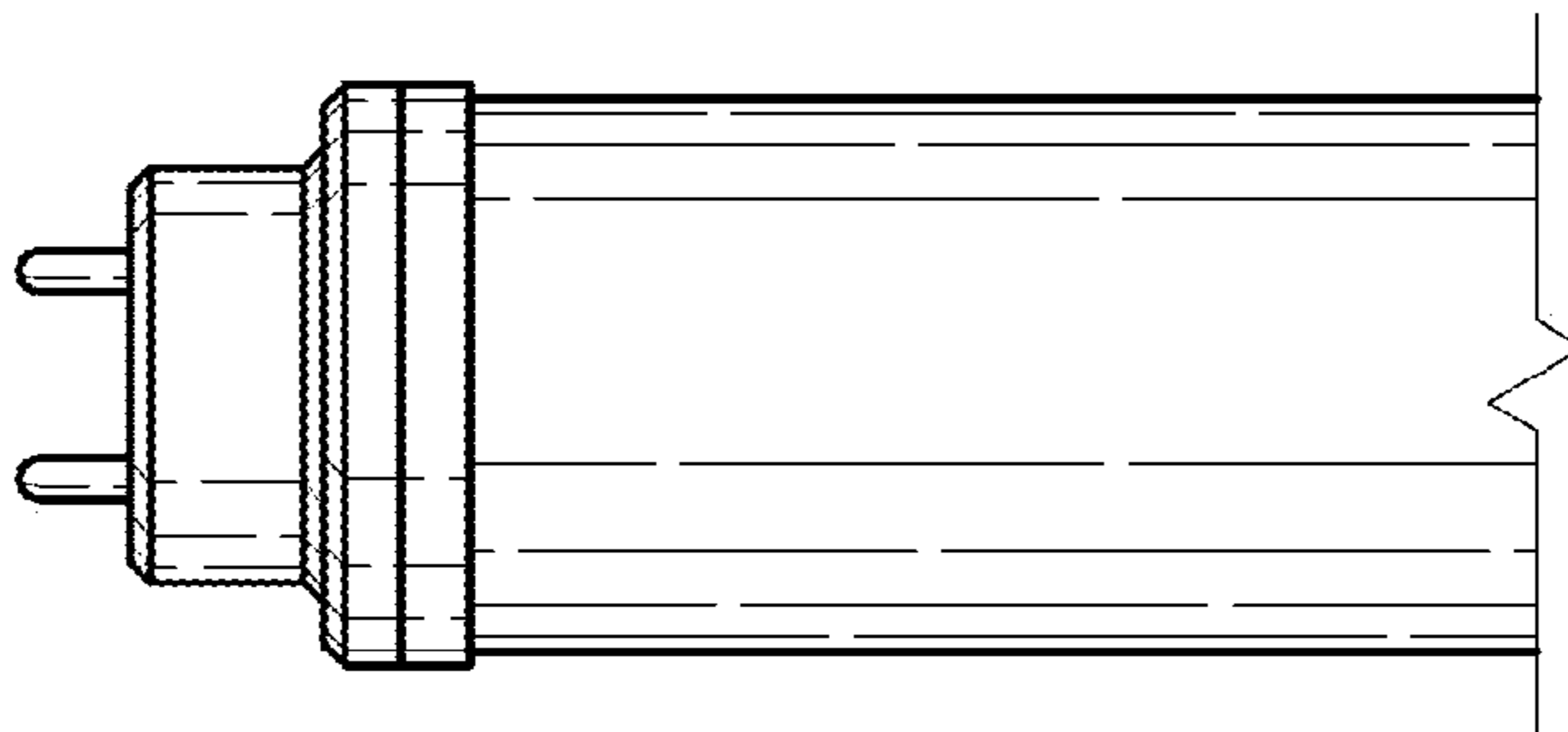


Fig. 12

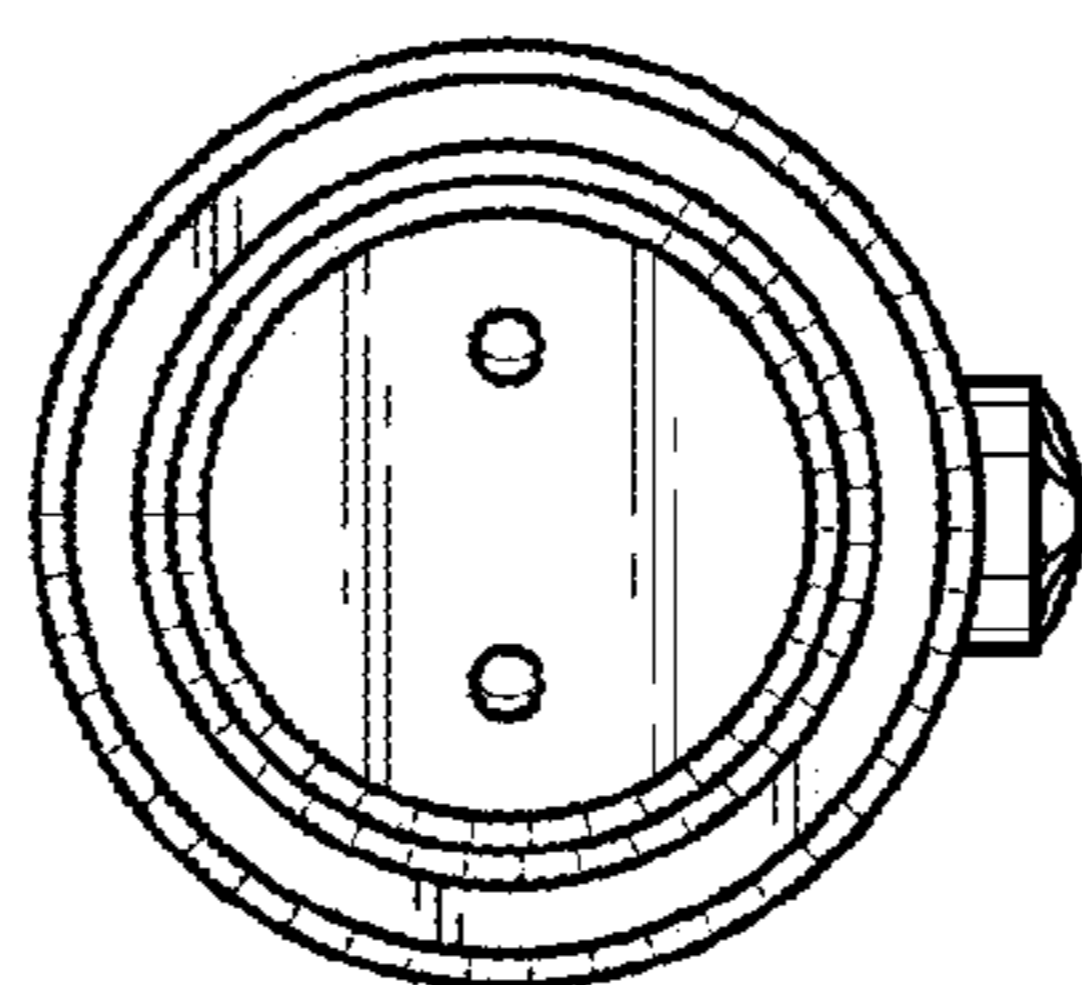


Fig. 13

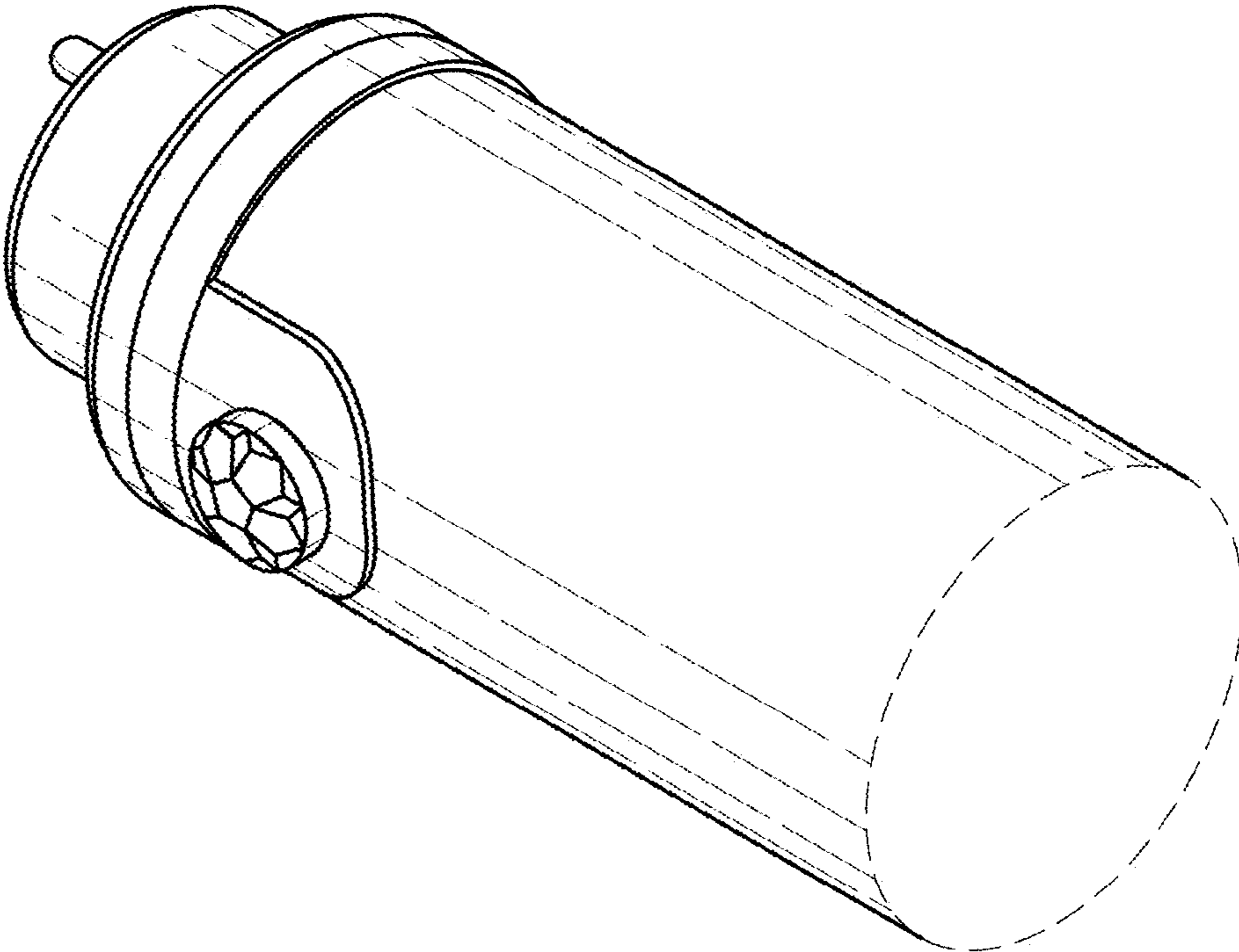


Fig. 14

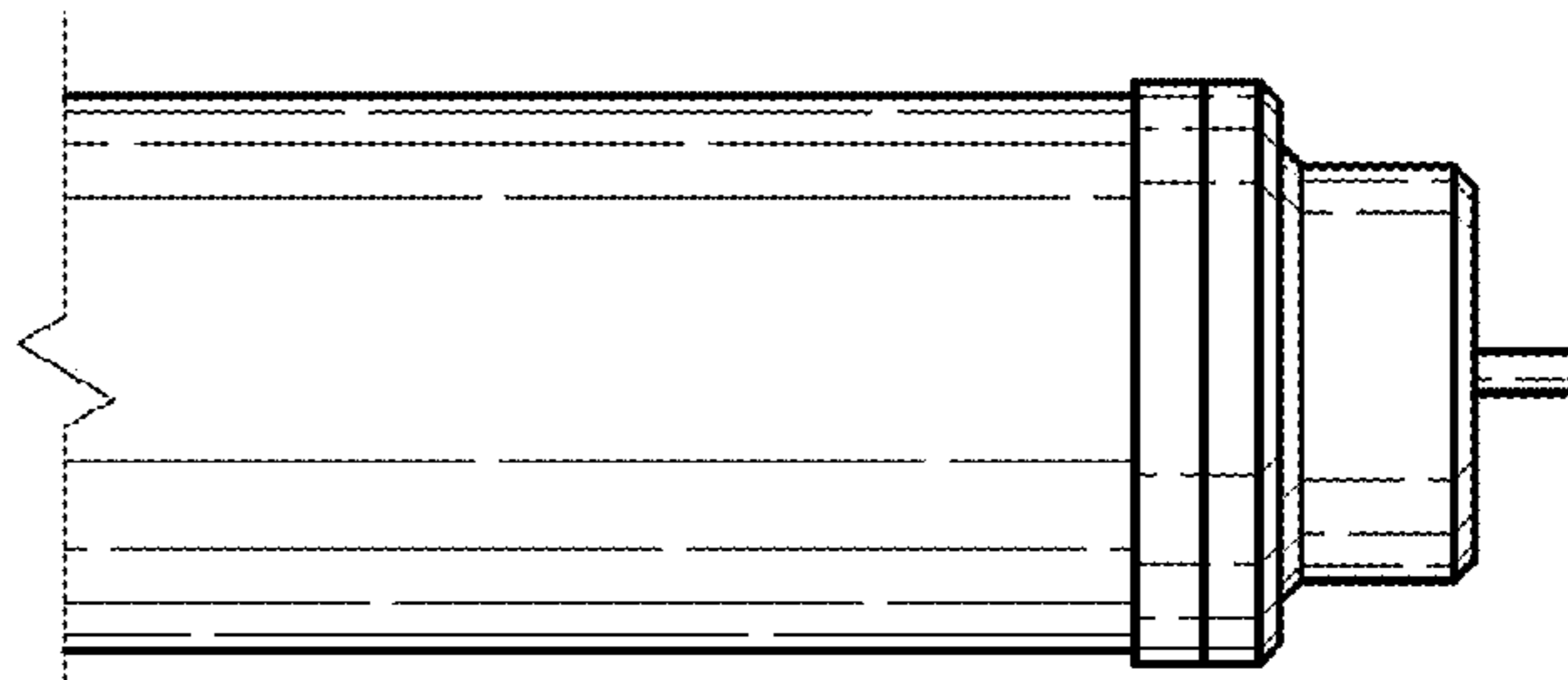


Fig. 15

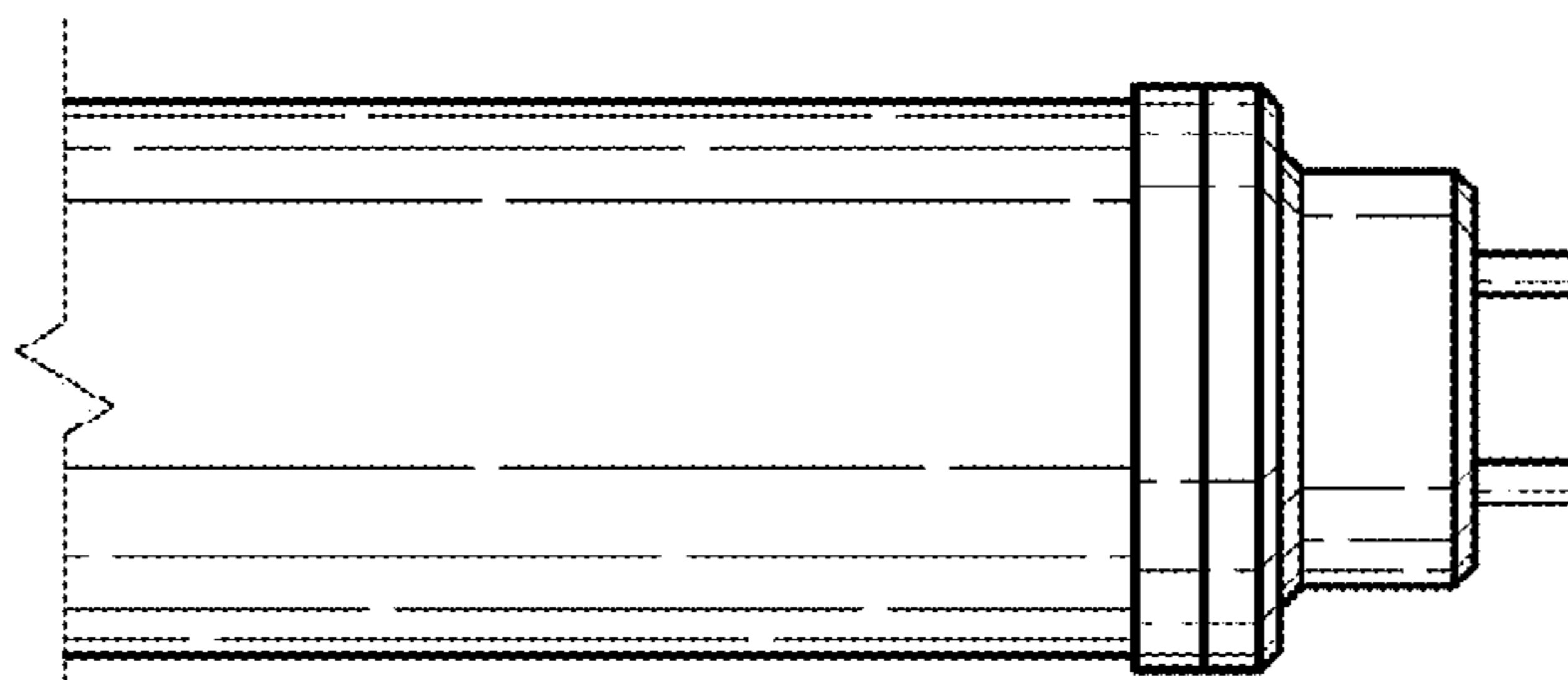


Fig. 16

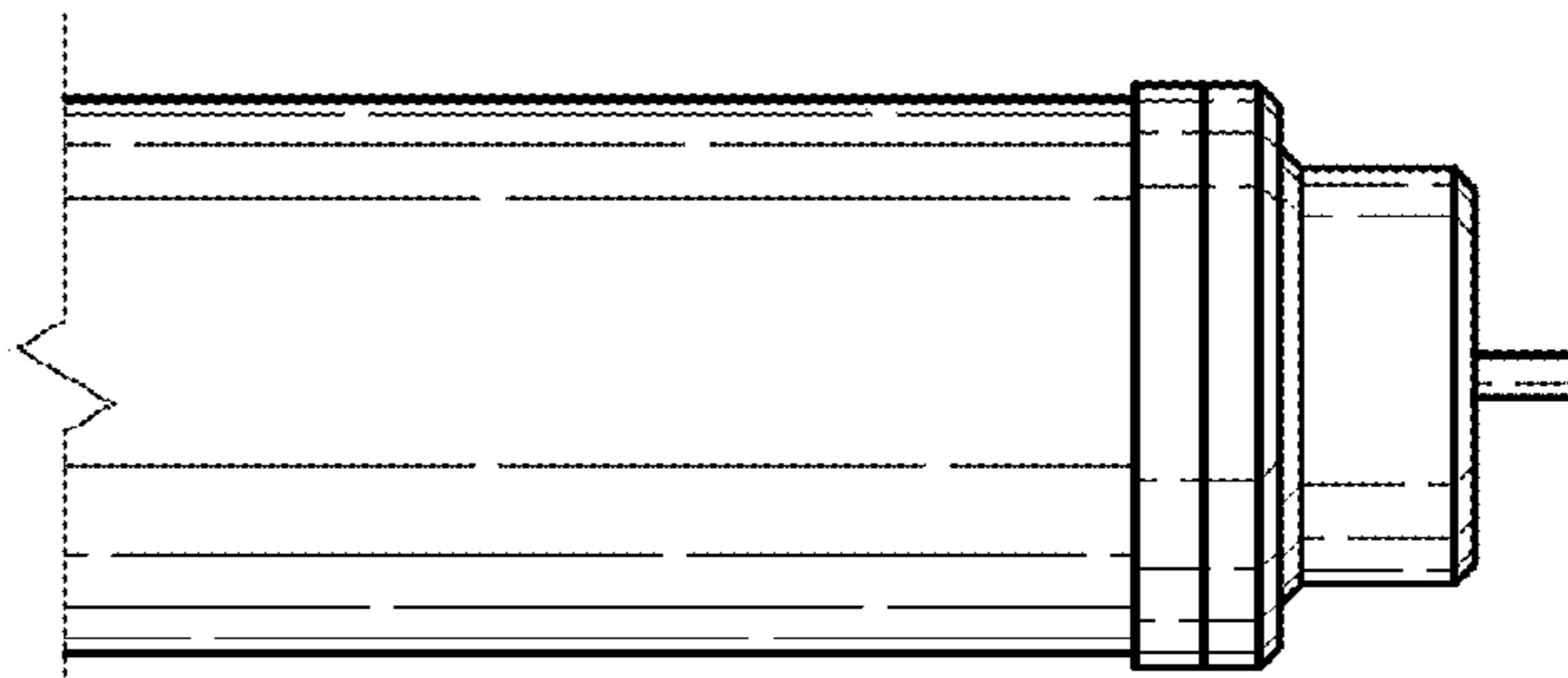


Fig. 17

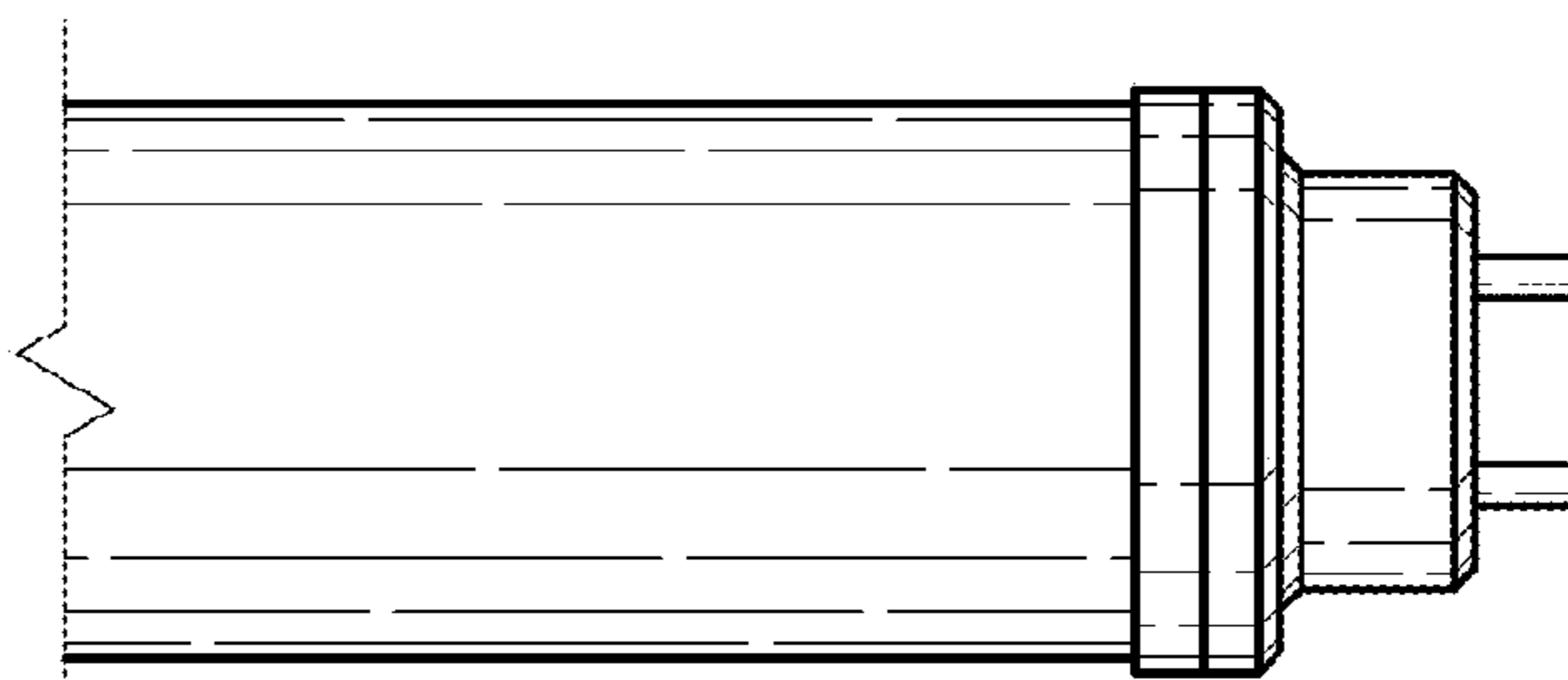


Fig. 18

