

US00D701629S

(12) **United States Design Patent**  
**Steadly**

(10) **Patent No.:** **US D701,629 S**  
(45) **Date of Patent:** **\*\* Mar. 25, 2014**

(54) **LED ILLUMINATION UNIT**  
(75) Inventor: **James Steedly**, Menifee, CA (US)  
(73) Assignee: **Maxlite, Inc.**, West Caldwell, NJ (US)  
(\*\*) Term: **14 Years**  
(21) Appl. No.: **29/414,710**  
(22) Filed: **Mar. 2, 2012**  
(51) **LOC (10) Cl.** ..... **26-04**  
(52) **U.S. Cl.**  
USPC ..... **D26/2**  
(58) **Field of Classification Search**  
USPC ..... D26/1-4; 313/313, 315, 316, 317, 318,  
313/493; 315/52, 53, 56, 57, 58  
See application file for complete search history.

D631,573 S \* 1/2011 Yamamoto et al. .... D26/2  
7,866,850 B2 1/2011 Alexander et al.  
7,874,702 B2 1/2011 Shuai et al.  
D685,505 S \* 7/2013 Yamamoto et al. .... D26/2  
2009/0103296 A1 4/2009 Harbers et al.  
2010/0226139 A1 9/2010 Lynch et al.

**OTHER PUBLICATIONS**

Transcend—Solid State Lighting, Puck Style LED available at www.molex.com, May 22, 2009.

\* cited by examiner

*Primary Examiner* — Marcus Jackson  
(74) *Attorney, Agent, or Firm* — Vedder Price P.C.

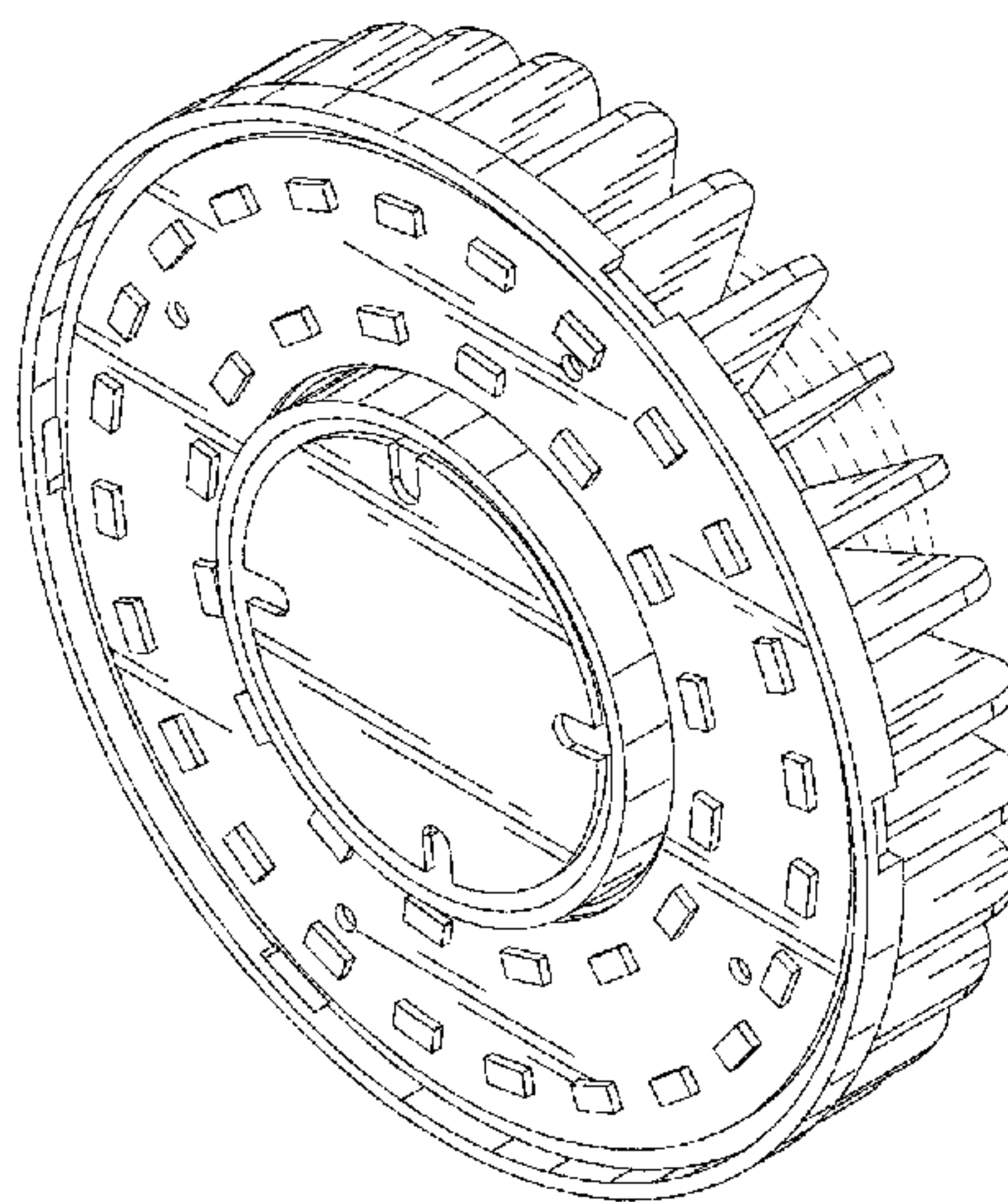
(57) **CLAIM**  
The ornamental design of the LED illumination unit, as shown and described.

**DESCRIPTION**

FIG. 1 is a front perspective view of a first embodiment of a LED illumination unit;  
FIG. 2 is a rear perspective view of the LED illumination unit of FIG. 1;  
FIG. 3 is a front view of the LED illumination unit of FIG. 1;  
FIG. 4 is a rear view of the LED illumination unit of FIG. 1;  
FIG. 5 is first side view of the LED illumination unit of FIG. 1;  
FIG. 6 is a second side view of the LED illumination unit of FIG. 1;  
FIG. 7 is a top view of the LED illumination unit of FIG. 1; and,  
FIG. 8 is a bottom view of the LED illumination unit of FIG. 1.  
The broken line portions of the drawings are for illustrative purposes only and form no part of the claimed design.

(56) **References Cited**  
U.S. PATENT DOCUMENTS  
6,787,999 B2 9/2004 Stimac et al.  
D497,439 S 10/2004 Shaw et al.  
6,874,911 B2 4/2005 Yoneda  
7,175,306 B2 2/2007 Pan  
D539,935 S 4/2007 Mama  
D566,323 S 4/2008 Piegras et al.  
7,458,706 B1 12/2008 Liu et al.  
7,482,532 B2 1/2009 Lu et al.  
7,607,802 B2 10/2009 Kang et al.  
7,663,229 B2 2/2010 Lu et al.  
7,690,801 B2 4/2010 Amphlett  
7,701,055 B2 4/2010 Wu et al.  
7,703,951 B2 4/2010 Piegras et al.  
7,766,518 B2 8/2010 Piegras et al.  
D625,030 S \* 10/2010 Yamamoto et al. .... D26/2  
D627,492 S \* 11/2010 Yamamoto et al. .... D26/2  
D628,317 S \* 11/2010 Yamamoto et al. .... D26/2  
D628,722 S \* 12/2010 Yamamoto et al. .... D26/2

**1 Claim, 4 Drawing Sheets**



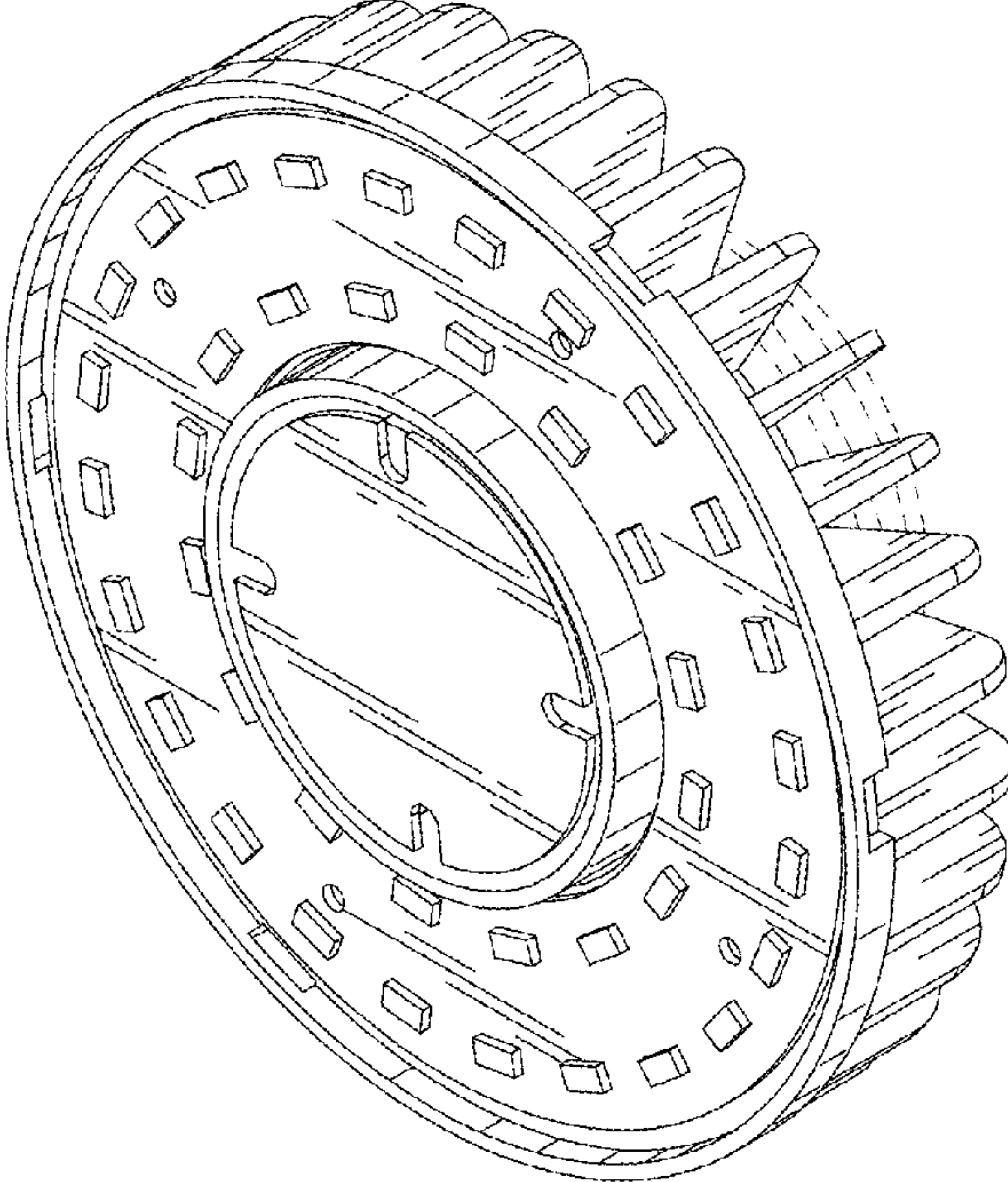


FIG. 1

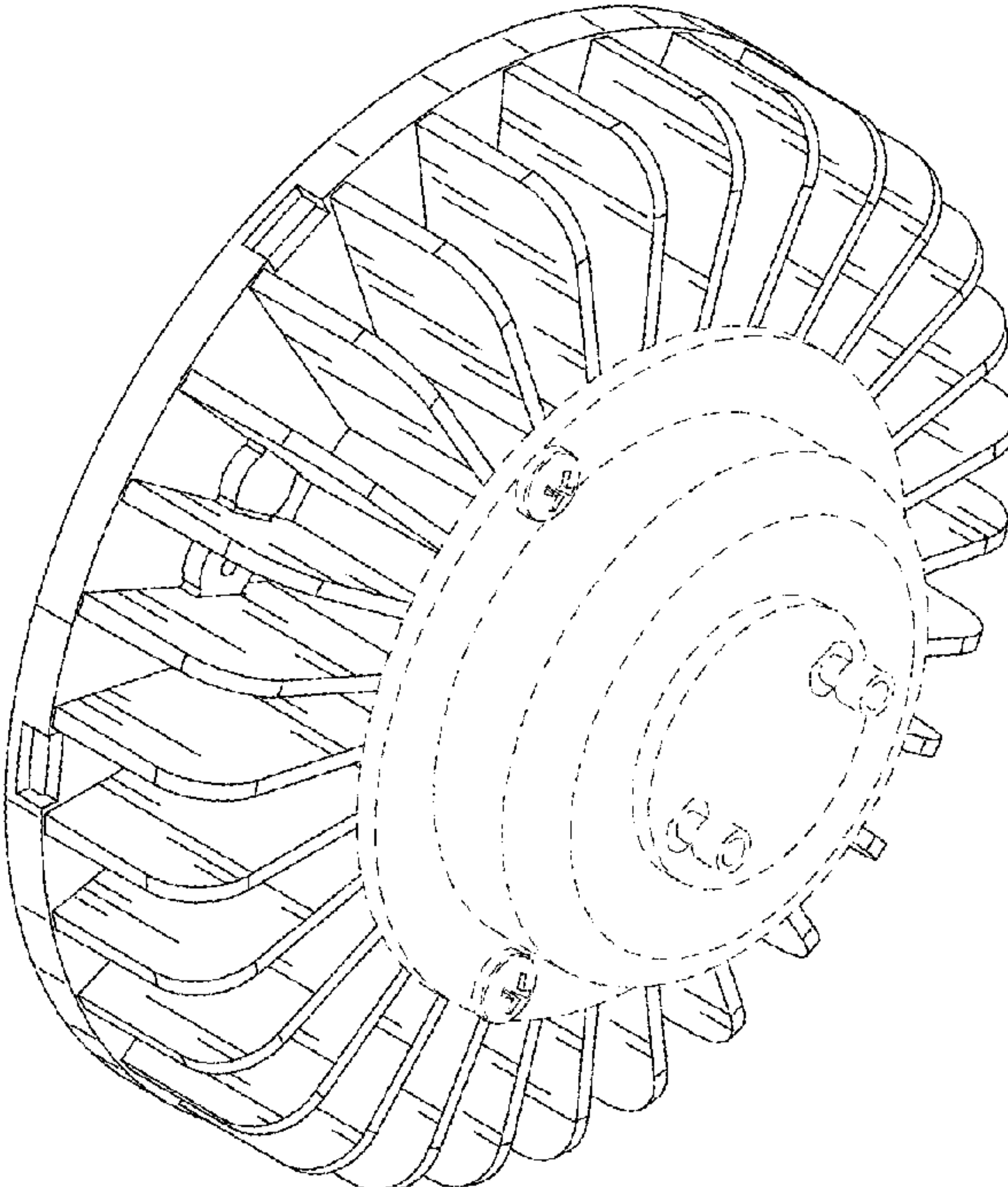


FIG. 2



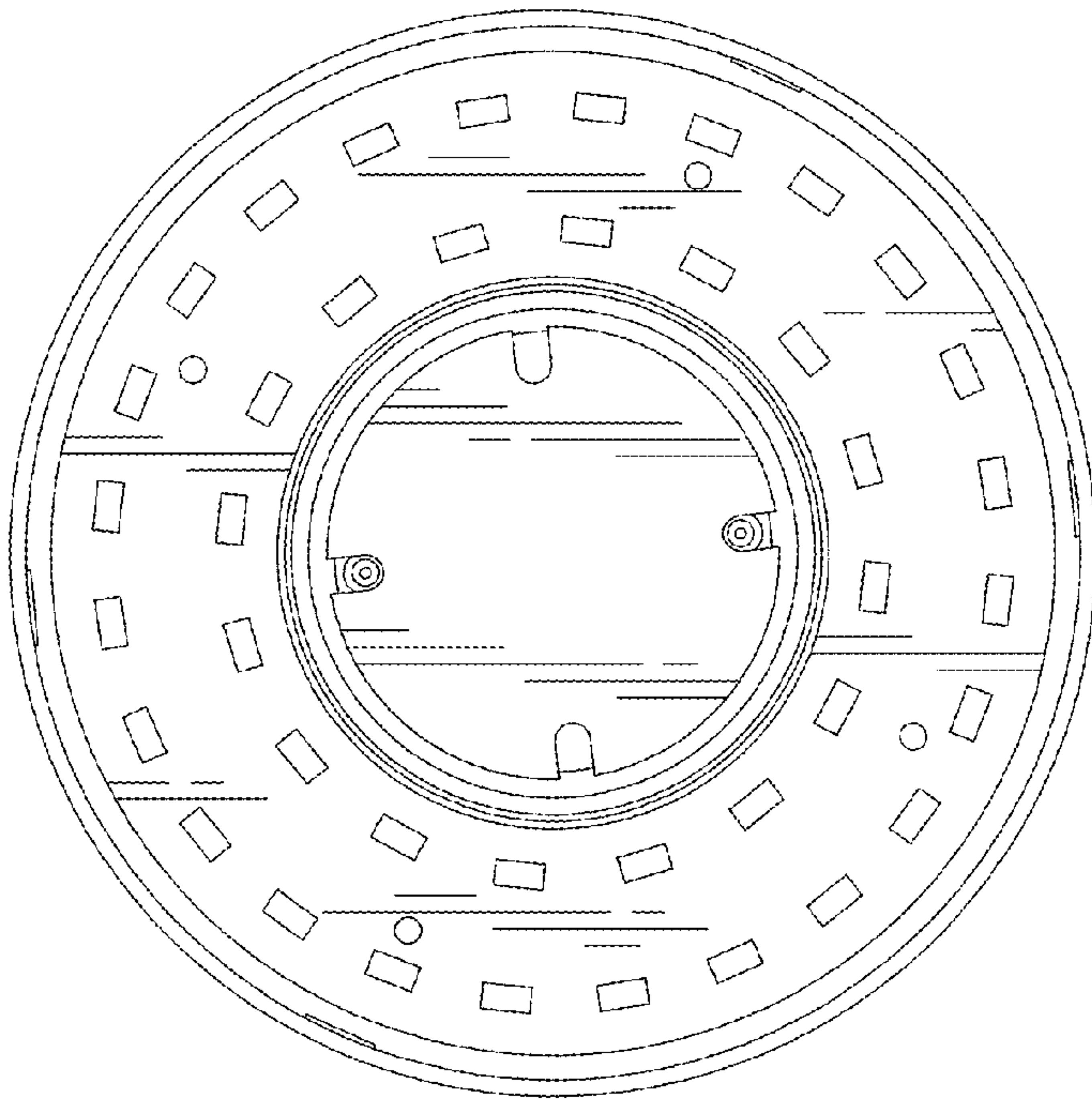


FIG. 3

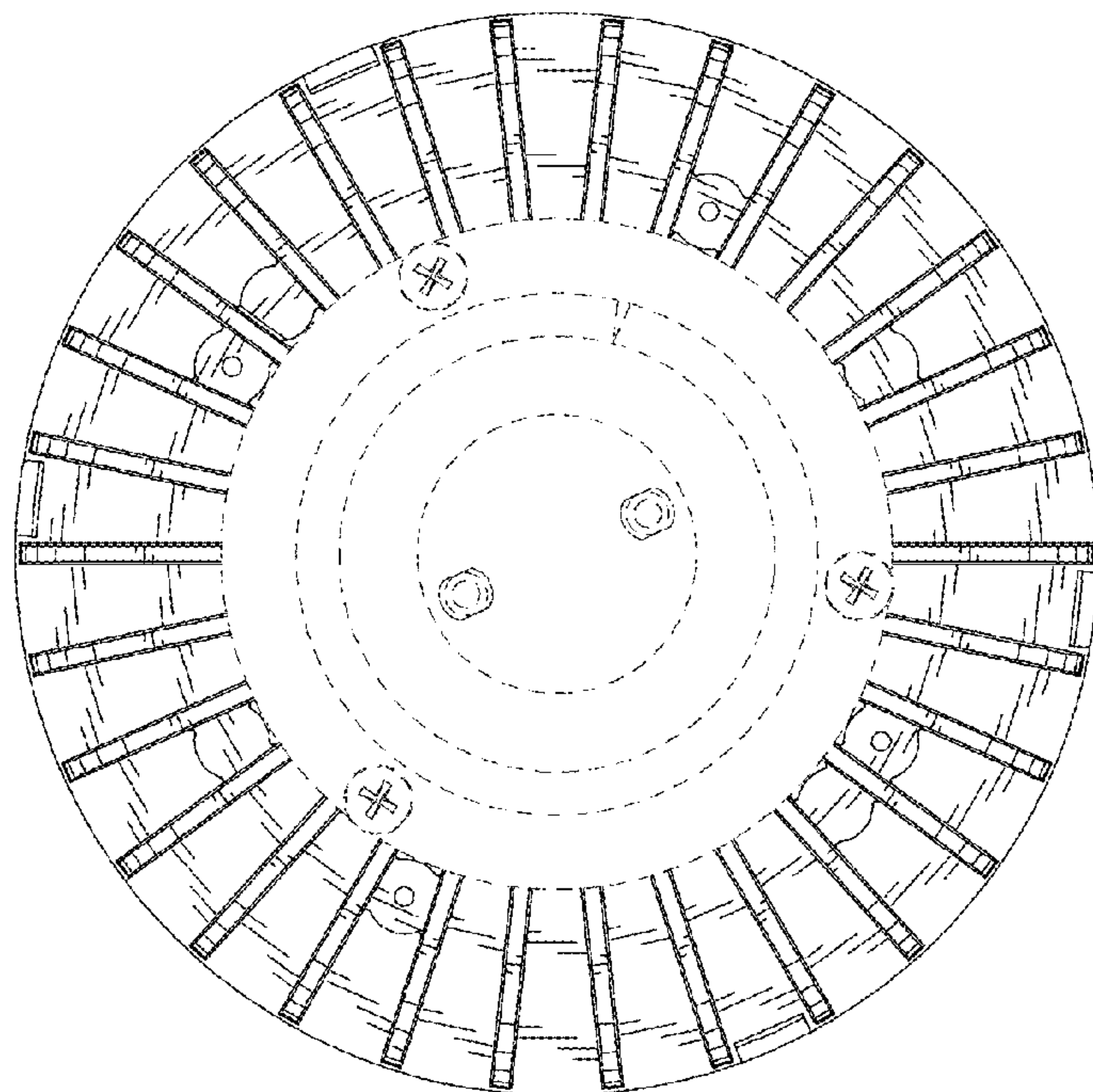


FIG. 4

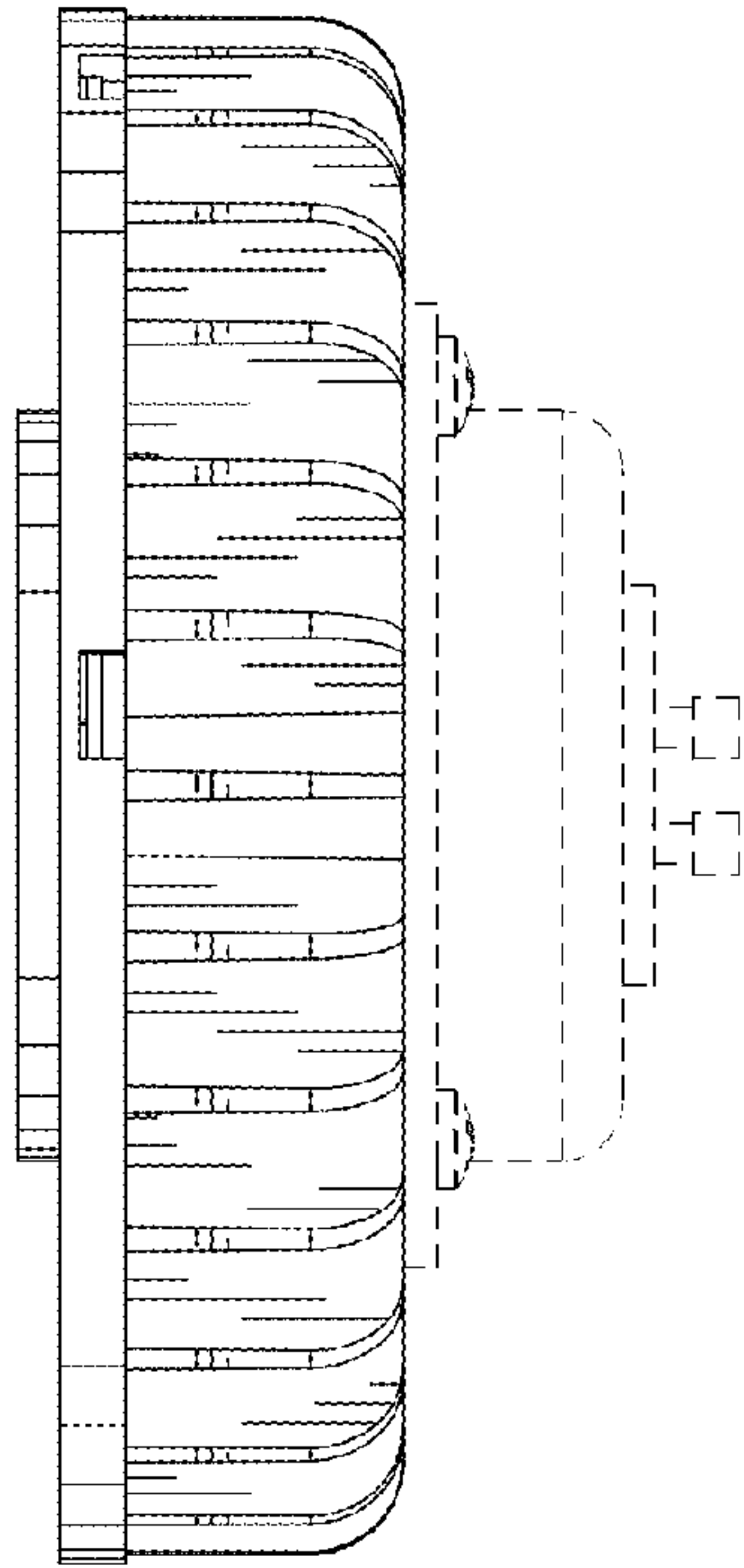


FIG. 5

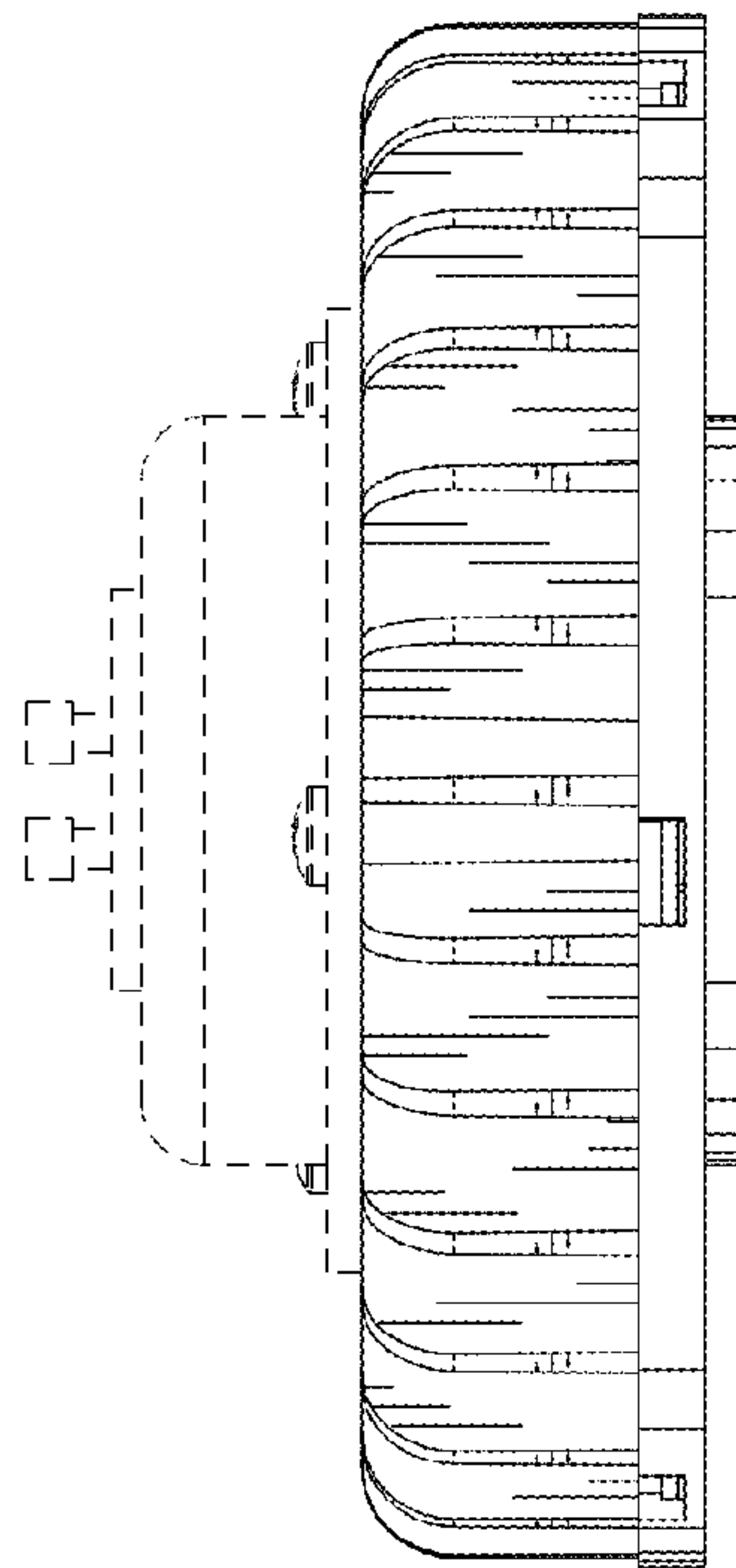


FIG. 6

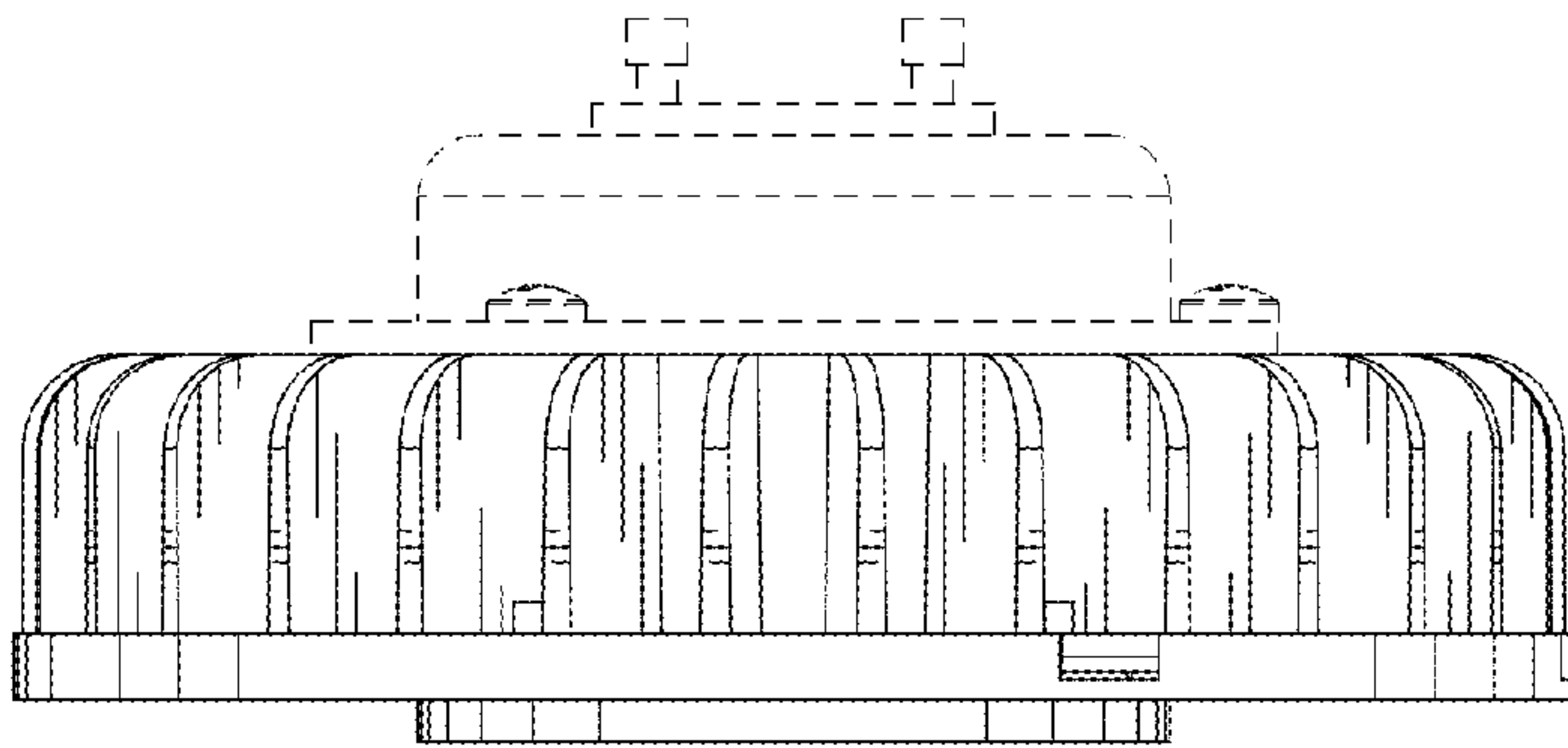


FIG. 7

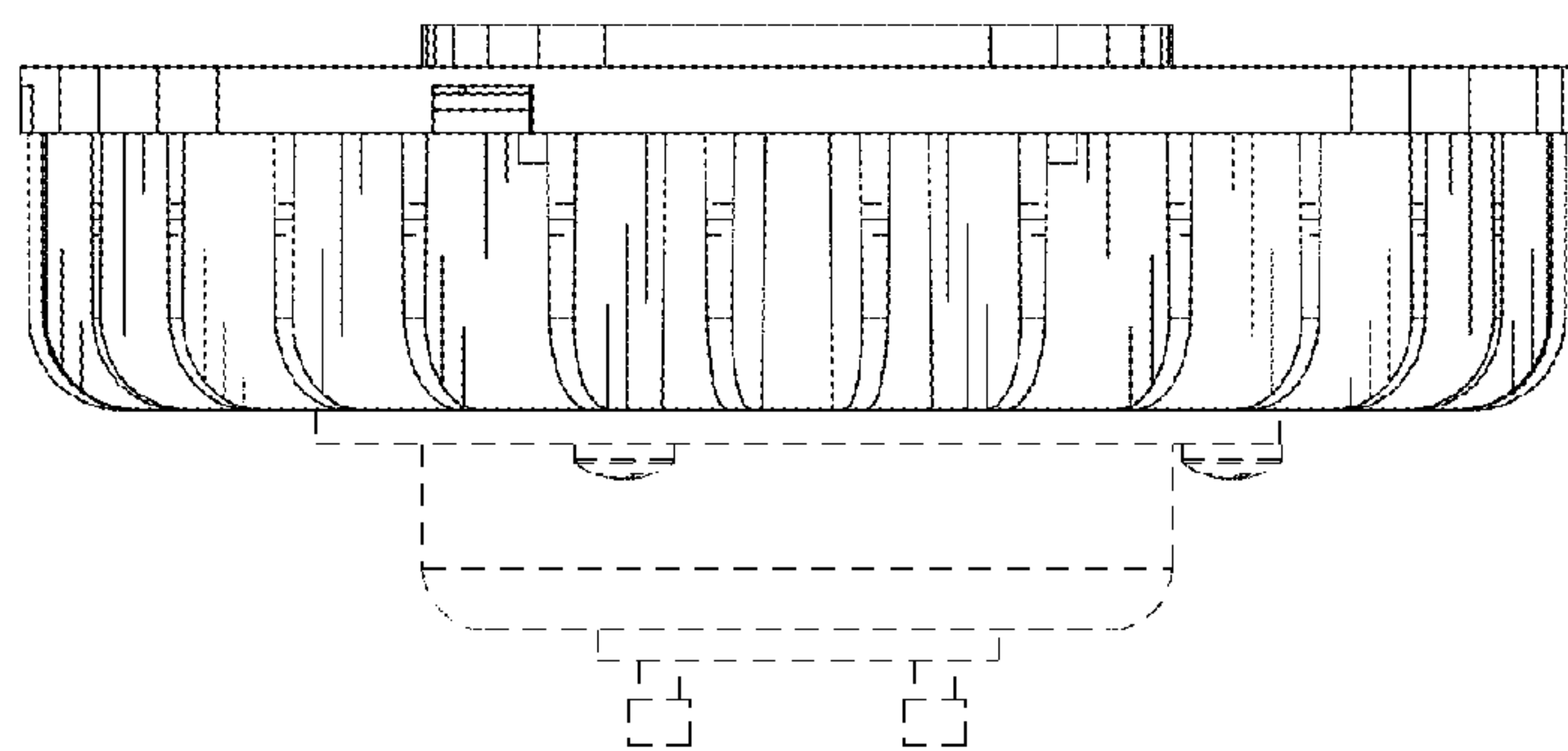


FIG. 8