



US00D701628S

(12) **United States Design Patent**
Steadly

(10) **Patent No.:** **US D701,628 S**
(45) **Date of Patent:** **** Mar. 25, 2014**

- (54) **LED ILLUMINATION UNIT**
- (75) Inventor: **James Steedly**, Menifee, CA (US)
- (73) Assignee: **Maxlite, Inc.**, West Caldwell, NJ (US)
- (**) Term: **14 Years**
- (21) Appl. No.: **29/414,708**
- (22) Filed: **Mar. 2, 2012**
- (51) **LOC (10) Cl.** **26-04**
- (52) **U.S. Cl.**
USPC **D26/2**
- (58) **Field of Classification Search**
USPC D26/1-4; 313/313, 315, 316, 317, 318,
313/493; 315/52, 53, 56, 57, 58
See application file for complete search history.

- D631,573 S * 1/2011 Yamamoto et al. D26/2
- 7,866,850 B2 1/2011 Alexander et al.
- 7,874,702 B2 1/2011 Shuai et al.
- D685,505 S * 7/2013 Yamamoto et al. D26/2
- 2009/0103296 A1 4/2009 Harbers et al.
- 2010/0226139 A1 9/2010 Lynch et al.

OTHER PUBLICATIONS

Transcend—Solid State Lighting, Puck Style LED available at www.molex.com, May 22, 2009.

* cited by examiner

Primary Examiner — Marcus Jackson

(74) *Attorney, Agent, or Firm* — Vedder Price P.C.

(57) **CLAIM**

The ornamental design of the LED illumination unit, as shown and described.

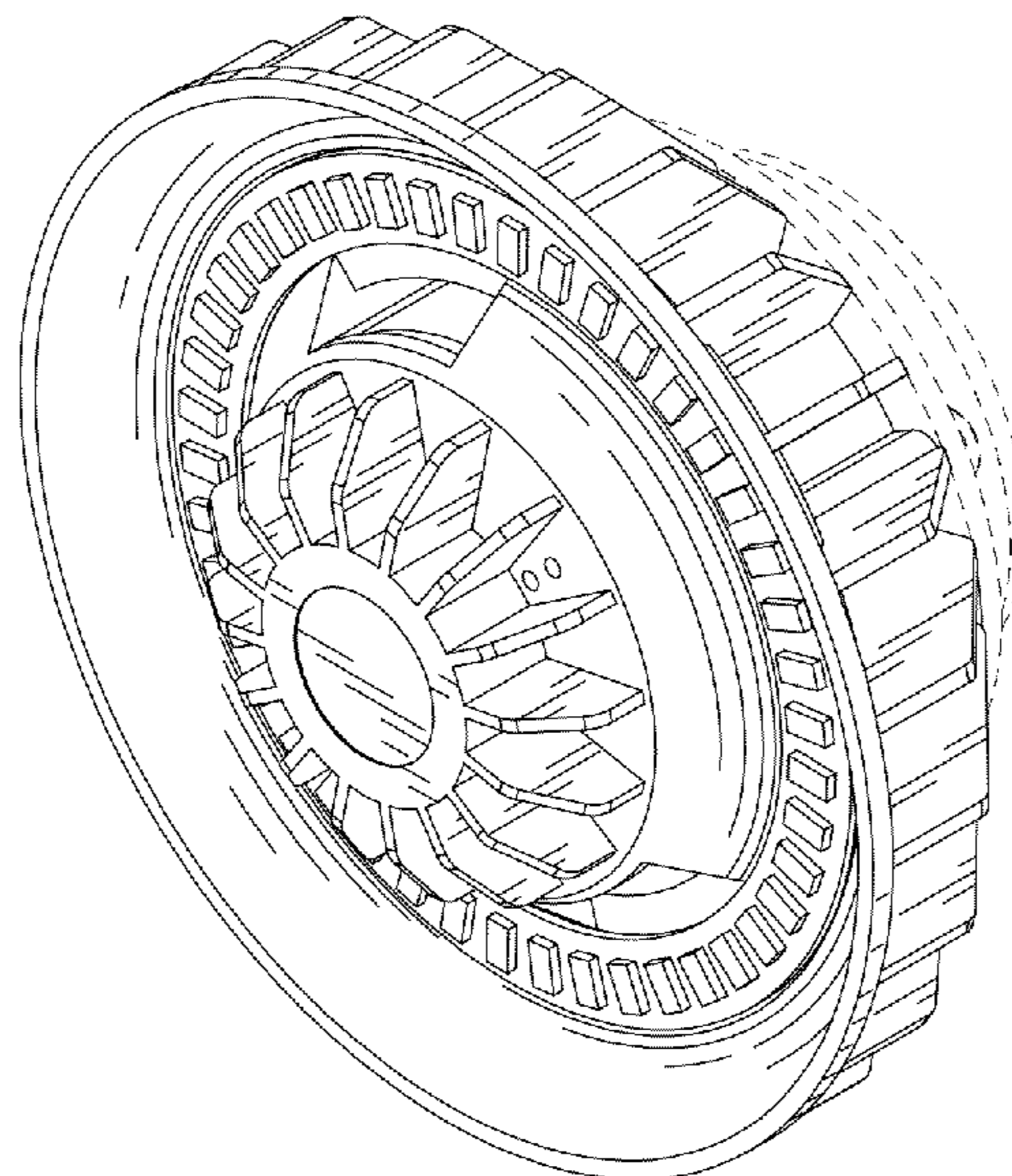
DESCRIPTION

FIG. 1 is a front perspective view of a first embodiment of a LED illumination unit;
 FIG. 2 is a rear perspective view of the LED illumination unit of FIG. 1;
 FIG. 3 is a front view of the LED illumination unit of FIG. 1;
 FIG. 4 is a rear view of the LED illumination unit of FIG. 1;
 FIG. 5 is first side view of the LED illumination unit of FIG. 1;
 FIG. 6 is a second side view of the LED illumination unit of FIG. 1;
 FIG. 7 is a top view of the LED illumination unit of FIG. 1;
 and,
 FIG. 8 is a bottom view of the LED illumination unit of FIG. 1.
 The broken line portions of the drawings are for illustrative purposes only and form no part of the claimed design.

(56) **References Cited**
U.S. PATENT DOCUMENTS

6,787,999	B2	9/2004	Stimac et al.	
D497,439	S	10/2004	Shaw et al.	
6,874,911	B2	4/2005	Yoneda	
7,175,306	B2	2/2007	Pan	
D539,935	S	4/2007	Mama	
D566,323	S	4/2008	Piegras et al.	
7,458,706	B1	12/2008	Liu et al.	
7,482,632	B2	1/2009	Lu et al.	
7,607,802	B2	10/2009	Kang et al.	
7,663,229	B2	2/2010	Lu et al.	
7,690,801	B2	4/2010	Amphlett	
7,701,055	B2	4/2010	Wu et al.	
7,703,951	B2	4/2010	Piegras et al.	
7,766,518	B2	8/2010	Piegras et al.	
D625,030	S *	10/2010	Yamamoto et al.	D26/2
D627,492	S *	11/2010	Yamamoto et al.	D26/2
D628,317	S *	11/2010	Yamamoto et al.	D26/2
D628,722	S *	12/2010	Yamamoto et al.	D26/2

1 Claim, 4 Drawing Sheets



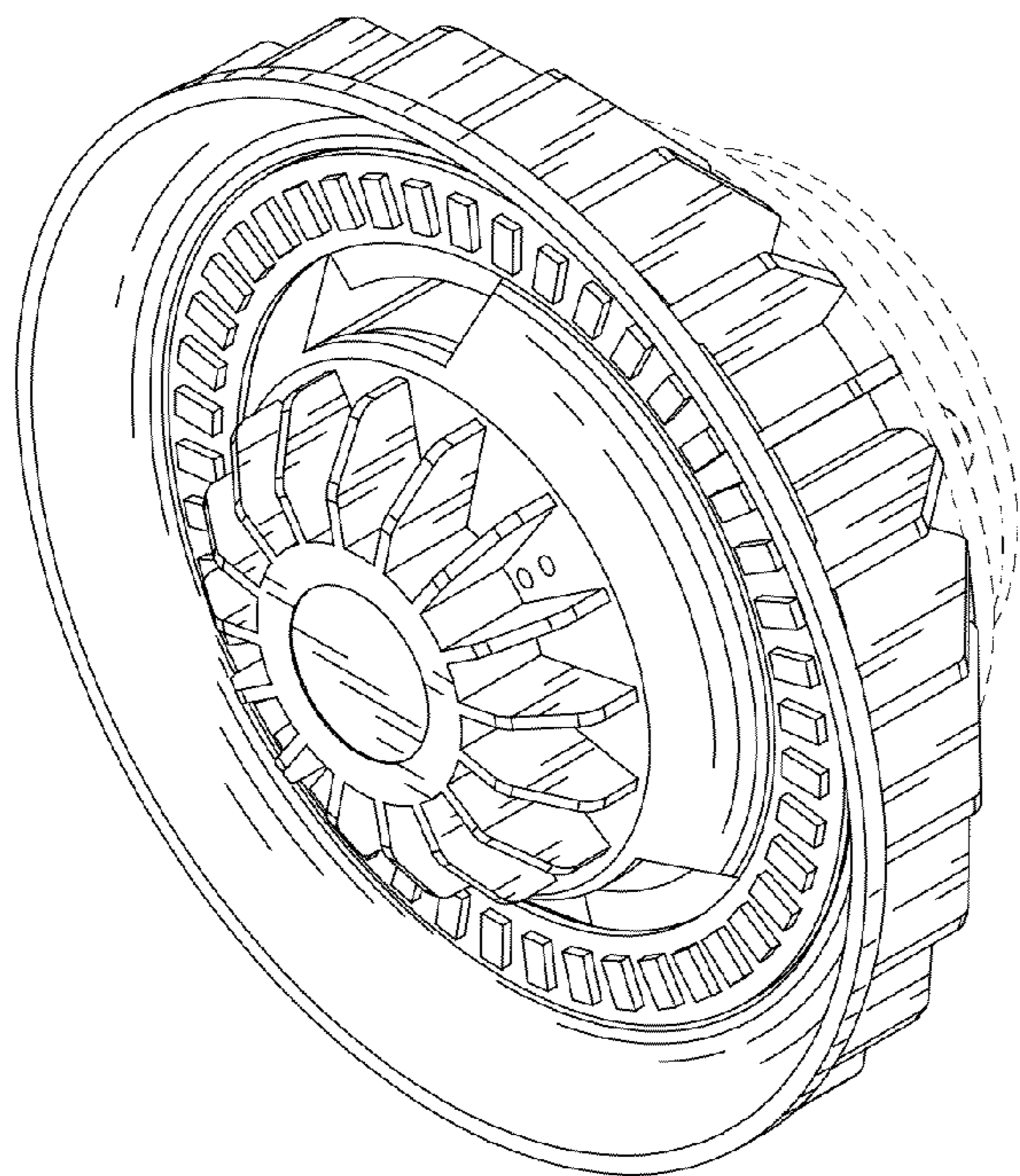


FIG. 1

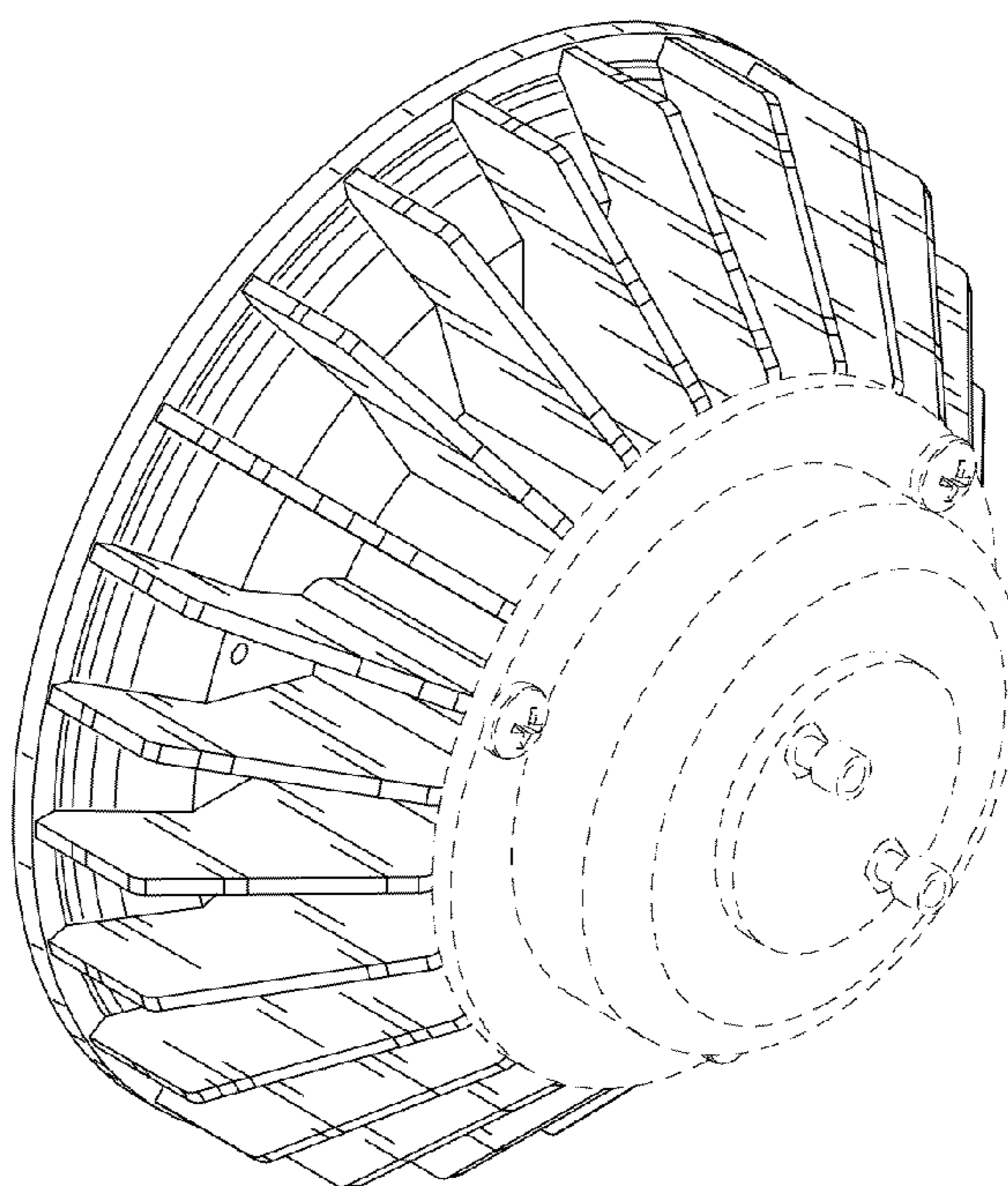


FIG. 2

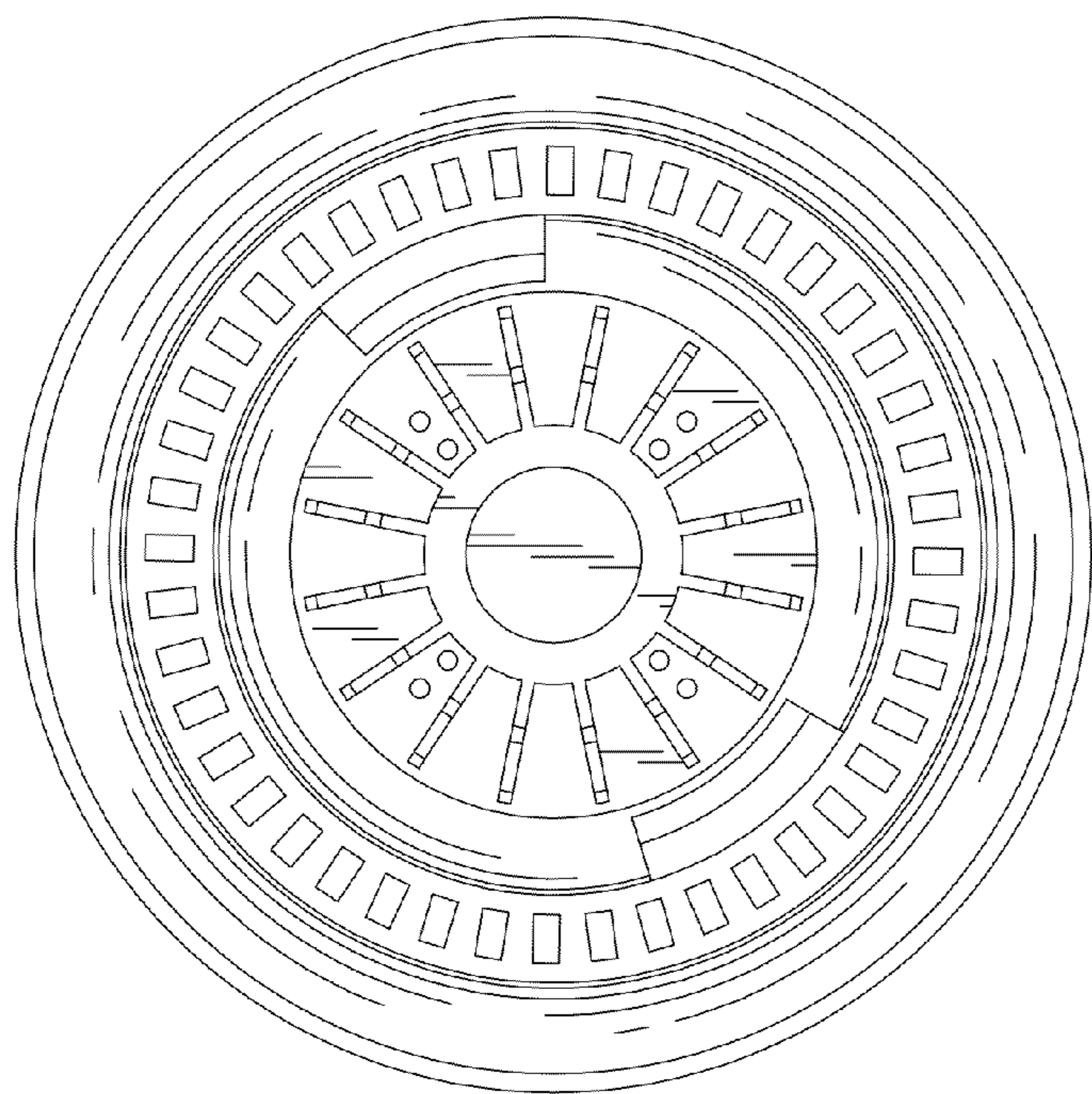


FIG. 3

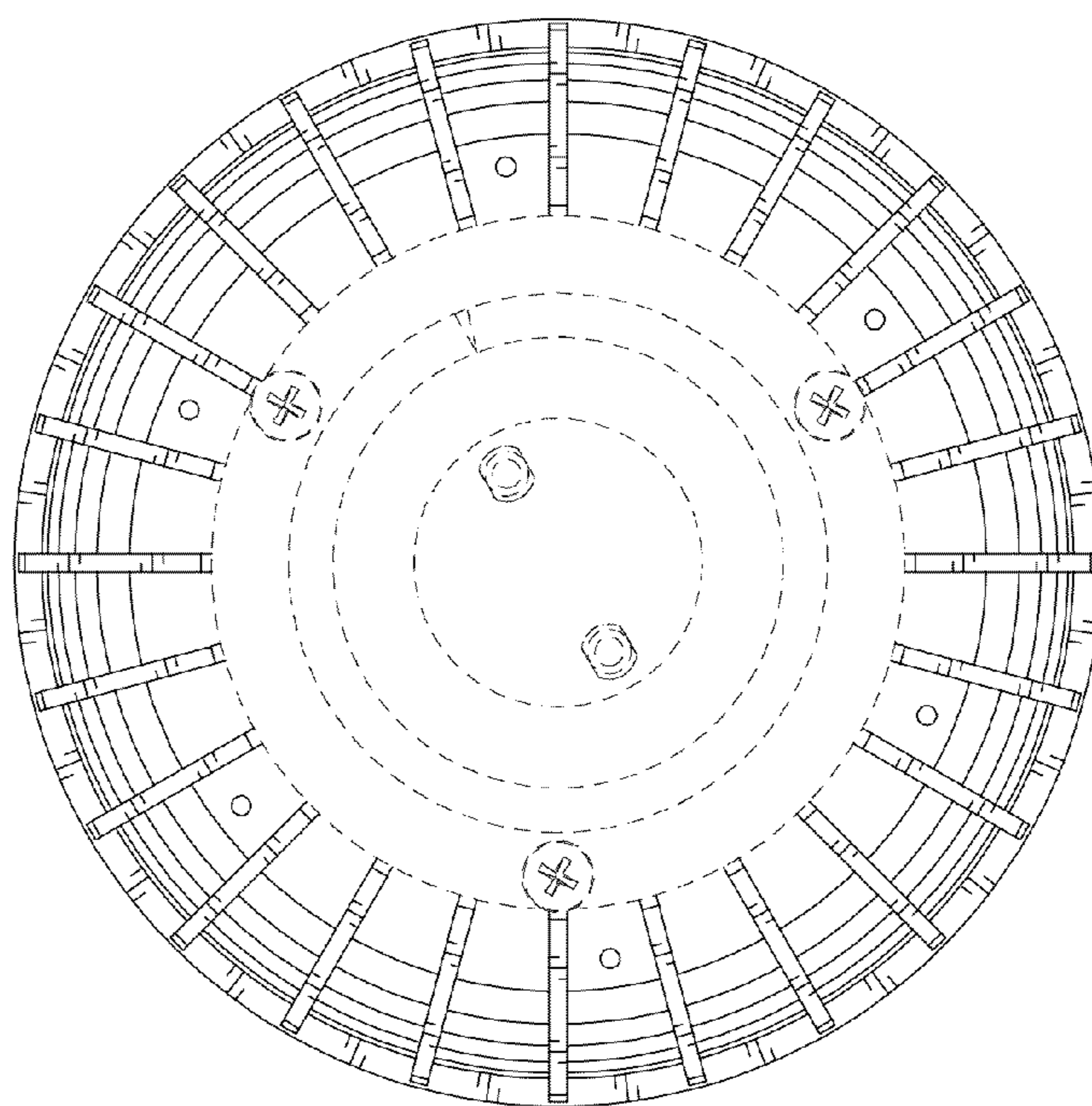


FIG. 4

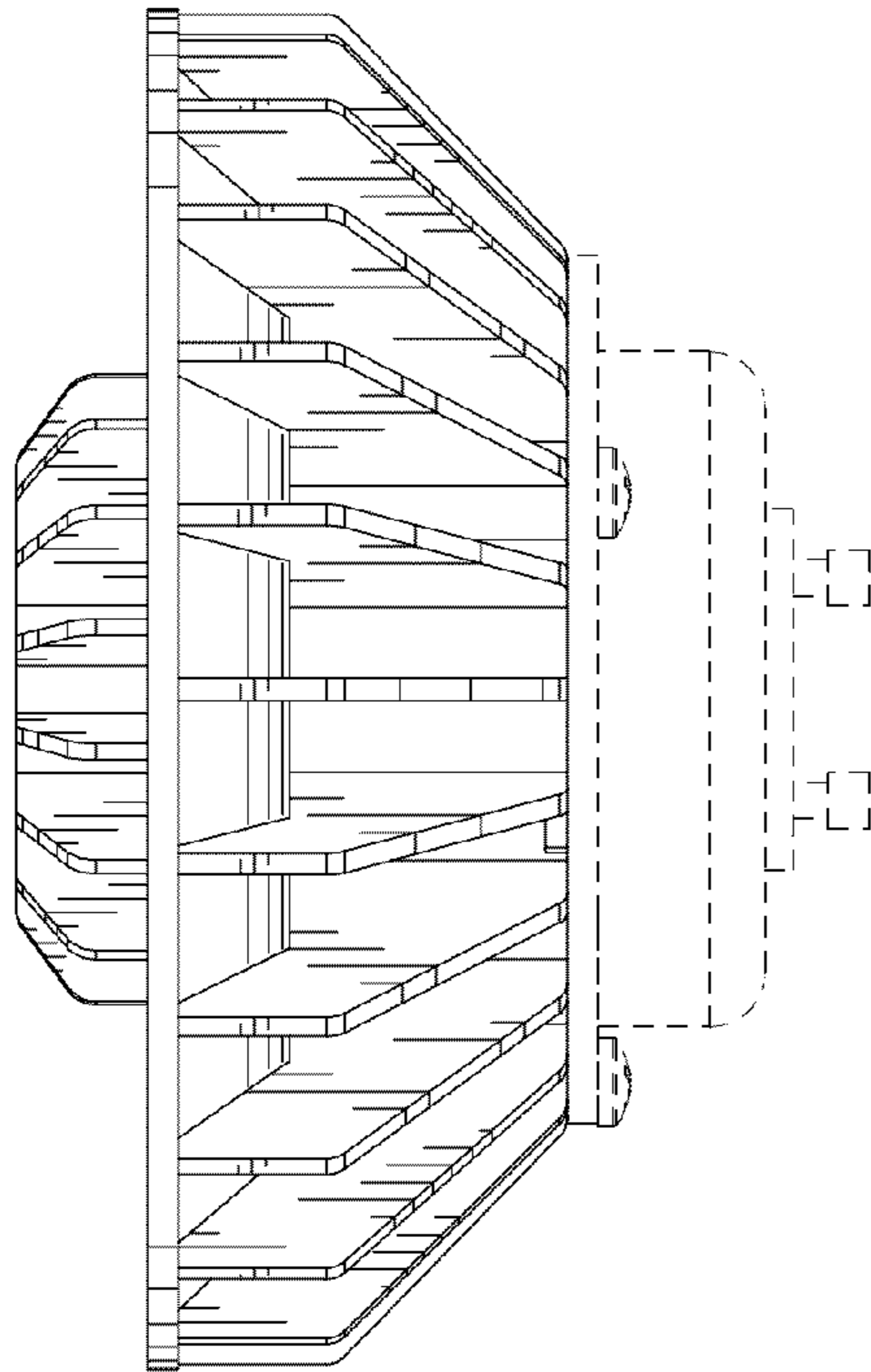


FIG. 5

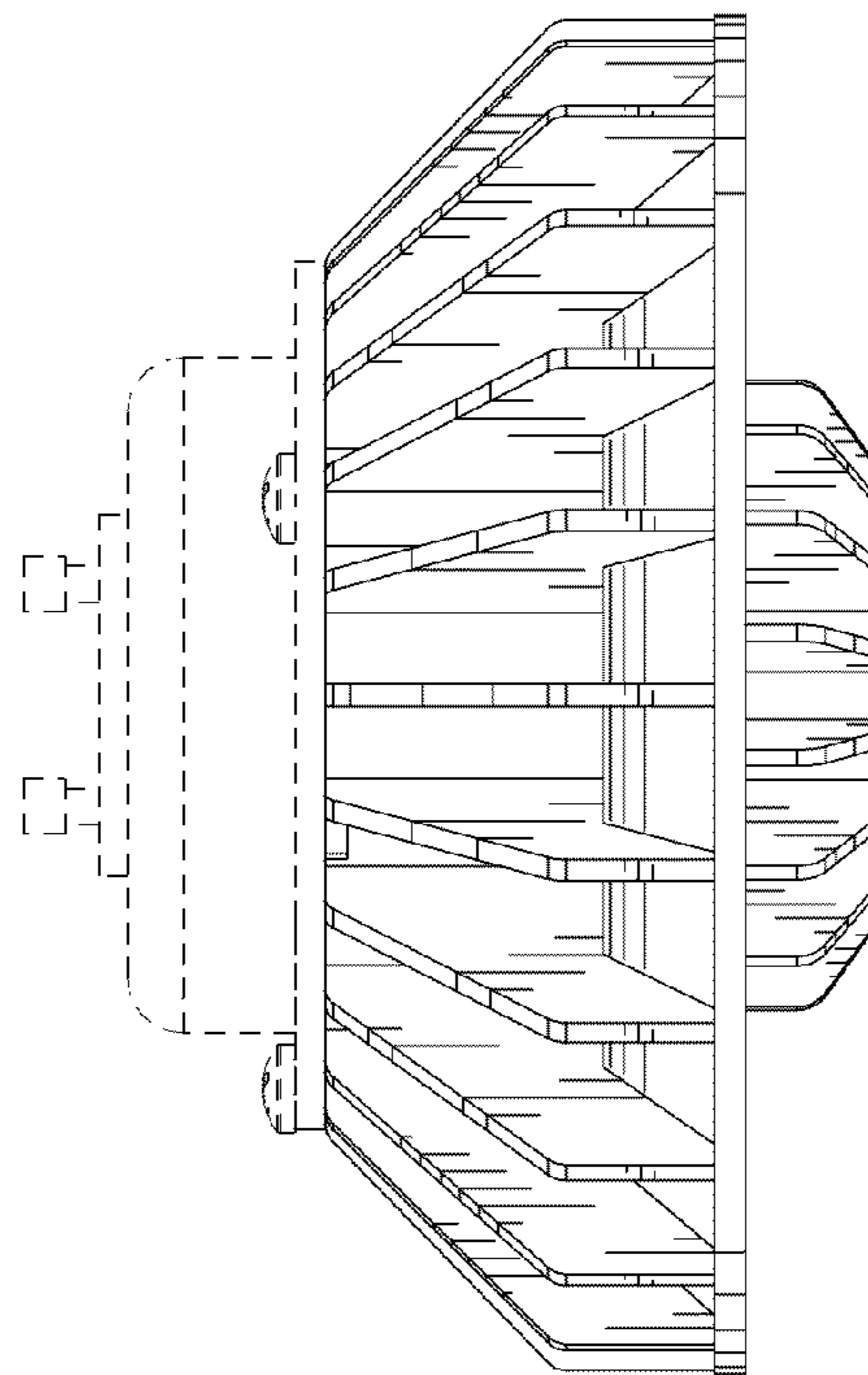


FIG. 6

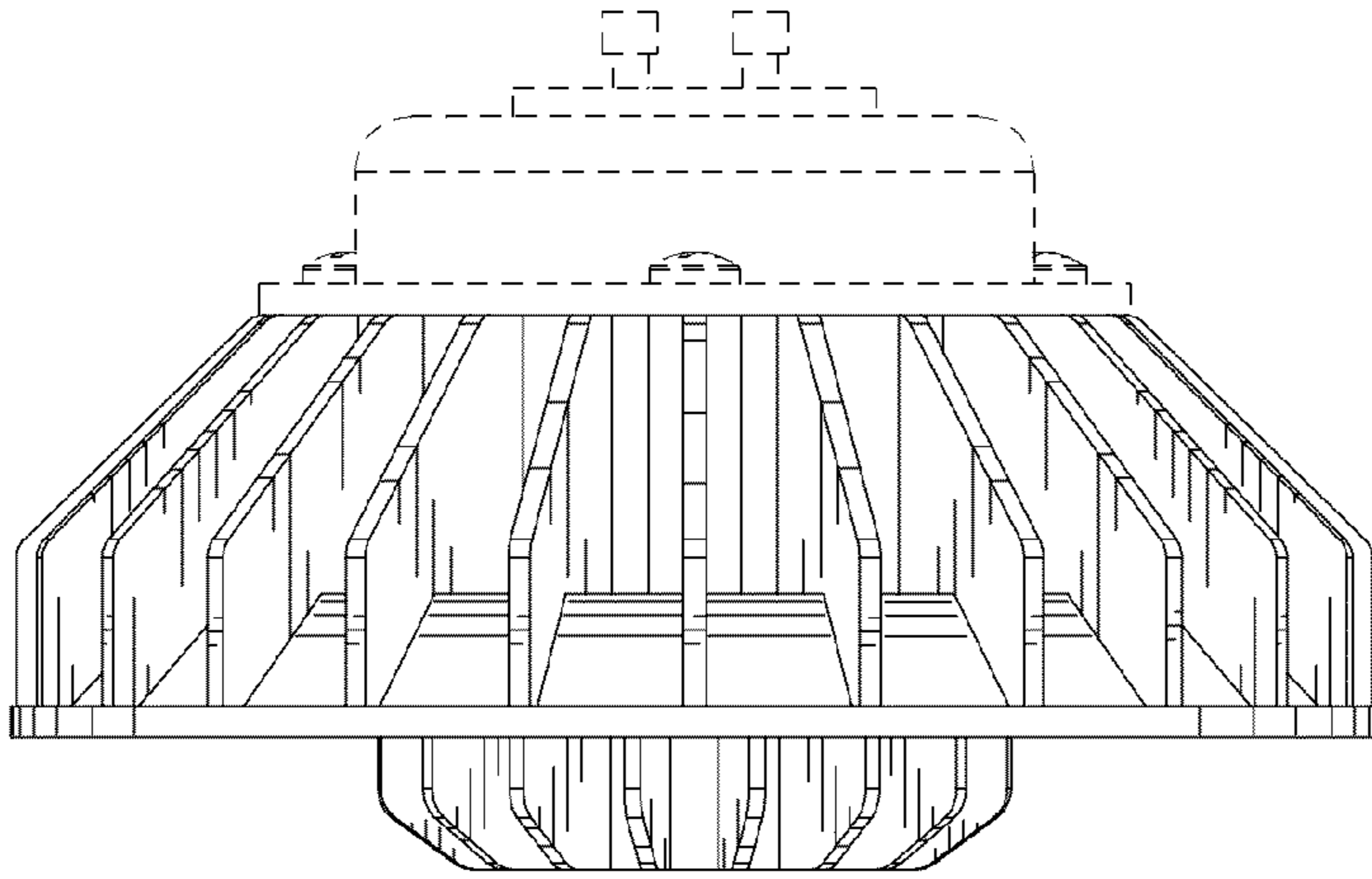


FIG. 7

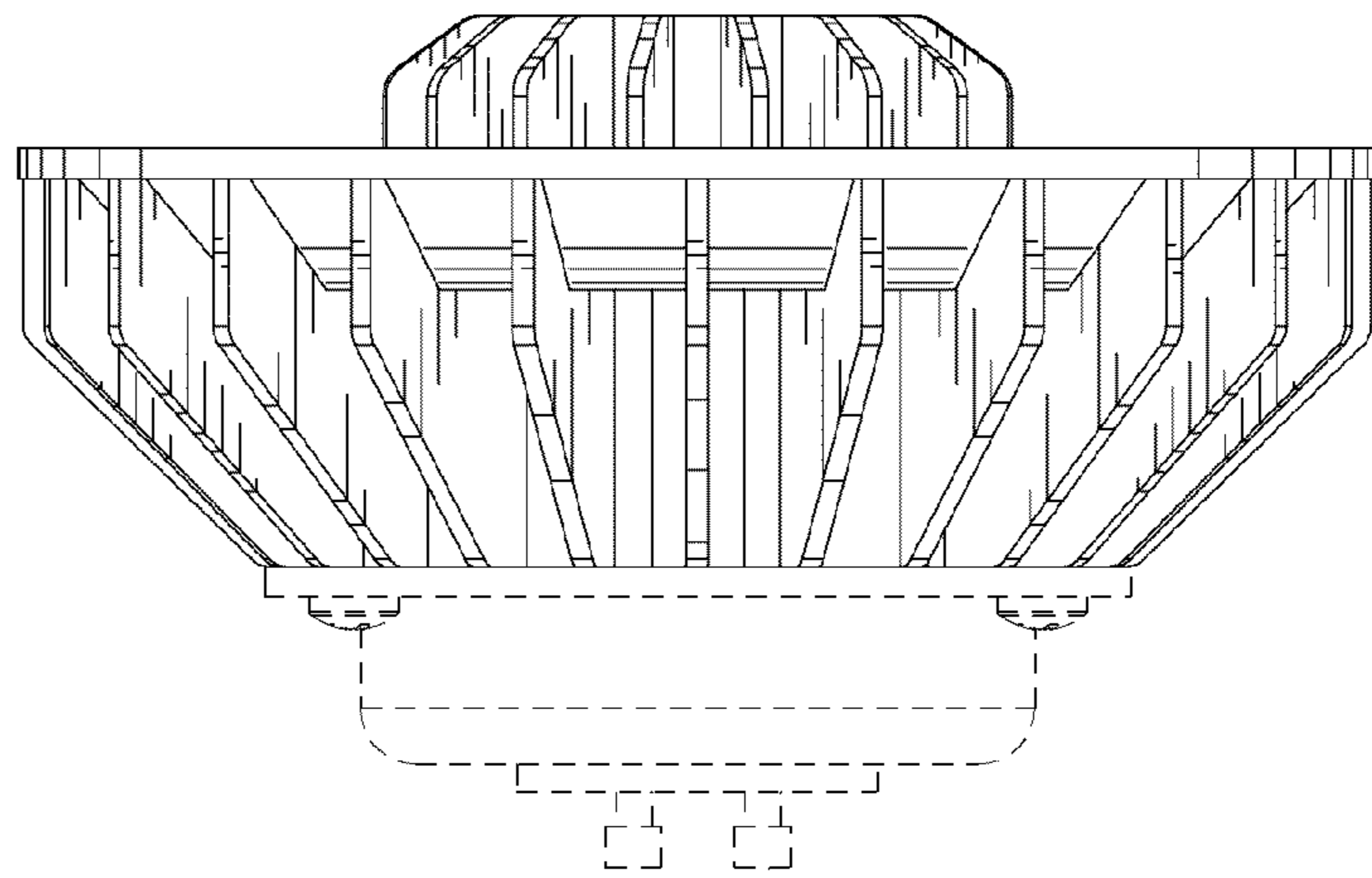


FIG. 8