



US00D701616S

(12) **United States Design Patent**
Schroer et al.

(10) **Patent No.:** **US D701,616 S**
(45) **Date of Patent:** **** Mar. 25, 2014**

(54) **MAGNETIC STIRRER**

(75) Inventors: **Erhard Schroer**, Ulm (DE); **Sebastian Wiegert**, Freiburg (DE)

(73) Assignee: **IKA-Werke GmbH & Co. KG**, Staufen (DE)

(**) Term: **14 Years**

(21) Appl. No.: **29/420,236**

(22) Filed: **May 7, 2012**

(30) **Foreign Application Priority Data**

Feb. 17, 2012 (WO) DM/077 723

(51) **LOC (10) Cl.** **24-00**

(52) **U.S. Cl.**
USPC **D24/220**

(58) **Field of Classification Search**
USPC D24/220, 221, 216, 224, 231, 232, 197, D24/110, 133; D23/209, 365; D7/679, 682, D7/372-374, 383, 384, 597, 400, 191, 545, D7/509, 316, 565, 667, 317, 587; 241/168, 241/169, 169.1-169.2, 199.11, 273.2, 286, 241/262, 136, 30; D15/5; 604/708; 134/158
See application file for complete search history.

(56) **References Cited**

U.S. PATENT DOCUMENTS

D244,379 S * 5/1977 Moon D24/221
D258,085 S * 1/1981 Porteous D24/221
D426,312 S * 6/2000 Gomes D24/220
D569,988 S * 5/2008 Koop D24/220
D596,309 S * 7/2009 Tien et al. D24/220

D660,453 S * 5/2012 Jani et al. D24/220
2011/0103175 A1 * 5/2011 Waldmann et al. 366/141
2011/0165023 A1 * 7/2011 Eble 422/68.1

OTHER PUBLICATIONS

http://www.fisherbiotec.com.au/shop/product/magnetic_stirrer/228.*
http://www.velp.com/en/products/lines/3/family/38/*
http://www.dhgate.com/product/vortexers-vortex-mixer-133025270.html.*
http://www.labunlimited.com/Online-Shop/Laboratory/Stirring-Shaking-Mixing/Magnetic-...*.

* cited by examiner

Primary Examiner — Robert M Spear

Assistant Examiner — Rhea Shields

(74) *Attorney, Agent, or Firm* — Volpe and Koenig, P.C.

(57) **CLAIM**

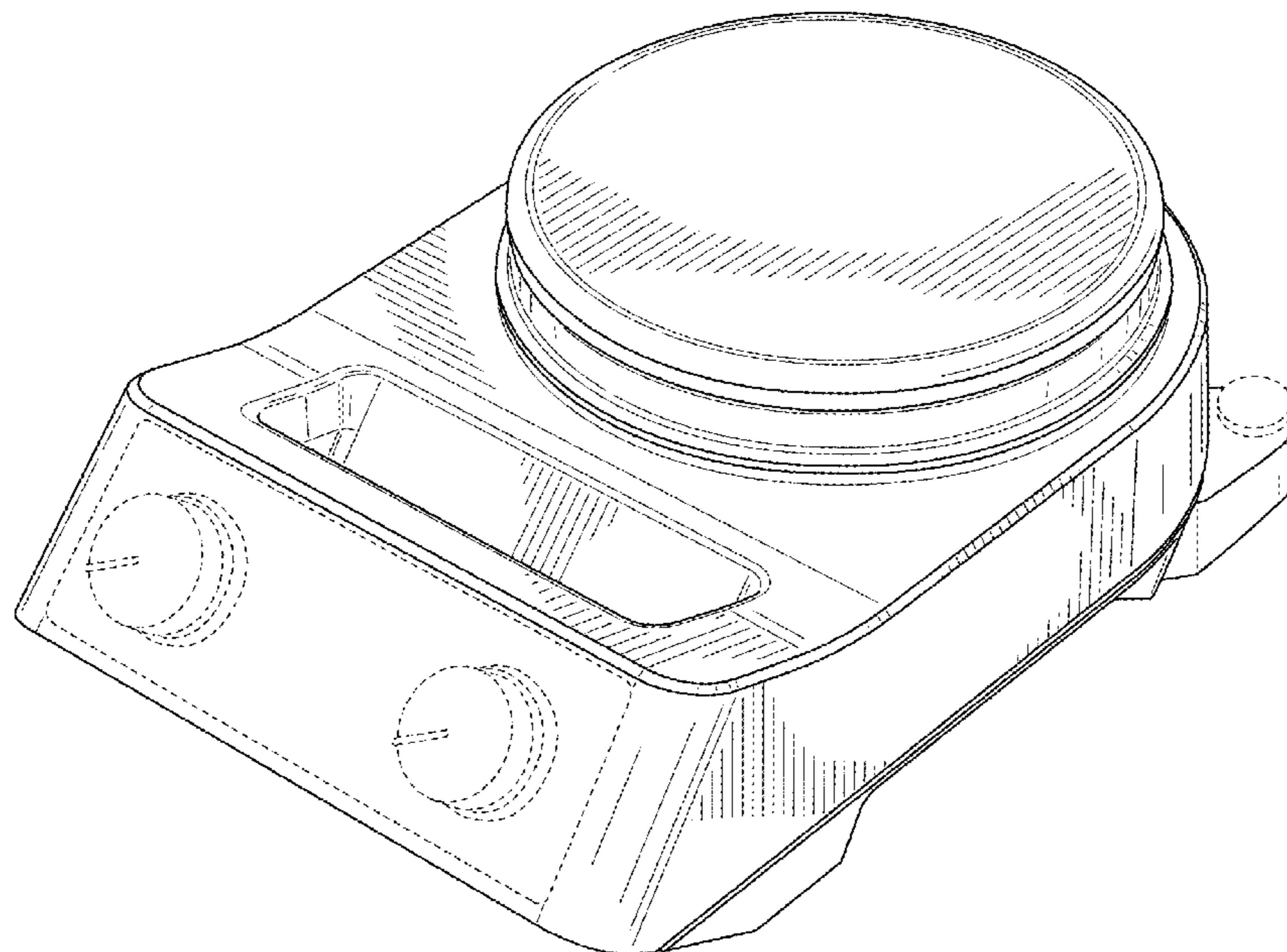
The ornamental design for a magnetic stirrer, as shown and described.

DESCRIPTION

FIG. 1 is a top, front, right perspective view of a magnetic stirrer in accordance with my design;
FIG. 2 is a front elevational view thereof;
FIG. 3 is a rear elevational view thereof;
FIG. 4 is a right side elevational view thereof;
FIG. 5 is a left side elevational view thereof;
FIG. 6 is a top plan view thereof; and,
FIG. 7 is a bottom view thereof.

The broken lines in the drawings represent unclaimed environment only and form no part of the claimed design.

1 Claim, 6 Drawing Sheets



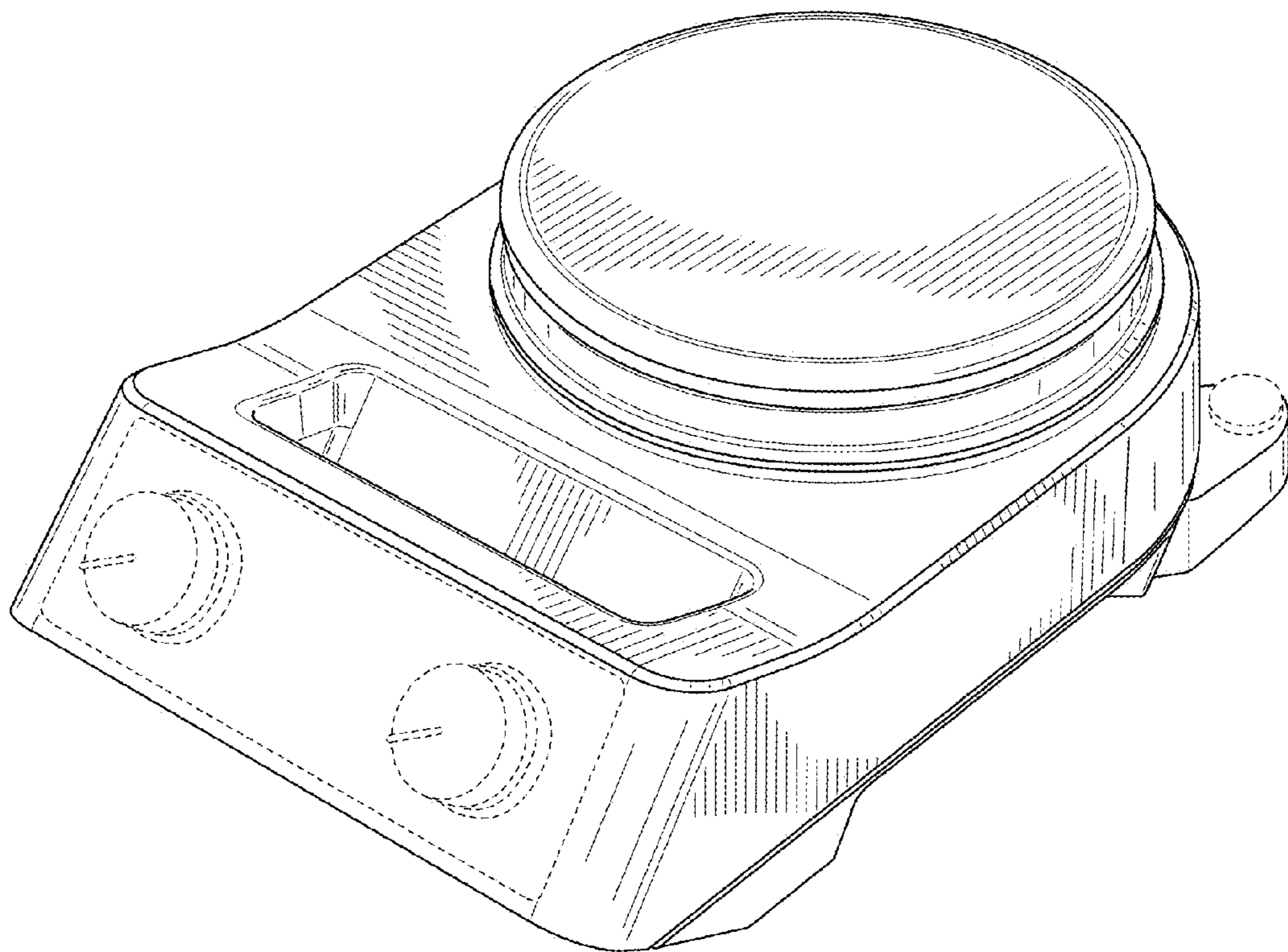


FIG. 1

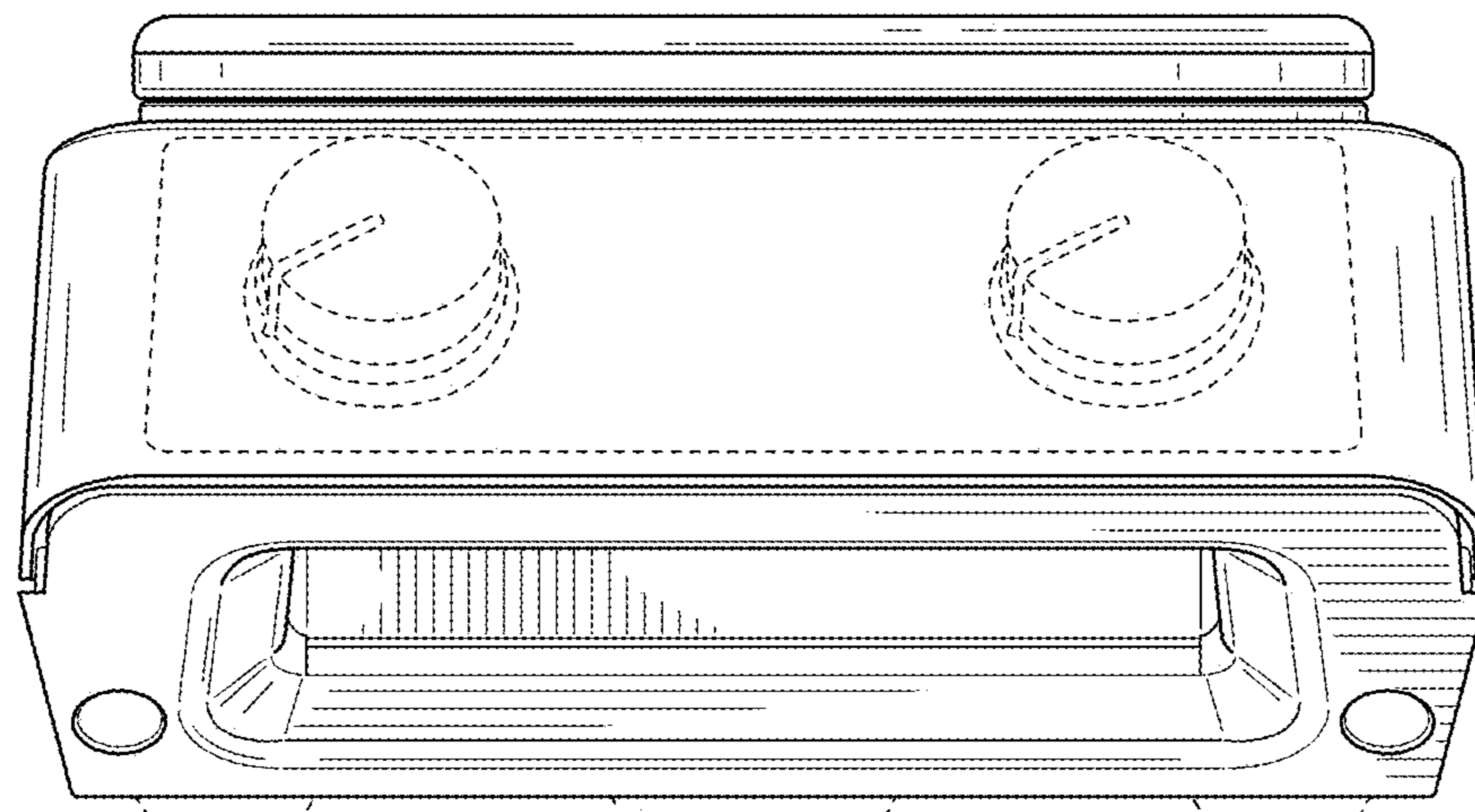


FIG. 2

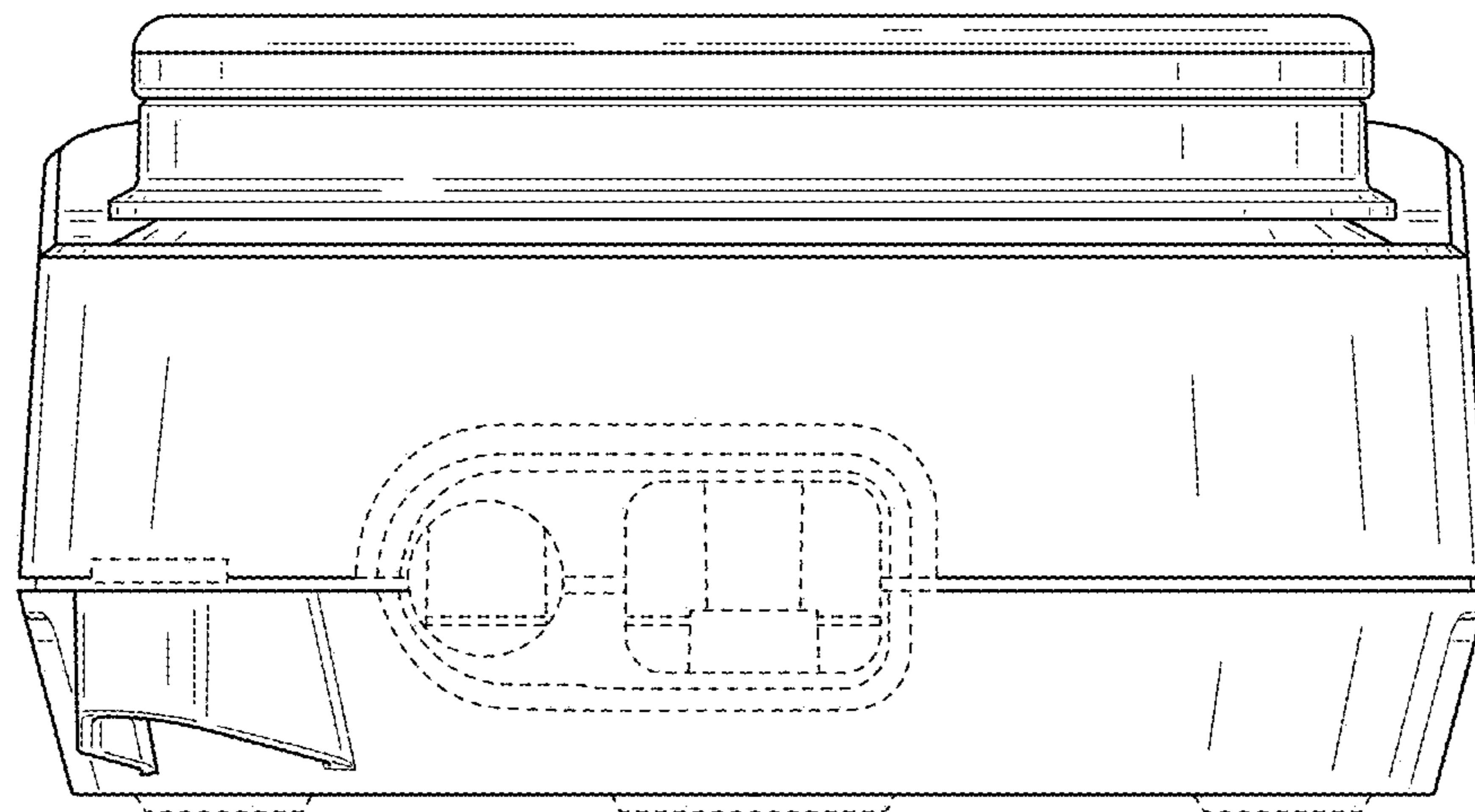


FIG. 3

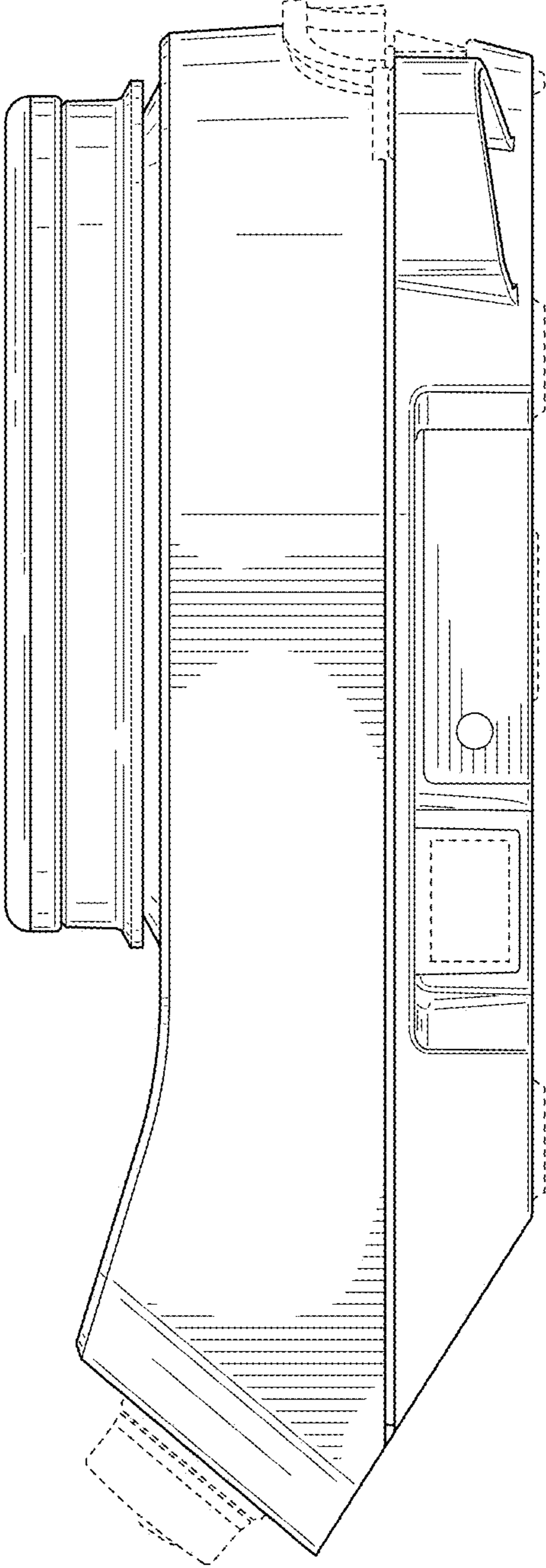


FIG. 4

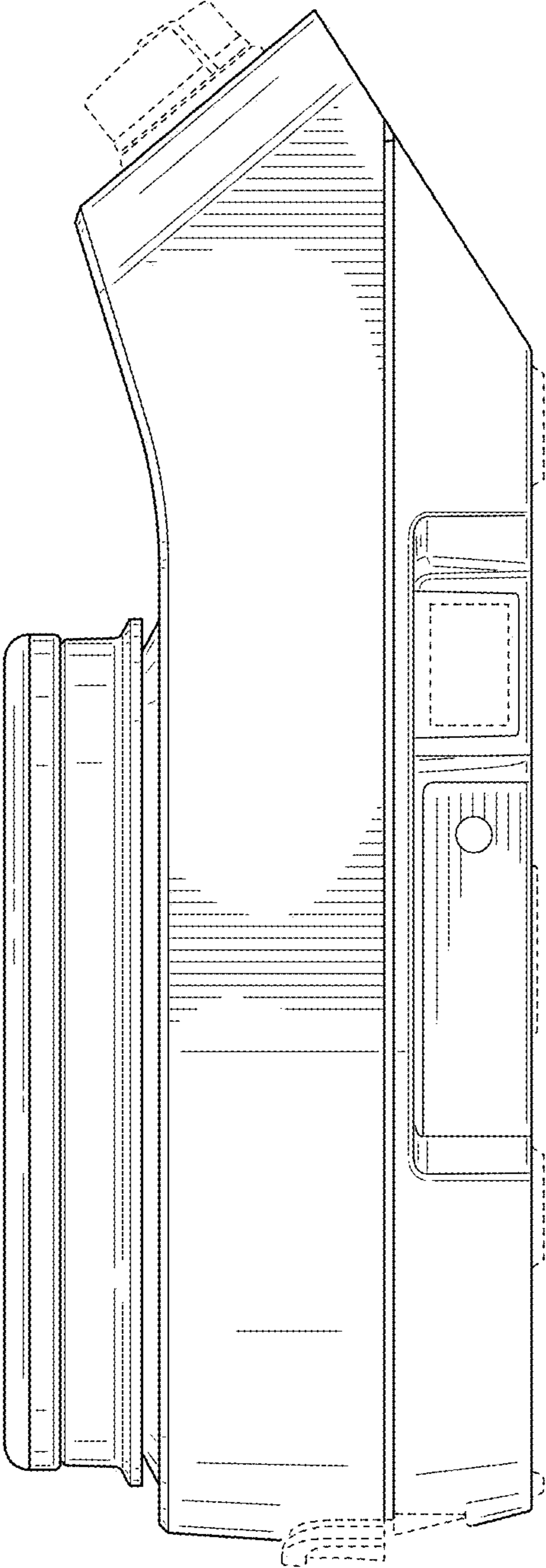


FIG. 5

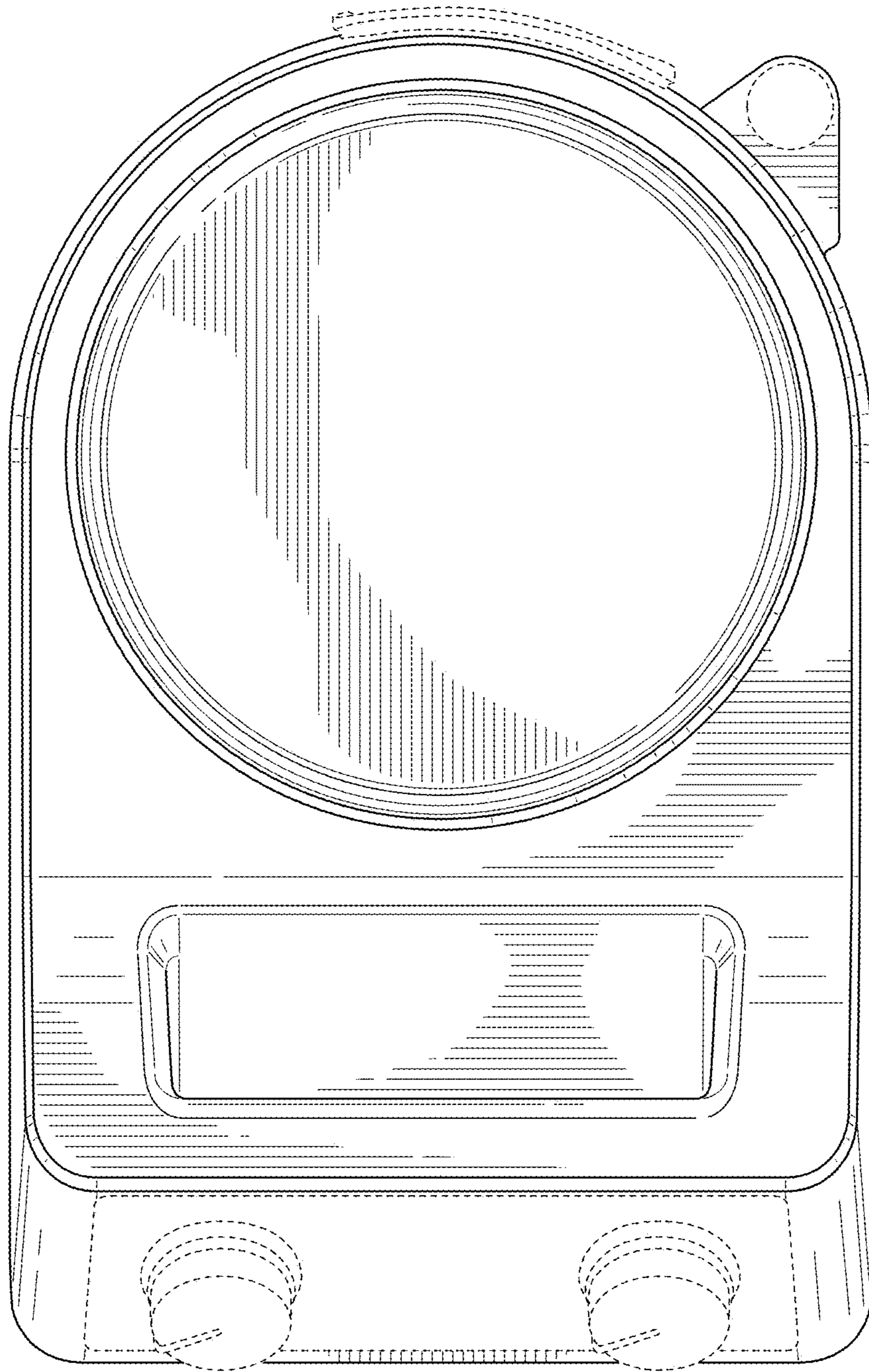


FIG. 6

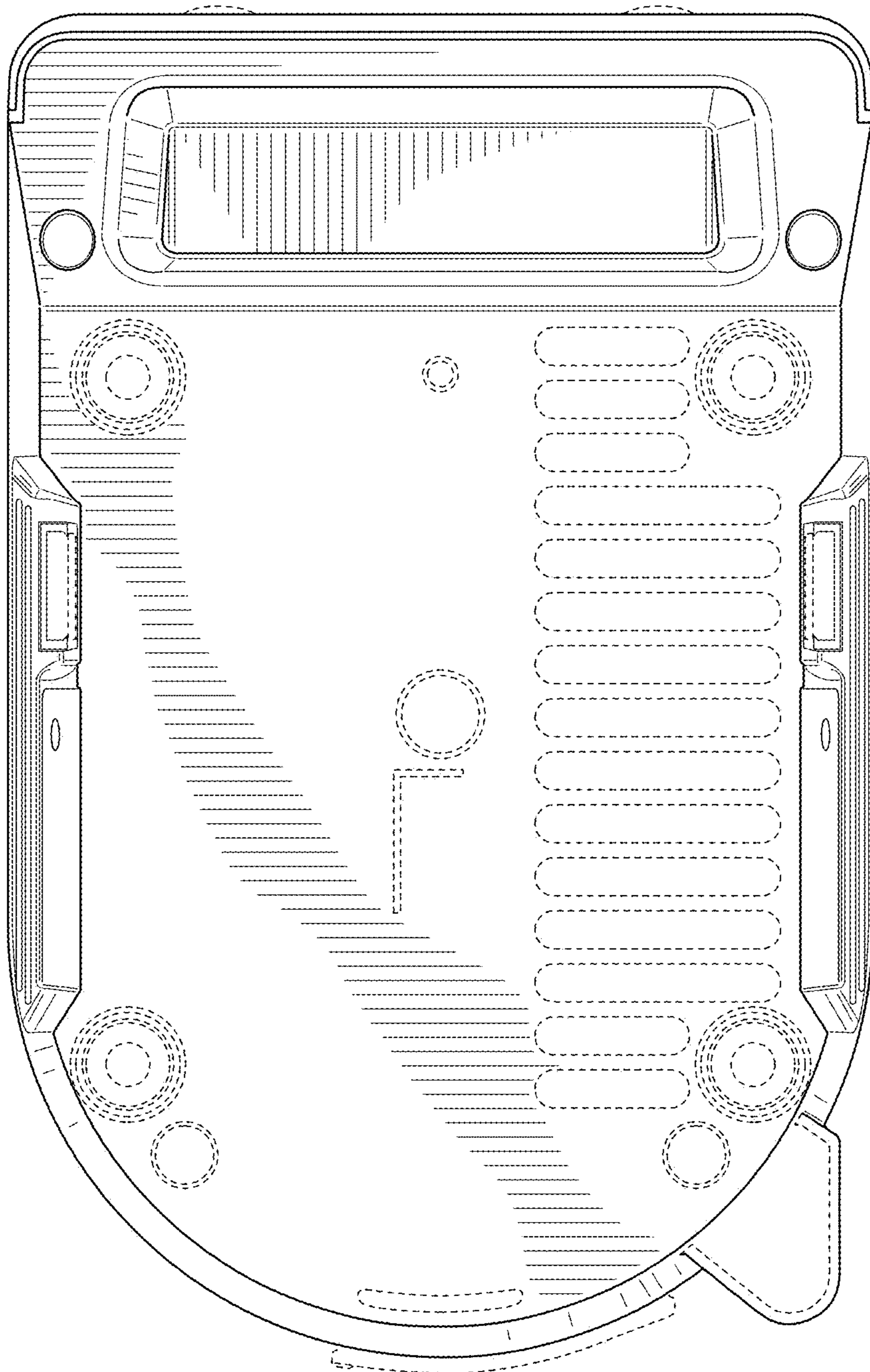


FIG. 7