



US00D701613S

(12) **United States Design Patent**
Twiggs

(10) **Patent No.:** **US D701,613 S**

(45) **Date of Patent:** **** Mar. 25, 2014**

(54) **MESSAGE PIN**

(71) Applicant: **Christopher J. Twiggs**, Murphy, NC
(US)

(72) Inventor: **Christopher J. Twiggs**, Murphy, NC
(US)

(**) Term: **14 Years**

(21) Appl. No.: **29/465,458**

(22) Filed: **Aug. 28, 2013**

(51) **LOC (10) Cl.** **28-03**

(52) **U.S. Cl.**
USPC **D24/215**

(58) **Field of Classification Search**
USPC D24/200, 211, 212, 213, 214, 215;
601/114, 120, 121, 124, 125, 130, 131,
601/134, 135, 136, 137
See application file for complete search history.

(56) **References Cited**

U.S. PATENT DOCUMENTS

2,017,400	A *	10/1935	Hoyer	601/135
D286,182	S *	10/1986	Hilman	D24/211
5,624,384	A *	4/1997	Chen	601/84
5,843,005	A *	12/1998	Chubinsky	601/15
6,102,876	A *	8/2000	Winger	601/135
6,217,121	B1 *	4/2001	Mollet	297/452.28
6,821,260	B2 *	11/2004	Fors	601/133
7,320,668	B1 *	1/2008	Warder	601/136
D586,470	S *	2/2009	Warder	D24/211
D669,997	S *	10/2012	Crockford	D24/215

* cited by examiner

Primary Examiner — Sandra Snapp

(74) *Attorney, Agent, or Firm* — Schwartz Law Firm, P.C.

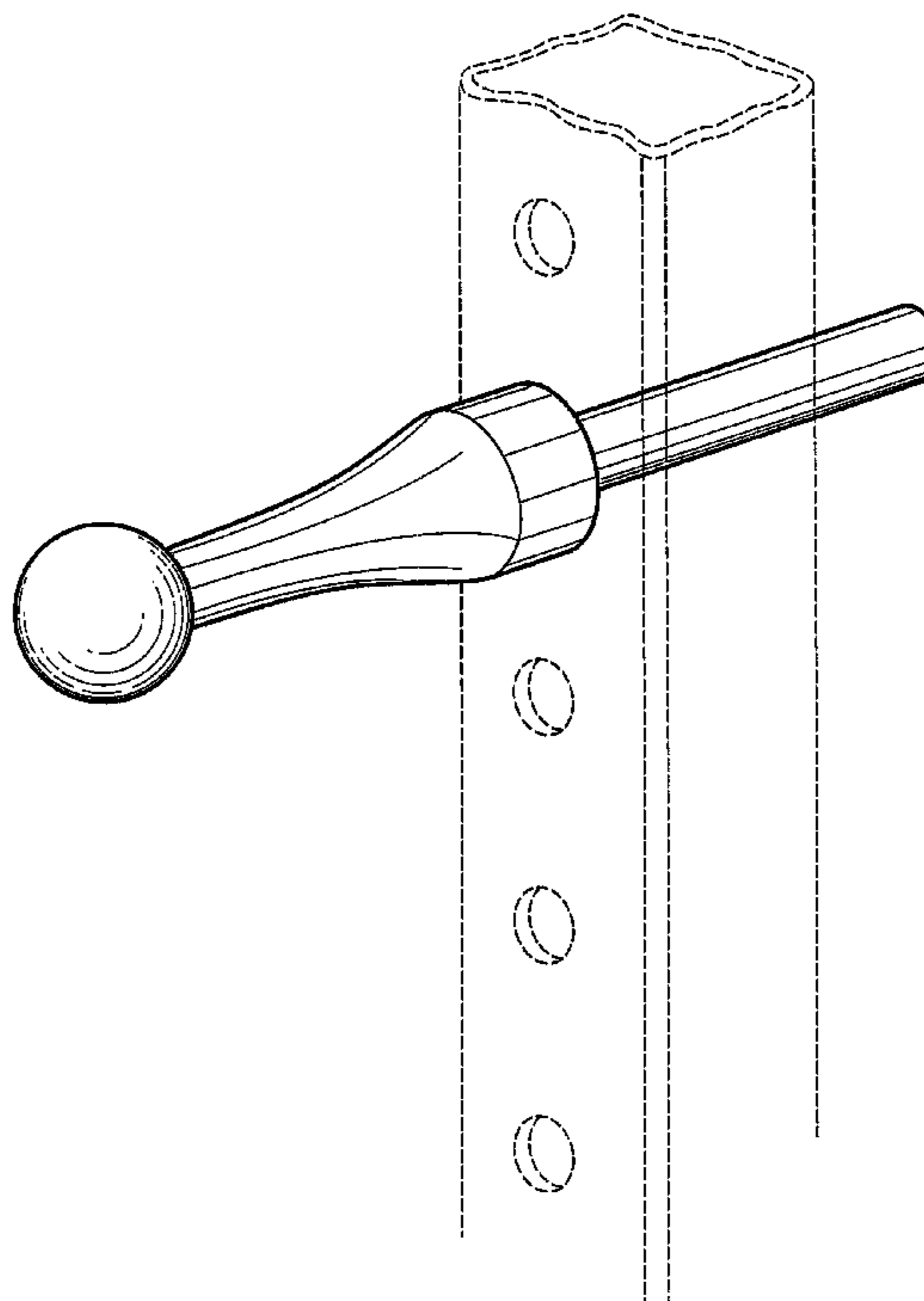
(57) **CLAIM**

I claim the ornamental design for a message pin, as shown and described.

DESCRIPTION

FIG. 1 is a perspective view of a message pin with environmental structure shown in broken lines;
 FIGS. 2 and 3 are further perspective views of the message pin;
 FIG. 4 is a side view of the message pin;
 FIG. 5 is a front end view of the message pin;
 FIG. 6 is a rear end view of the message pin;
 FIG. 7 is a perspective view of the message pin according to another embodiment of the present design, and showing a connecting end of the message pin and environmental structure in broken lines;
 FIGS. 8 and 9 are further perspective views of the message pin;
 FIG. 10 is a side view of the message pin;
 FIG. 11 is a front end view of the message pin; and,
 FIG. 12 is a rear end view of the message pin.
 The broken lines portions shown in the drawings are for illustrative purposes only and form no part of the claimed design.

1 Claim, 6 Drawing Sheets



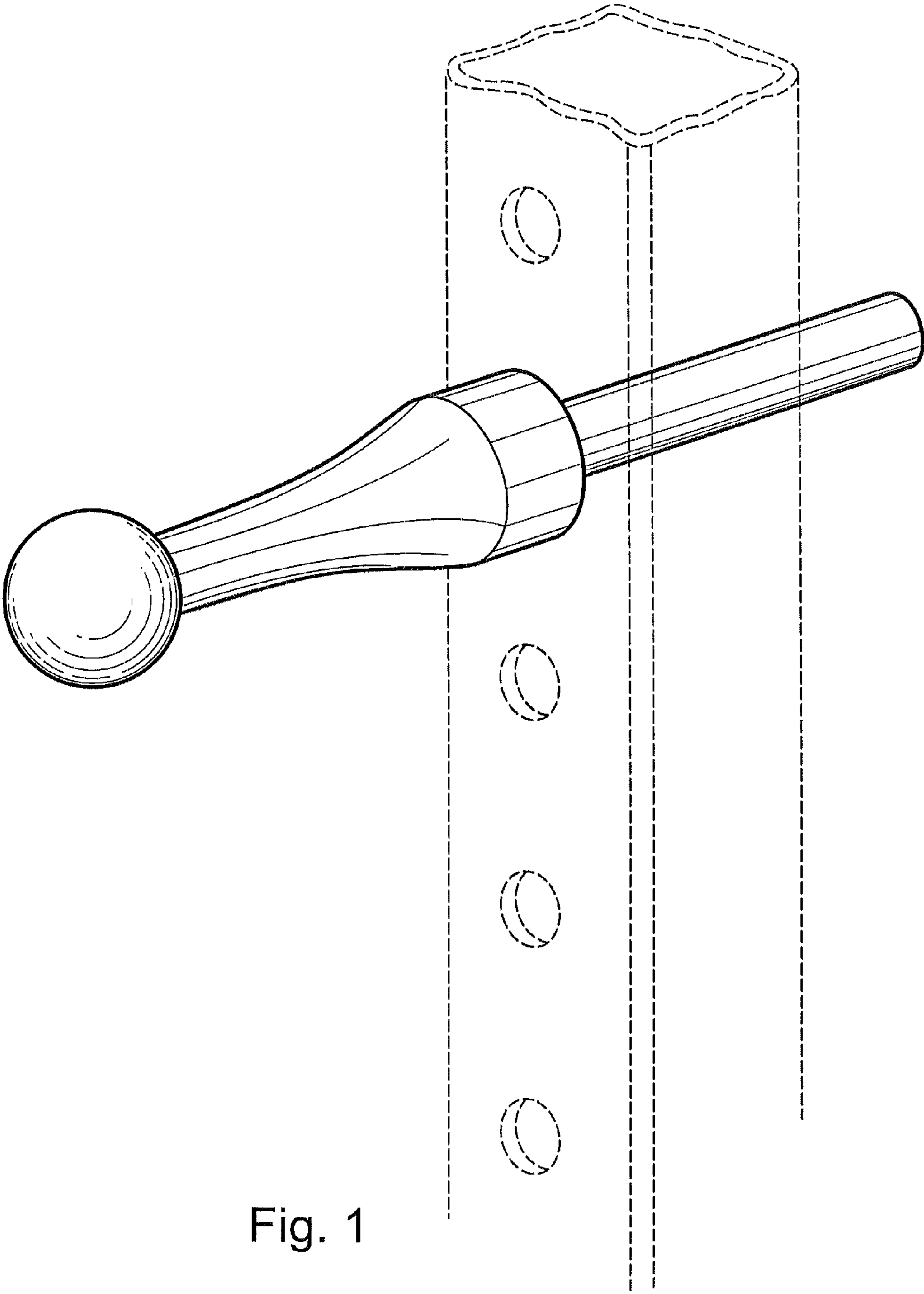


Fig. 1

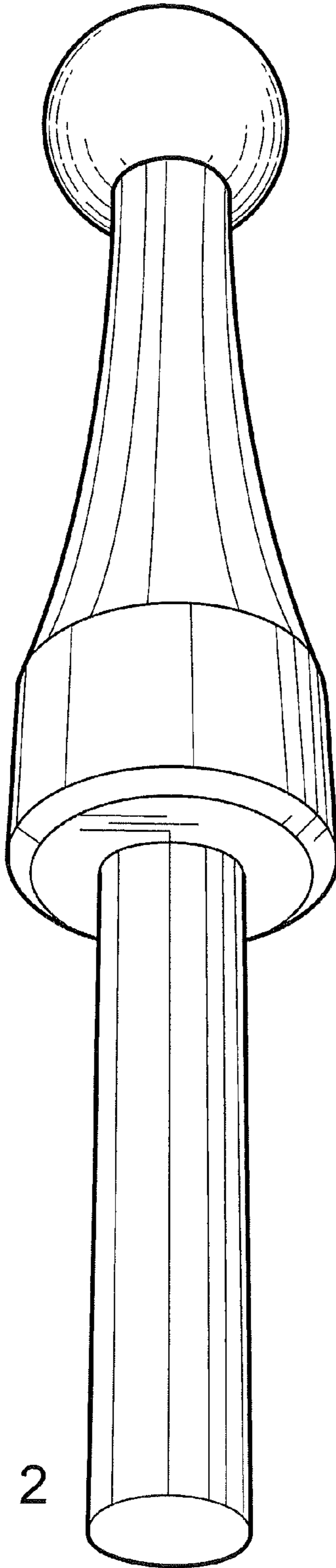


Fig. 2

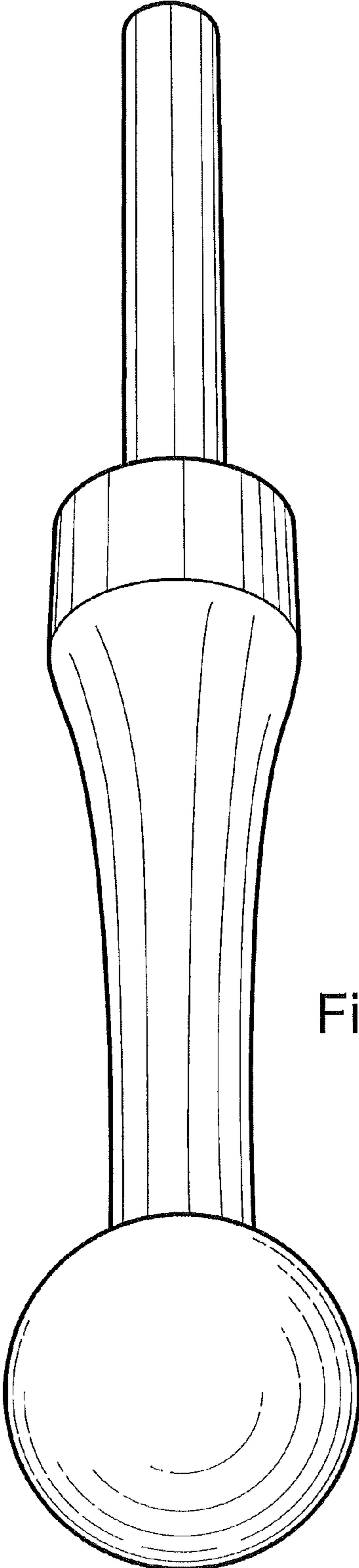


Fig. 3

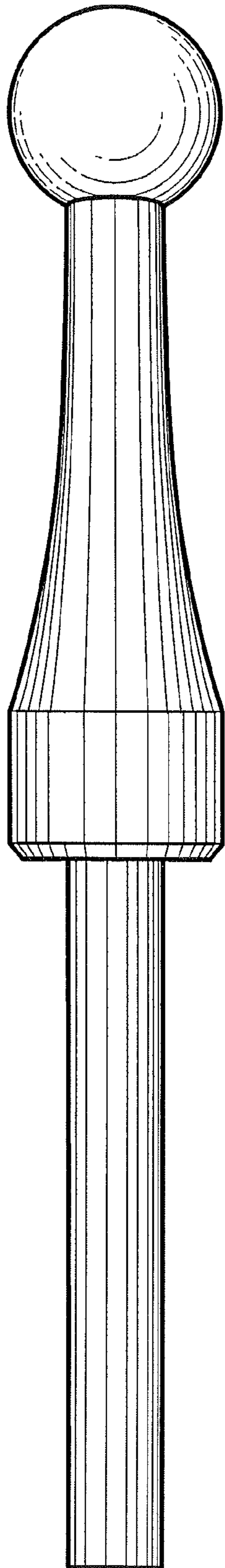


Fig. 4

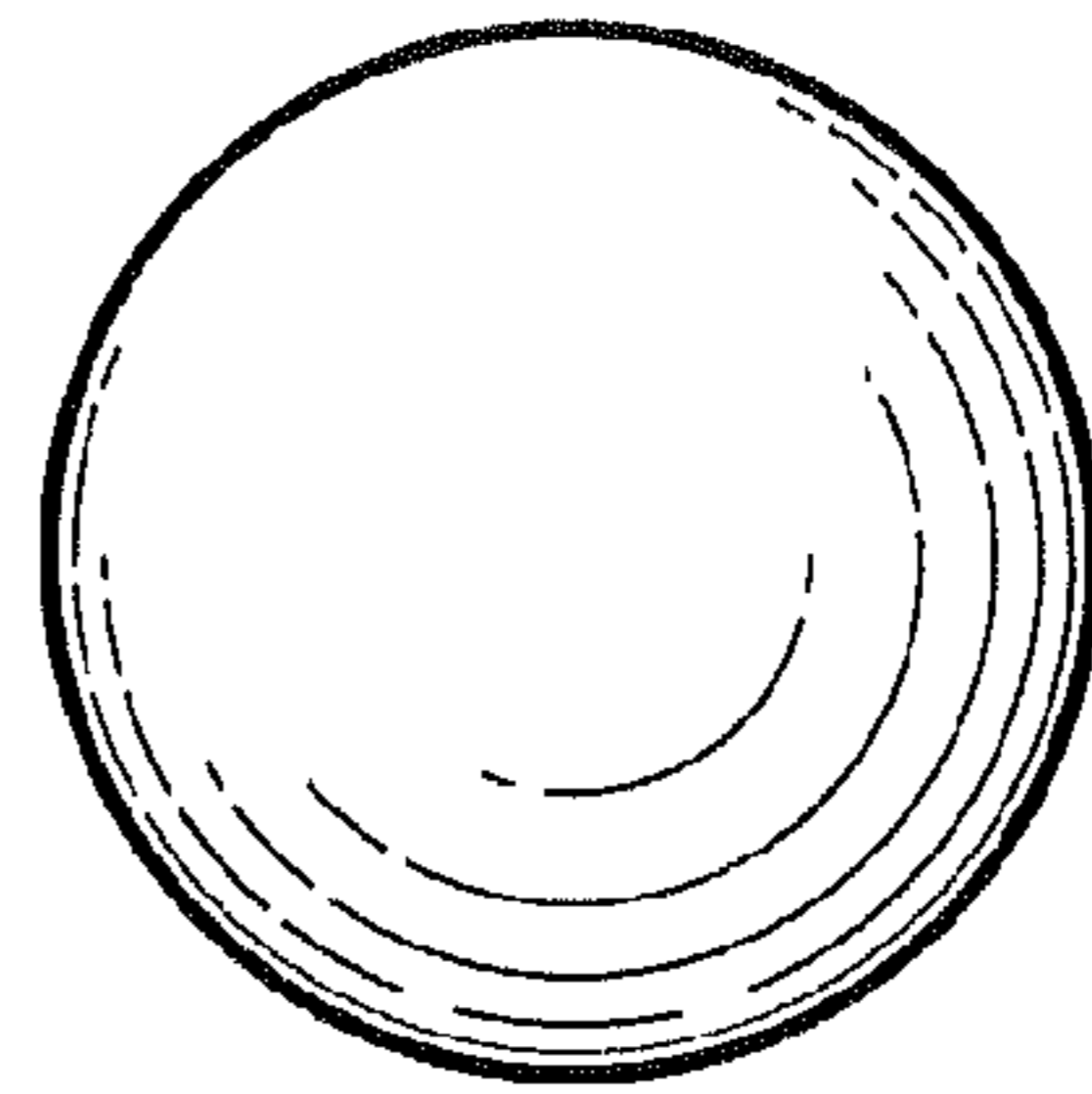


Fig. 5

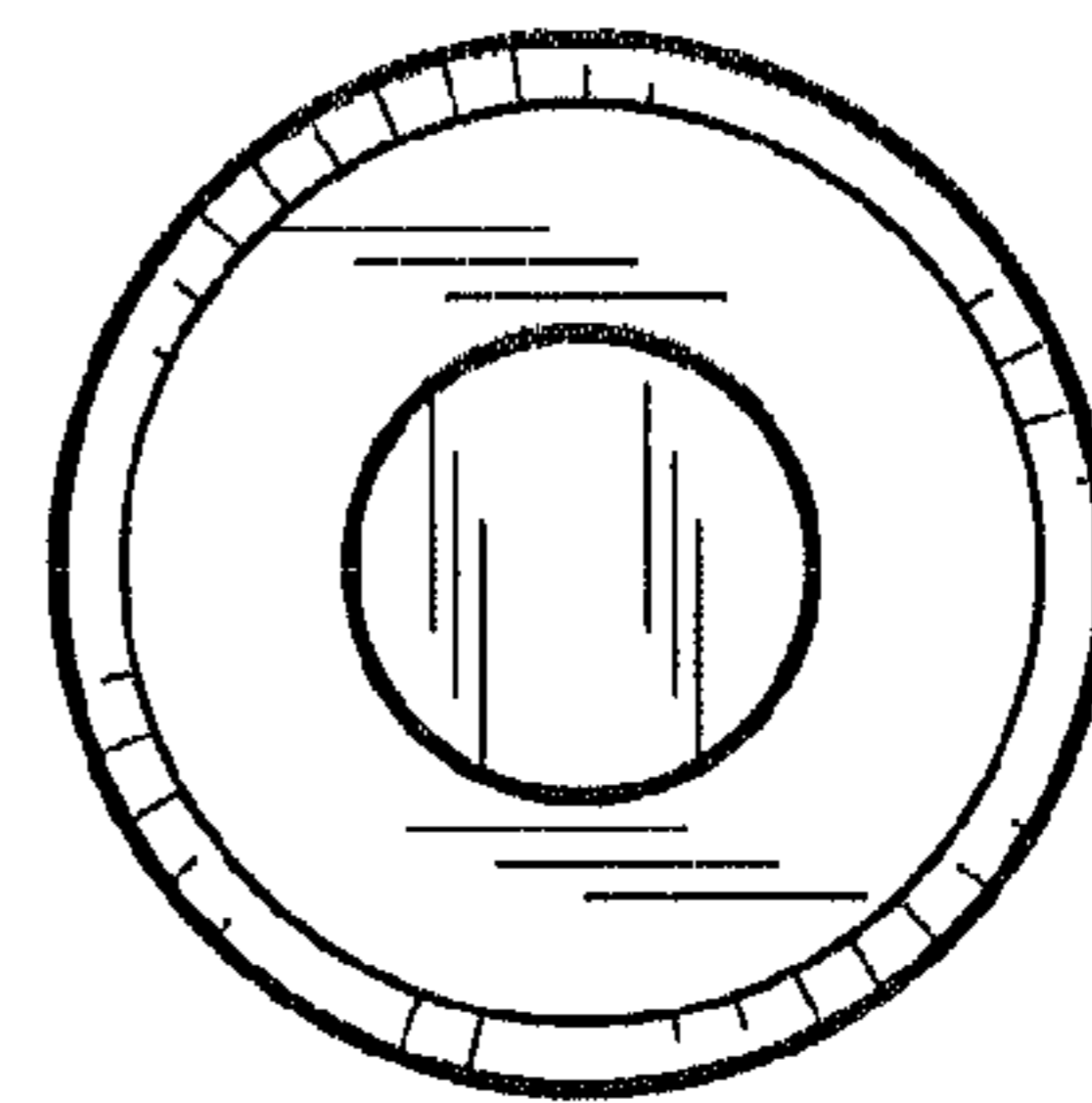


Fig. 6

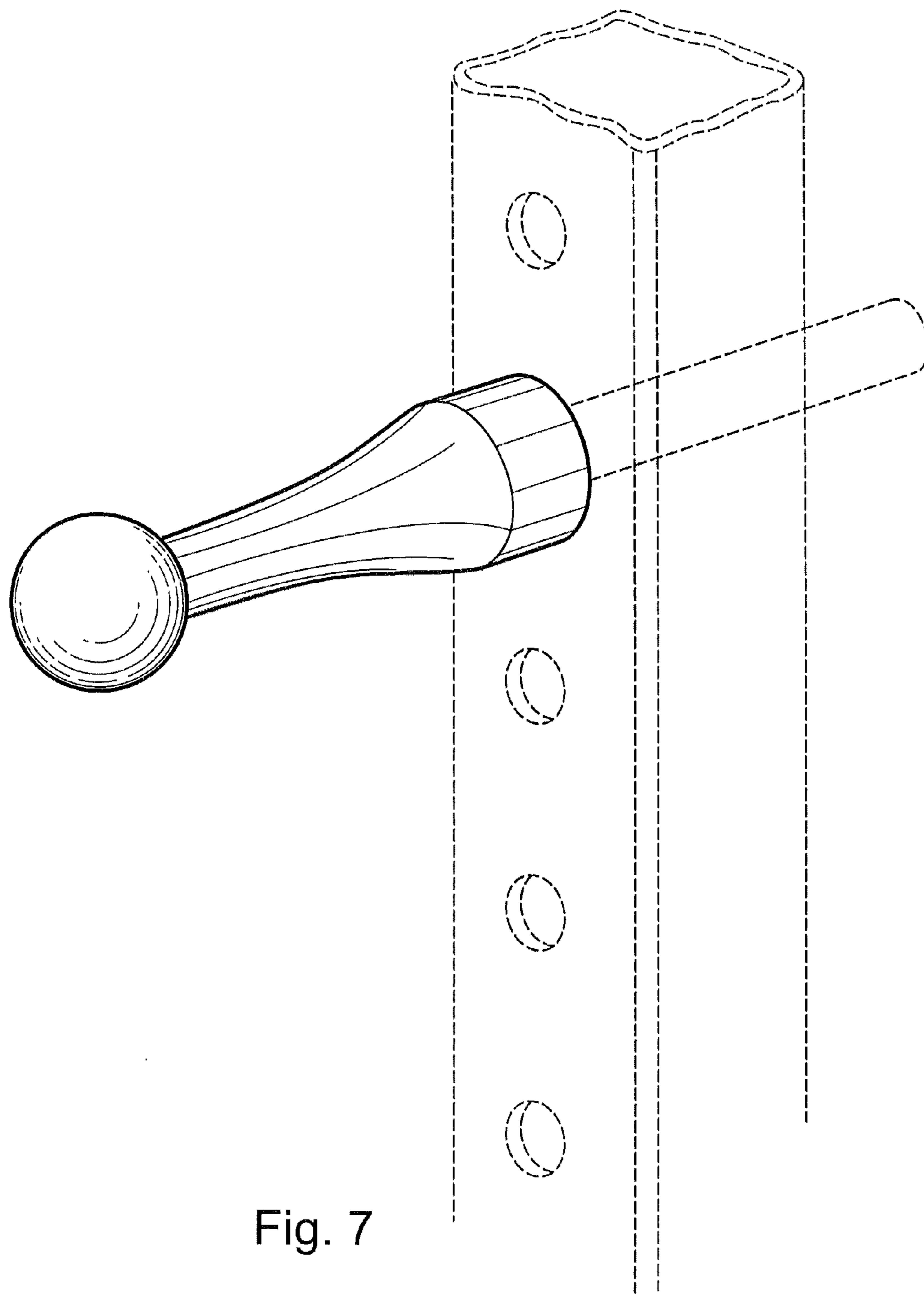


Fig. 7

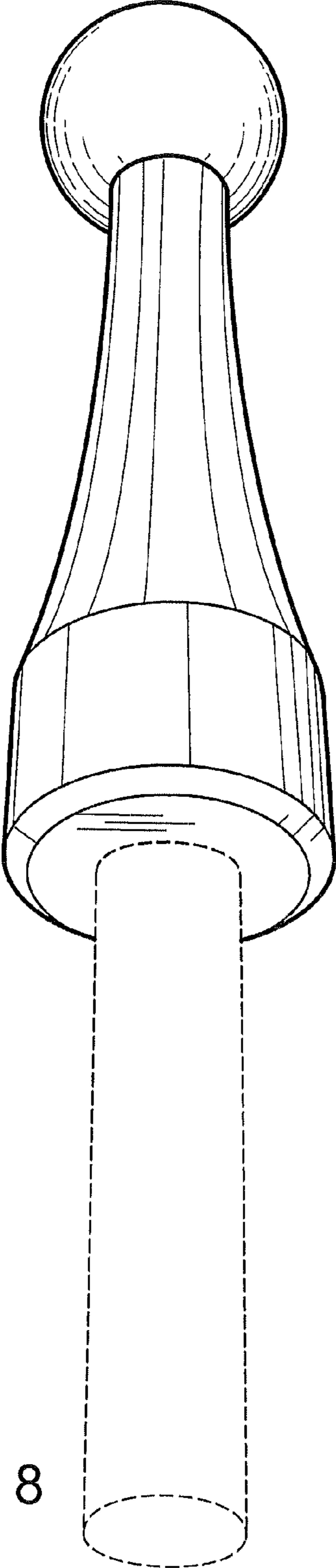


Fig. 8

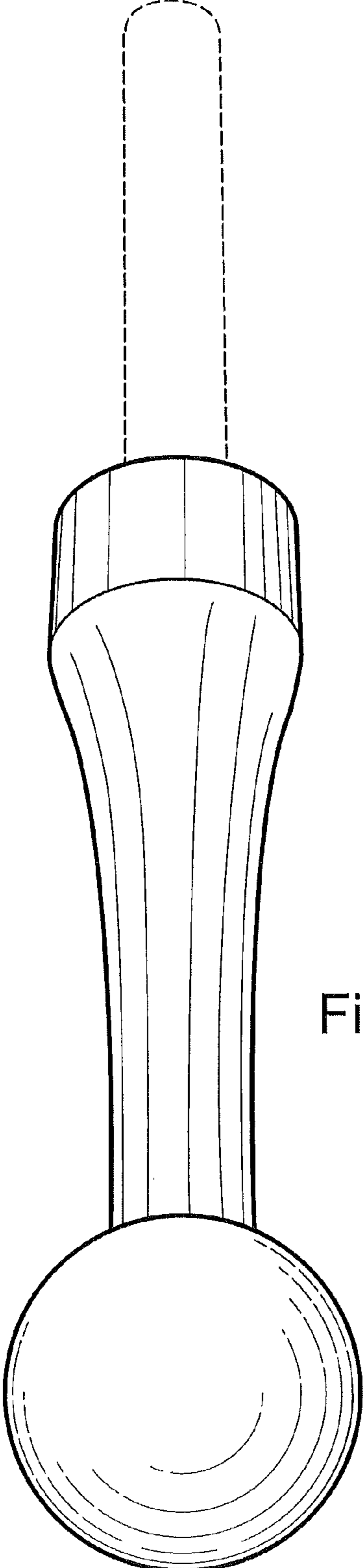


Fig. 9

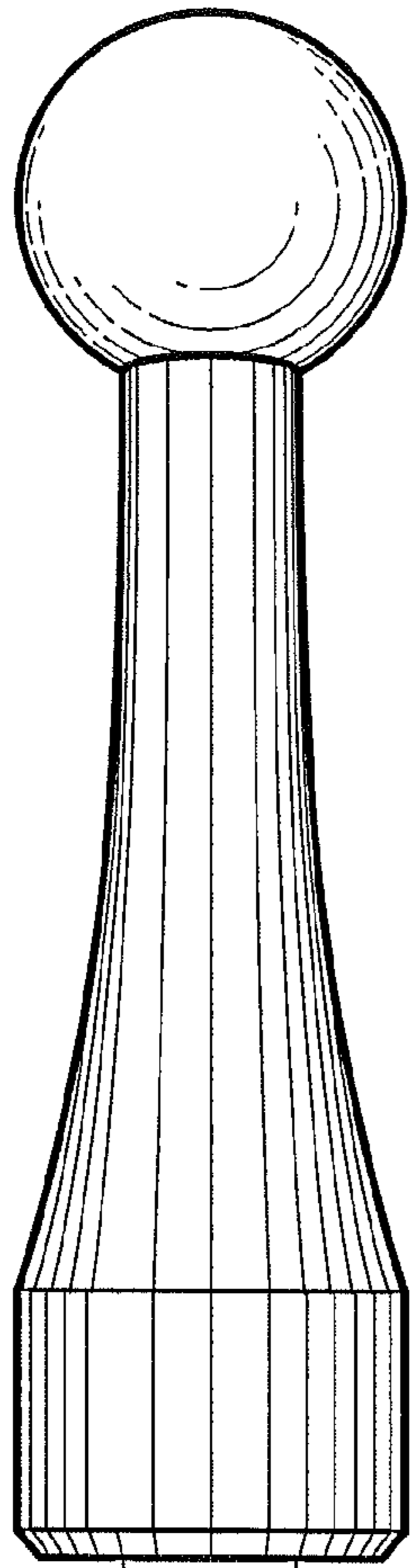


Fig. 10

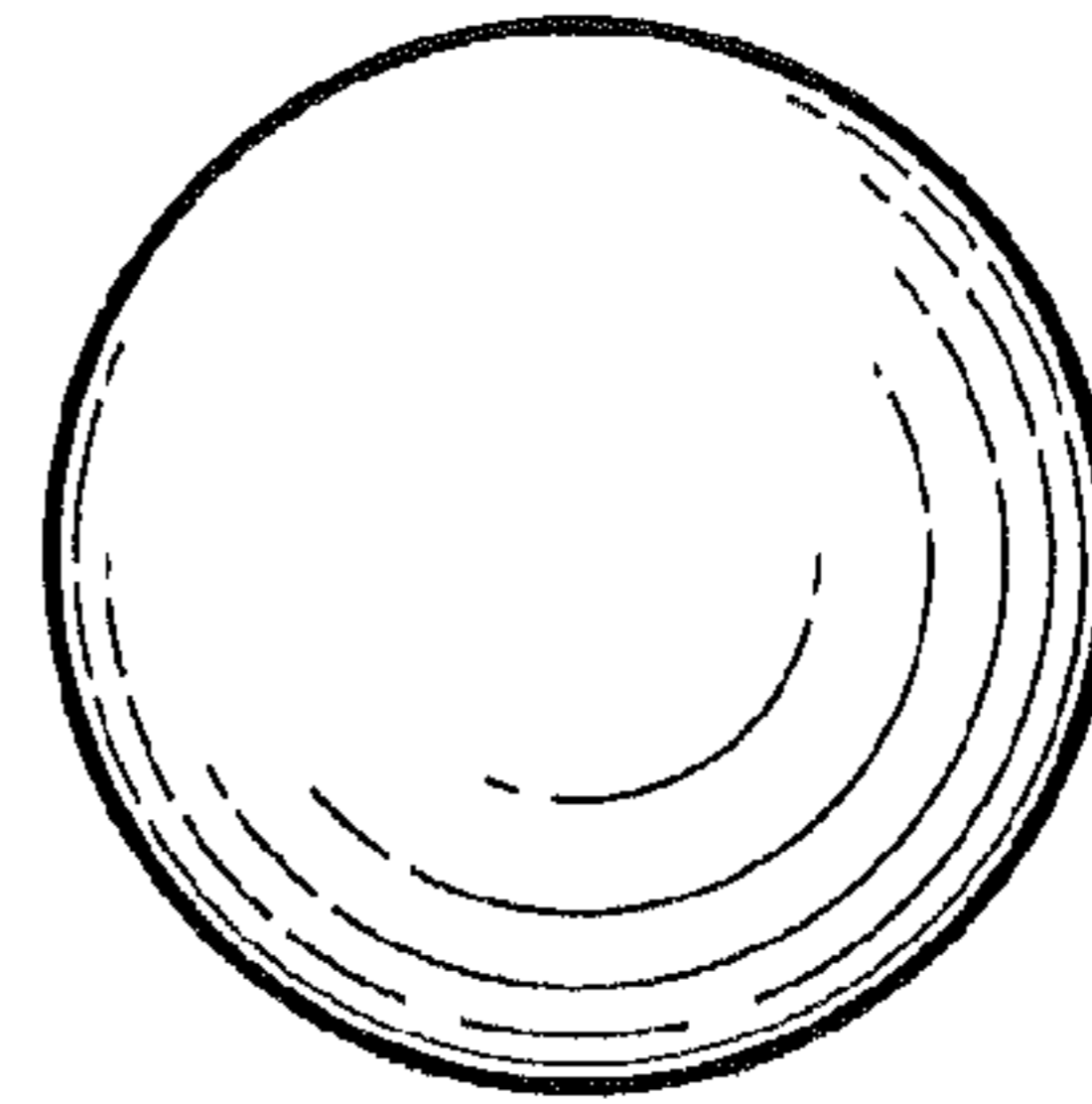


Fig. 11

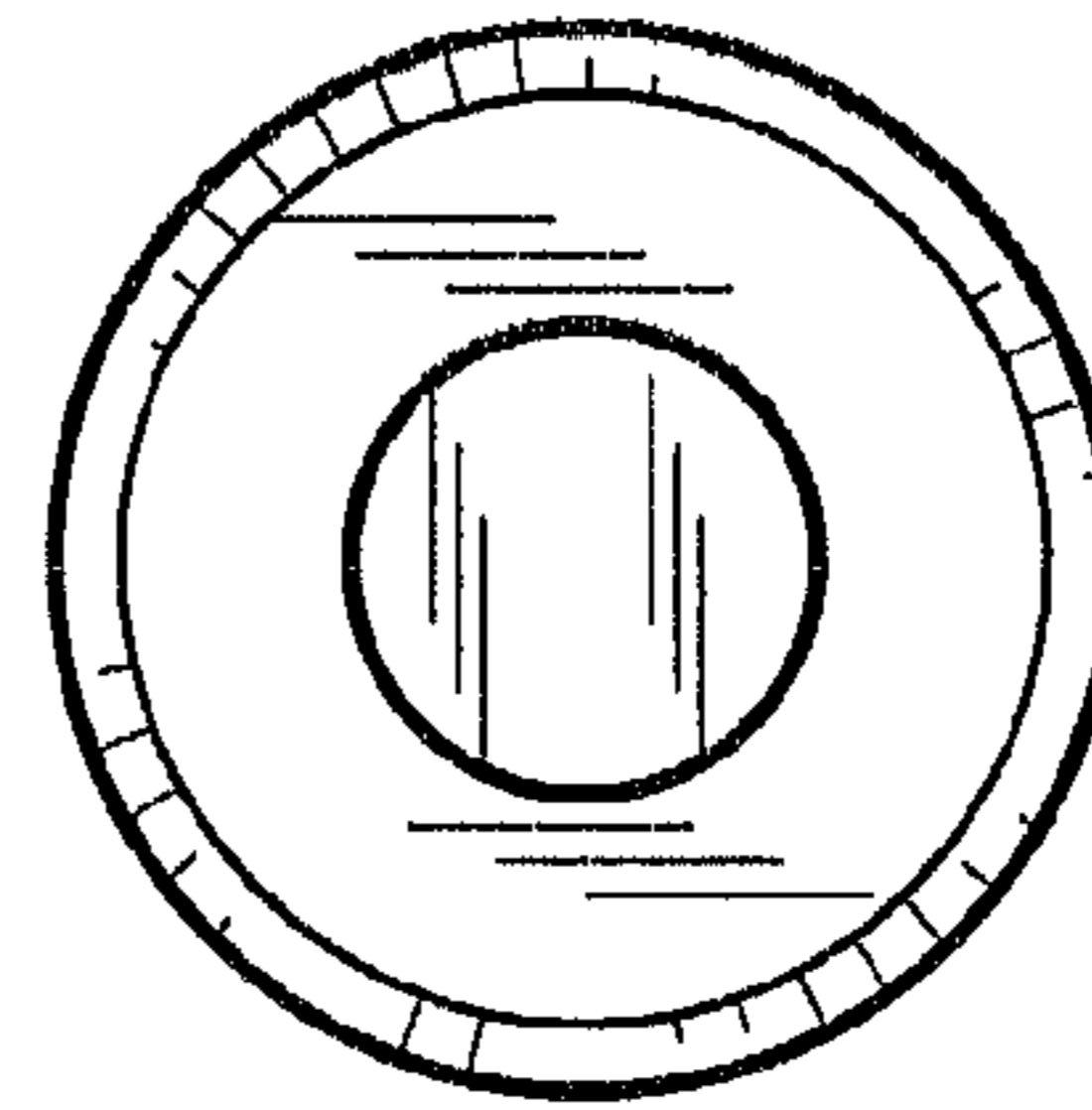


Fig. 12