



US00D701608S

(12) **United States Design Patent**
Baba

(10) **Patent No.:** **US D701,608 S**
(45) **Date of Patent:** **** Mar. 25, 2014**

(54) **PROBE FOR AN ULTRASONIC DIAGNOSIS APPARATUS**

(71) Applicants: **Kabushiki Kaisha Toshiba**, Tokyo (JP);
Toshiba Medical Systems Corporation,
Otawara (JP)

(72) Inventor: **Noriaki Baba**, Tokyo (JP)

(73) Assignees: **Kabushiki Kaisha Toshiba**, Tokyo (JP);
Toshiba Medical Systems Corporation,
Tochigi-Ken (JP)

(**) Term: **14 Years**

(21) Appl. No.: **29/462,391**

(22) Filed: **Aug. 2, 2013**

(30) **Foreign Application Priority Data**

Feb. 6, 2013 (JP) 2013-002238

(51) **LOC (10) Cl.** **24-01**

(52) **U.S. Cl.**
USPC **D24/187**

(58) **Field of Classification Search**
USPC D24/107, 144, 158, 164, 165, 167, 170,
D24/186-187, 231; D10/57, 60, 78, 80;
600/407, 461, 459; 378/98.7, 98.8, 189
See application file for complete search history.

(56) **References Cited**

U.S. PATENT DOCUMENTS

5,897,503 A * 4/1999 Lyon et al. 600/459
D596,299 S * 7/2009 Han et al. D24/186
D596,300 S * 7/2009 Han et al. D24/186
D598,108 S * 8/2009 Hasegawa D24/186
D609,352 S * 2/2010 Kitayama D24/186

D616,990 S * 6/2010 Suzuki D24/186
D616,991 S * 6/2010 Kitayama D24/186
D622,401 S * 8/2010 Suzuki D24/187
D634,849 S * 3/2011 Kanokogi et al. D24/187
D679,021 S * 3/2013 Tani et al. D24/187

FOREIGN PATENT DOCUMENTS

JP 1237581 4/2005
JP 1345102 11/2008
JP 1356808 4/2009
JP 1429841 12/2011
JP 1452418 10/2012

* cited by examiner

Primary Examiner — T. Chase Nelson

Assistant Examiner — Mark Cavanna

(74) *Attorney, Agent, or Firm* — Banner & Witcoff, Ltd

(57) **CLAIM**

The ornamental design for a probe for an ultrasonic diagnosis apparatus, as shown and described.

DESCRIPTION

FIG. 1 is a front, bottom and left side perspective view of a probe for an ultrasonic diagnosis apparatus, showing my new design;

FIG. 2 is a front, top and right side perspective view thereof;

FIG. 3 is a front view thereof;

FIG. 4 is a right side view thereof;

FIG. 5 is a left side view thereof;

FIG. 6 is a top view thereof;

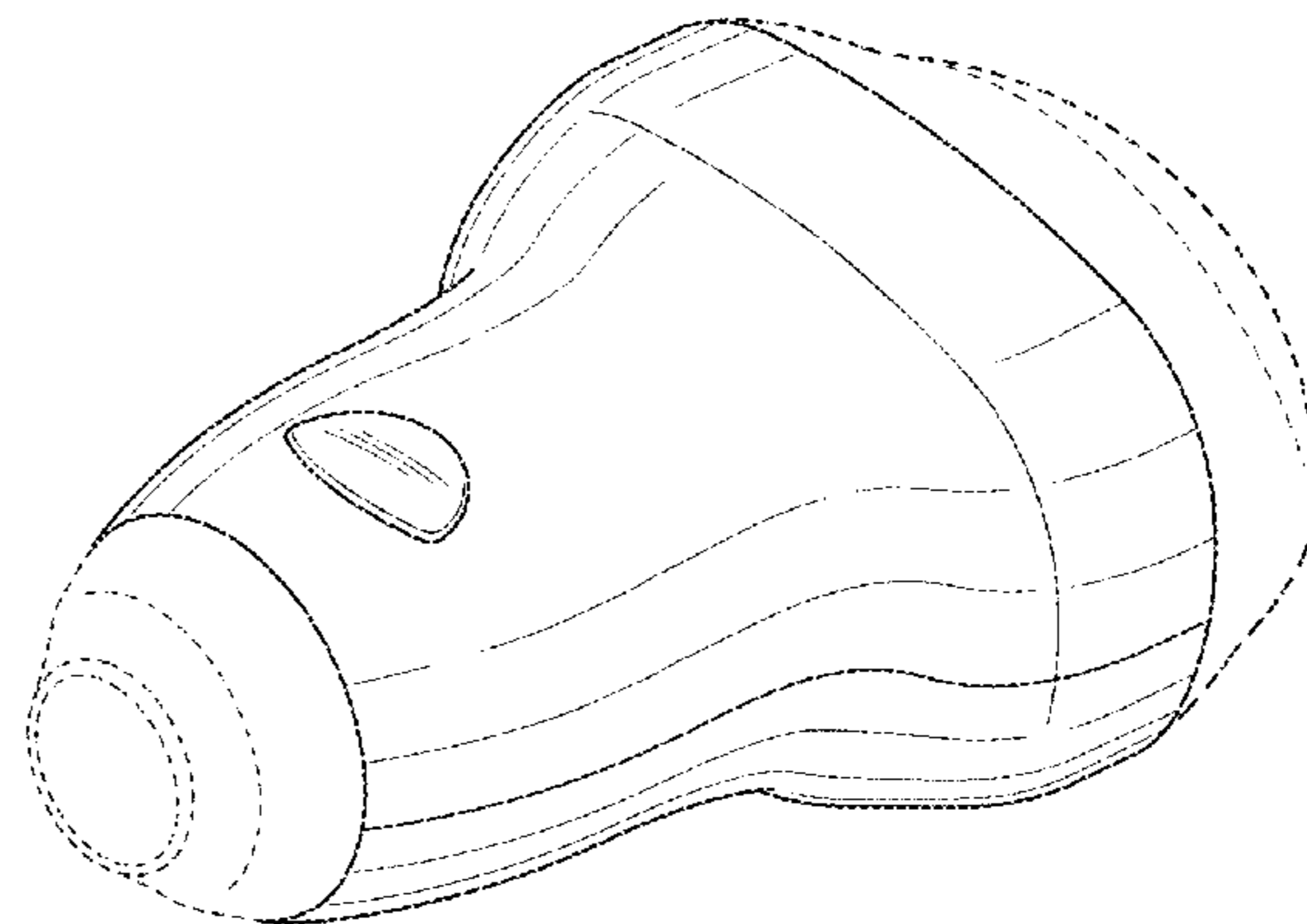
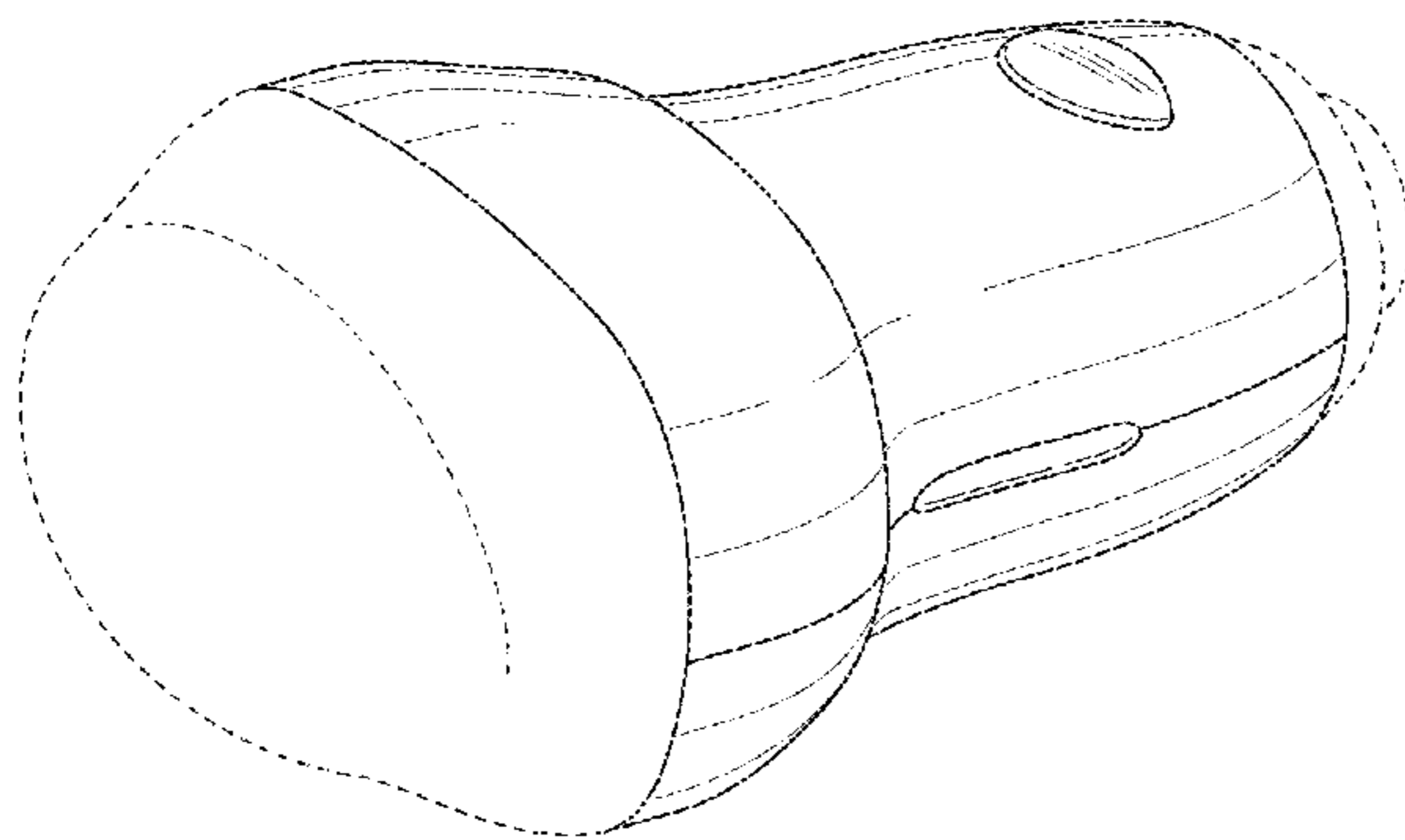
FIG. 7 is a bottom view thereof;

FIG. 8 is a rear view thereof; and,

FIG. 9 is a cross sectional view thereof, taken along the line 9-9 in FIG. 3, with its internal mechanisms omitted.

Portions in broken lines are for illustrative purposes only and form no part of the claimed design.

1 Claim, 4 Drawing Sheets



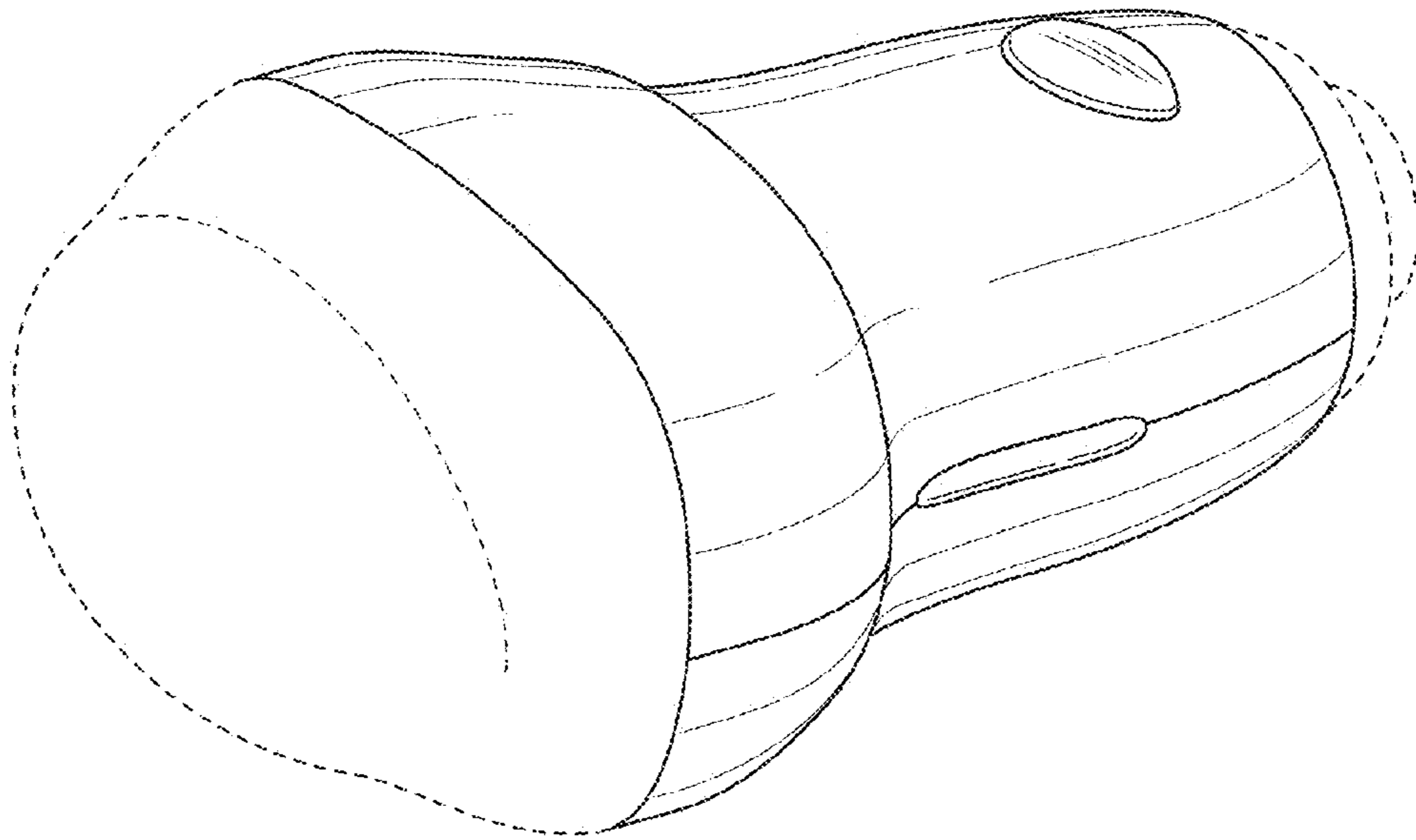


FIG. 1

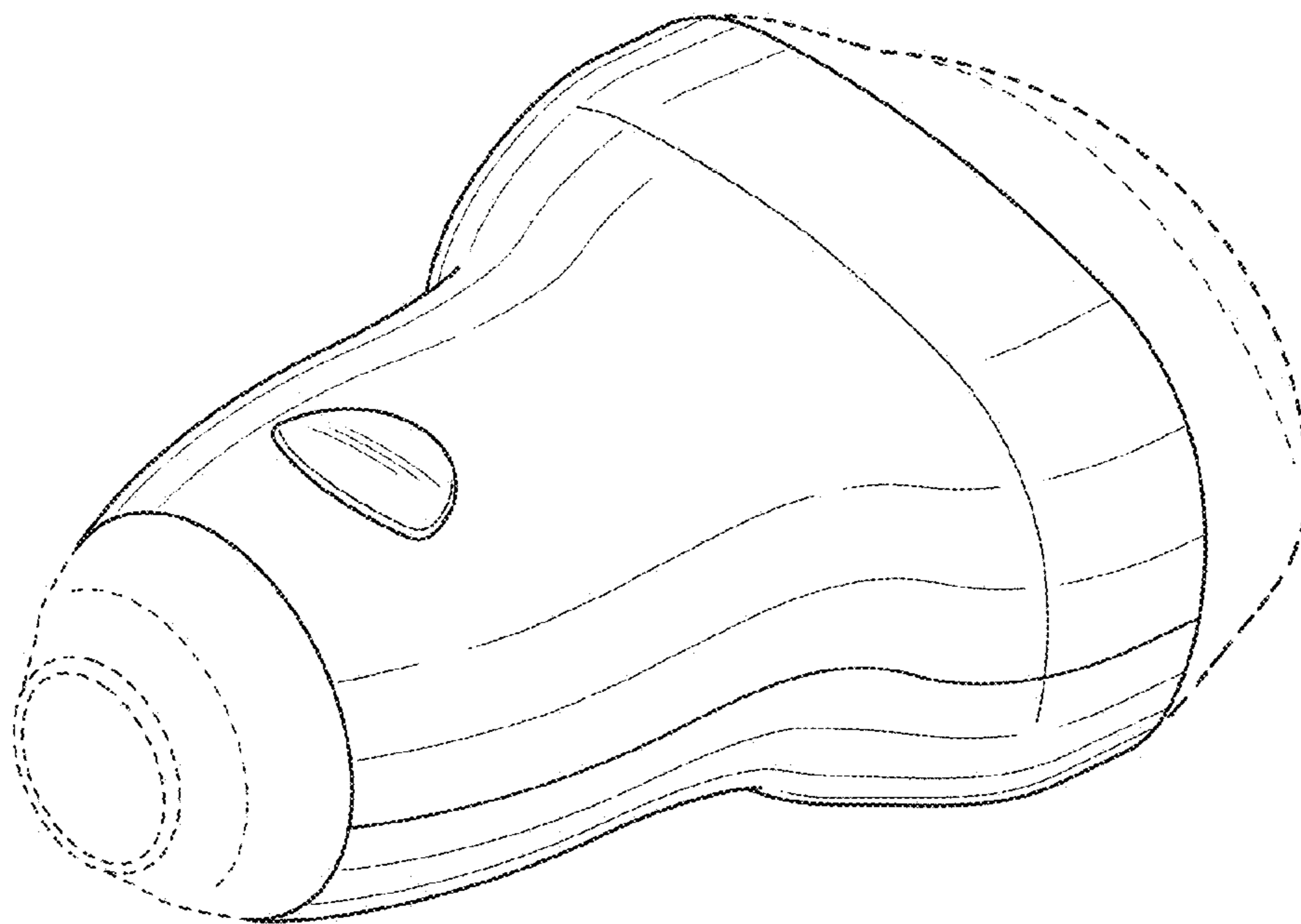


FIG. 2

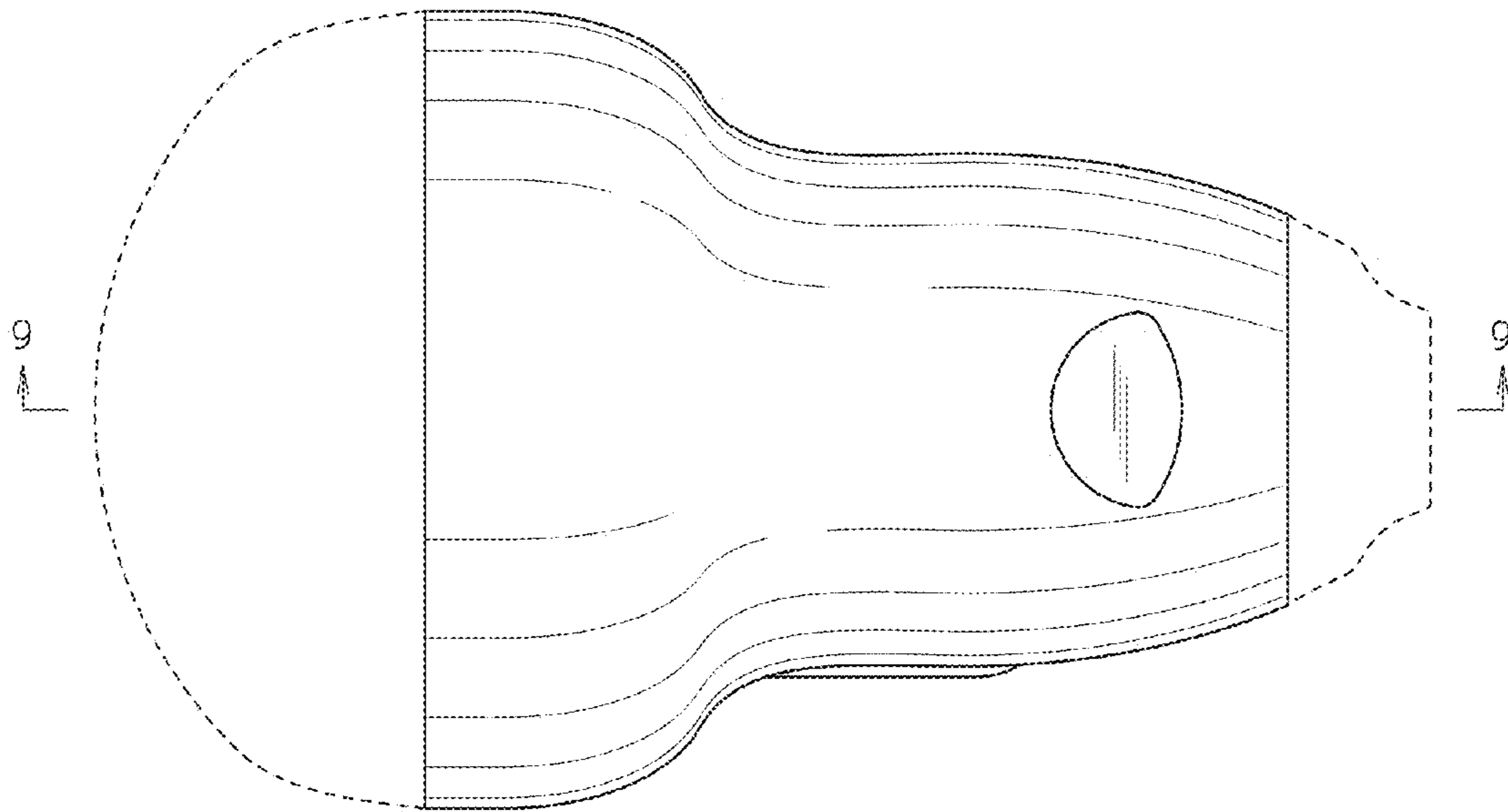


FIG. 3

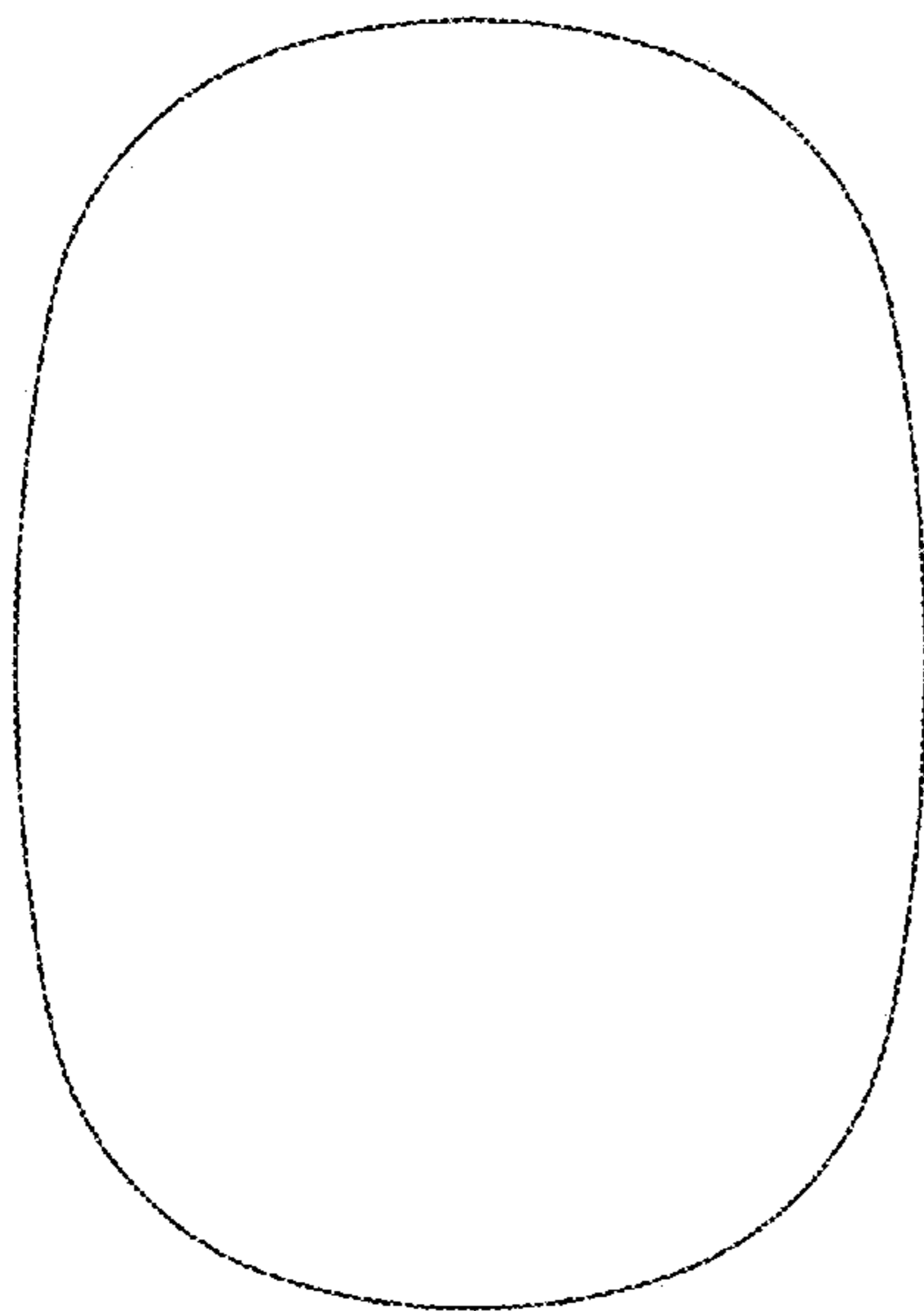


FIG. 5

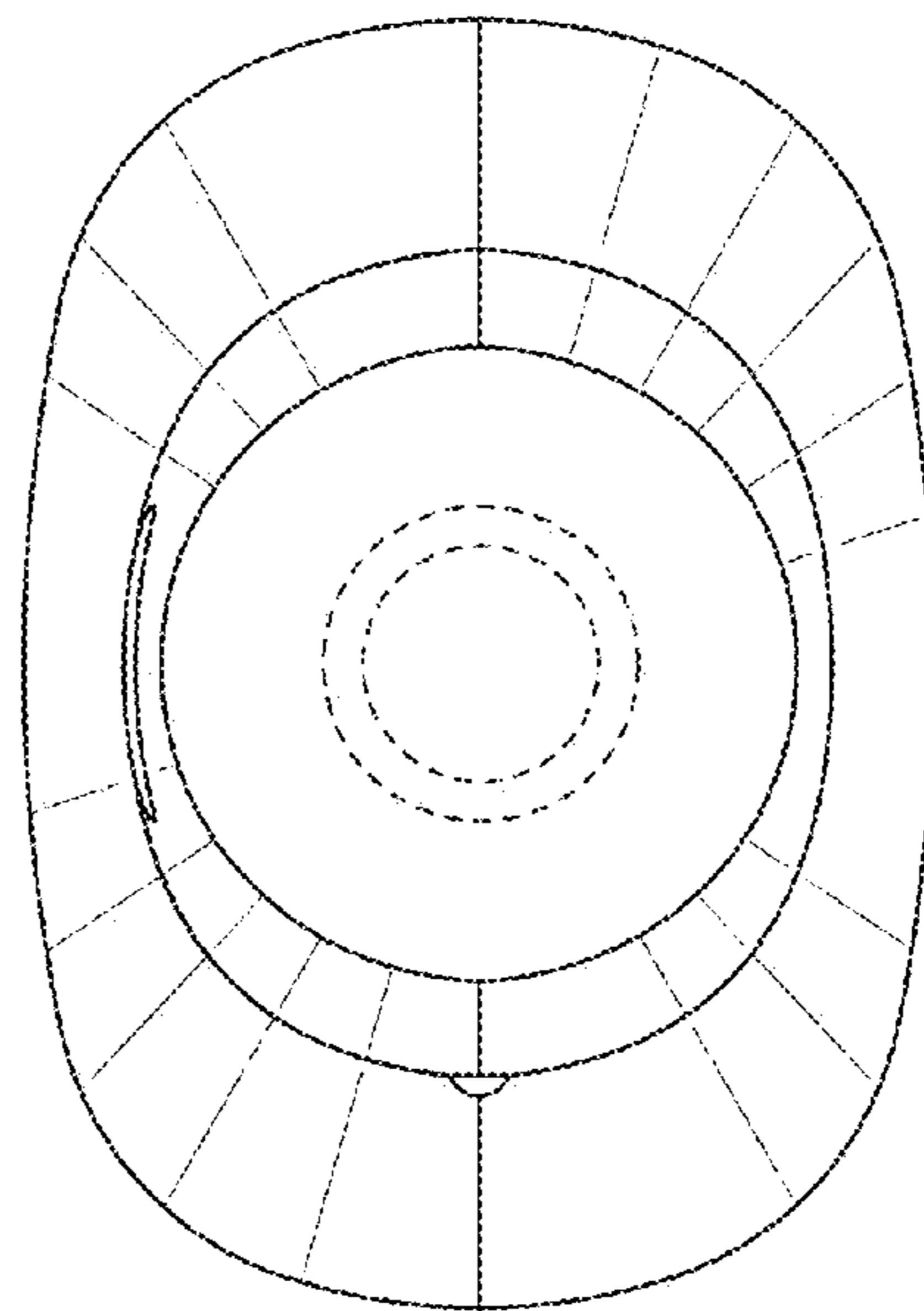


FIG. 4

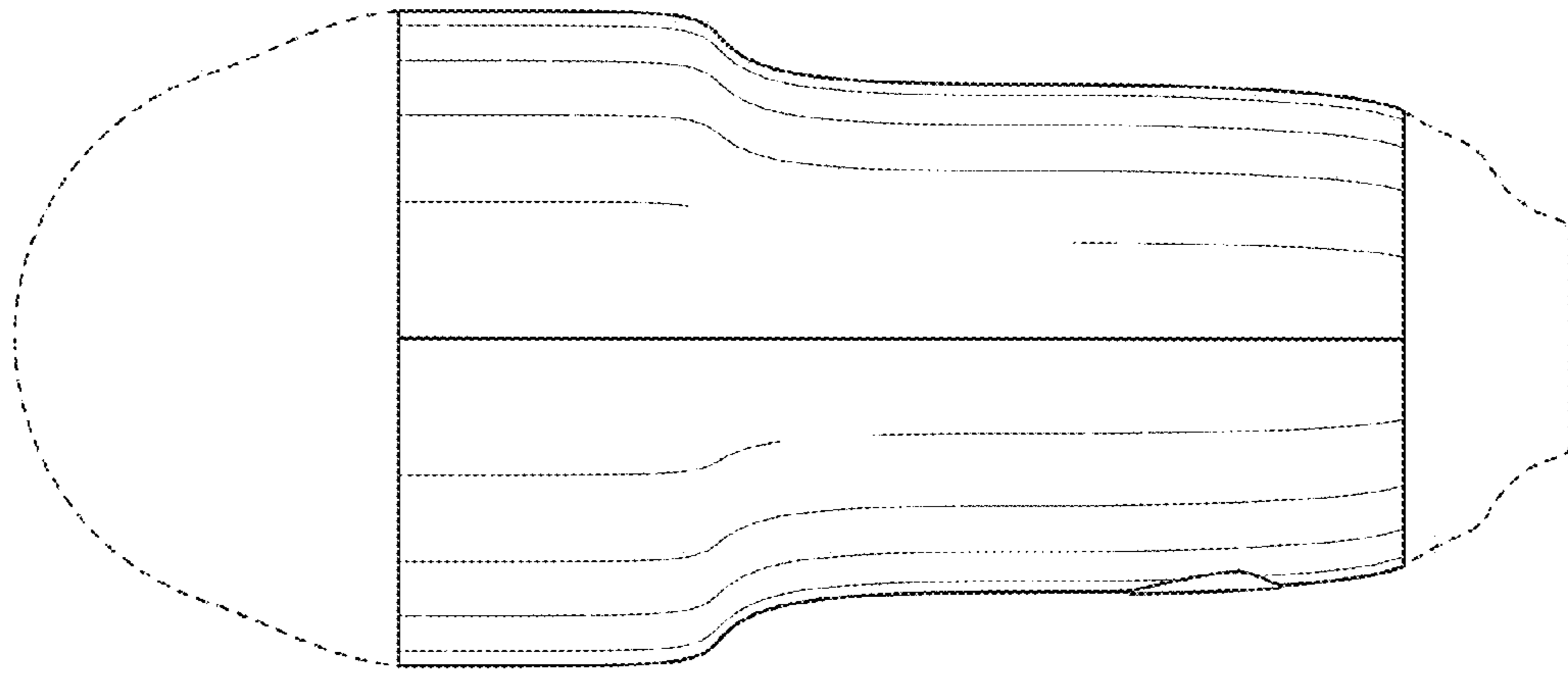


FIG. 6

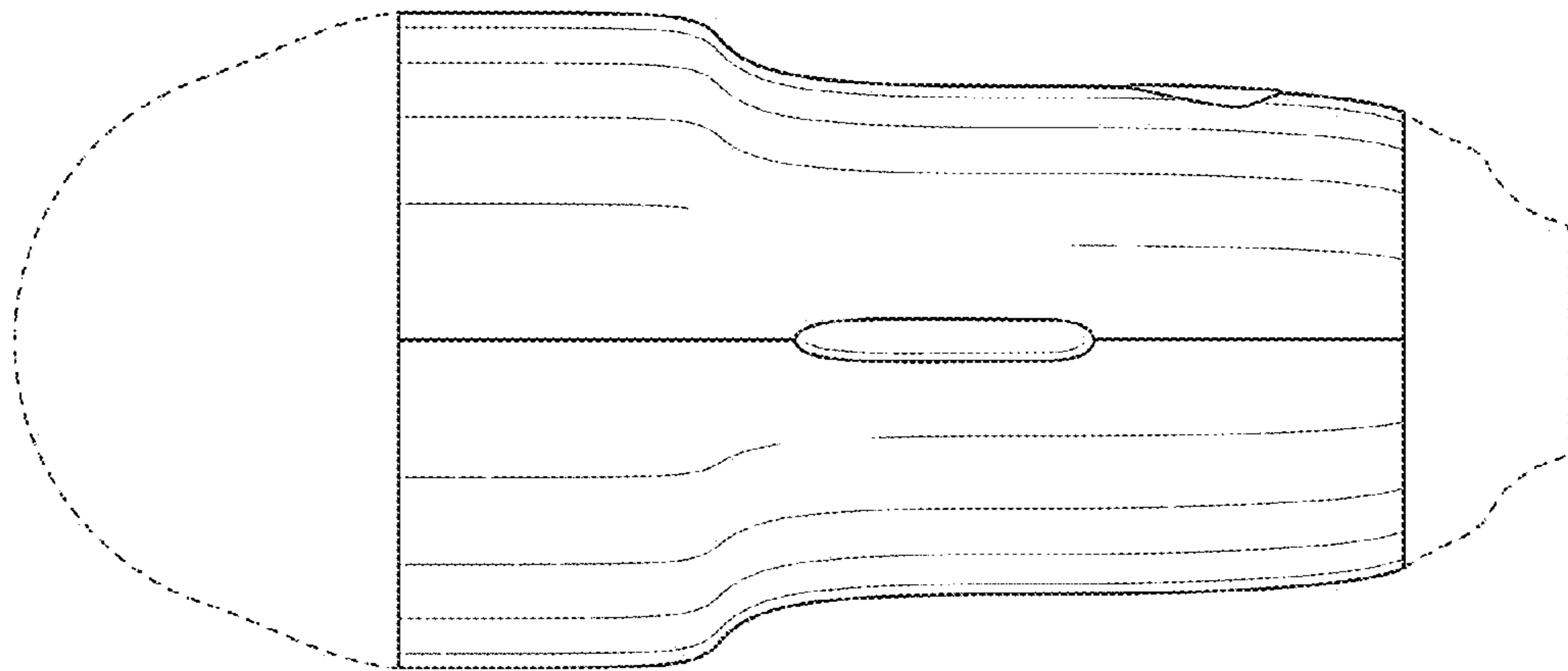


FIG. 7

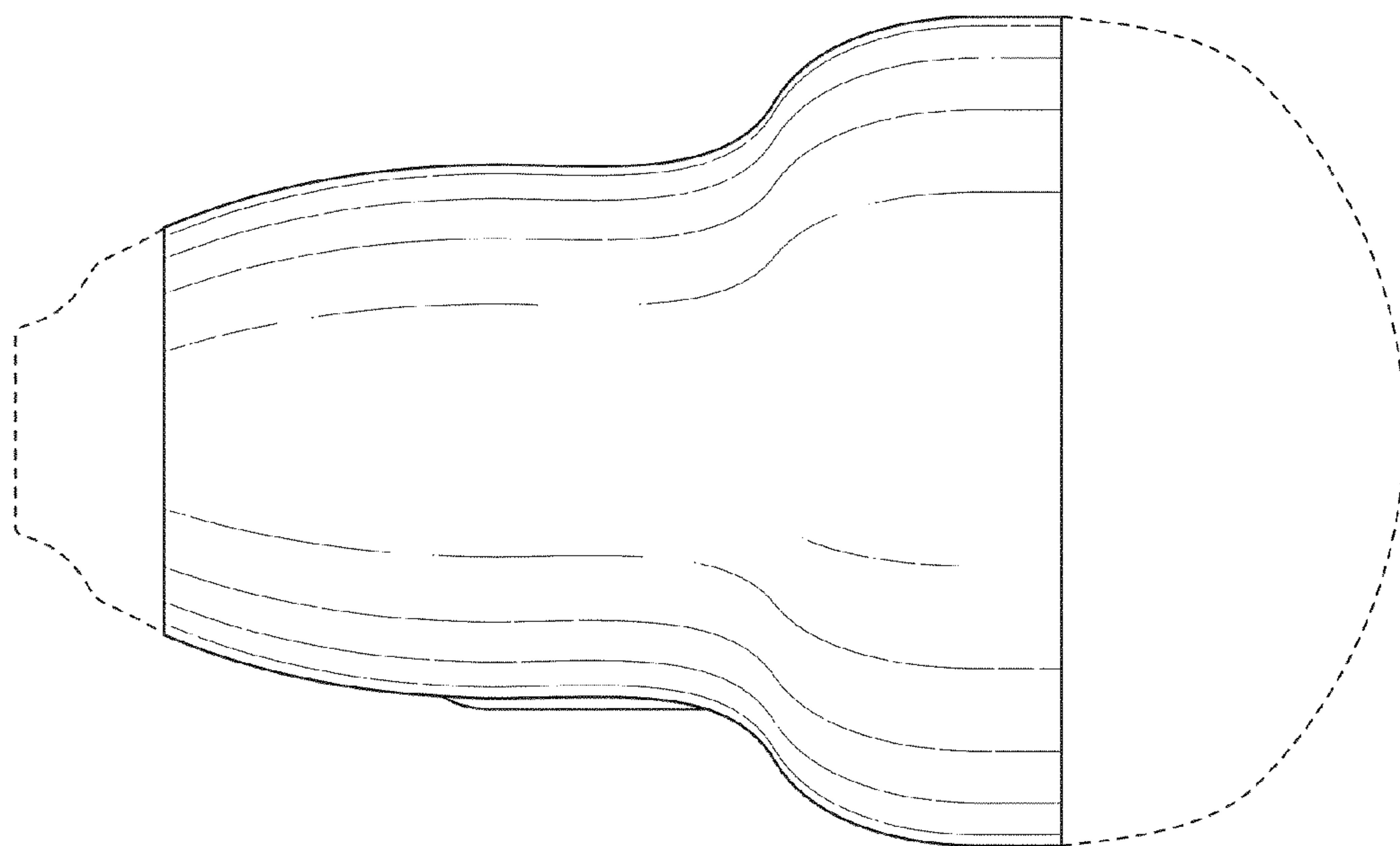


FIG. 8

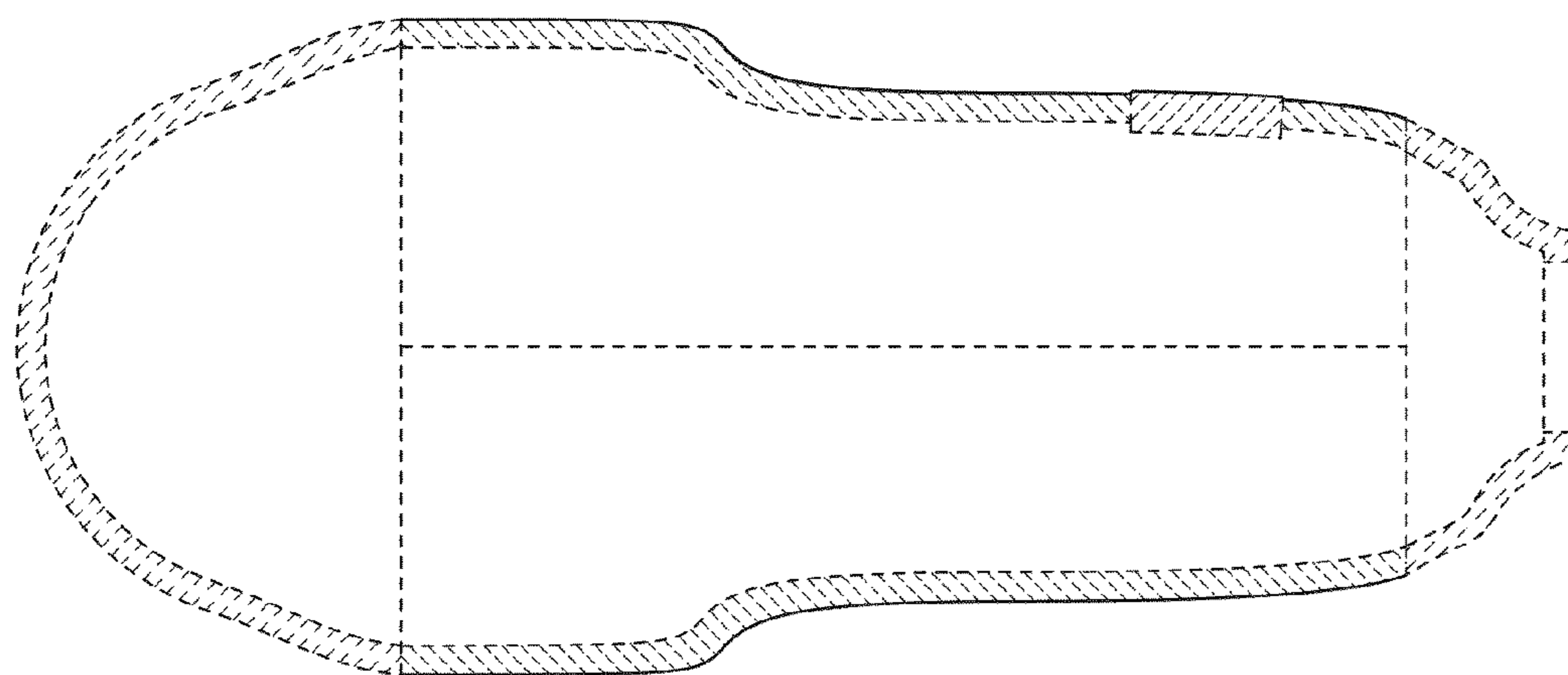


FIG. 9