



US00D701605S

(12) **United States Design Patent**
Ohmukai

(10) **Patent No.:** **US D701,605 S**
(45) **Date of Patent:** **** Mar. 25, 2014**

(54) **BED FOR MAGNETIC RESONANCE
TOMOGRAPHY DIAGNOSIS APPARATUS**

D246,880 S * 1/1978 Miola D24/183
D249,359 S * 9/1978 Stott et al. D24/183
4,865,303 A * 9/1989 Hall 5/614

(71) Applicants: **Kabushiki Kaisha Toshiba**, Tokyo (JP);
Toshiba Medical Systems Corporation,
Otagawa (JP)

(Continued)

(72) Inventor: **Shinya Ohmukai**, Tokyo (JP)

FOREIGN PATENT DOCUMENTS

(73) Assignees: **Kabushiki Kaisha Toshiba**, Tokyo (JP);
Toshiba Medical Systems Corporation,
Tochigi-Ken (JP)

JP 1033459 3/1999
JP 1241676 6/2005
JP 1312226 10/2007
JP 1370712 3/2010

(**) Term: **14 Years**

Primary Examiner — T. Chase Nelson

Assistant Examiner — Mark Cavanna

(21) Appl. No.: **29/455,315**

(74) *Attorney, Agent, or Firm* — Banner & Witcoff, Ltd

(22) Filed: **May 20, 2013**

(57) **CLAIM**

The ornamental design for a bed for magnetic resonance tomography diagnosis apparatus, as shown and described.

(30) **Foreign Application Priority Data**

DESCRIPTION

Nov. 21, 2012 (JP) 2012-028447

(51) **LOC (10) Cl.** **24-01**

(52) **U.S. Cl.**
USPC **D24/183**

(58) **Field of Classification Search**
USPC D24/183-184, 200, 158-159;
D6/595-596, 601, 604-605, 336-337,
D6/345, 369, 367, 452; 5/110-111,
5/431-437, 600-602, 639-640, 507.1,
5/611-614, 619, 637; 601/11, 652-654;
108/36; 297/330; 312/209

See application file for complete search history.

FIG. 1 is a front perspective view of a bed for magnetic resonance tomography diagnosis apparatus, showing my new design;

FIG. 2 is a rear perspective view thereof with a top bed plate shown in an alternate extended position;

FIG. 3 is a front elevational view thereof; the opposite side being a mirror image thereof;

FIG. 4 is a top plan view thereof;

FIG. 5 is a left side elevational view thereof;

FIG. 6 is a right side elevational view thereof;

FIG. 7 is a bottom plan view thereof;

FIG. 8 is a cross sectional view thereof, taken along the line 8-8 in FIG. 4 with its internal mechanisms omitted;

FIG. 9 is a cross sectional view thereof, taken along the line 9-9 in FIG. 3 with its internal mechanisms omitted;

FIG. 10 is a cross sectional view thereof, taken along the line 10-10 in FIG. 3 with its internal mechanisms omitted; and, FIG. 11 is a front elevational view thereof with a bed shown in an alternate lowered position.

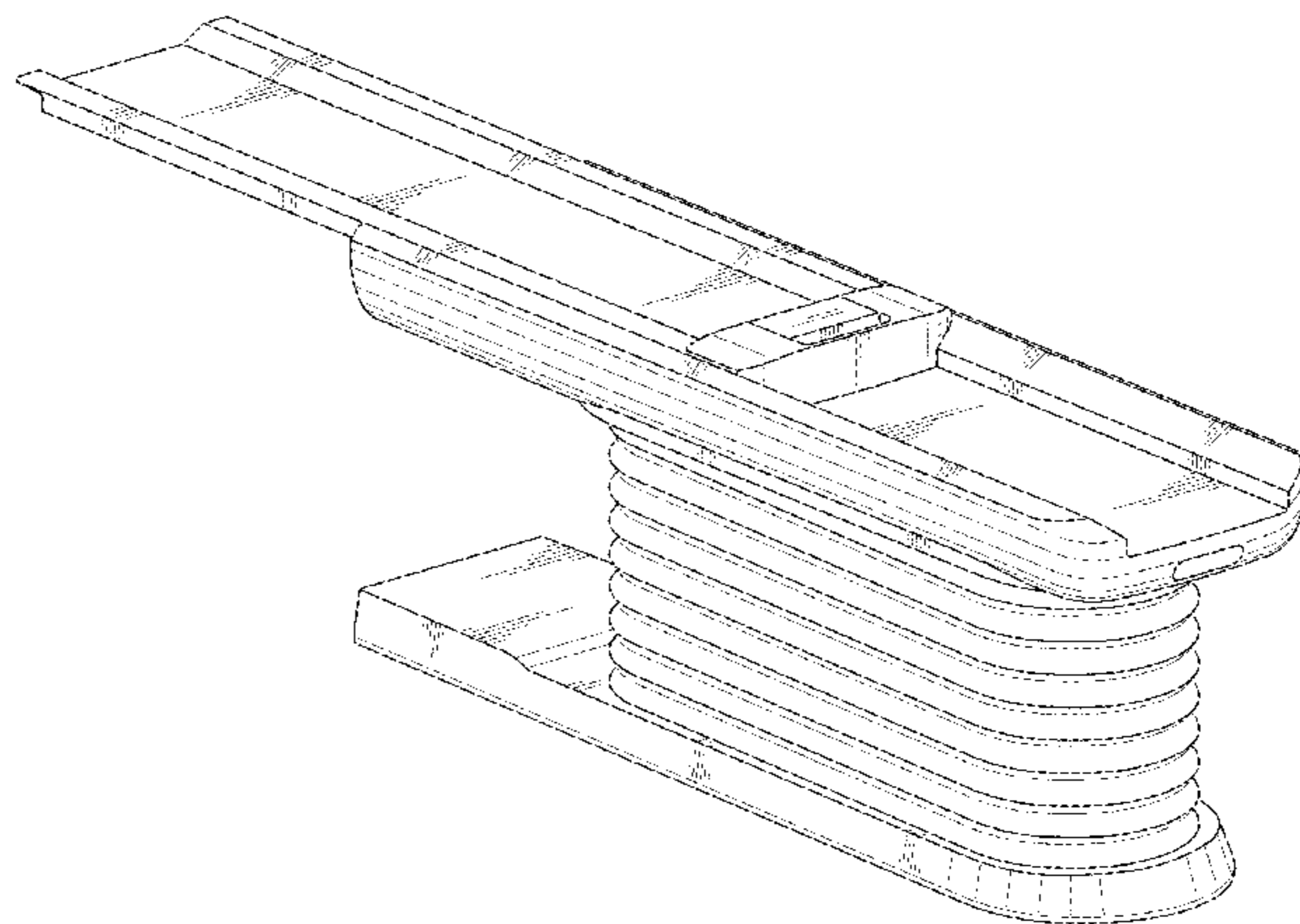
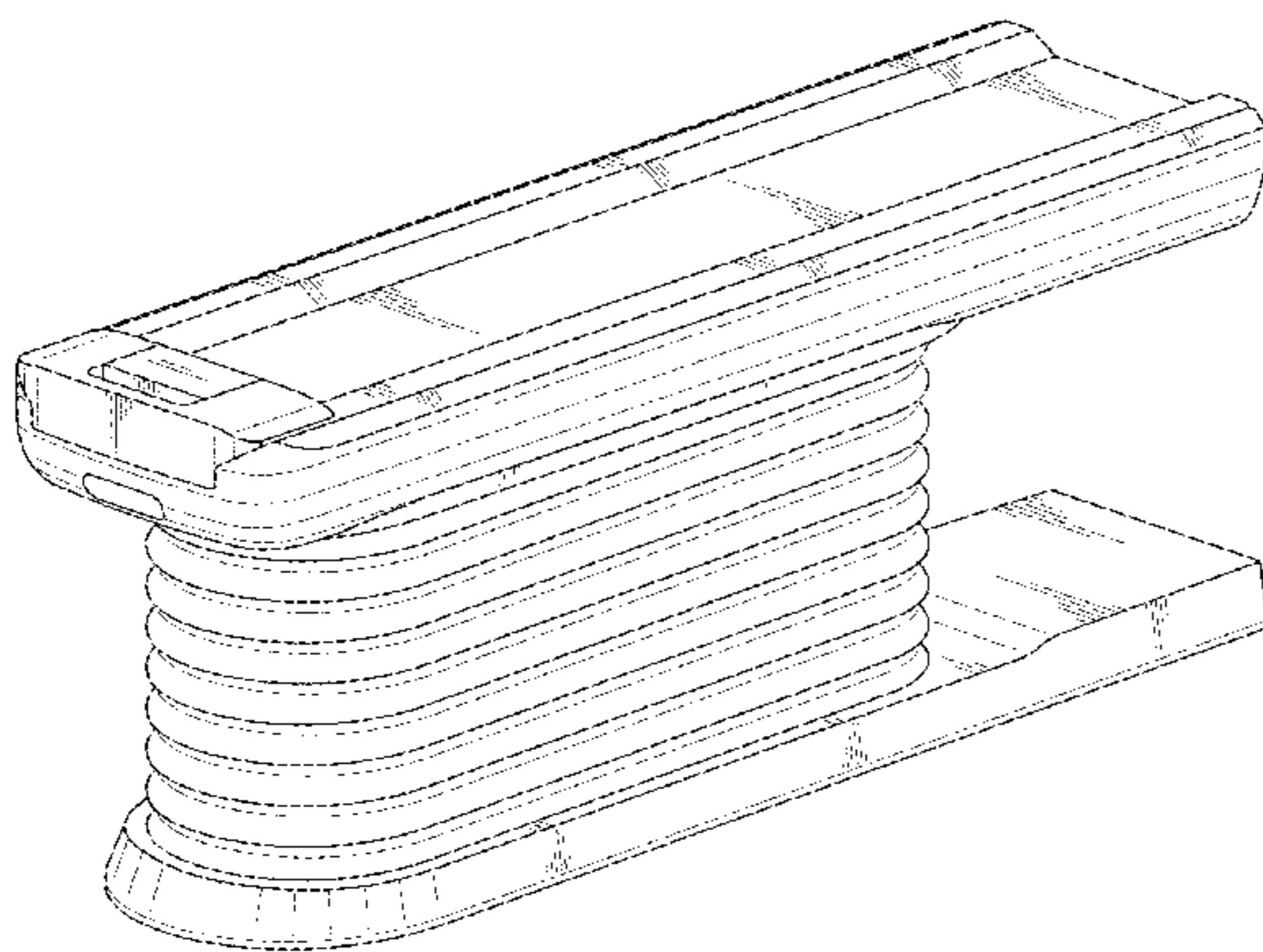
The broken lines shown in FIG. 8-10 are for environmental purposes only and form no part of the claimed design.

(56) **References Cited**

U.S. PATENT DOCUMENTS

2,306,031 A * 12/1942 Anderson et al. 5/602
3,411,766 A * 11/1968 Lanigan 5/619
3,980,288 A * 9/1976 Mitchell et al. 5/601

1 Claim, 10 Drawing Sheets



(56)

References Cited

U.S. PATENT DOCUMENTS

D344,802 S *	3/1994	Kuck et al.	D24/183	D533,278 S *	12/2006	Luginbuhl et al.	D24/159
D407,819 S *	4/1999	Markoll	D24/183	D553,246 S *	10/2007	Banryu	D24/183
D439,670 S *	3/2001	Sommer	D24/183	D553,379 S *	10/2007	Genelli	D6/367
D441,868 S *	5/2001	Rodenas		D555,243 S *	11/2007	Linev	D24/158
		Santiago et al.	D24/183	7,299,512 B2 *	11/2007	Cavalier et al.	5/600
D453,968 S *	2/2002	Zachrisson	D24/183	D583,953 S *	12/2008	Genelli	D24/183
D462,445 S *	9/2002	Barde et al.	D24/183	D583,954 S *	12/2008	Genelli	D24/183
D527,459 S *	8/2006	Gireesh	D24/183	D681,208 S *	4/2013	Ninomiya et al.	D24/159
				2004/0148703 A1 *	8/2004	Doering et al.	5/610
				2005/0125896 A1 *	6/2005	Cavalier et al.	5/600
				2007/0107125 A1 *	5/2007	Koch et al.	5/600

* cited by examiner

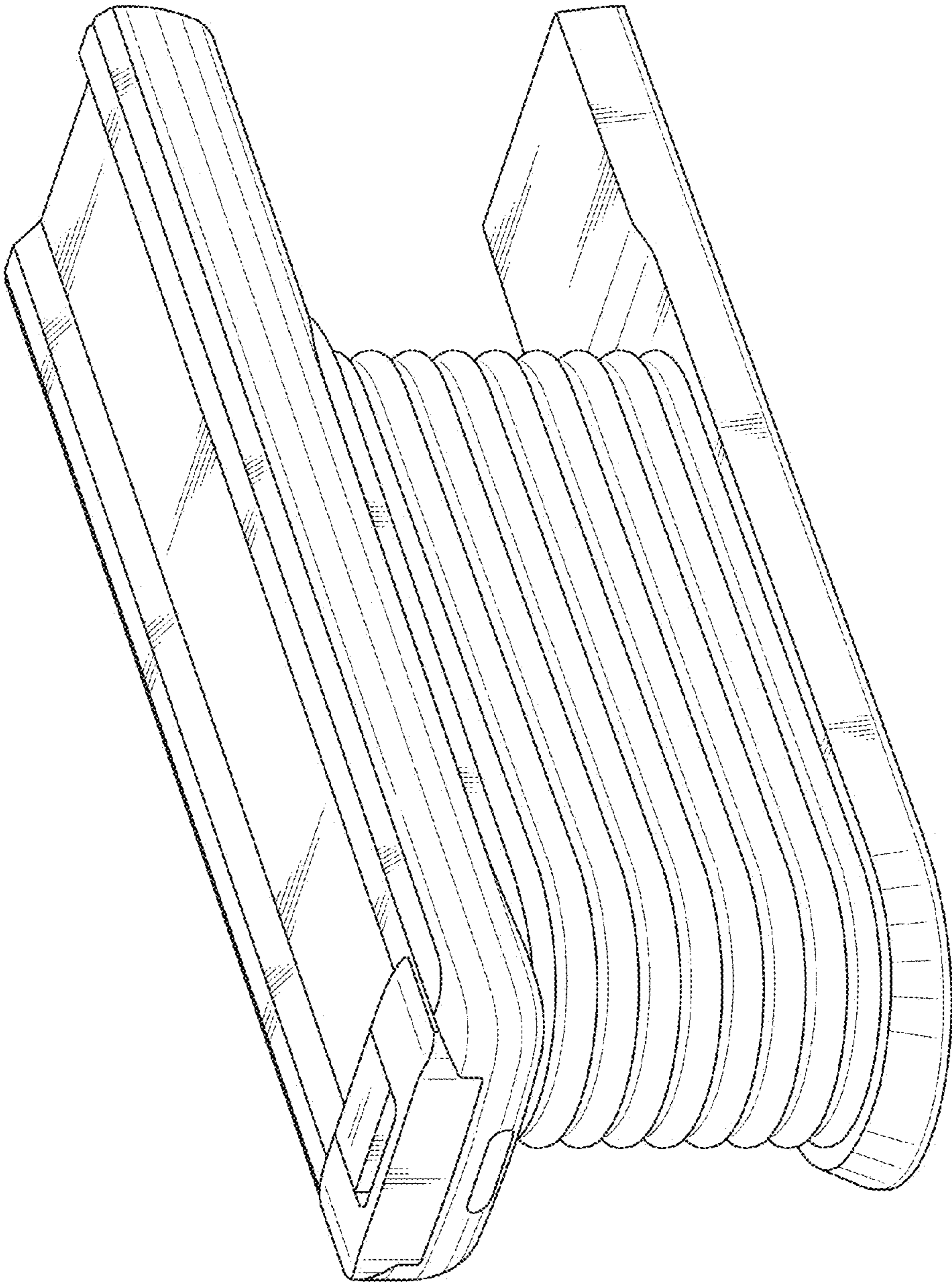


FIG. 1

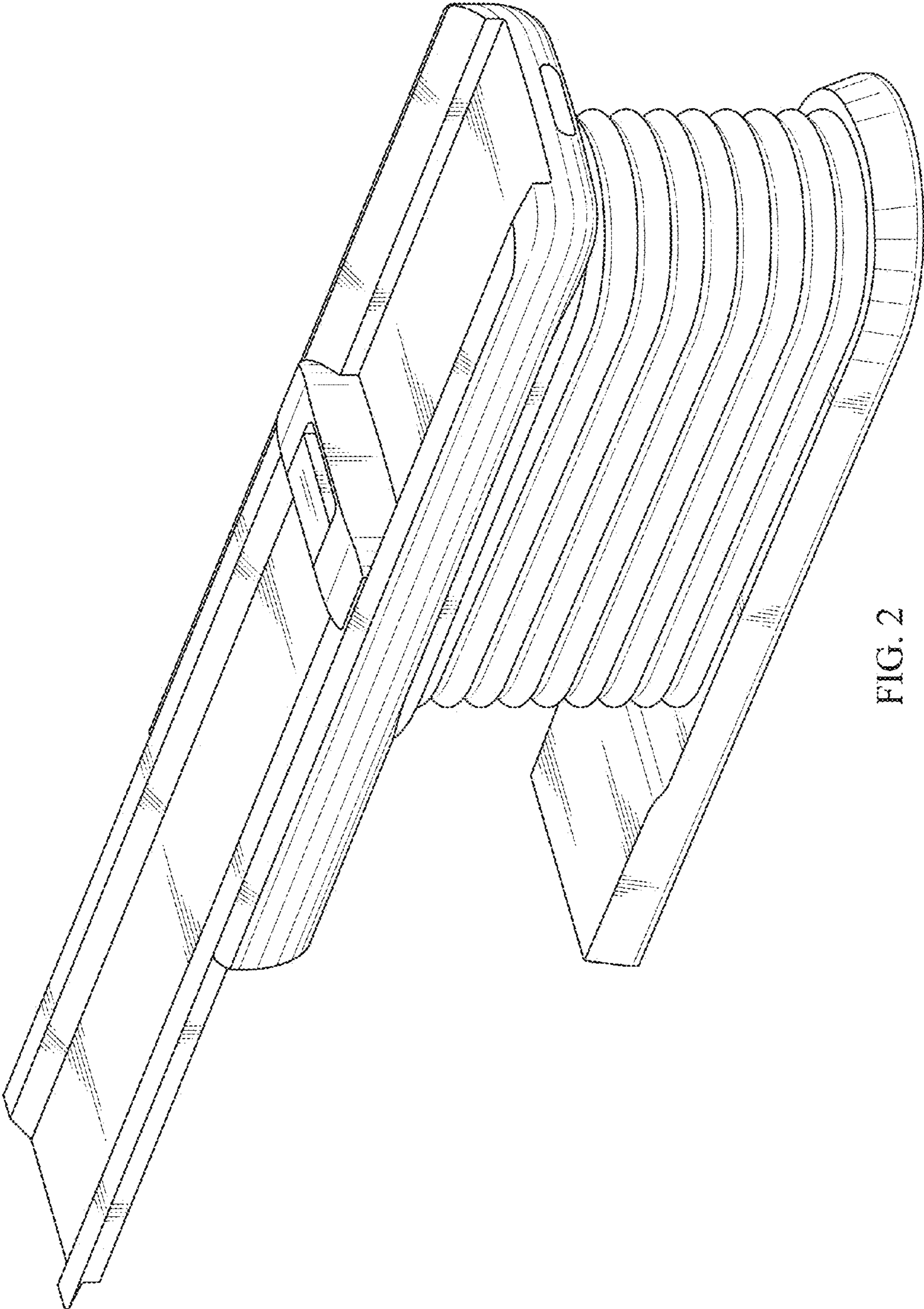


FIG. 2

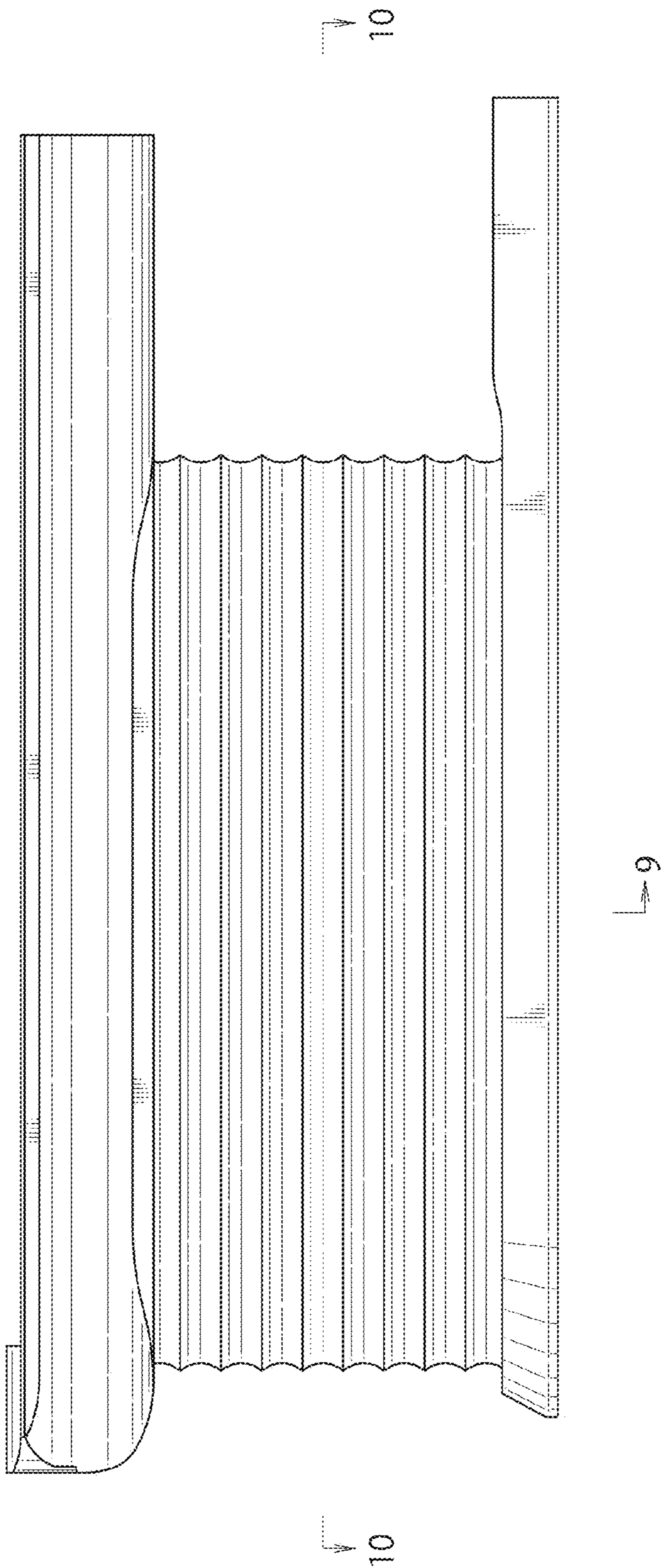


FIG. 3

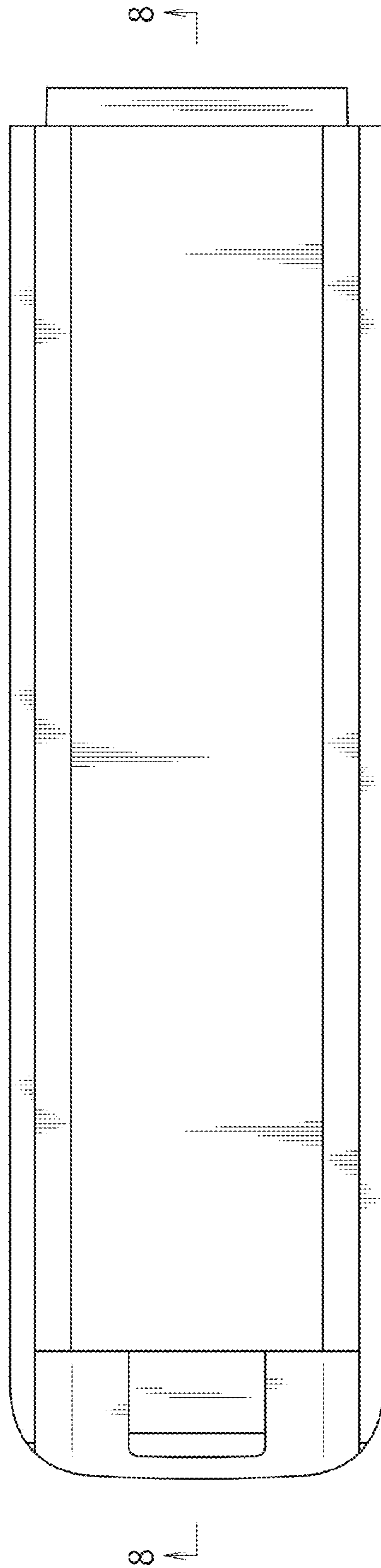


FIG. 4

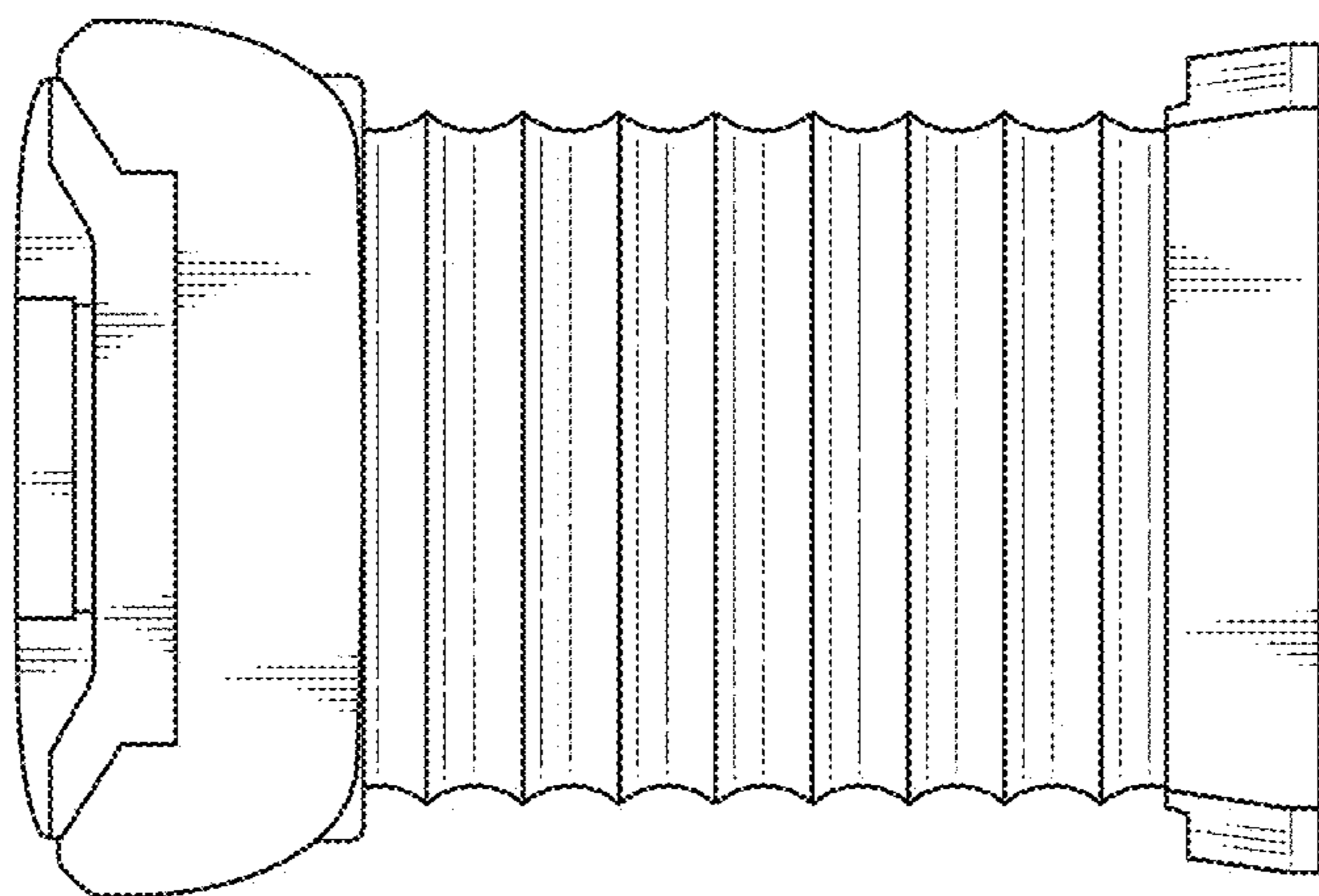


FIG. 6

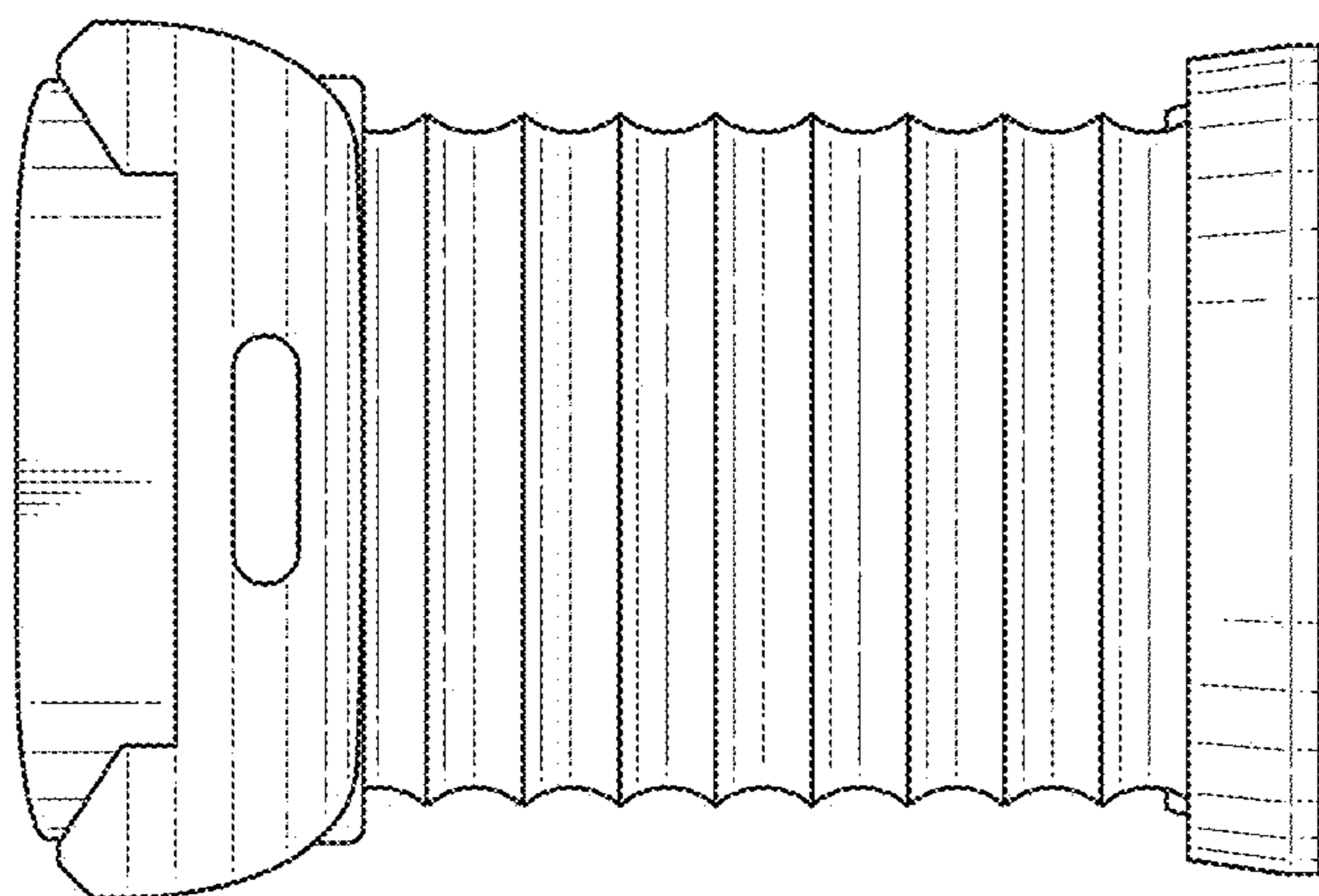


FIG. 5

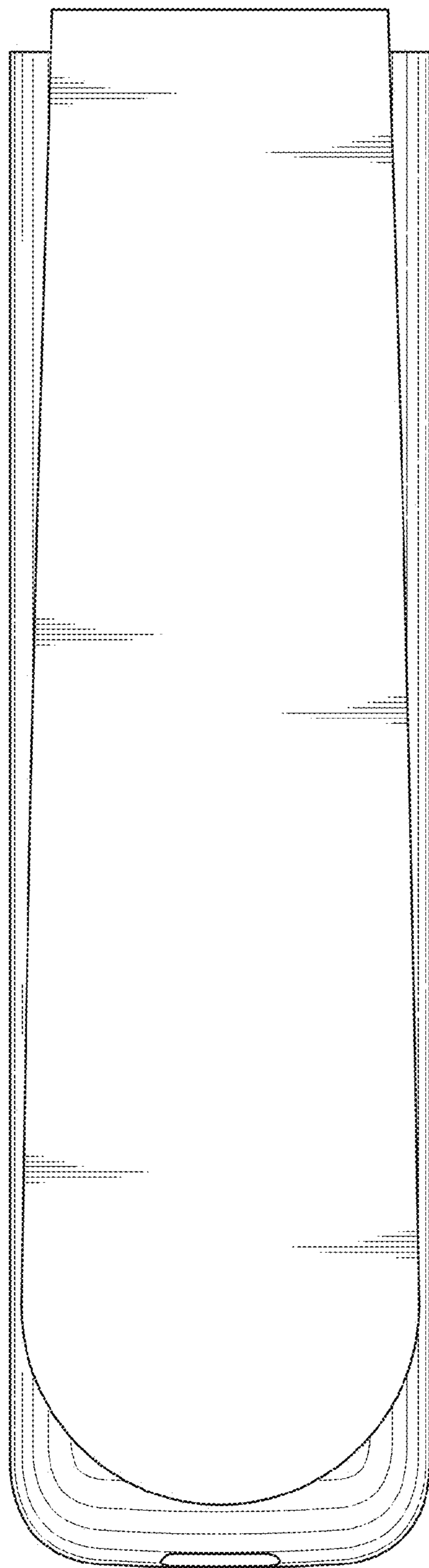


FIG. 7

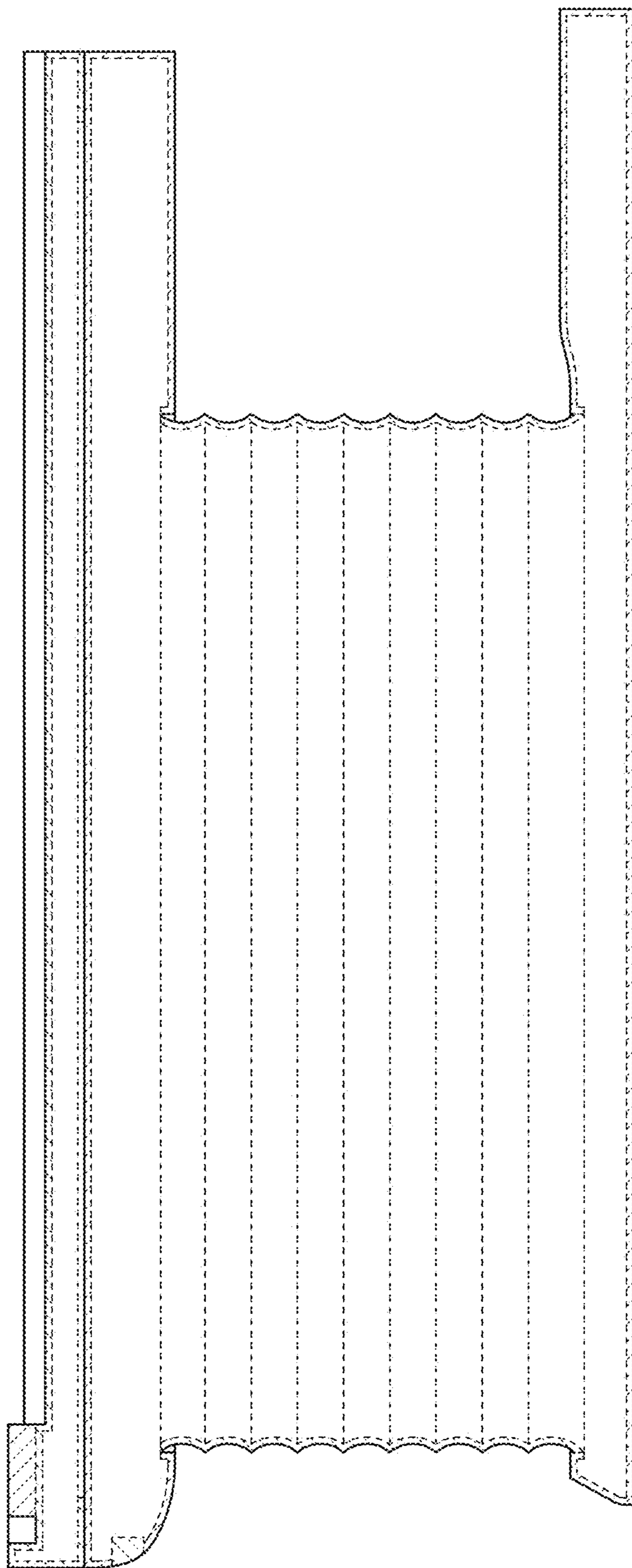


FIG. 8

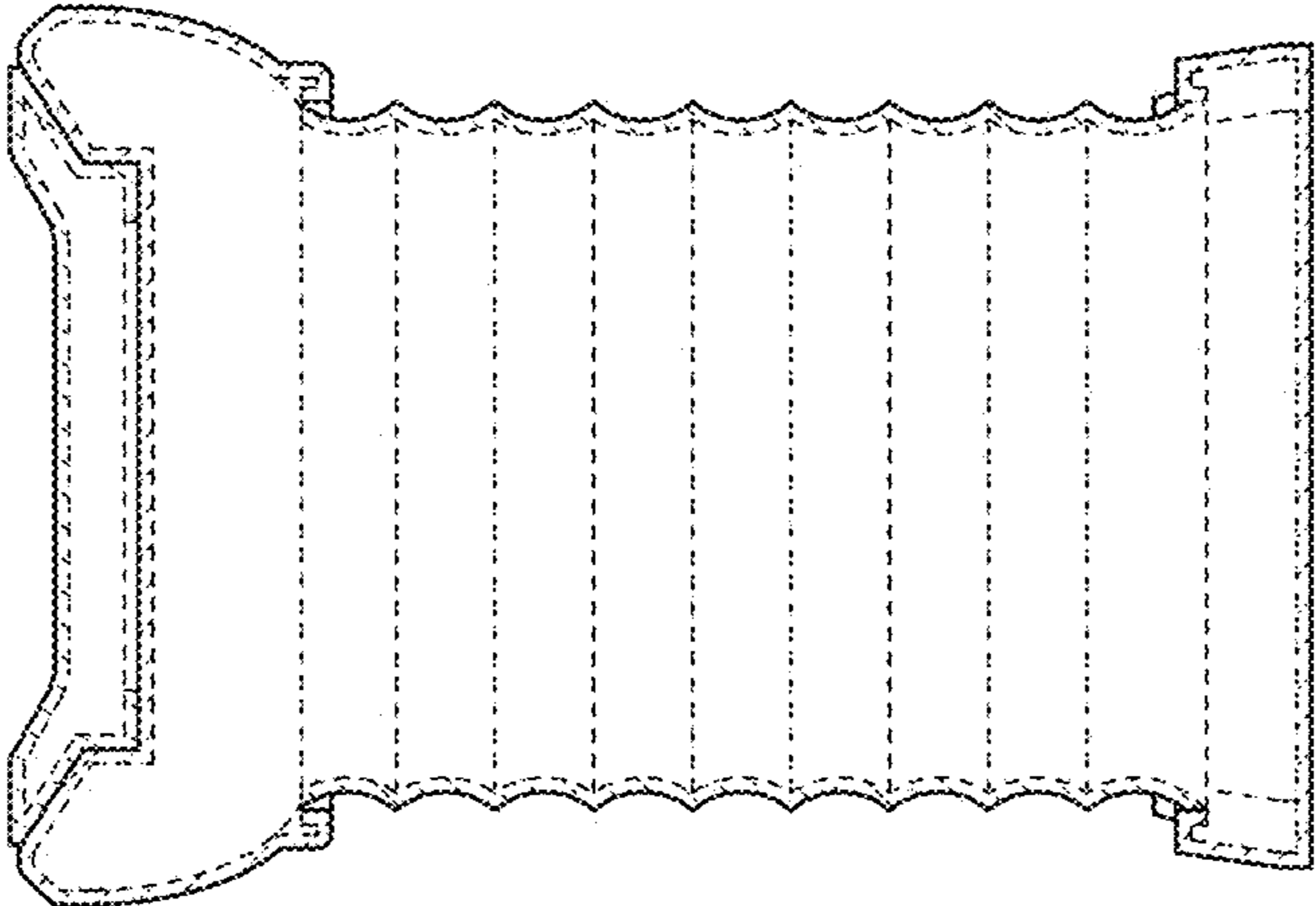


FIG. 9

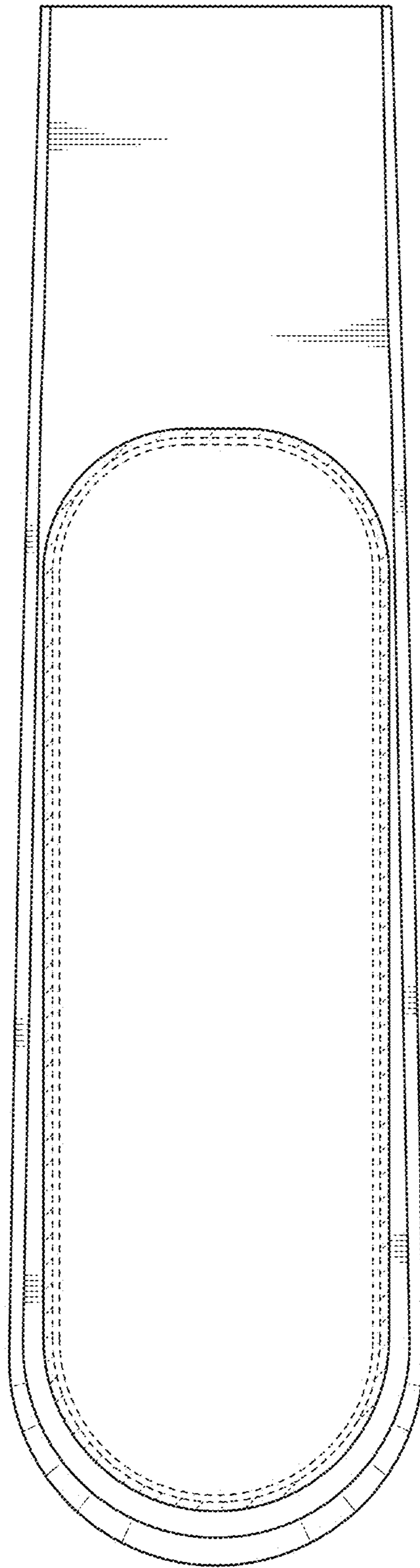


FIG. 10

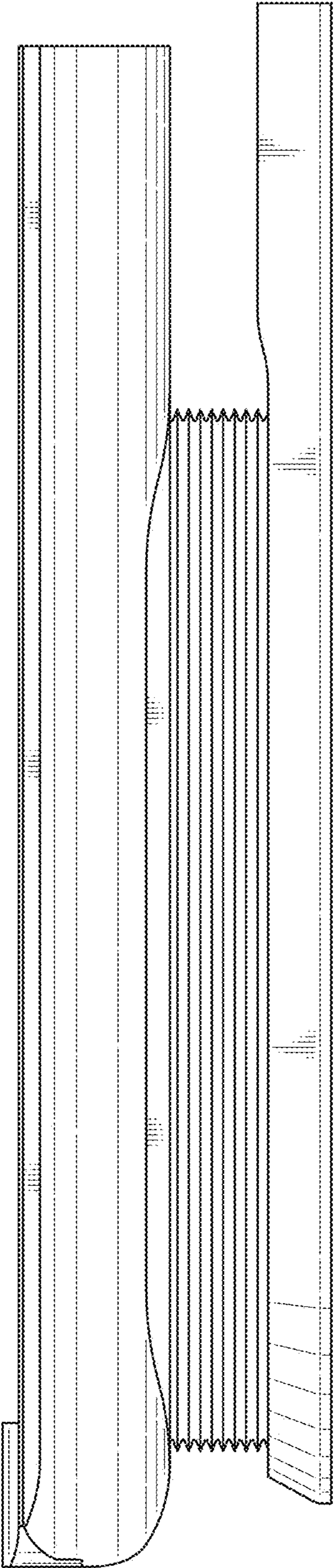


FIG. 11