



US00D701603S

(12) **United States Design Patent**  
**Tanaka**

(10) **Patent No.:** **US D701,603 S**  
(45) **Date of Patent:** **\*\* Mar. 25, 2014**

(54) **CONNECTOR FOR ENDOSCOPE**

(71) Applicant: **FUJIFILM Corporation**, Tokyo (JP)

(72) Inventor: **Kunihiko Tanaka**, Ashigarakami-gun (JP)

(73) Assignee: **FUJIFILM Corporation**, Tokyo (JP)

(\*\*) Term: **14 Years**

(21) Appl. No.: **29/440,010**

(22) Filed: **Dec. 18, 2012**

(30) **Foreign Application Priority Data**

Jun. 19, 2012 (JP) ..... 2012-014543

(51) **LOC (10) Cl.** ..... **24-00**

(52) **U.S. Cl.**  
USPC ..... **D24/170**

(58) **Field of Classification Search**  
USPC ..... D24/107, 170, 187, 142, 164, 110.5,  
D24/186, 110, 232, 169, 168, 163, 165, 216,  
D24/231; 600/538, 529, 532; 128/204.18,  
128/205.24; 73/23.3, 861.52; 422/84;  
D10/78, 96; D14/218, 371; D8/315  
See application file for complete search history.

(56) **References Cited**

**U.S. PATENT DOCUMENTS**

5,117,817 A \* 6/1992 Lin ..... 128/201.11  
5,797,627 A \* 8/1998 Salter et al. .... 285/38

D441,446 S \* 5/2001 Dagsland et al. .... D24/110  
7,353,822 B2 \* 4/2008 van Hooser et al. .... 128/202.27  
D616,552 S \* 5/2010 Lee et al. .... D24/186  
D636,278 S \* 4/2011 Franchini ..... D10/40  
8,167,988 B2 \* 5/2012 Dolensky et al. .... 96/121  
D672,469 S \* 12/2012 Christensen et al. .... D24/222

\* cited by examiner

*Primary Examiner* — Robert M Spear

*Assistant Examiner* — Rhea Shields

(74) *Attorney, Agent, or Firm* — Sughrue Mion, PLLC

(57) **CLAIM**

The ornamental design for a connector for endoscope, as shown and described.

**DESCRIPTION**

FIG. 1 is a top, front and side perspective view of a connector for endoscope showing my new design;  
FIG. 2 is a front elevational view thereof;  
FIG. 3 is a rear elevational view thereof;  
FIG. 4 is a top plan view thereof;  
FIG. 5 is a bottom plan view thereof;  
FIG. 6 is a left side elevational view thereof;  
FIG. 7 is a right side elevational view thereof; and,  
FIG. 8 is a top, front and side perspective view thereof in a manner of use.

The portions of the connector for endoscope in broken lines are shown for illustrative purposes only and form no part of the claimed design.

**1 Claim, 8 Drawing Sheets**

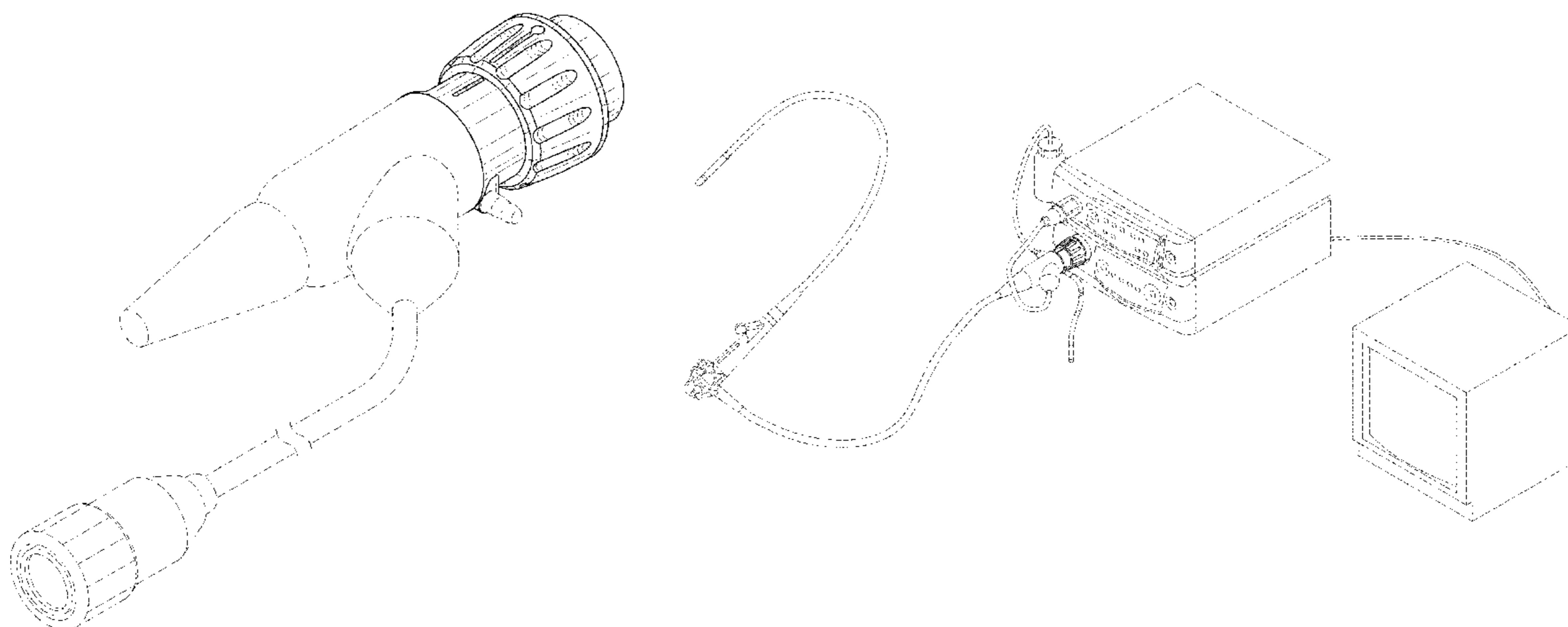


FIG. 1

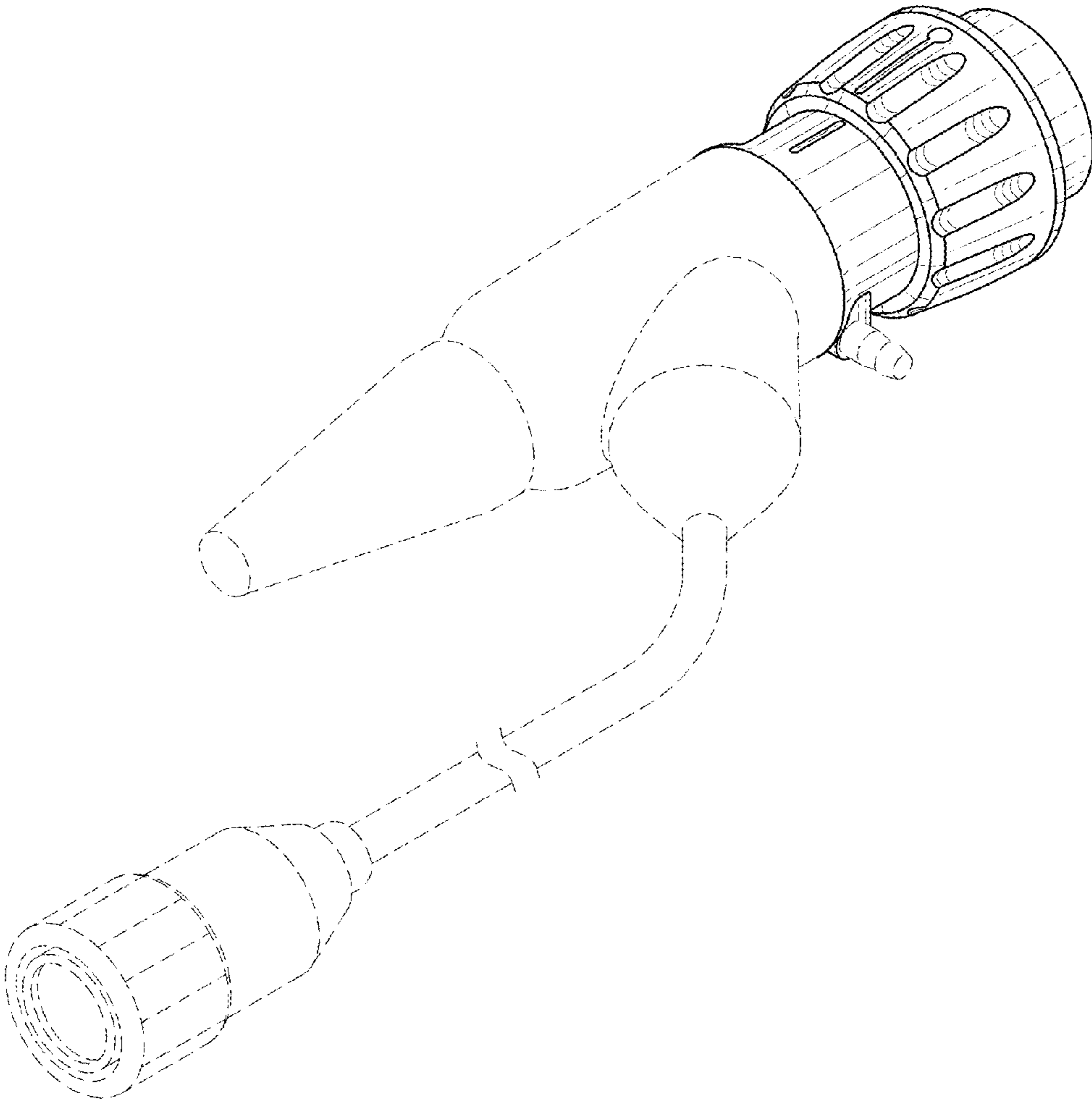


FIG. 2

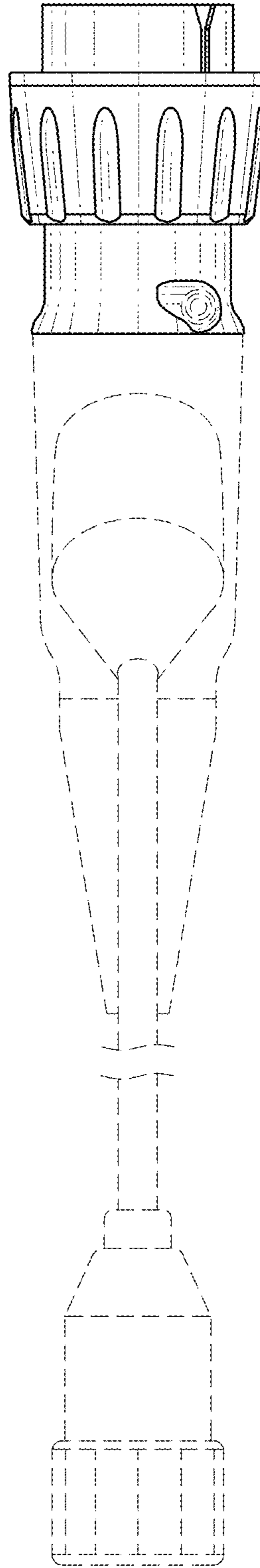


FIG. 3

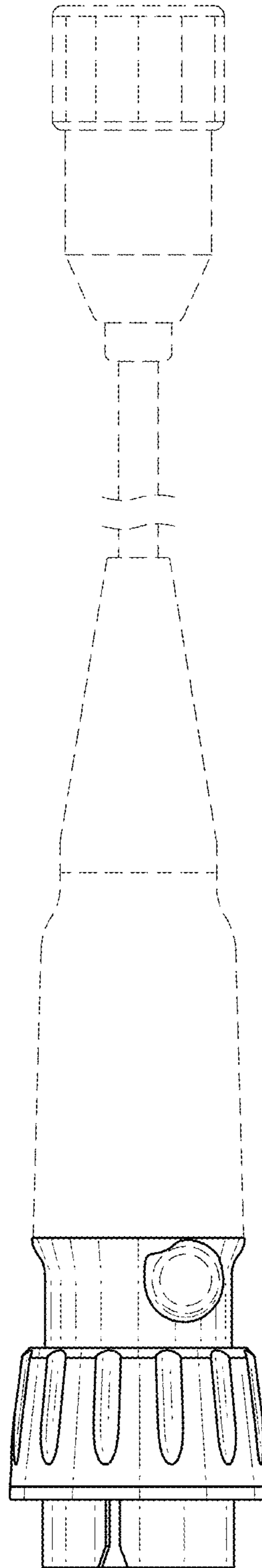


FIG. 4

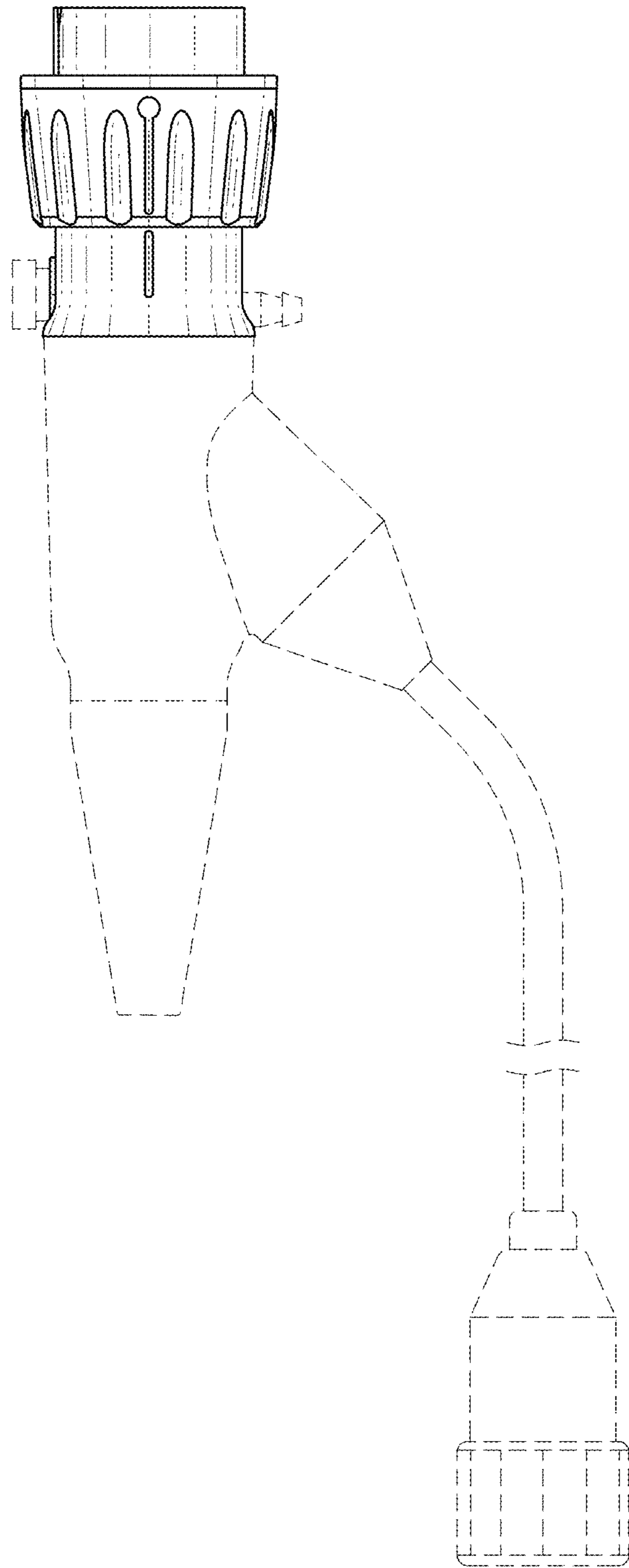


FIG. 5

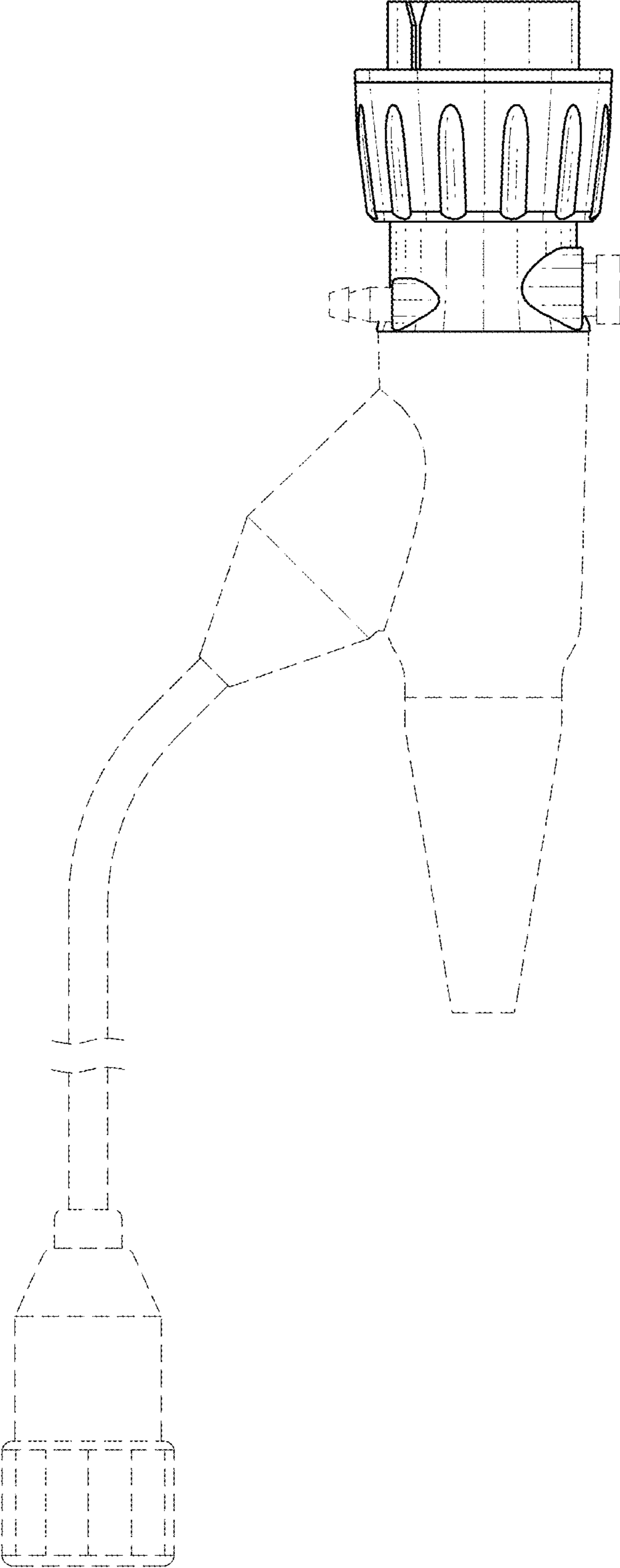


FIG.6

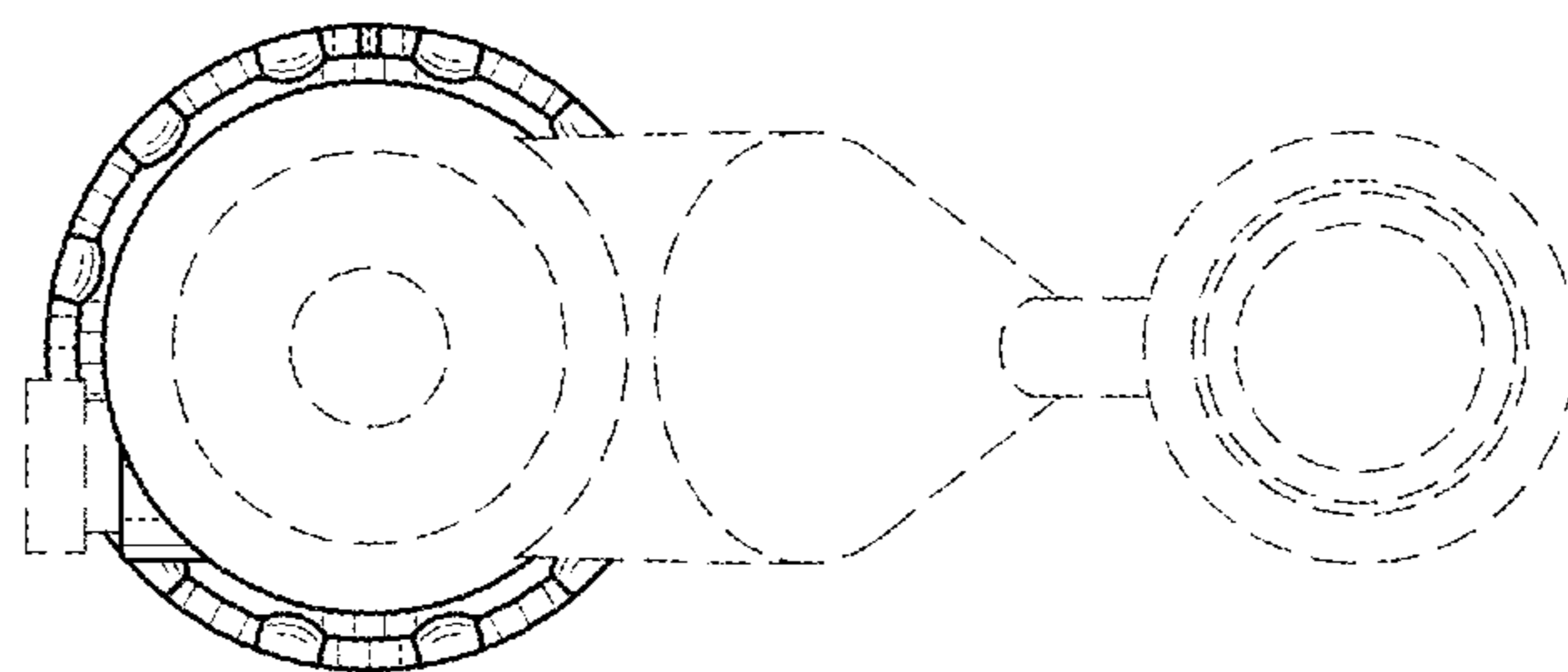


FIG. 7

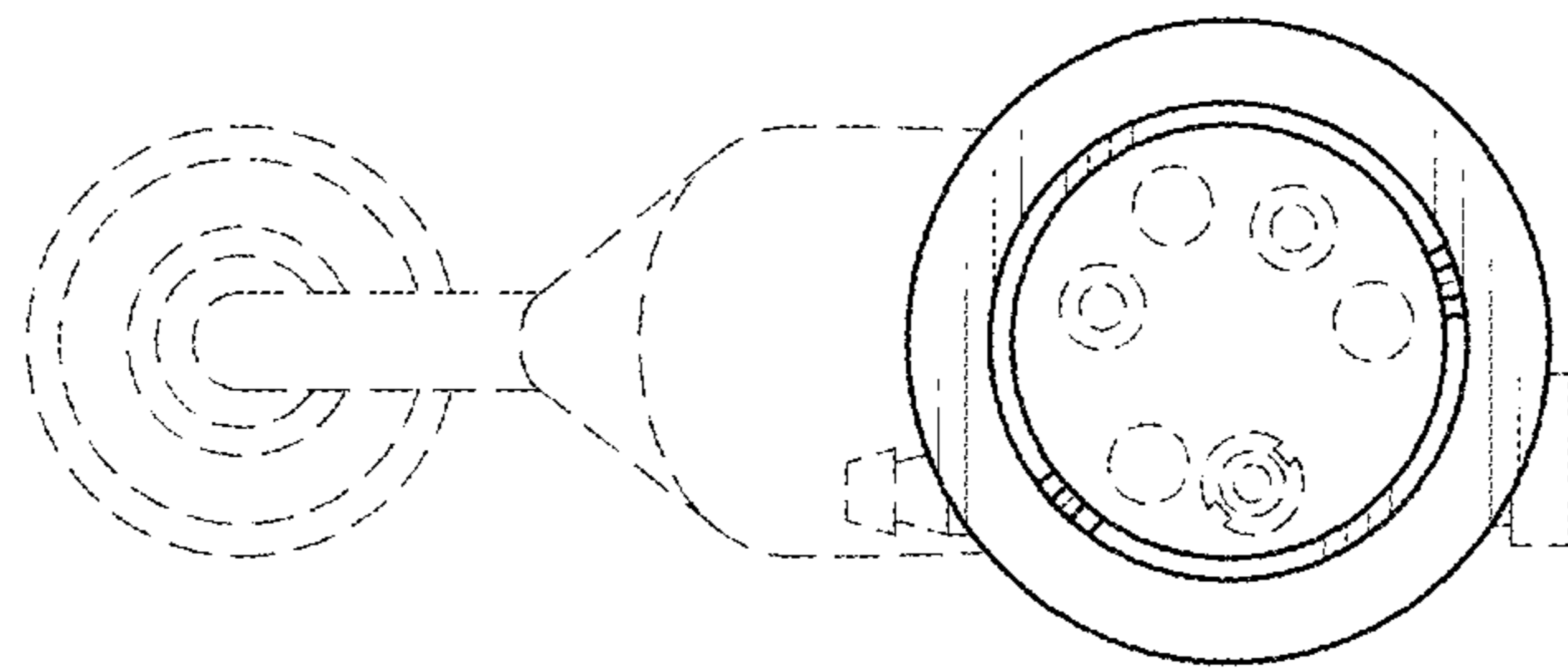




FIG. 8

