



US00D701601S

(12) **United States Design Patent**
Winter

(10) **Patent No.:** **US D701,601 S**
(45) **Date of Patent:** **** Mar. 25, 2014**

(54) **CONDENSATE VIAL OF AN EXHALATION MODULE**

(71) Applicant: **Covidien LP**, Boulder, CO (US)

(72) Inventor: **David Phillip Winter**, Encinitas, CA (US)

(73) Assignee: **Covidien LP**, Mansfield, MA (US)

(**) Term: **14 Years**

(21) Appl. No.: **29/447,977**

(22) Filed: **Mar. 8, 2013**

(51) **LOC (10) Cl.** **24-02**

(52) **U.S. Cl.**
USPC **D24/127; D24/216**

(58) **Field of Classification Search**
USPC D24/127, 121, 123, 224, 216, 110.6;
604/317-325; 422/500, 547, 554;
128/203.12, 205.24, 205.12

See application file for complete search history.

(56) **References Cited**

U.S. PATENT DOCUMENTS

- 3,444,857 A 5/1969 Godel
- 3,481,333 A 12/1969 Garrison
- 3,485,243 A 12/1969 Bird et al.
- 3,688,794 A 9/1972 Bird et al.
- 4,241,756 A 12/1980 Bennett et al.
- D266,190 S * 9/1982 Herman D24/121
- 4,527,557 A 7/1985 DeVries et al.
- 4,608,976 A 9/1986 Suchy
- 4,699,137 A 10/1987 Schroeder
- RE32,553 E 12/1987 Bennett et al.
- 4,712,580 A 12/1987 Gilman et al.
- 4,727,871 A 3/1988 Smargiassi et al.
- 4,747,403 A 5/1988 Gluck et al.
- 4,752,089 A 6/1988 Carter
- 4,880,411 A * 11/1989 Fangrow et al. 604/319
- 4,921,642 A 5/1990 LaTorraca

- 4,954,799 A 9/1990 Kumar
- 4,956,148 A * 9/1990 Grandone 422/64
- 4,957,107 A 9/1990 Sipin
- 4,991,576 A 2/1991 Henkin et al.
- 4,993,269 A 2/1991 Guillaume et al.
- 5,000,173 A 3/1991 Zalkin et al.
- 5,020,532 A 6/1991 Mahoney et al.
- 5,057,822 A 10/1991 Hoffman
- 5,072,729 A 12/1991 DeVries
- 5,072,737 A 12/1991 Goulding
- 5,109,838 A 5/1992 Elam
- 5,127,400 A 7/1992 DeVries et al.

(Continued)

FOREIGN PATENT DOCUMENTS

WO WO 2007/102866 9/2007

OTHER PUBLICATIONS

7200 Series Ventilator, Options, and Accessories: Operator's Manual. Nellcor Puritan Bennett, Part No. 22300 A, Sep. 1990, pp. 1-196.

(Continued)

Primary Examiner — David Muller

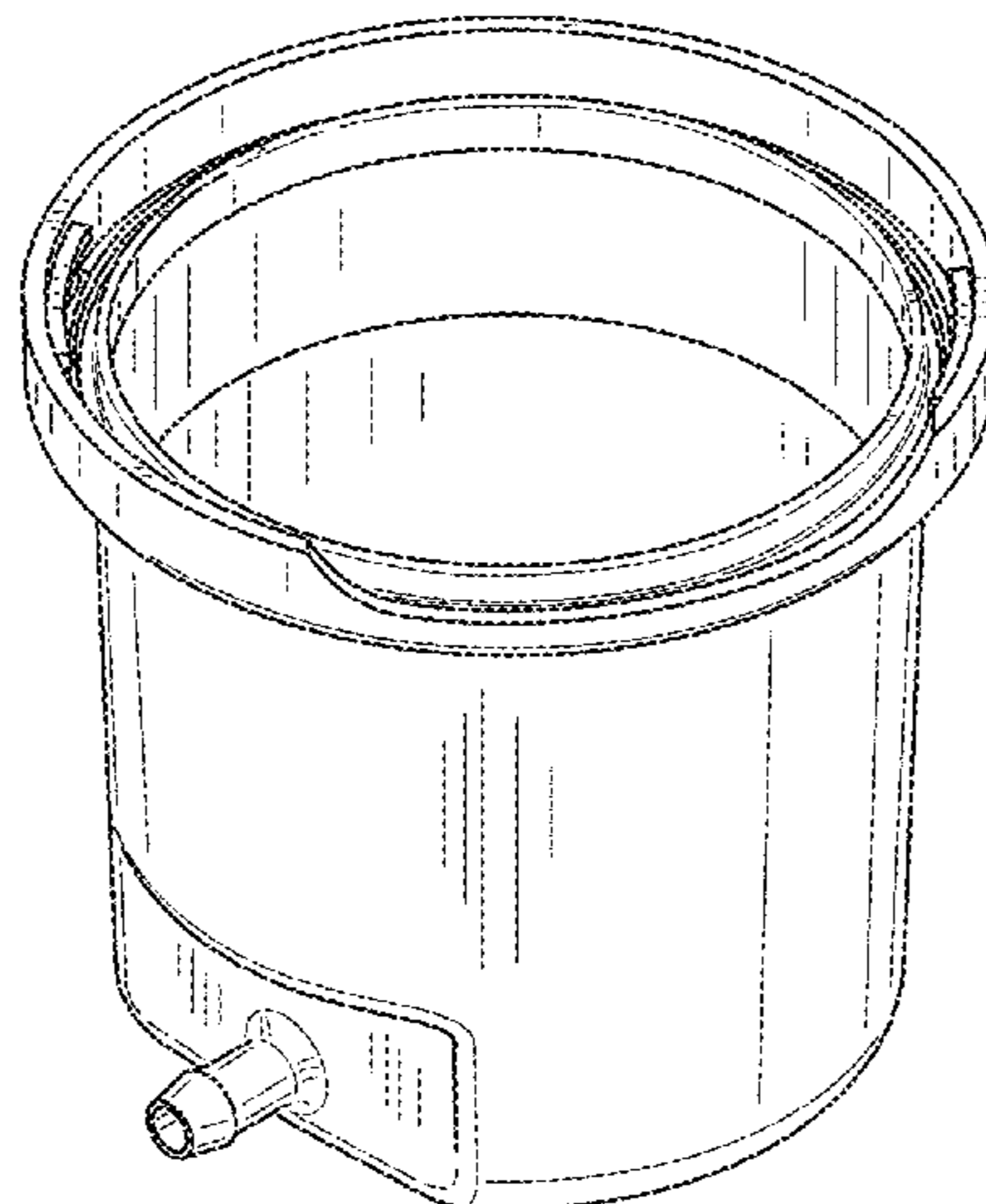
(57) **CLAIM**

The ornamental design for a condensate vial of an exhalation module, as shown and described.

DESCRIPTION

FIG. 1 is a perspective view of a condensate vial of an exhalation module showing the new design.
FIG. 2 is a front view thereof;
FIG. 3 is a rear view thereof;
FIG. 4 is a right side view thereof;
FIG. 5 is a left side view thereof;
FIG. 6 is a top view thereof; and,
FIG. 7 is a bottom view thereof.

1 Claim, 7 Drawing Sheets



(56)

References Cited

U.S. PATENT DOCUMENTS

5,134,995 A	8/1992	Gruenke et al.	5,697,363 A	12/1997	Hart
5,150,291 A	9/1992	Cummings et al.	5,701,883 A	12/1997	Hete et al.
5,161,525 A	11/1992	Kimm et al.	5,701,889 A	12/1997	Danon
5,168,868 A	12/1992	Hicks	D390,668 S *	2/1998	Lewandowski et al. D24/224
5,178,155 A	1/1993	Mault	5,715,812 A	2/1998	Deighan et al.
5,237,987 A	8/1993	Anderson et al.	5,762,480 A	6/1998	Adahan
5,255,675 A	10/1993	Kolobow	5,765,550 A *	6/1998	Psaros et al. 128/205.12
5,259,373 A	11/1993	Gruenke et al.	5,771,884 A	6/1998	Yarnall et al.
5,269,293 A	12/1993	Loser et al.	5,791,339 A	8/1998	Winter
5,271,389 A	12/1993	Isaza et al.	5,794,614 A	8/1998	Gruenke et al.
5,277,175 A	1/1994	Riggs et al.	5,794,986 A	8/1998	Gansel et al.
5,279,549 A	1/1994	Ranford	5,797,393 A	8/1998	Kohl
5,299,568 A	4/1994	Forare et al.	D398,993 S *	9/1998	Jones D24/121
5,301,667 A	4/1994	McGrail et al.	5,803,064 A	9/1998	Phelps et al.
5,301,921 A	4/1994	Kumar	5,813,399 A	9/1998	Isaza et al.
5,303,699 A	4/1994	Bonassa et al.	5,823,179 A	10/1998	Grychowski et al.
5,309,901 A	5/1994	Beaussant	5,826,575 A	10/1998	Lall
5,319,540 A	6/1994	Isaza et al.	5,829,441 A	11/1998	Kidd et al.
5,325,861 A	7/1994	Goulding	5,845,636 A	12/1998	Gruenke et al.
5,331,995 A	7/1994	Westfall et al.	5,857,458 A	1/1999	Tham et al.
5,333,606 A	8/1994	Schneider et al.	5,864,938 A	2/1999	Gansel et al.
5,339,807 A	8/1994	Carter	5,865,168 A	2/1999	Isaza
5,343,857 A	9/1994	Schneider et al.	5,868,133 A	2/1999	DeVries et al.
5,343,858 A	9/1994	Winefordner et al.	5,871,476 A *	2/1999	Hand 604/319
5,351,522 A	10/1994	Lura	5,875,783 A	3/1999	Kullik
5,357,946 A	10/1994	Kee et al.	5,876,352 A	3/1999	Weismann
5,360,000 A	11/1994	Carter	5,881,717 A	3/1999	Isaza
5,368,019 A	11/1994	LaTorraca	5,881,722 A	3/1999	DeVries et al.
5,368,021 A	11/1994	Beard et al.	5,881,723 A	3/1999	Wallace et al.
5,383,449 A	1/1995	Forare et al.	5,884,623 A	3/1999	Winter
5,385,142 A	1/1995	Brady et al.	5,909,731 A	6/1999	O'Mahony et al.
5,390,666 A	2/1995	Kimm et al.	5,915,379 A	6/1999	Wallace et al.
5,398,677 A	3/1995	Smith	5,915,380 A	6/1999	Wallace et al.
5,401,135 A	3/1995	Stoen et al.	5,915,382 A	6/1999	Power
5,402,796 A	4/1995	Packer et al.	5,918,597 A	7/1999	Jones et al.
5,407,174 A	4/1995	Kumar	5,921,238 A	7/1999	Bourdon
5,413,110 A	5/1995	Cummings et al.	5,934,274 A	8/1999	Merrick et al.
5,438,980 A	8/1995	Phillips	5,937,856 A	8/1999	Jonasson et al.
5,443,075 A	8/1995	Holscher	5,941,846 A	8/1999	Duffy et al.
5,452,714 A	9/1995	Anderson et al.	5,957,130 A	9/1999	Krahbichler et al.
5,467,766 A	11/1995	Ansire et al.	6,024,089 A	2/2000	Wallace et al.
5,484,270 A	1/1996	Adahan	6,041,777 A	3/2000	Faithfull et al.
5,494,028 A	2/1996	DeVries et al.	6,041,780 A	3/2000	Richard et al.
5,497,767 A	3/1996	Olsson et al.	6,047,860 A	4/2000	Sanders
5,503,140 A	4/1996	Winefordner et al.	D425,984 S *	5/2000	Niermann et al. D24/216
5,513,631 A	5/1996	McWilliams	6,073,630 A	6/2000	Adahan
5,517,983 A	5/1996	Deighan et al.	6,076,523 A	6/2000	Jones et al.
5,520,071 A	5/1996	Jones	6,095,139 A	8/2000	Psaros
5,524,615 A	6/1996	Power	6,102,038 A	8/2000	DeVries
5,531,221 A	7/1996	Power	6,116,240 A	9/2000	Merrick et al.
5,540,220 A	7/1996	Gropper et al.	6,116,242 A	9/2000	Frye et al.
5,542,415 A	8/1996	Brady	6,116,464 A	9/2000	Sanders
5,542,416 A	8/1996	Chalvignac	6,119,686 A	9/2000	Somerson et al.
5,544,674 A	8/1996	Kelly	6,123,073 A	9/2000	Schlawin et al.
5,546,935 A	8/1996	Champeau	6,123,074 A	9/2000	Hete et al.
5,549,106 A	8/1996	Gruenke et al.	6,131,571 A	10/2000	Lampotang et al.
5,568,910 A	10/1996	Koehler et al.	6,135,106 A	10/2000	Dirks et al.
5,575,283 A	11/1996	Sjostrand	6,135,967 A	10/2000	Fiorenza et al.
5,596,984 A	1/1997	O'Mahony et al.	6,142,150 A	11/2000	O'Mahony et al.
5,606,968 A	3/1997	Mang	6,148,814 A	11/2000	Clemmer et al.
5,617,847 A	4/1997	Howe	6,152,132 A	11/2000	Psaros
5,630,411 A	5/1997	Holscher	6,152,135 A	11/2000	DeVries et al.
5,632,270 A	5/1997	O'Mahony et al.	6,158,432 A	12/2000	Biondi et al.
5,645,048 A	7/1997	Brodsky et al.	6,161,539 A	12/2000	Winter
5,657,750 A	8/1997	Colman et al.	D435,906 S *	1/2001	Wilkinson et al. D24/121
5,660,171 A	8/1997	Kimm et al.	6,176,234 B1	1/2001	Salter et al.
5,662,099 A	9/1997	Tobia et al.	6,192,885 B1	2/2001	Jalde
5,664,560 A	9/1997	Merrick et al.	6,217,524 B1	4/2001	Orr et al.
5,664,562 A	9/1997	Bourdon	6,220,245 B1	4/2001	Takabayashi et al.
5,671,767 A	9/1997	Kelly	6,269,812 B1	8/2001	Wallace et al.
5,672,041 A	9/1997	Ringdahl et al.	6,273,444 B1	8/2001	Power
5,673,689 A	10/1997	Power	6,283,119 B1	9/2001	Bourdon
5,678,537 A	10/1997	Bathe et al.	6,287,264 B1	9/2001	Hoffman
5,683,232 A	11/1997	Adahan	6,295,330 B1	9/2001	Skog et al.
5,692,497 A	12/1997	Schnitzer et al.	6,295,985 B1	10/2001	Kock et al.
			6,305,373 B1	10/2001	Wallace et al.
			6,306,098 B1	10/2001	Orr et al.
			6,308,706 B1	10/2001	Lammers et al.
			6,309,360 B1	10/2001	Mault

(56)

References Cited

U.S. PATENT DOCUMENTS

6,321,748 B1	11/2001	O'Mahoney	7,152,604 B2	12/2006	Hickle et al.
6,325,785 B1	12/2001	Babkes et al.	7,168,597 B1	1/2007	Jones et al.
6,349,922 B1	2/2002	Rydin	7,195,013 B2	3/2007	Lurie
6,357,438 B1	3/2002	Hansen	7,210,478 B2	5/2007	Banner et al.
6,360,745 B1	3/2002	Wallace et al.	7,222,623 B2	5/2007	DeVries et al.
6,369,838 B1	4/2002	Wallace et al.	7,241,269 B2	7/2007	McCawley et al.
6,371,113 B1	4/2002	Tobia et al.	7,270,126 B2	9/2007	Wallace et al.
6,412,483 B1	7/2002	Jones et al.	7,275,540 B2	10/2007	Bolam et al.
6,415,788 B1	7/2002	Clawson et al.	7,291,115 B2	11/2007	Cardona Burrul
6,419,634 B1	7/2002	Gaston, IV et al.	7,302,949 B2	12/2007	Pelerossi et al.
6,439,229 B1	8/2002	Du et al.	7,320,321 B2	1/2008	Pranger et al.
6,457,472 B1	10/2002	Schwartz et al.	7,320,324 B2	1/2008	Willeford
6,467,478 B1	10/2002	Merrick et al.	7,347,825 B2	3/2008	Vaughan et al.
6,523,537 B1	2/2003	Mas Marfany	7,369,757 B2	5/2008	Farbarik
6,523,538 B1	2/2003	Wikefeldt	7,370,650 B2	5/2008	Nadjafizadeh et al.
6,526,970 B2	3/2003	DeVries et al.	7,392,806 B2	7/2008	Yuen et al.
D472,636 S *	4/2003	Haynes D24/216	7,428,902 B2	9/2008	Du et al.
6,543,449 B1	4/2003	Woodring et al.	7,460,959 B2	12/2008	Jafari
6,546,930 B1	4/2003	Emerson et al.	7,475,685 B2	1/2009	Dietz et al.
6,550,479 B1	4/2003	Duxbury	7,484,508 B2	2/2009	Younes
6,553,991 B1	4/2003	Isaza	7,487,773 B2	2/2009	Li
6,557,553 B1	5/2003	Borrello	7,487,778 B2	2/2009	Freitag
6,557,554 B1	5/2003	Sugiura	7,500,483 B2	3/2009	Colman et al.
6,564,798 B1	5/2003	Jalde	7,509,957 B2	3/2009	Duquette et al.
6,571,795 B2	6/2003	Bourdon	7,525,663 B2	4/2009	Kwok et al.
6,572,561 B2	6/2003	Mault	7,533,670 B1	5/2009	Freitag et al.
6,572,827 B2 *	6/2003	Wilkinson et al. 422/547	7,547,285 B2	6/2009	Kline
6,575,164 B1	6/2003	Jaffe et al.	7,556,038 B2	7/2009	Kirby et al.
6,575,165 B1	6/2003	Cook et al.	7,556,042 B2	7/2009	West et al.
6,575,918 B2	6/2003	Kline	7,562,657 B2	7/2009	Blanch et al.
6,584,973 B1	7/2003	Biondi et al.	7,588,033 B2	9/2009	Wondka
D478,659 S *	8/2003	Hall et al. D24/111	7,610,914 B2	11/2009	Bolam et al.
6,606,994 B1	8/2003	Clark	7,617,824 B2	11/2009	Doyle
6,616,615 B2	9/2003	Mault	7,621,271 B2	11/2009	Brugnoli
6,619,289 B1	9/2003	Mashak	7,634,998 B1	12/2009	Fenley
6,622,725 B1	9/2003	Fisher et al.	7,654,802 B2	2/2010	Crawford, Jr. et al.
6,622,726 B1	9/2003	Du	7,686,019 B2	3/2010	Weiss
6,629,934 B2	10/2003	Mault et al.	7,694,677 B2	4/2010	Tang
6,631,716 B1	10/2003	Robinson et al.	7,699,788 B2	4/2010	Kuck et al.
6,644,310 B1	11/2003	Delache et al.	7,717,113 B2	5/2010	Andrieux
6,668,824 B1	12/2003	Isaza et al.	7,721,735 B2	5/2010	Hamilton et al.
6,675,801 B2	1/2004	Wallace et al.	7,721,736 B2	5/2010	Urias et al.
6,718,974 B1	4/2004	Moberg	D618,356 S	6/2010	Ross
6,722,359 B2	4/2004	Chalvignac	7,740,591 B1	6/2010	Starr et al.
6,723,055 B2	4/2004	Hoffman	7,753,052 B2	7/2010	Tanaka
6,725,447 B1	4/2004	Gilman et al.	7,779,840 B2	8/2010	Acker et al.
6,729,331 B2	5/2004	Kay	7,784,461 B2	8/2010	Figueiredo et al.
6,739,334 B2	5/2004	Valeij	7,810,497 B2	10/2010	Pittman et al.
6,739,337 B2	5/2004	Isaza	7,814,908 B2	10/2010	Psaros
6,761,167 B1	7/2004	Nadjafizadeh et al.	7,819,815 B2	10/2010	Younes
6,761,168 B1	7/2004	Nadjafizadeh et al.	7,823,588 B2	11/2010	Hansen
6,763,829 B2	7/2004	Jaffe et al.	7,828,741 B2	11/2010	Kline et al.
6,772,762 B2	8/2004	Piesinger	7,846,739 B2	12/2010	von Bahr et al.
6,805,121 B1	10/2004	Flood et al.	7,849,854 B2	12/2010	DeVries et al.
6,814,074 B1	11/2004	Nadjafizadeh et al.	7,855,716 B2	12/2010	McCreary et al.
6,866,040 B1	3/2005	Bourdon	7,861,716 B2	1/2011	Borrello
6,877,511 B2	4/2005	DeVries et al.	7,870,857 B2	1/2011	Dhuper et al.
6,886,558 B2	5/2005	Tanaka	D632,796 S	2/2011	Ross et al.
6,896,713 B1	5/2005	Eckerbom et al.	D632,797 S	2/2011	Ross et al.
6,938,619 B1	9/2005	Hickle	7,883,471 B2	2/2011	Aljuri et al.
6,960,854 B2	11/2005	Nadjafizadeh et al.	7,885,771 B2	2/2011	Roecker et al.
6,968,840 B2	11/2005	Smith et al.	7,891,354 B2	2/2011	Farbarik
D518,172 S	3/2006	Britten et al.	7,893,560 B2	2/2011	Carter
7,032,589 B2	4/2006	Kerechanin, II et al.	7,900,626 B2	3/2011	Daly
7,036,504 B2	5/2006	Wallace et al.	7,913,690 B2	3/2011	Fisher et al.
7,040,315 B1	5/2006	Strömberg	D638,852 S	5/2011	Skidmore et al.
7,040,321 B2	5/2006	Göbel	7,984,714 B2	7/2011	Hausmann et al.
7,043,979 B2	5/2006	Smith et al.	D643,535 S	8/2011	Ross et al.
7,066,175 B2	6/2006	Hamilton et al.	7,992,557 B2	8/2011	Nadjafizadeh et al.
7,066,177 B2	6/2006	Pittaway et al.	8,001,967 B2	8/2011	Wallace et al.
7,077,131 B2	7/2006	Hansen	D645,158 S	9/2011	Sanchez et al.
RE39,225 E	8/2006	Isaza et al.	8,021,310 B2	9/2011	Sanborn et al.
7,117,438 B2	10/2006	Wallace et al.	D649,157 S	11/2011	Skidmore et al.
7,118,537 B2	10/2006	Baddour	D652,521 S	1/2012	Ross et al.
7,121,277 B2	10/2006	Ström	D652,936 S	1/2012	Ross et al.
			D653,749 S	2/2012	Winter et al.
			8,113,062 B2	2/2012	Graboi et al.
			D655,405 S	3/2012	Winter et al.
			D655,809 S	3/2012	Winter et al.

(56)

References Cited

U.S. PATENT DOCUMENTS

D656,237 S	3/2012	Sanchez et al.	2009/0084381 A1	4/2009	DeVries et al.
D659,254 S *	5/2012	Miyashita et al. D24/216	2009/0090359 A1	4/2009	Daviet et al.
8,181,648 B2	5/2012	Perine et al.	2009/0114223 A1	5/2009	Bonassa
8,210,173 B2	7/2012	Vandine	2009/0133695 A1	5/2009	Rao et al.
8,210,174 B2	7/2012	Farbarik	2009/0137919 A1	5/2009	Bar-Lavie et al.
8,240,684 B2	8/2012	Ross et al.	2009/0165795 A1	7/2009	Nadjafizadeh et al.
8,267,085 B2	9/2012	Jafari et al.	2009/0171176 A1	7/2009	Andersohn
8,272,379 B2	9/2012	Jafari et al.	2009/0188502 A1	7/2009	Tiedje
8,272,380 B2	9/2012	Jafari et al.	2009/0205661 A1	8/2009	Stephenson et al.
8,302,600 B2	11/2012	Andrieux et al.	2009/0205663 A1	8/2009	Vandine et al.
8,302,602 B2	11/2012	Andrieux et al.	2009/0217923 A1	9/2009	Boehm et al.
2002/0026941 A1	3/2002	Biondi et al.	2009/0221926 A1	9/2009	Younes
2002/0138213 A1	9/2002	Mault	2009/0229612 A1	9/2009	Levi et al.
2003/0062045 A1	4/2003	Woodring et al.	2009/0235935 A1	9/2009	Pacey
2004/0138577 A1	7/2004	Kline	2009/0241948 A1	10/2009	Clancy et al.
2004/0261793 A1	12/2004	Stromberg et al.	2009/0241951 A1	10/2009	Jafari et al.
2005/0039748 A1	2/2005	Andrieux	2009/0241952 A1	10/2009	Nicolazzi et al.
2005/0098177 A1	5/2005	Haj-Yahya et al.	2009/0241953 A1	10/2009	Vandine et al.
2005/0139211 A1	6/2005	Alston et al.	2009/0241955 A1	10/2009	Jafari et al.
2005/0139212 A1	6/2005	Bourdon	2009/0241956 A1	10/2009	Baker, Jr. et al.
2005/0150494 A1	7/2005	DeVries et al.	2009/0241957 A1	10/2009	Baker, Jr.
2005/0217671 A1	10/2005	Fisher et al.	2009/0241958 A1	10/2009	Baker, Jr.
2006/0032499 A1	2/2006	Halsnes	2009/0241962 A1	10/2009	Jafari et al.
2006/0129054 A1	6/2006	Orr et al.	2009/0241964 A1	10/2009	Aljuri et al.
2006/0130839 A1	6/2006	Bassovitch	2009/0247891 A1	10/2009	Wood
2006/0201507 A1	9/2006	Breen	2009/0250054 A1	10/2009	Loncar et al.
2006/0249148 A1	11/2006	Younes	2009/0250059 A1	10/2009	Allum et al.
2006/0249153 A1	11/2006	DeVries et al.	2009/0255533 A1	10/2009	Freitag et al.
2007/0000494 A1	1/2007	Banner et al.	2009/0260625 A1	10/2009	Wondka
2007/0017515 A1	1/2007	Wallace et al.	2009/0263279 A1	10/2009	Kline et al.
2007/0028921 A1	2/2007	Banner et al.	2009/0270752 A1	10/2009	Coifman
2007/0062531 A1	3/2007	Fisher et al.	2009/0277448 A1	11/2009	Ahlmén et al.
2007/0068530 A1	3/2007	Pacey	2009/0293877 A1	12/2009	Blanch et al.
2007/0073183 A1	3/2007	Kline	2009/0299430 A1	12/2009	Davies et al.
2007/0077200 A1	4/2007	Baker	2009/0301486 A1	12/2009	Masic
2007/0095347 A1	5/2007	Lampotang et al.	2009/0301487 A1	12/2009	Masic
2007/0113854 A1	5/2007	Mcauliffe	2009/0301490 A1	12/2009	Masic
2007/0125377 A1	6/2007	Heinonen et al.	2009/0301491 A1	12/2009	Masic et al.
2007/0144521 A1	6/2007	DeVries et al.	2010/0011307 A1	1/2010	Desfossez et al.
2007/0144523 A1	6/2007	Bolam et al.	2010/0012126 A1	1/2010	Gandini
2007/0157930 A1	7/2007	Soliman et al.	2010/0024820 A1	2/2010	Bourdon
2007/0157931 A1	7/2007	Parker et al.	2010/0031961 A1	2/2010	Schmidt
2007/0163579 A1	7/2007	Li et al.	2010/0051026 A1	3/2010	Graboi
2007/0225612 A1	9/2007	Mace et al.	2010/0051029 A1	3/2010	Jafari et al.
2007/0227537 A1	10/2007	Bemister et al.	2010/0059058 A1	3/2010	Kuo
2007/0232952 A1	10/2007	Baddour	2010/0069761 A1	3/2010	Karst et al.
2007/0255160 A1	11/2007	Daly	2010/0071689 A1	3/2010	Thiessen
2007/0284361 A1	12/2007	Nadjafizadeh et al.	2010/0071692 A1	3/2010	Porges
2008/0045825 A1	2/2008	Melker et al.	2010/0071695 A1	3/2010	Thiessen
2008/0053438 A1	3/2008	DeVries et al.	2010/0071696 A1	3/2010	Jafari
2008/0053441 A1	3/2008	Gottlib et al.	2010/0071697 A1	3/2010	Jafari et al.
2008/0060646 A1	3/2008	Isaza	2010/0078017 A1	4/2010	Andrieux et al.
2008/0060656 A1	3/2008	Isaza	2010/0078026 A1	4/2010	Andrieux et al.
2008/0072896 A1	3/2008	Setzer et al.	2010/0081119 A1	4/2010	Jafari et al.
2008/0072902 A1	3/2008	Setzer et al.	2010/0081955 A1	4/2010	Wood, Jr. et al.
2008/0078390 A1	4/2008	Milne et al.	2010/0099999 A1	4/2010	Hemnes et al.
2008/0083644 A1	4/2008	Janbakhsh et al.	2010/0101577 A1	4/2010	Kaestle et al.
2008/0092894 A1	4/2008	Nicolazzi et al.	2010/0106037 A1	4/2010	Kacmarek et al.
2008/0097234 A1	4/2008	Nicolazzi et al.	2010/0125227 A1	5/2010	Bird
2008/0135044 A1	6/2008	Freitag et al.	2010/0137733 A1	6/2010	Wang et al.
2008/0183094 A1	7/2008	Schonfuss et al.	2010/0139660 A1	6/2010	Adahan
2008/0196720 A1	8/2008	Kollmeyer et al.	2010/0147302 A1	6/2010	Selvarajan et al.
2008/0202517 A1	8/2008	Mitton et al.	2010/0147303 A1	6/2010	Jafari et al.
2008/0202518 A1	8/2008	Mitton et al.	2010/0170512 A1	7/2010	Kuypers et al.
2008/0214947 A1	9/2008	Hunt et al.	2010/0175695 A1	7/2010	Jamison
2008/0230062 A1	9/2008	Tham	2010/0179392 A1	7/2010	Chang et al.
2008/0257349 A1	10/2008	Hedner et al.	2010/0180897 A1	7/2010	Malgouyres
2008/0276939 A1	11/2008	Tiedje	2010/0185112 A1	7/2010	Van Kesteren et al.
2009/0000621 A1	1/2009	Hagblom et al.	2010/0186744 A1	7/2010	Andrieux
2009/0007914 A1	1/2009	Bateman	2010/0198095 A1	8/2010	Isler
2009/0050153 A1	2/2009	Brunner	2010/0218765 A1	9/2010	Jafari et al.
2009/0056708 A1	3/2009	Stenzler et al.	2010/0218766 A1	9/2010	Milne
2009/0056719 A1	3/2009	Newman, Jr.	2010/0218767 A1	9/2010	Jafari et al.
2009/0071478 A1	3/2009	Kalfon	2010/0222692 A1	9/2010	McCawley et al.
2009/0078251 A1	3/2009	Zucchi et al.	2010/0236553 A1	9/2010	Jafari et al.
			2010/0236555 A1	9/2010	Jafari et al.
			2010/0236555 A1	9/2010	Jafari et al.
			2010/0241019 A1	9/2010	Varga et al.
			2010/0242961 A1	9/2010	Mougel et al.
			2010/0249584 A1	9/2010	Albertelli

(56)

References Cited

U.S. PATENT DOCUMENTS

2010/0252042 A1 10/2010 Kapust et al.
 2010/0268106 A1 10/2010 Johnson et al.
 2010/0268131 A1 10/2010 Eftimiou
 2010/0269834 A1 10/2010 Freitag et al.
 2010/0282258 A1 11/2010 Tailor et al.
 2010/0282259 A1 11/2010 Figueiredo et al.
 2010/0286544 A1 11/2010 Tanaka et al.
 2010/0288283 A1 11/2010 Campbell et al.
 2010/0292601 A1 11/2010 Dompeling et al.
 2010/0300446 A1 12/2010 Nicolazzi et al.
 2010/0324437 A1 12/2010 Freeman et al.
 2010/0324439 A1 12/2010 Davenport
 2011/0004108 A1 1/2011 Peyton
 2011/0009762 A1 1/2011 Eichler et al.
 2011/0011400 A1 1/2011 Gentner et al.
 2011/0023878 A1 2/2011 Thiessen
 2011/0023879 A1 2/2011 Vandine et al.
 2011/0023880 A1 2/2011 Thiessen
 2011/0023881 A1 2/2011 Thiessen
 2011/0029910 A1 2/2011 Thiessen
 2011/0041849 A1 2/2011 Chen et al.
 2011/0041850 A1 2/2011 Vandine et al.
 2011/0066060 A1 3/2011 von Bahr et al.
 2011/0126829 A1 6/2011 Carter et al.
 2011/0126832 A1 6/2011 Winter et al.
 2011/0126834 A1 6/2011 Winter et al.
 2011/0126835 A1 6/2011 Winter et al.
 2011/0126836 A1 6/2011 Winter et al.
 2011/0126837 A1 6/2011 Winter et al.
 2011/0128008 A1 6/2011 Carter
 2011/0132361 A1 6/2011 Sanchez
 2011/0132362 A1 6/2011 Sanchez
 2011/0132364 A1 6/2011 Ogilvie et al.
 2011/0132365 A1 6/2011 Patel et al.
 2011/0132366 A1 6/2011 Ogilvie et al.
 2011/0132367 A1 6/2011 Patel
 2011/0132368 A1 6/2011 Sanchez et al.
 2011/0132369 A1 6/2011 Sanchez
 2011/0132371 A1 6/2011 Sanchez et al.
 2011/0133936 A1 6/2011 Sanchez et al.
 2011/0138308 A1 6/2011 Palmer et al.
 2011/0138309 A1 6/2011 Skidmore et al.
 2011/0138311 A1 6/2011 Palmer
 2011/0138315 A1 6/2011 Vandine et al.
 2011/0138323 A1 6/2011 Skidmore et al.
 2011/0146681 A1 6/2011 Jafari et al.
 2011/0146683 A1 6/2011 Jafari et al.
 2011/0154241 A1 6/2011 Skidmore et al.
 2011/0175728 A1 7/2011 Baker, Jr.
 2011/0196251 A1 8/2011 Jourdain et al.
 2011/0209702 A1 9/2011 Vuong et al.
 2011/0209704 A1 9/2011 Jafari et al.
 2011/0209707 A1 9/2011 Terhark
 2011/0213215 A1 9/2011 Doyle et al.
 2011/0230780 A1 9/2011 Sanborn et al.
 2011/0249006 A1 10/2011 Wallace et al.
 2011/0259330 A1 10/2011 Jafari et al.
 2011/0259332 A1 10/2011 Sanchez et al.
 2011/0259333 A1 10/2011 Sanchez et al.
 2011/0265024 A1 10/2011 Leone et al.
 2011/0271960 A1 11/2011 Milne et al.
 2011/0273299 A1 11/2011 Milne et al.
 2012/0000467 A1 1/2012 Milne et al.
 2012/0000468 A1 1/2012 Milne et al.
 2012/0000469 A1 1/2012 Milne et al.
 2012/0000470 A1 1/2012 Milne et al.
 2012/0029317 A1 2/2012 Doyle et al.

2012/0030611 A1 2/2012 Skidmore
 2012/0060841 A1 3/2012 Crawford, Jr. et al.
 2012/0071729 A1 3/2012 Doyle et al.
 2012/0090611 A1 4/2012 Graboi et al.
 2012/0096381 A1 4/2012 Milne et al.
 2012/0133519 A1 5/2012 Milne et al.
 2012/0136222 A1 5/2012 Doyle et al.
 2012/0137249 A1 5/2012 Milne et al.
 2012/0137250 A1 5/2012 Milne et al.
 2012/0167885 A1 7/2012 Masic et al.
 2012/0185792 A1 7/2012 Kimm et al.
 2012/0197578 A1 8/2012 Vig et al.
 2012/0197580 A1 8/2012 Vij et al.
 2012/0211008 A1 8/2012 Perine et al.
 2012/0216809 A1 8/2012 Milne et al.
 2012/0216810 A1 8/2012 Jafari et al.
 2012/0216811 A1 8/2012 Kimm et al.
 2012/0226444 A1 9/2012 Milne et al.
 2012/0247471 A1 10/2012 Masic et al.
 2012/0272960 A1 11/2012 Milne
 2012/0272961 A1 11/2012 Masic et al.
 2012/0272962 A1 11/2012 Doyle et al.
 2012/0277616 A1 11/2012 Sanborn et al.
 2012/0279501 A1 11/2012 Wallace et al.
 2012/0304995 A1 12/2012 Kauc
 2012/0304997 A1 12/2012 Jafari et al.
 2013/0000644 A1 1/2013 Thiessen
 2013/0006133 A1 1/2013 Doyle et al.
 2013/0006134 A1 1/2013 Doyle et al.
 2013/0008443 A1 1/2013 Thiessen
 2013/0025596 A1 1/2013 Jafari et al.
 2013/0025597 A1 1/2013 Doyle et al.
 2013/0032151 A1 2/2013 Adahan
 2013/0047989 A1 2/2013 Vandine et al.
 2013/0053717 A1 2/2013 Vandine et al.
 2013/0074844 A1 3/2013 Kimm et al.
 2013/0081536 A1 4/2013 Crawford, Jr. et al.
 2013/0104896 A1 5/2013 Kimm et al.
 2013/0146055 A1 6/2013 Jafari et al.
 2013/0167842 A1 7/2013 Jafari et al.
 2013/0167843 A1 7/2013 Kimm et al.
 2013/0192599 A1 8/2013 Nakai et al.
 2013/0220324 A1 8/2013 Jafari et al.
 2013/0255682 A1 10/2013 Jafari et al.
 2013/0255685 A1 10/2013 Jafari et al.

OTHER PUBLICATIONS

7200 Ventilatory System: Addendum/Errata. Nellcor Puritan Bennett, Part No. 4-023576-00, Rev. A, Apr. 1998, pp. 1-32.
 800 Operator's and Technical Reference Manual. Series Ventilator System, Nellcor Puritan Bennett, Part No. 4-070088-00, Rev. L, Aug. 2010, pp. 1-476.
 840 Operators and Technical Reference Manual. Ventilator System, Nellcor Puritan Bennett, Part No. 4-075609-00, Rev. G, Oct. 2006, pp. 1-424.
 U.S. Appl. No. 29/448,065, Notice of Allowance mailed Jul. 10, 2013, 9 pgs.
 U.S. Appl. No. 29/448,082, Notice of Allowance mailed Jul. 9, 2013, 9 pgs.
 U.S. Appl. No. 29/448,065, Notice of Allowance mailed Sep. 12, 2013, 2 pgs.
 U.S. Appl. No. 29/448,065, Notice of Allowance mailed Sep. 30, 2013, 2 pgs.
 U.S. Appl. No. 29/448,082, Notice of Allowance mailed Sep. 17, 2013, 2 pgs.
 U.S. Appl. No. 29/448,082, Notice of Allowance mailed Sep. 30, 2013, 2 pgs.

* cited by examiner

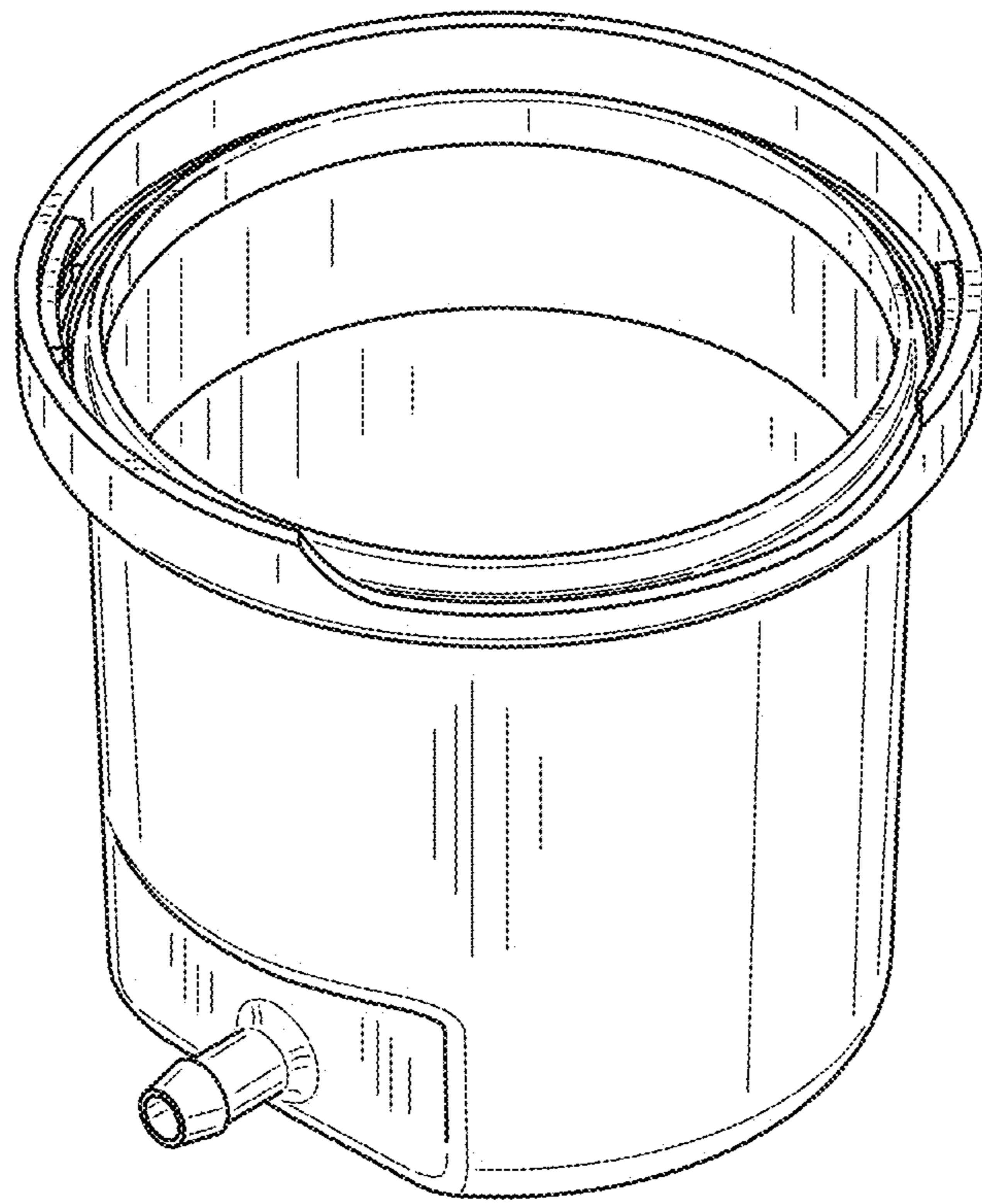


FIG. 1

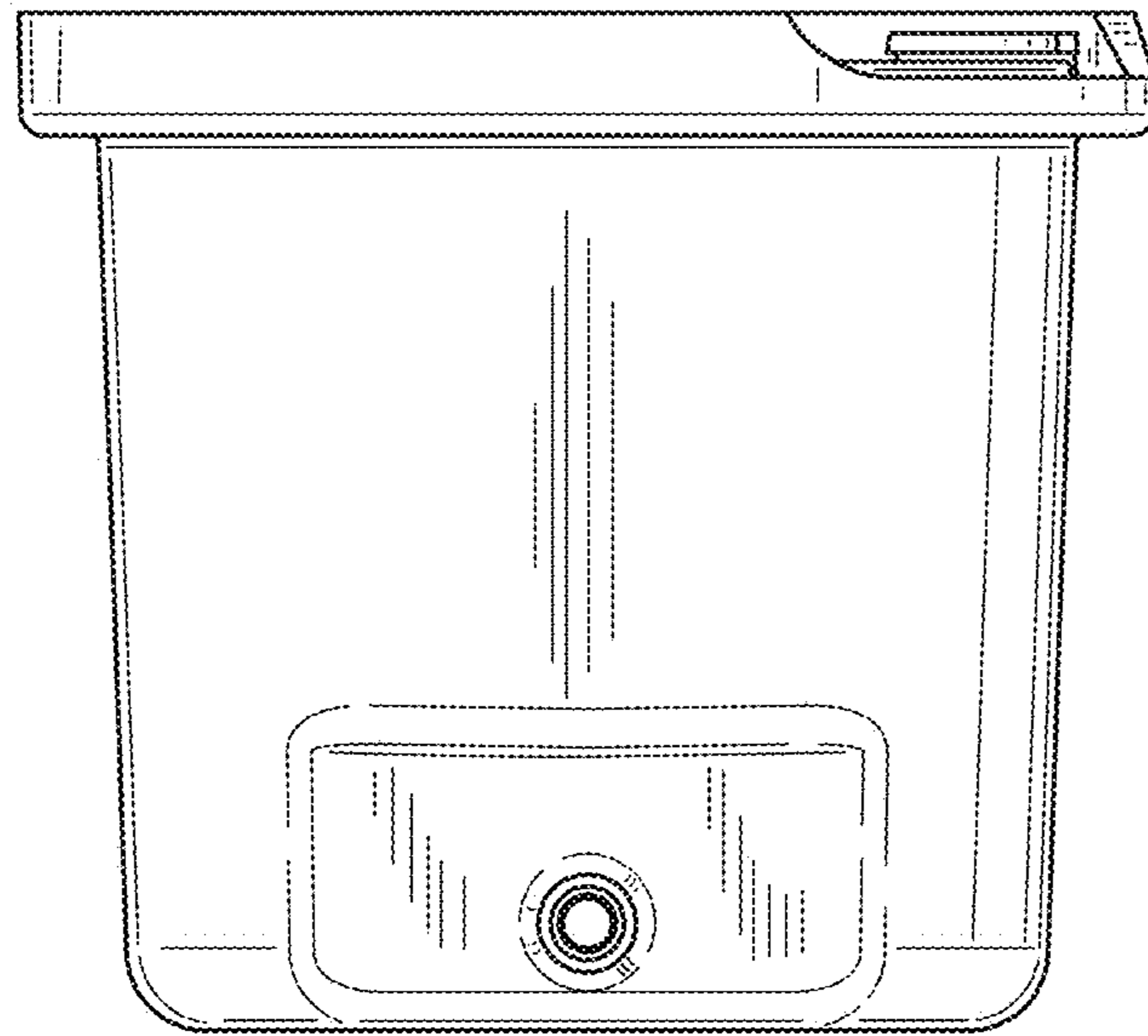


FIG.2

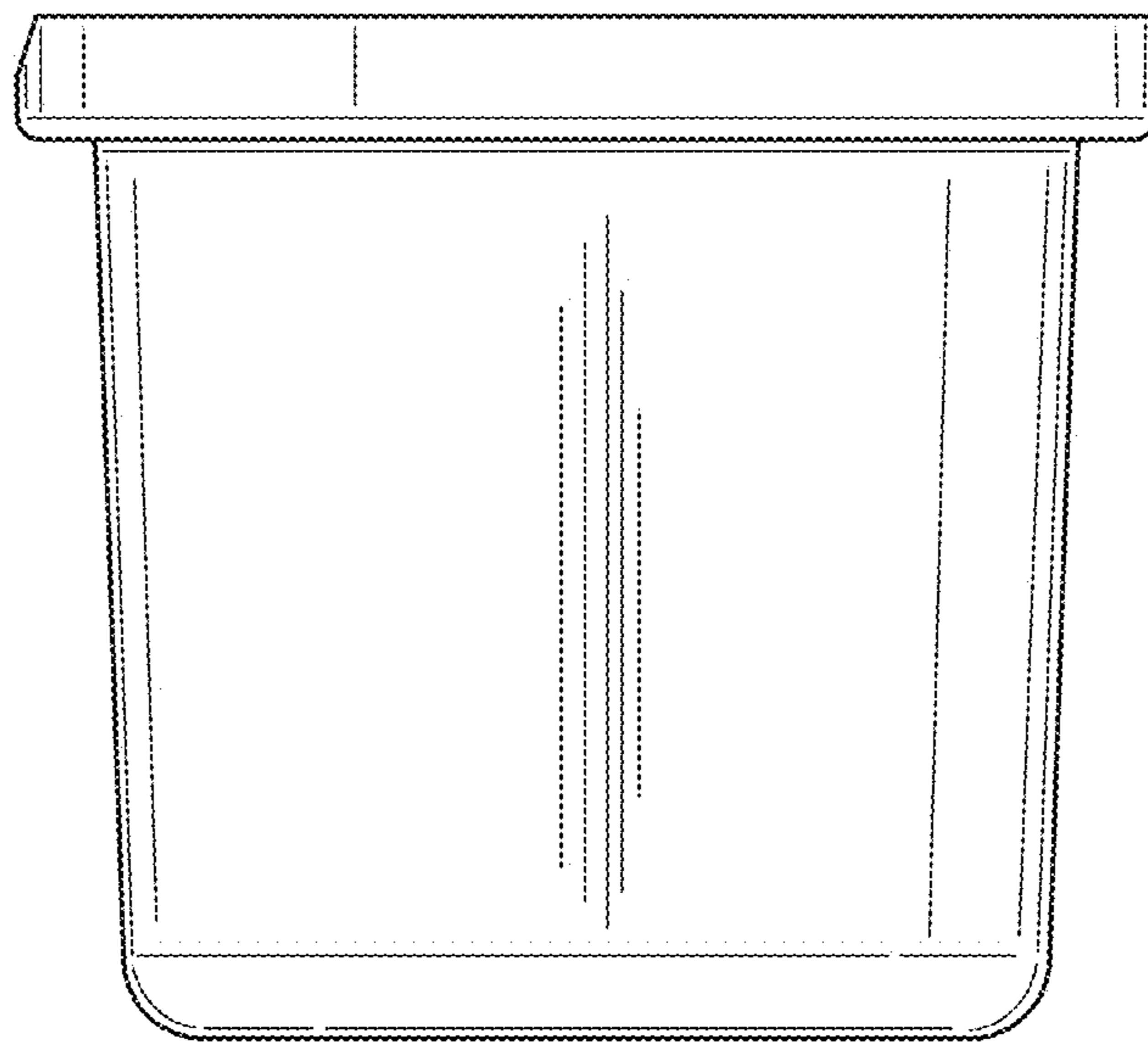


FIG.3

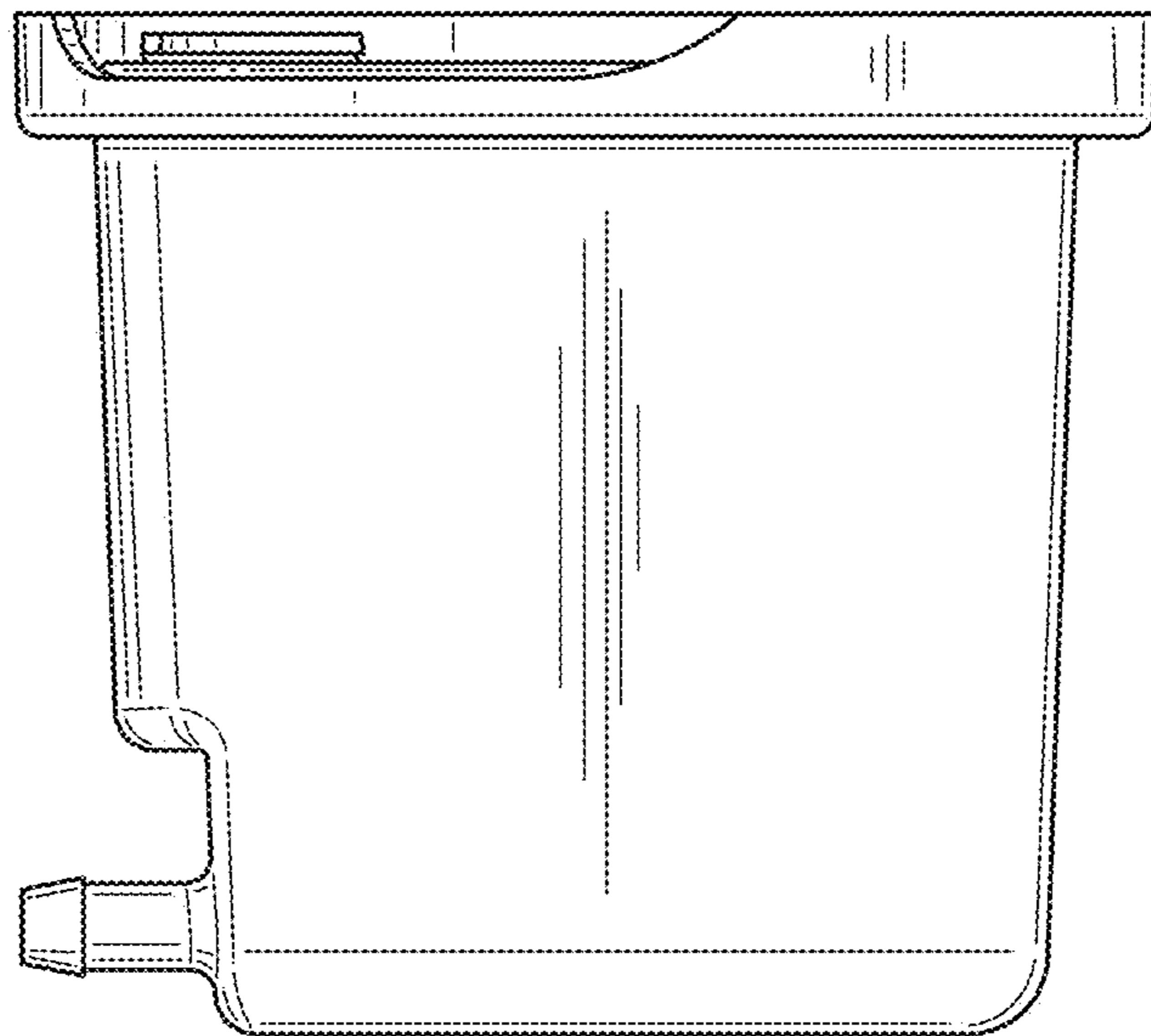


FIG.4

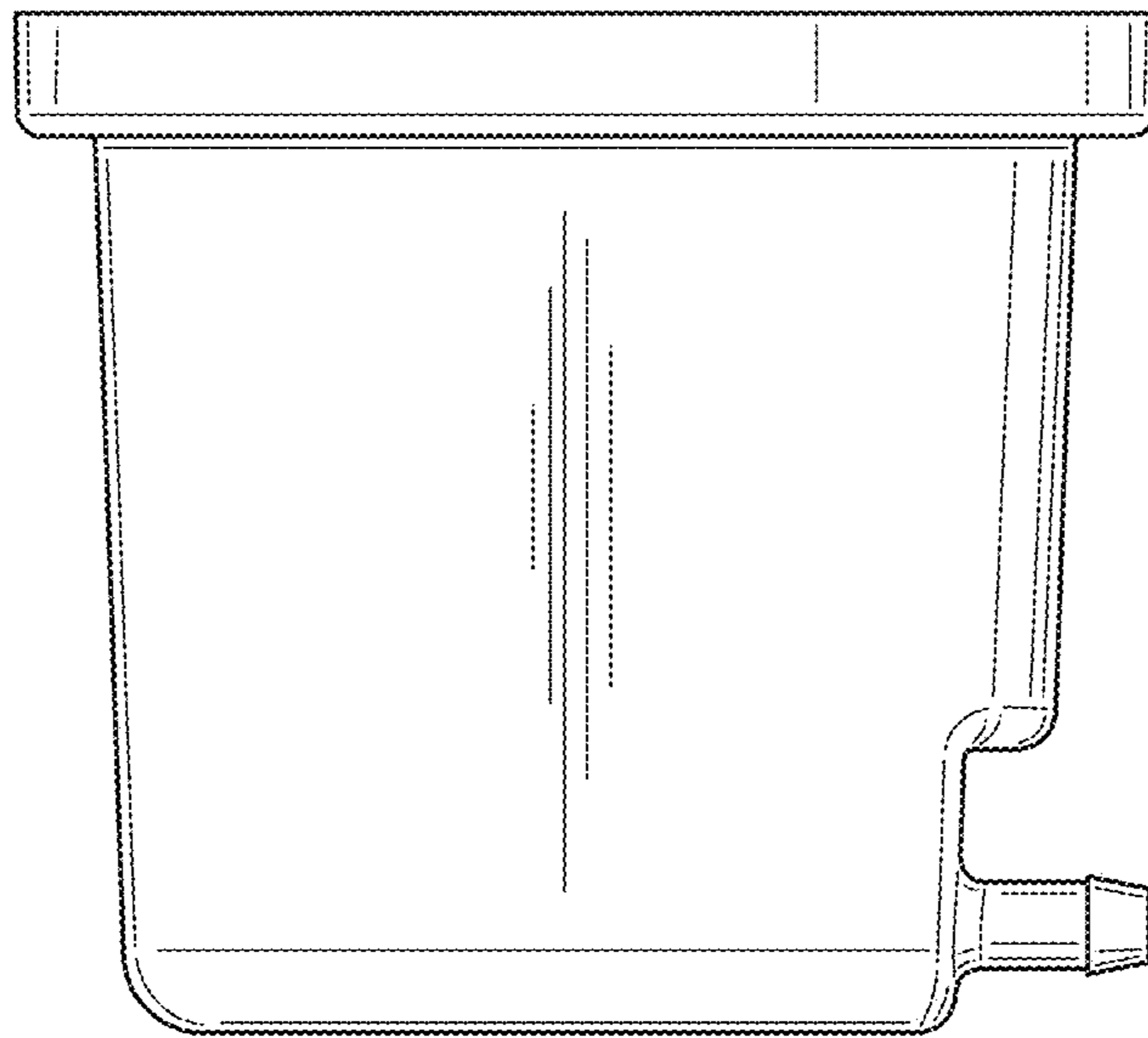


FIG. 5

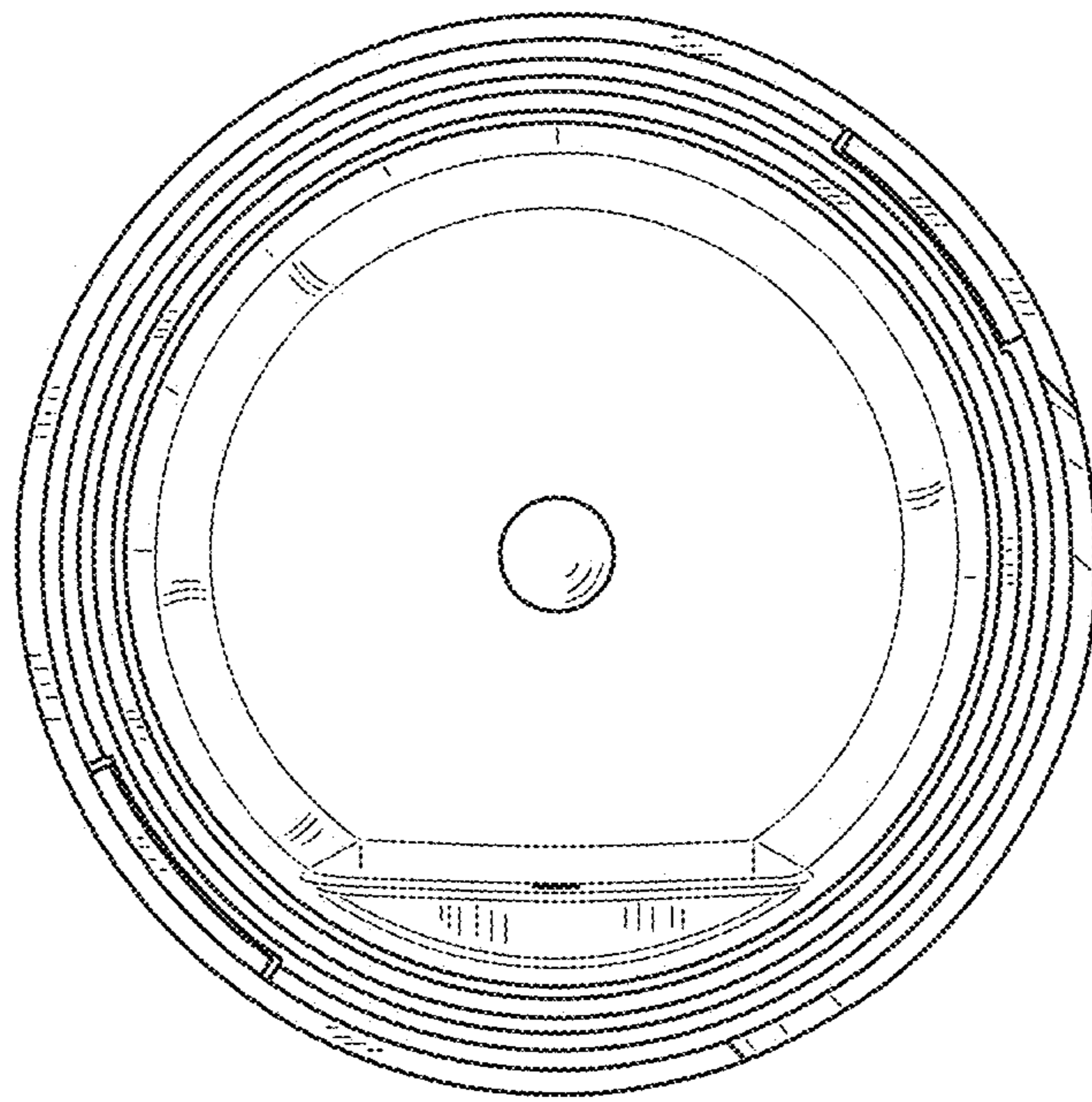


FIG.6

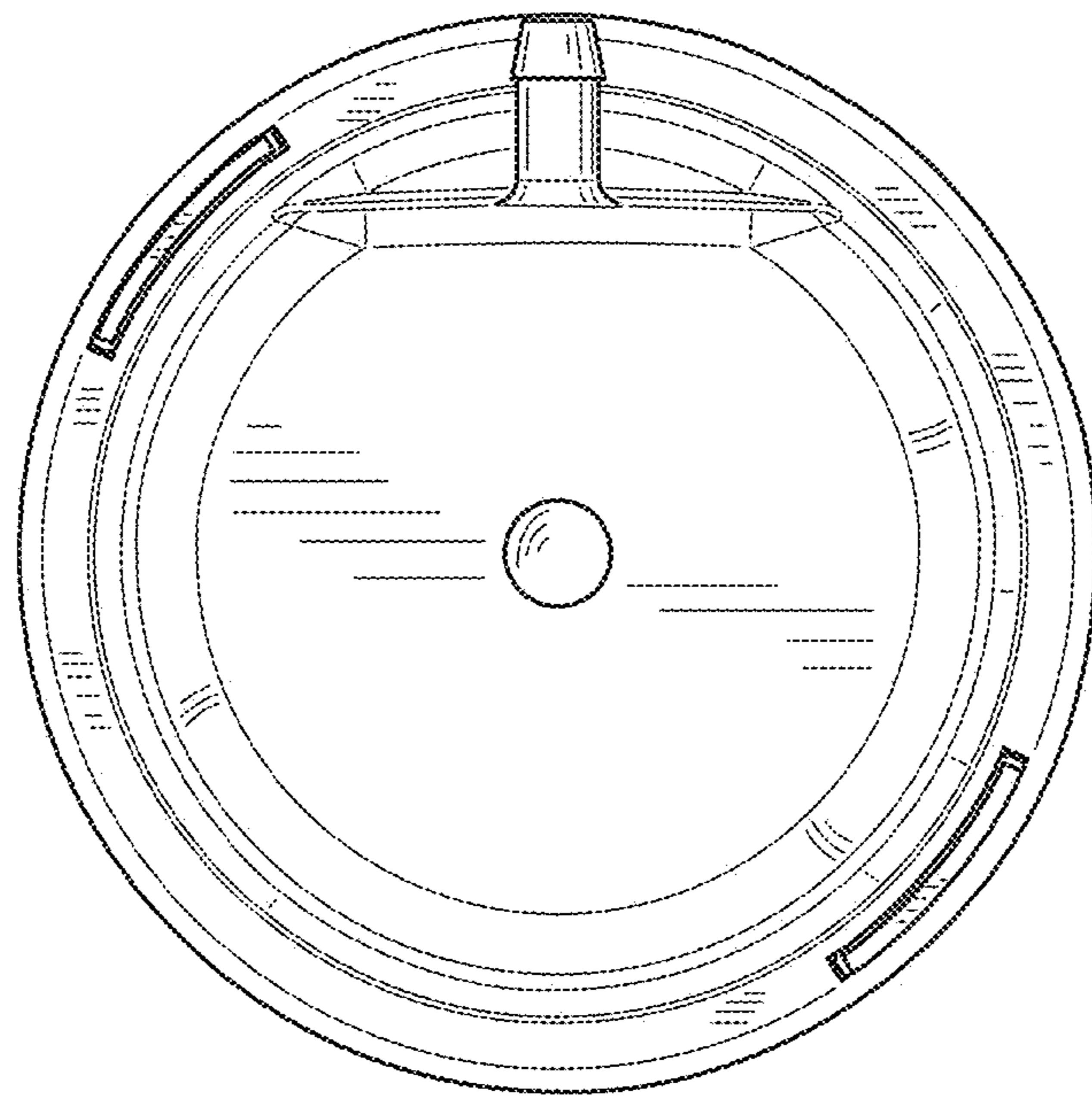


FIG. 7