



US00D701599S

(12) **United States Design Patent**
Bengochea et al.

(10) **Patent No.:** **US D701,599 S**
(45) **Date of Patent:** **** Mar. 25, 2014**

- (54) **NASAL DEVICE**
- (71) Applicant: **Pediatric Innovations USA, LLC**,
Doral, FL (US)
- (72) Inventors: **Jose Bengochea**, Doral, FL (US);
Alejandro Nunez, Doral, FL (US)
- (73) Assignee: **Pediatric Innovations USA, LLC**,
Doral, FL (US)
- (**) Term: **14 Years**
- (21) Appl. No.: **29/450,956**
- (22) Filed: **Mar. 26, 2013**
- (51) **LOC (10) Cl.** **29-02**
- (52) **U.S. Cl.**
USPC **D24/110**
- (58) **Field of Classification Search**
USPC D24/108, 110, 114, 117; 128/200.23,
128/203.15, 203.18, 203.21, 206.11, 207.18
See application file for complete search history.

8,070,744	B1	12/2011	Clements	
8,100,886	B2	1/2012	Sebban	
D679,002	S	3/2013	Rice-Monteiro	
2003/0200964	A1*	10/2003	Blakley et al.	128/200.23
2006/0219240	A1*	10/2006	Djupesland	128/200.18
2010/0108059	A1*	5/2010	Axelsson et al.	128/200.23

FOREIGN PATENT DOCUMENTS

FR 2775904 A1 9/1999
* cited by examiner

Primary Examiner — Ian Simmons
Assistant Examiner — Richelle G Shelton
(74) *Attorney, Agent, or Firm* — Laurence A. Greenberg;
Werner H. Stemer; Ralph E. Locher

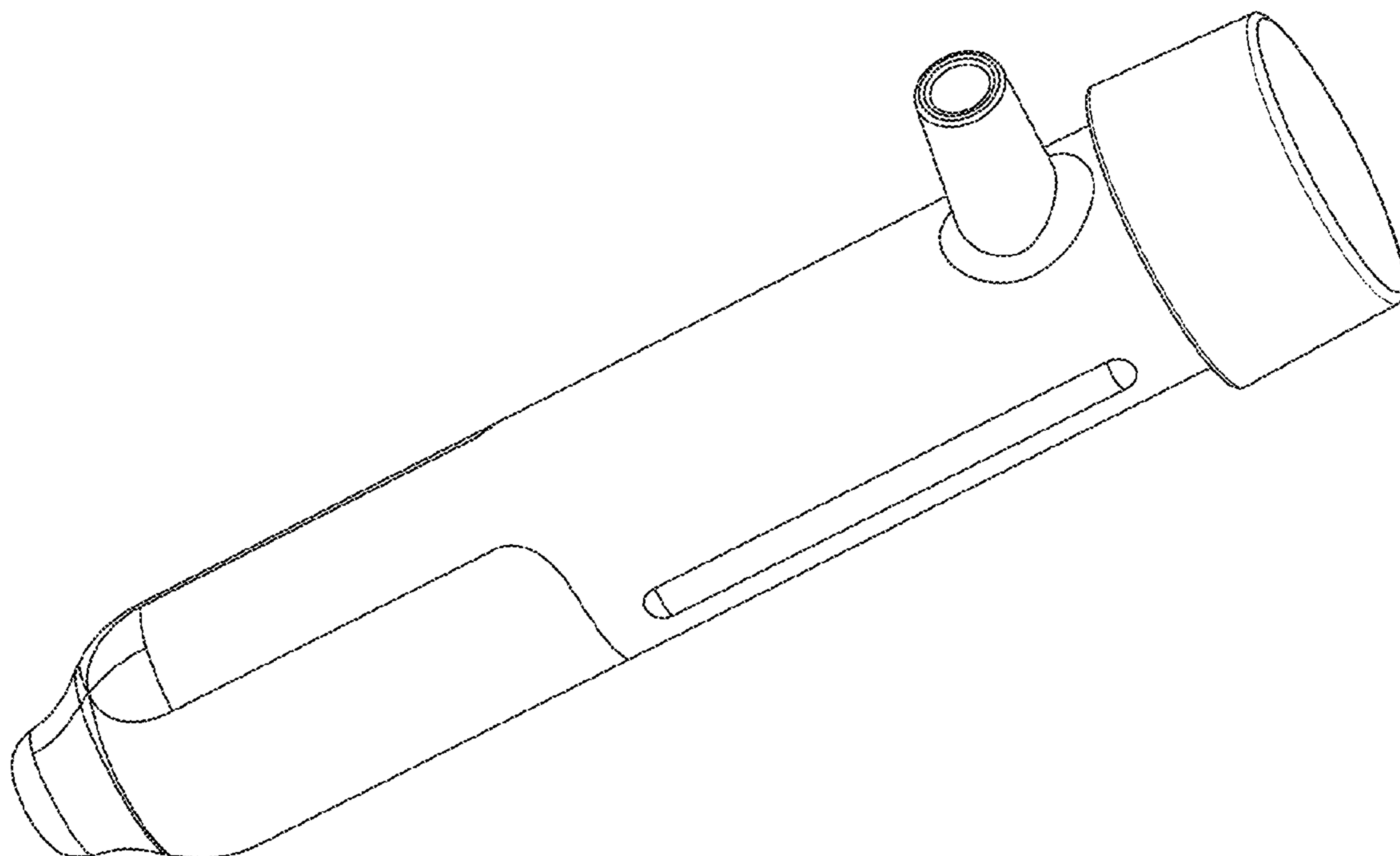
(57) **CLAIM**
The ornamental design for a nasal device, as shown and described.

DESCRIPTION

FIG. 1 is a top perspective view of the nasal device, showing our new design;
FIG. 2 is a top plan view thereof;
FIG. 3 is a left side, top perspective view thereof;
FIG. 4 is a rear perspective view thereof;
FIG. 5 is a bottom perspective view thereof;
FIG. 6 is a bottom perspective view thereof; and,
FIG. 7 is an exploded, side elevation view thereof.

1 Claim, 4 Drawing Sheets

- (56) **References Cited**
U.S. PATENT DOCUMENTS
D26,636 S * 2/1897 Ramey et al. D24/110
1,910,935 A * 5/1933 Smith 604/149
D184,914 S 4/1959 Chastain
4,926,852 A * 5/1990 Zoltan et al. 128/200.23
5,596,982 A * 1/1997 Blaha-Schnabel 128/200.14
D618,335 S 6/2010 Nunez



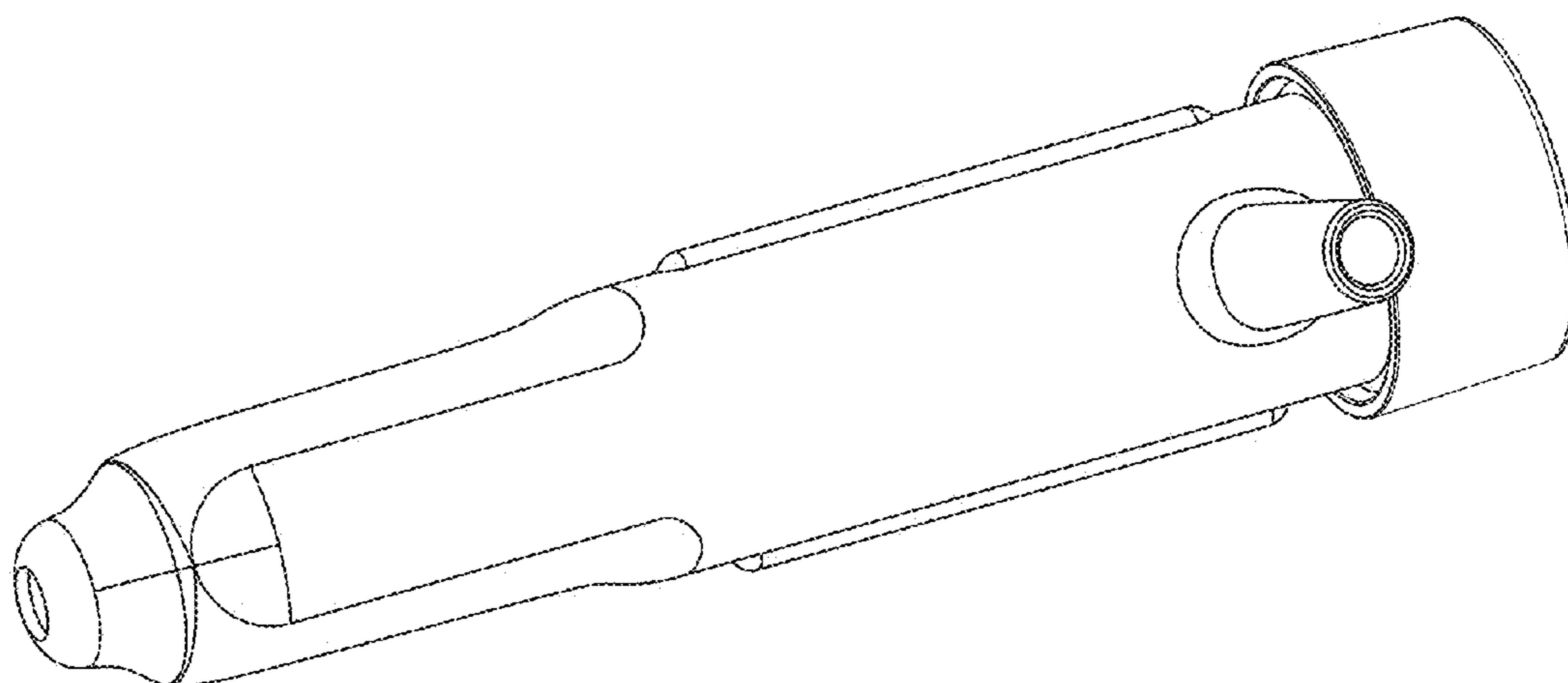


FIG. 1

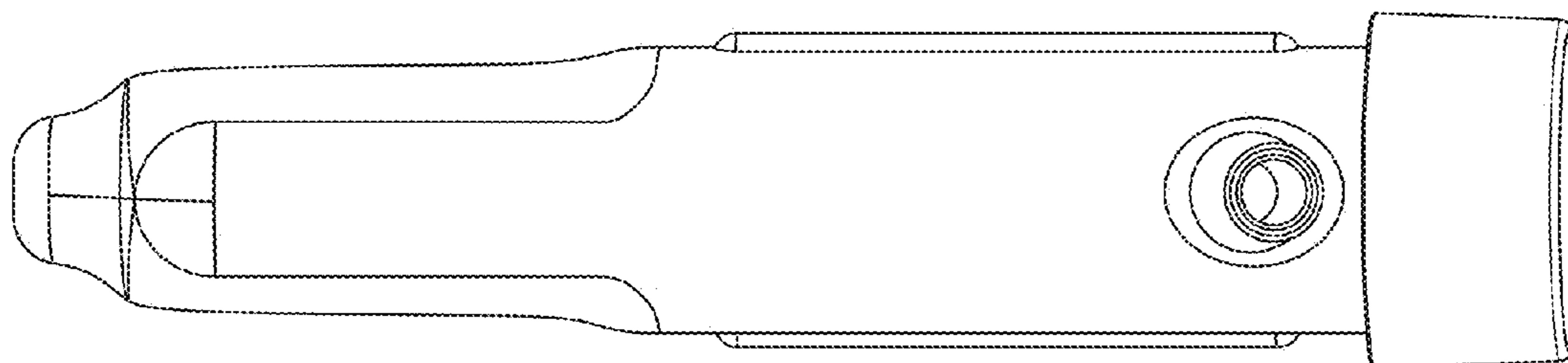


FIG. 2

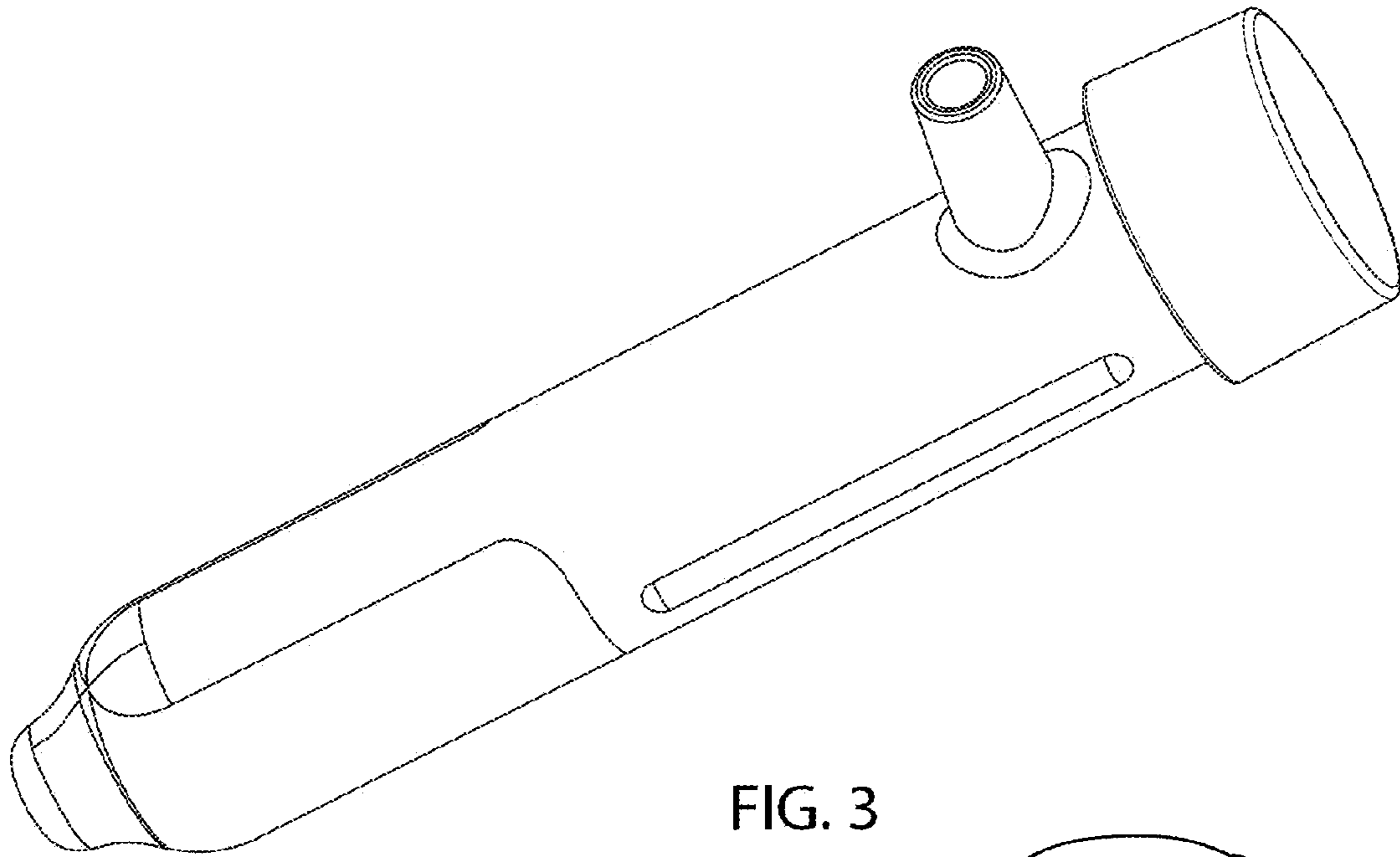


FIG. 3

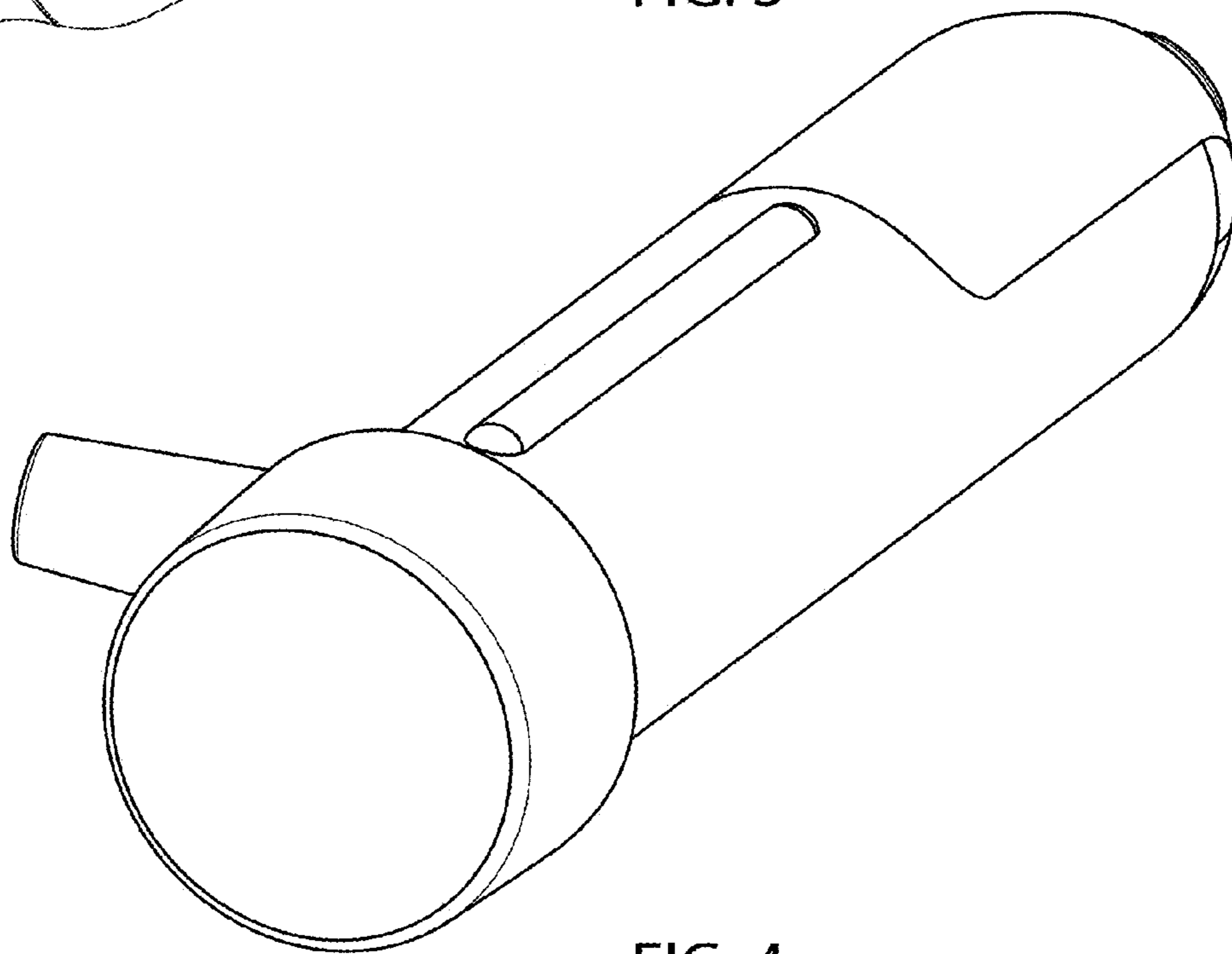


FIG. 4

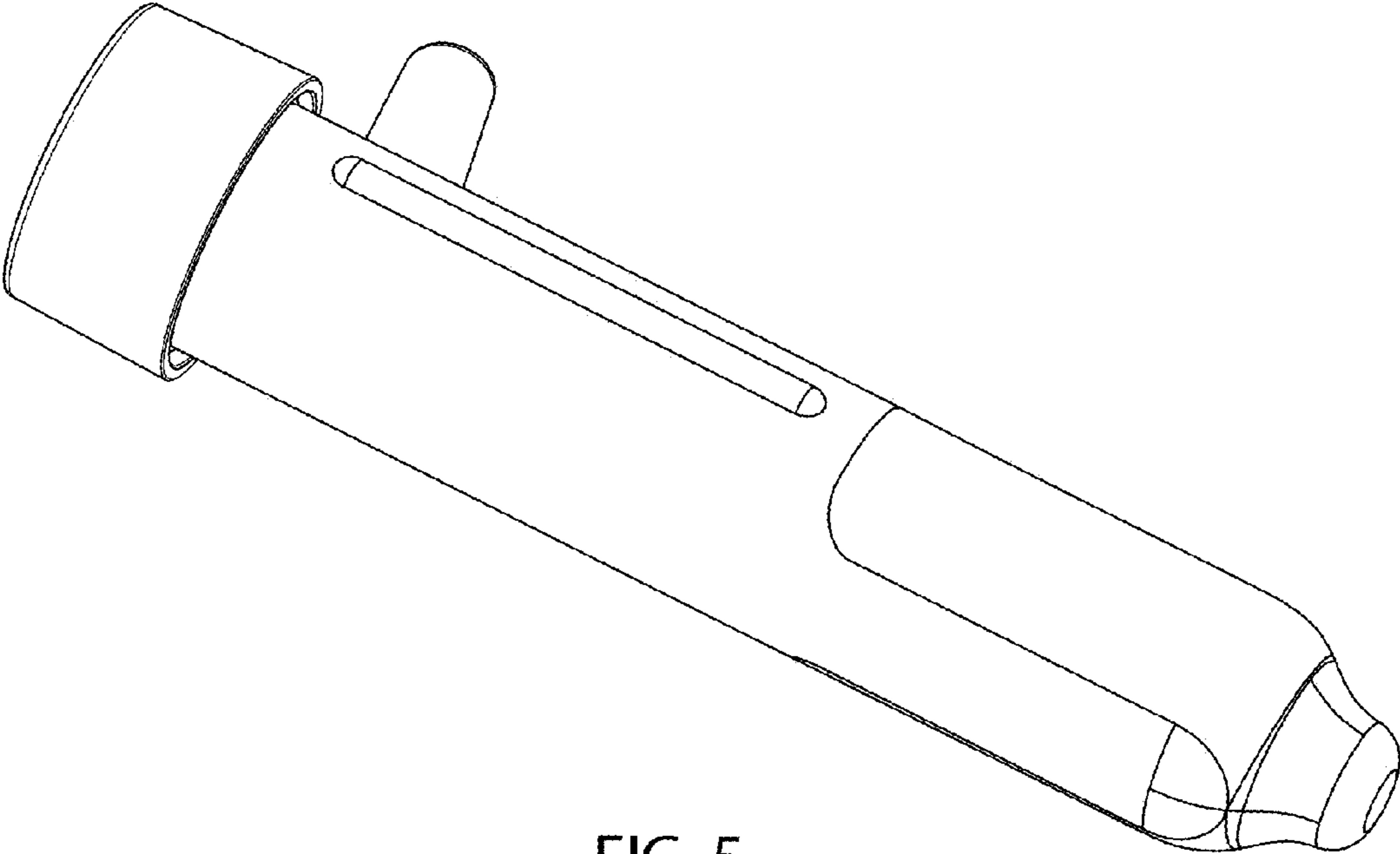


FIG. 5

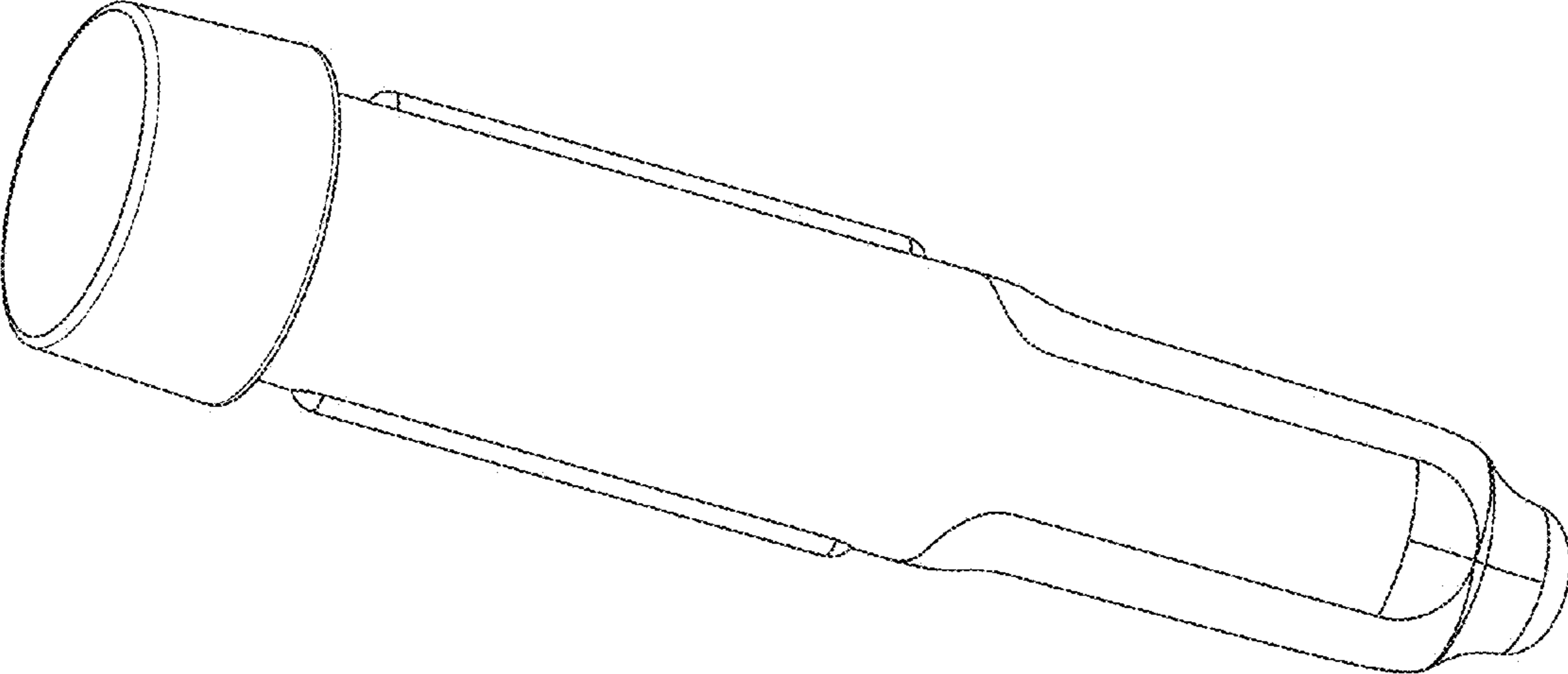


FIG. 6

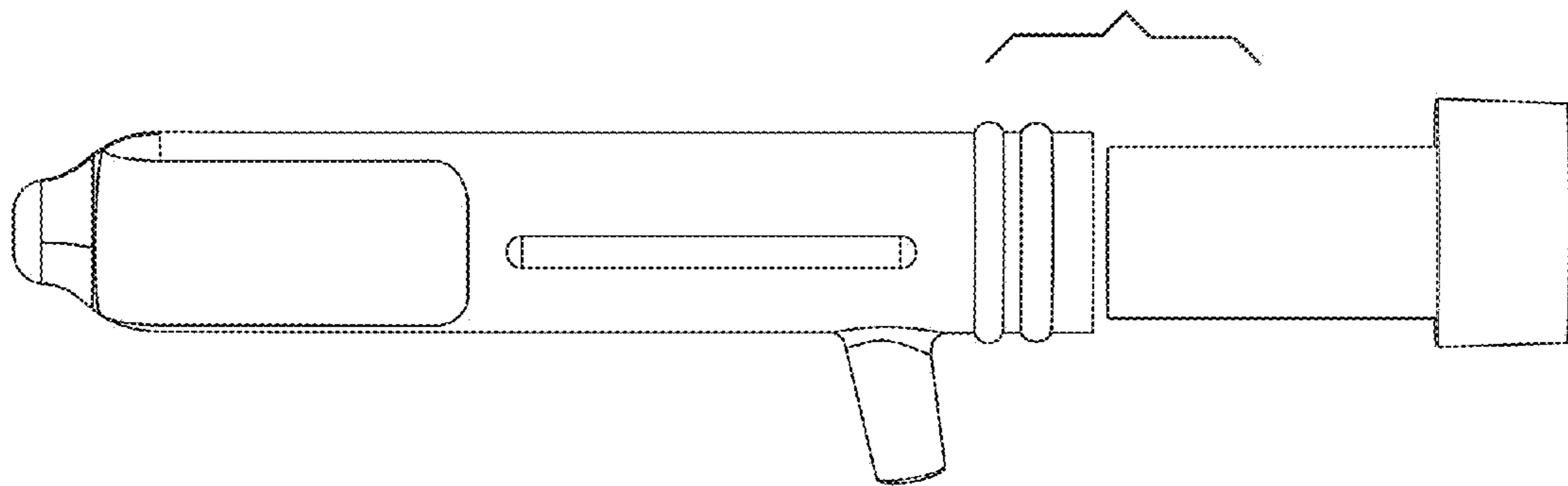


FIG. 7