



US00D701597S

(12) **United States Design Patent**
DeFilippis

(10) **Patent No.:** **US D701,597 S**
(45) **Date of Patent:** **** Mar. 25, 2014**

(54) **FAN**
(71) Applicant: **Spal Automotive S.r.l.**, Correggio (IT)
(72) Inventor: **Pietro DeFilippis**, Varazze (IT)
(73) Assignee: **Spal Automotive S.R.L.** (IT)
(**) Term: **14 Years**
(21) Appl. No.: **29/462,297**
(22) Filed: **Aug. 1, 2013**

(30) **Foreign Application Priority Data**

Feb. 26, 2013 (EM) 001362297-0001

(51) **LOC (10) Cl.** **23-04**

(52) **U.S. Cl.**
USPC **D23/414; D23/370**

(58) **Field of Classification Search**
USPC D23/370-385, 411-414, 365, 364;
415/60, 66, 68, 208.1, 213.1, 214.1;
310/257; 361/695; 126/299 D, 299 R;
D26/51, 72, 73; D32/15, 16; 416/189;
D13/179
See application file for complete search history.

(56) **References Cited**

U.S. PATENT DOCUMENTS

104,579 A * 6/1870 Greenwell 416/189
2,483,654 A * 10/1949 Magdeburger 415/68
2,745,353 A * 5/1956 Syrovoy 416/189

3,156,970 A * 11/1964 Zojac 29/889.5
3,305,214 A * 2/1967 Kennedy 415/67
D561,323 S * 2/2008 Shirahama et al. D23/370
D561,324 S * 2/2008 Shirahama et al. D23/370
D561,325 S * 2/2008 Shirahama et al. D23/370
7,905,448 B2 * 3/2011 Sjunnesson et al. 244/54
D663,411 S * 7/2012 Naya et al. D23/411
2003/0077174 A1 * 4/2003 Kim 416/186 R
2010/0275614 A1 * 11/2010 Fontaine et al. 60/797
2012/0189451 A1 * 7/2012 Innocenti et al. 416/189
2012/0213633 A1 * 8/2012 Samuelsson et al. 415/208.1
2013/0149130 A1 * 6/2013 Hasting et al. 415/208.1

* cited by examiner

Primary Examiner — Susan Bennett Hattan

Assistant Examiner — Janice Hallmark

(74) *Attorney, Agent, or Firm* — Timothy J. Klima;
Shuttleworth & Ingersoll, PLC

(57) **CLAIM**

The ornamental design for a fan, as shown and described.

DESCRIPTION

FIG. 1 is a perspective front view showing a fan;
FIG. 2 is a perspective rear view;
FIG. 3 is a front view;
FIG. 4 is a rear view;
FIG. 5 is a right side view, with respect to FIG. 1;
FIG. 6 is a left side view, with respect to FIG. 1;
FIG. 7 is a top side view, with respect to FIG. 1; and,
FIG. 8 is a bottom side view with respect to FIG. 1.

1 Claim, 3 Drawing Sheets

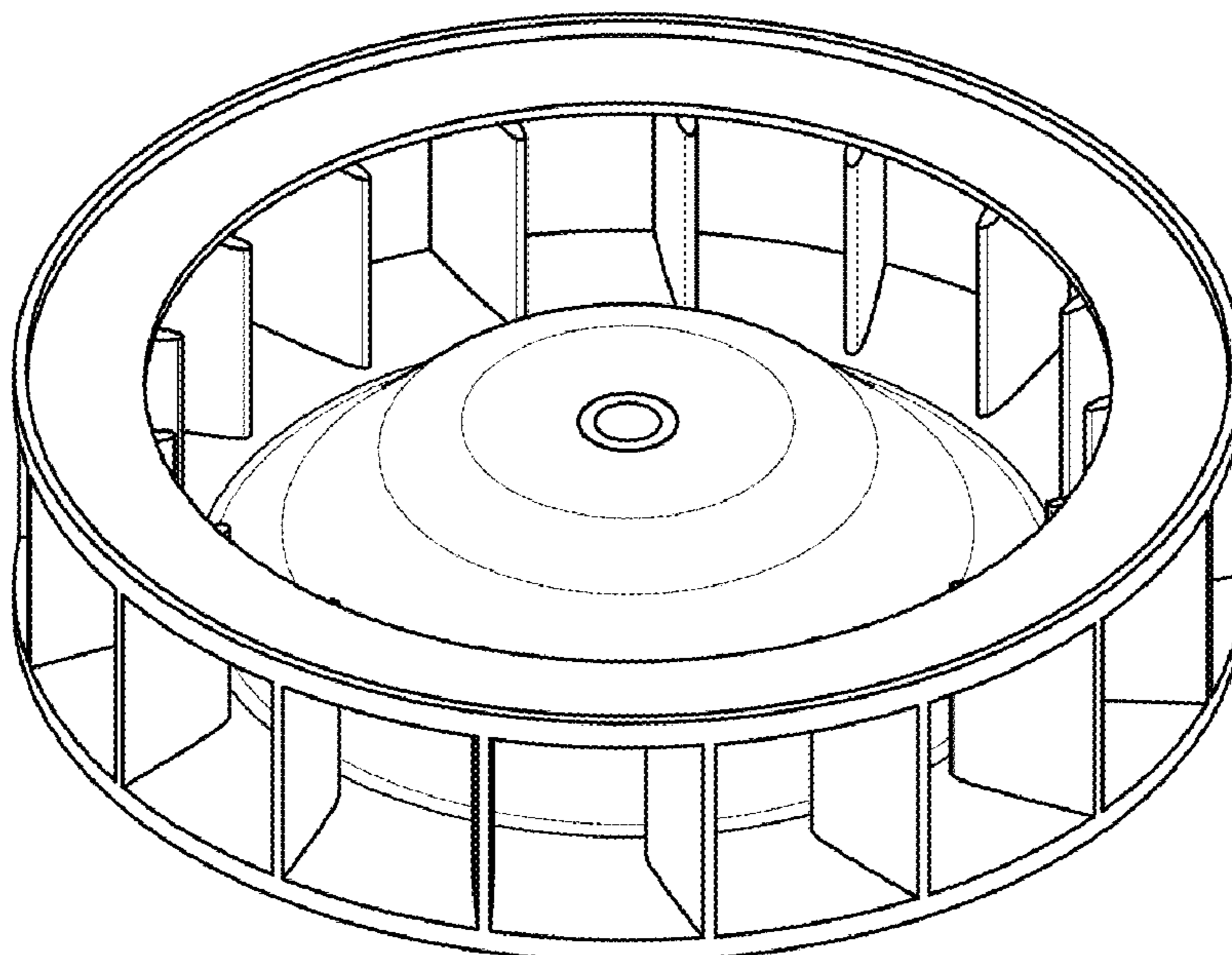


FIG.1

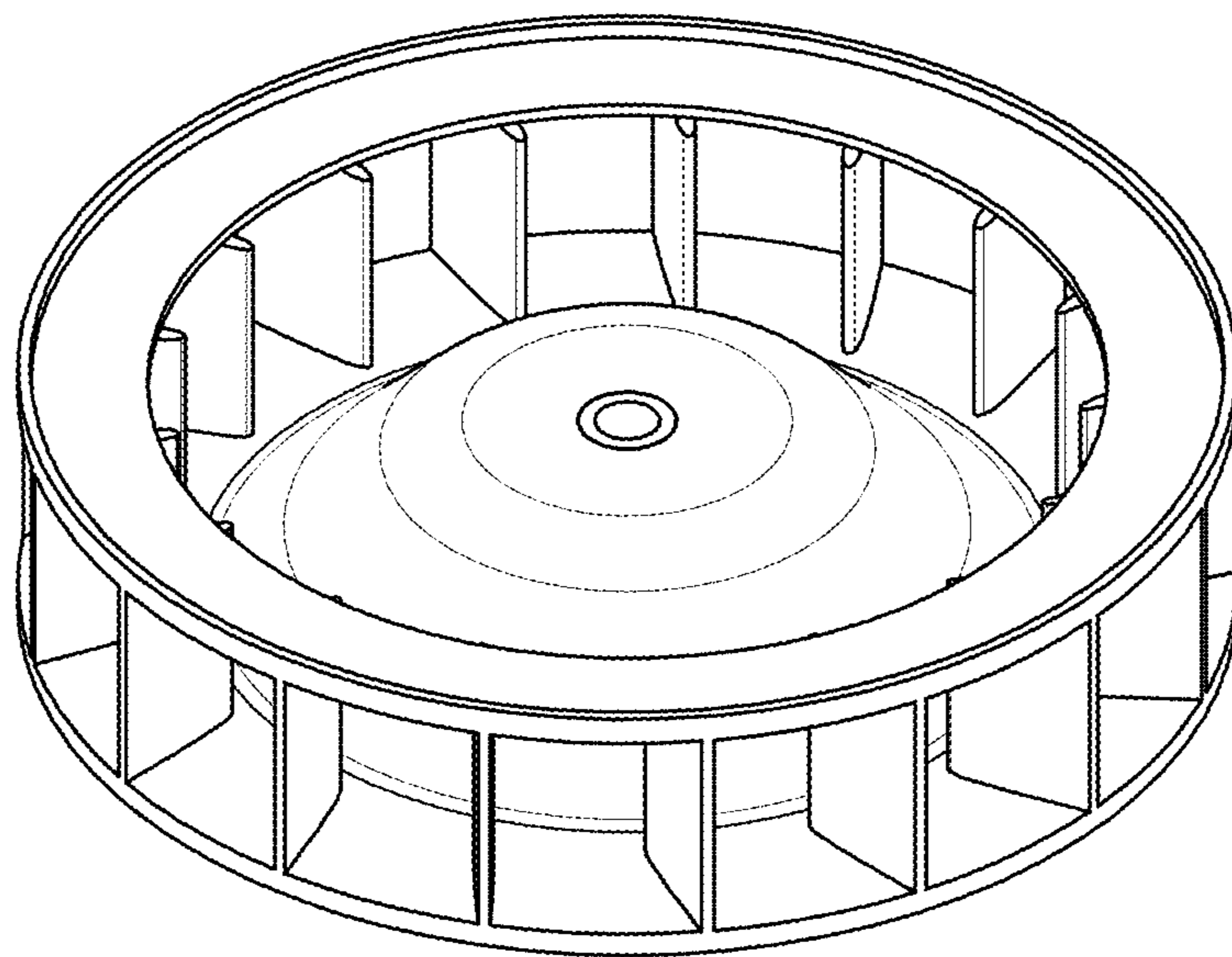


FIG.2

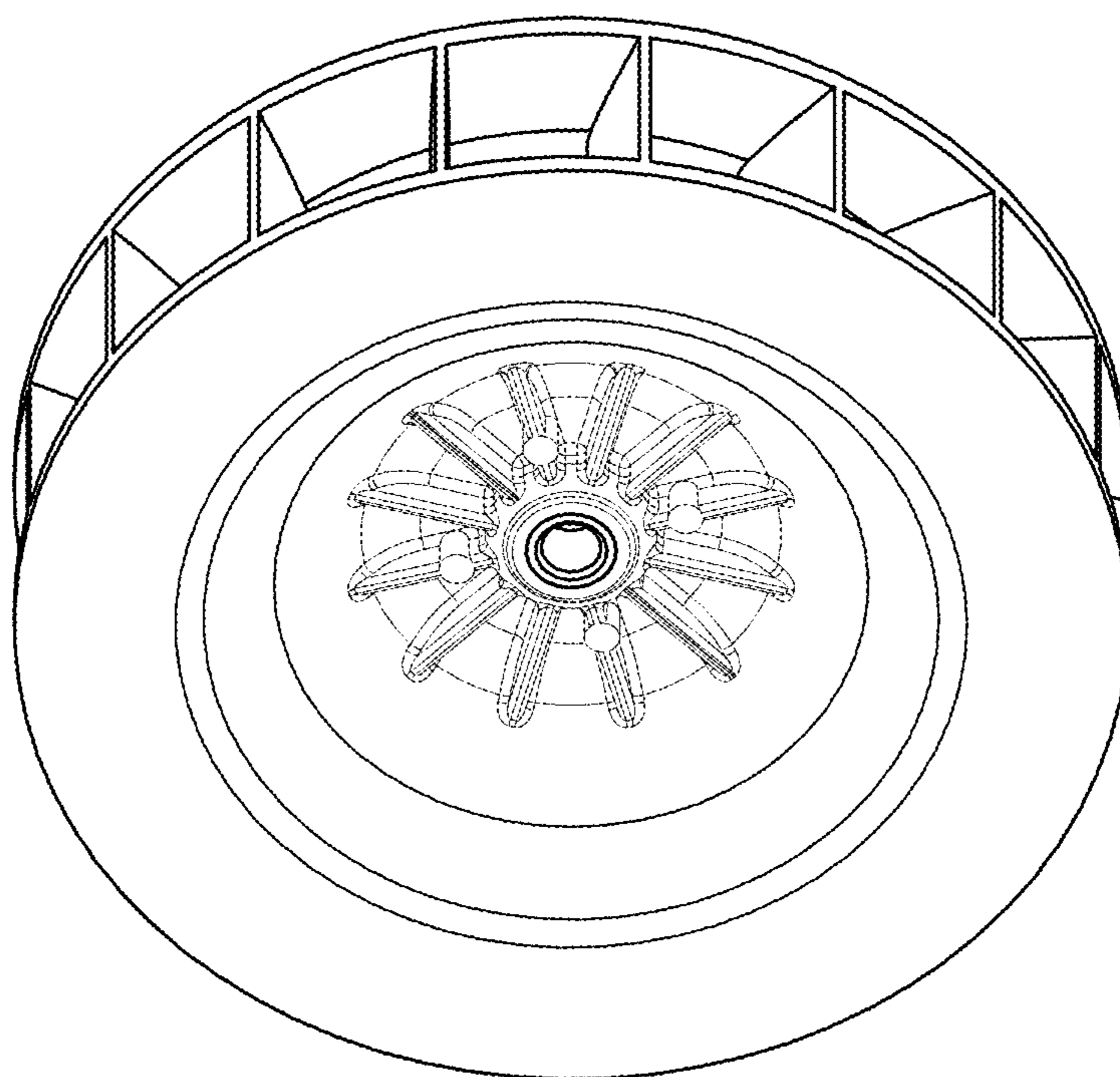


FIG.3

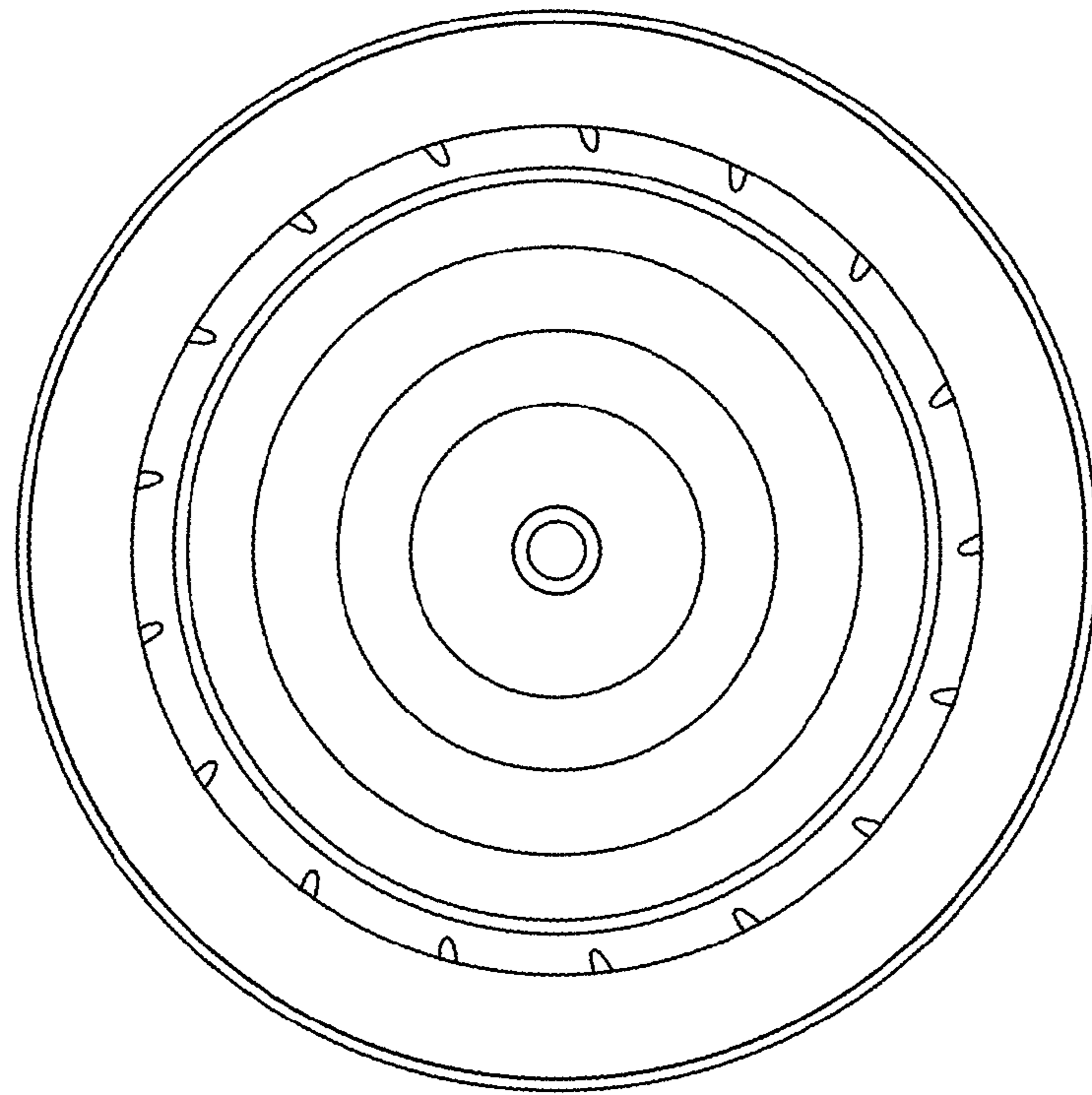


FIG.4

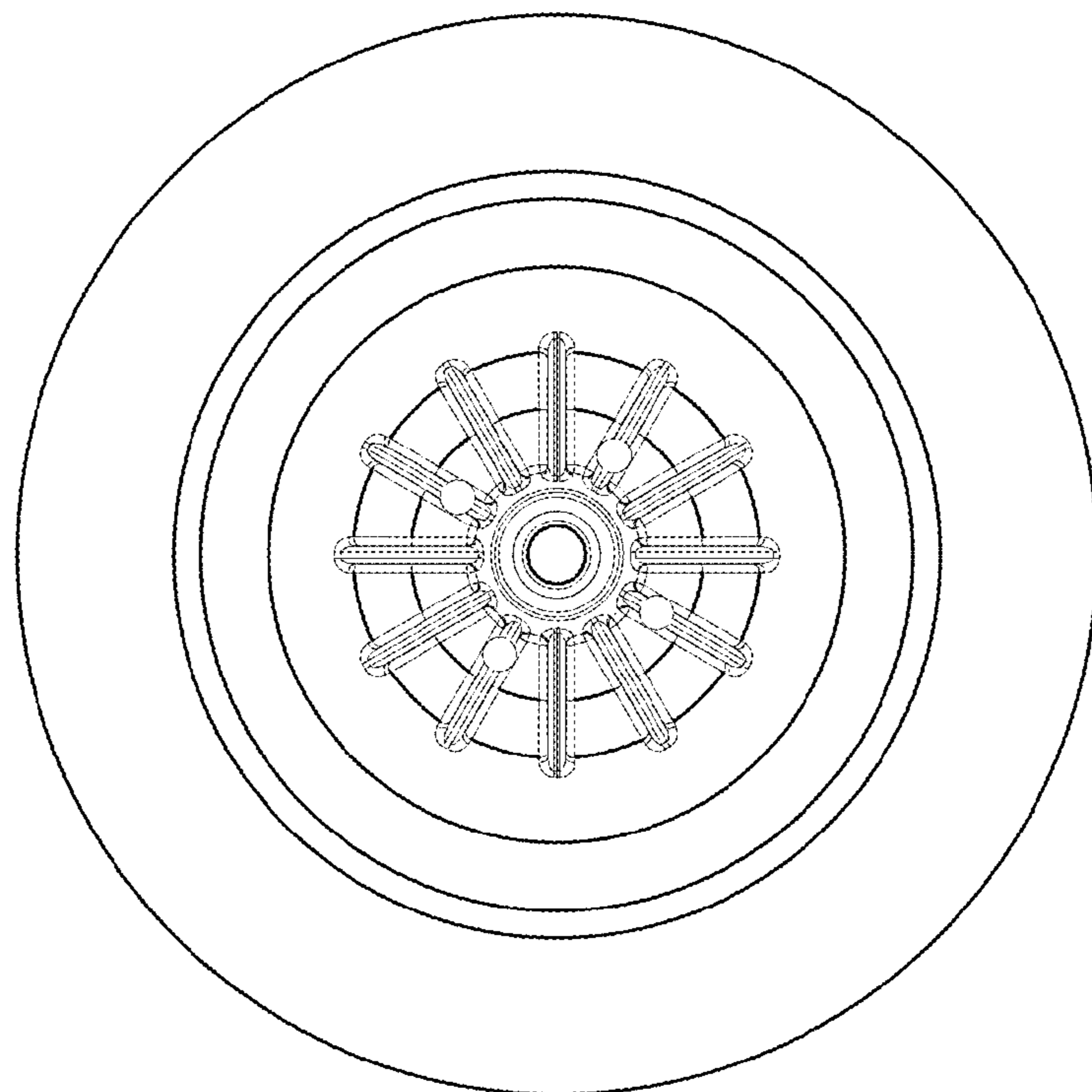


FIG.8

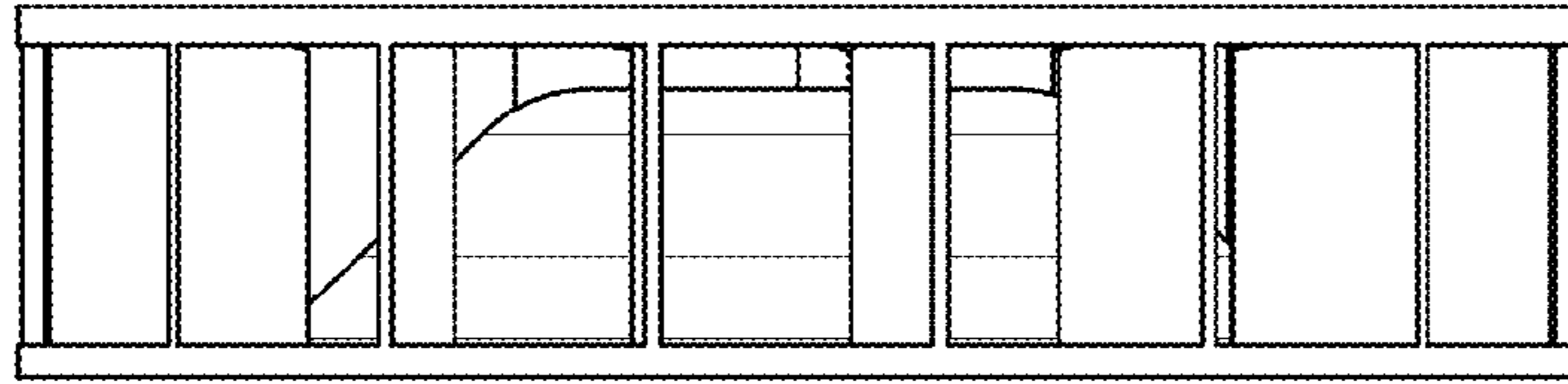


FIG.5

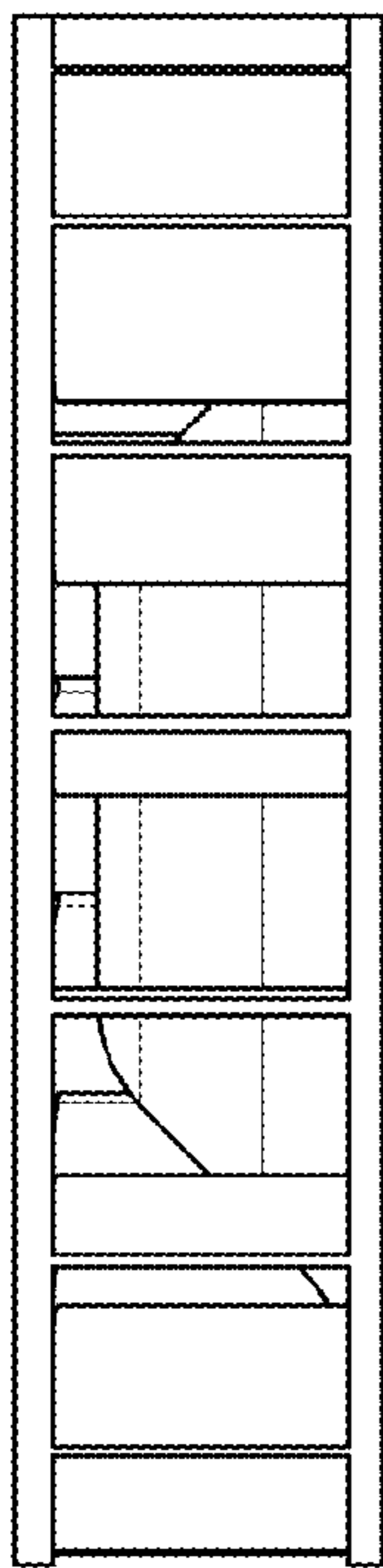


FIG.6

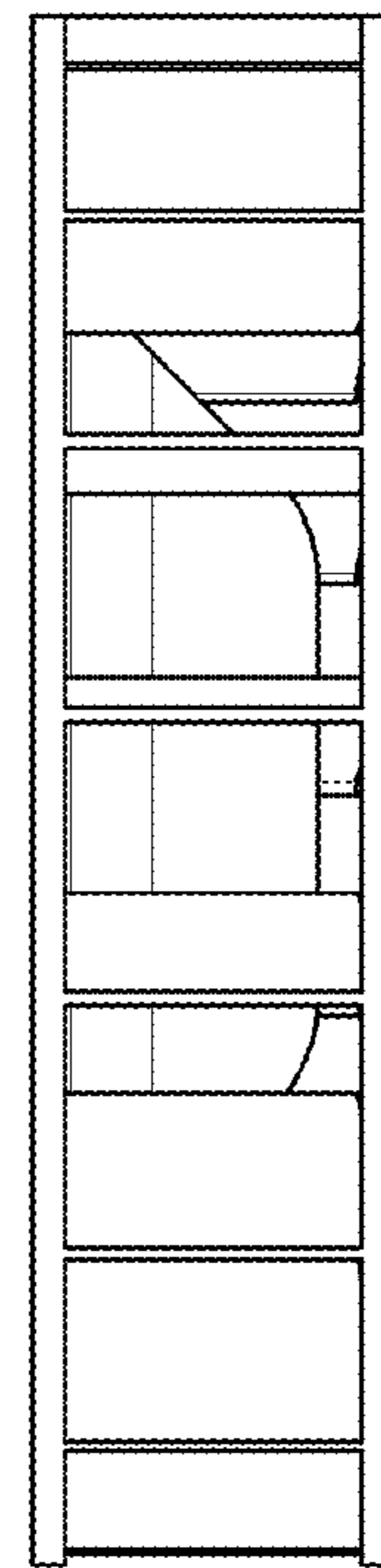


FIG.7

