

US00D701595S

(12) **United States Design Patent**
Blum

(10) **Patent No.:** **US D701,595 S**
(45) **Date of Patent:** **** Mar. 25, 2014**

- (54) **BATHTUB DRAIN BOX**
- (71) Applicant: **Mark Blum**, Livermore, CA (US)
- (72) Inventor: **Mark Blum**, Livermore, CA (US)
- (**) Term: **14 Years**
- (21) Appl. No.: **29/432,817**
- (22) Filed: **Sep. 20, 2012**
- (51) **LOC (10) Cl.** **23-02**
- (52) **U.S. Cl.**
USPC **D23/304**
- (58) **Field of Classification Search**
USPC D23/277, 280.1, 283, 303-304, 275,
D23/308; 4/696, 668, 661, 694, 584, 538,
4/612, 682, 690, 693, 669, 559;
137/247.11, 410, 428
See application file for complete search history.

3,593,344	A *	7/1971	Logsdon	4/679
4,338,688	A *	7/1982	Petty	4/696
4,646,370	A *	3/1987	Risberg et al.	4/661
D372,077	S *	7/1996	Trueb et al.	D23/308
D393,700	S *	4/1998	Trueb et al.	D23/308
D505,188	S *	5/2005	Bayer	D23/293.1
7,325,565	B1 *	2/2008	Peterson	137/414
8,387,652	B2 *	3/2013	Guthrie	137/414
D680,633	S *	4/2013	Santiago	D23/308

* cited by examiner

Primary Examiner — Robert Delehanty
(74) *Attorney, Agent, or Firm* — Gerald R Prettyman

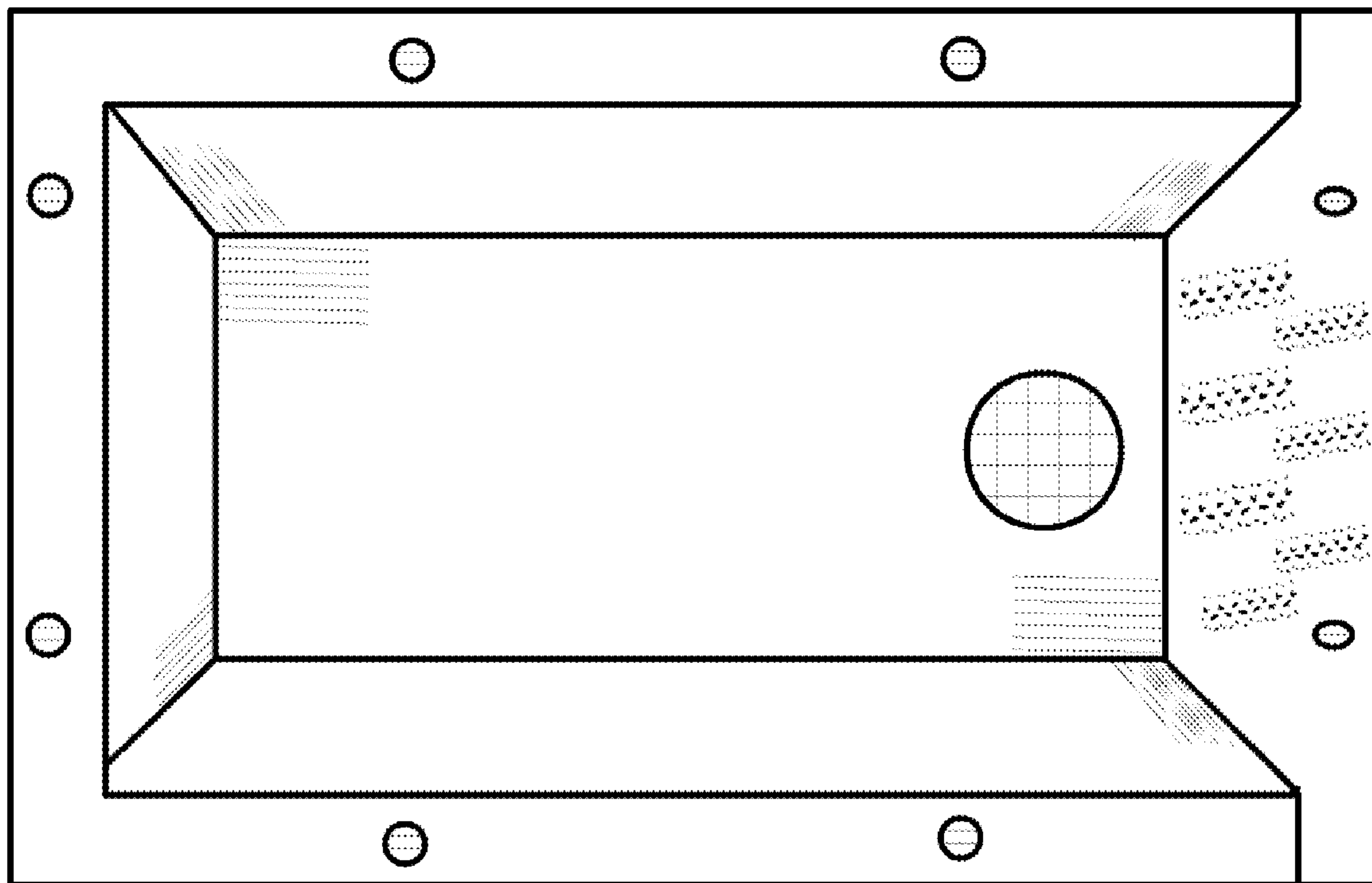
(57) **CLAIM**
The ornamental design for bathtub drain box, as shown.

DESCRIPTION

FIG. 1 is a top plan view of a bathtub drain box.
FIG. 2 is a side and bottom perspective view of a bathtub drain box.
FIG. 3 is a front and bottom perspective view of a bathtub drain box; and,
FIG. 4 is rear and bottom perspective view of a bathtub drain box.

1 Claim, 4 Drawing Sheets

- (56) **References Cited**
U.S. PATENT DOCUMENTS
1,222,123 A * 4/1917 Nysewander 137/265
2,672,152 A * 3/1954 Mustee 4/696



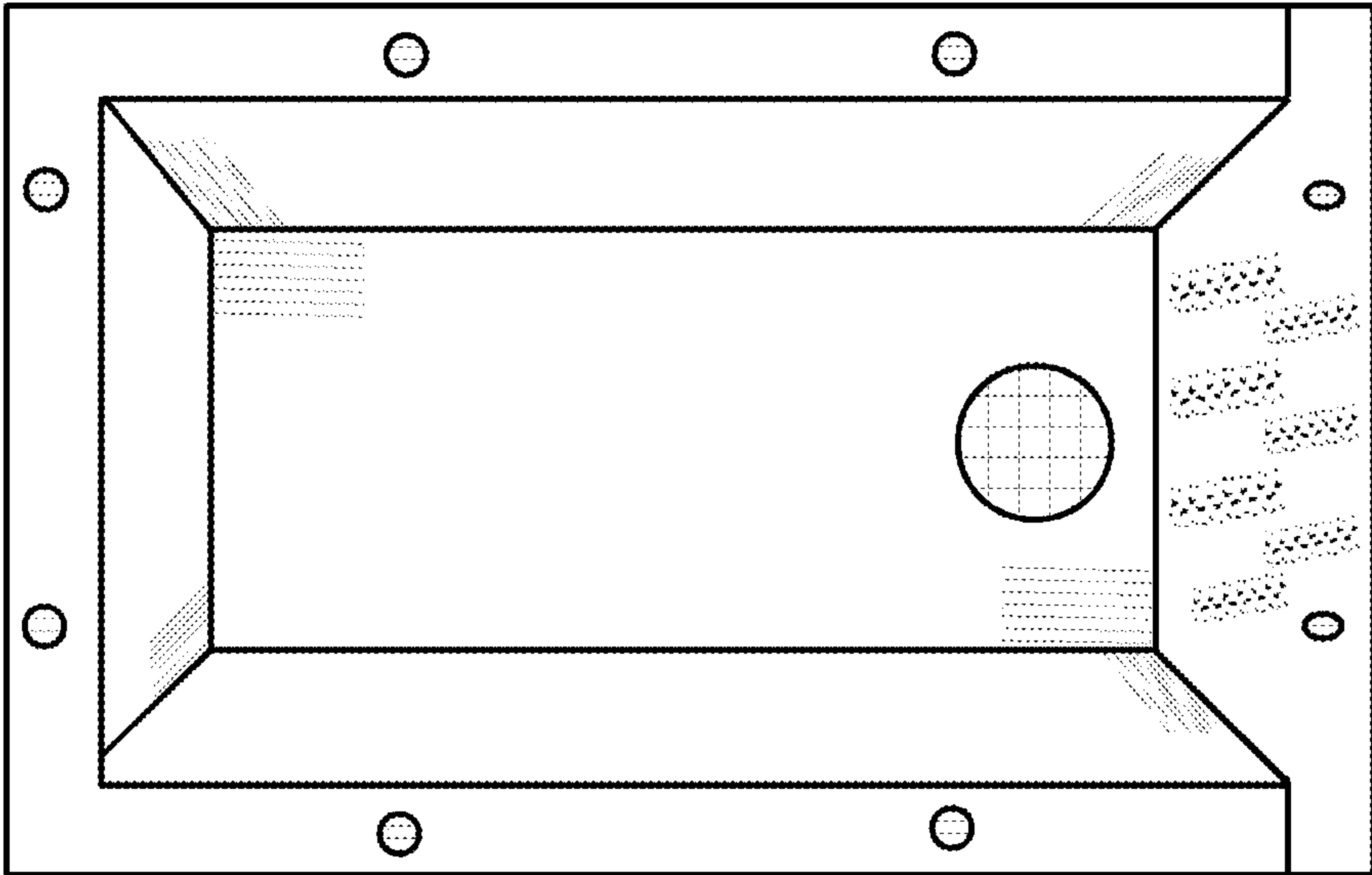


FIG. 1

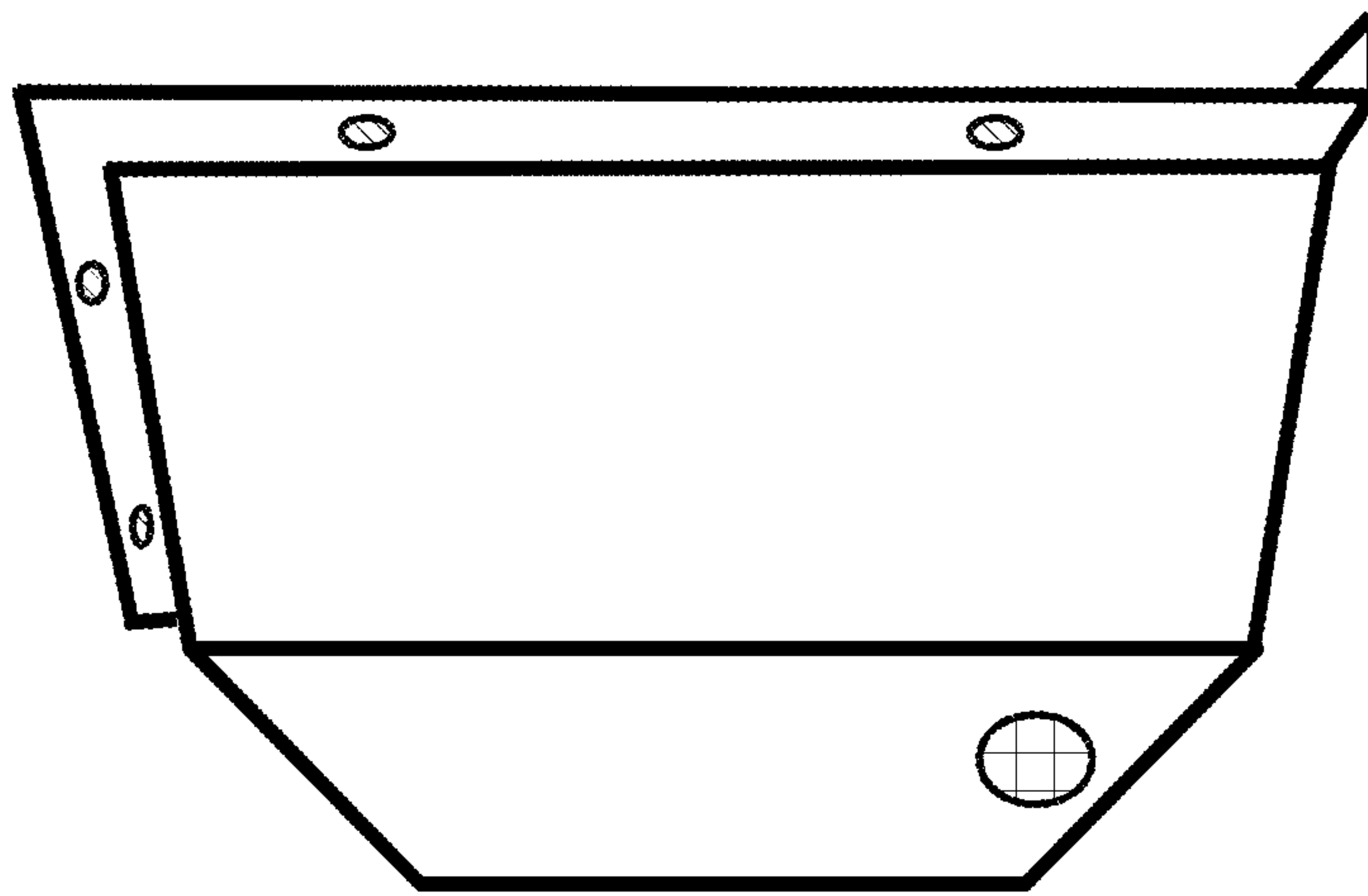


FIG. 2

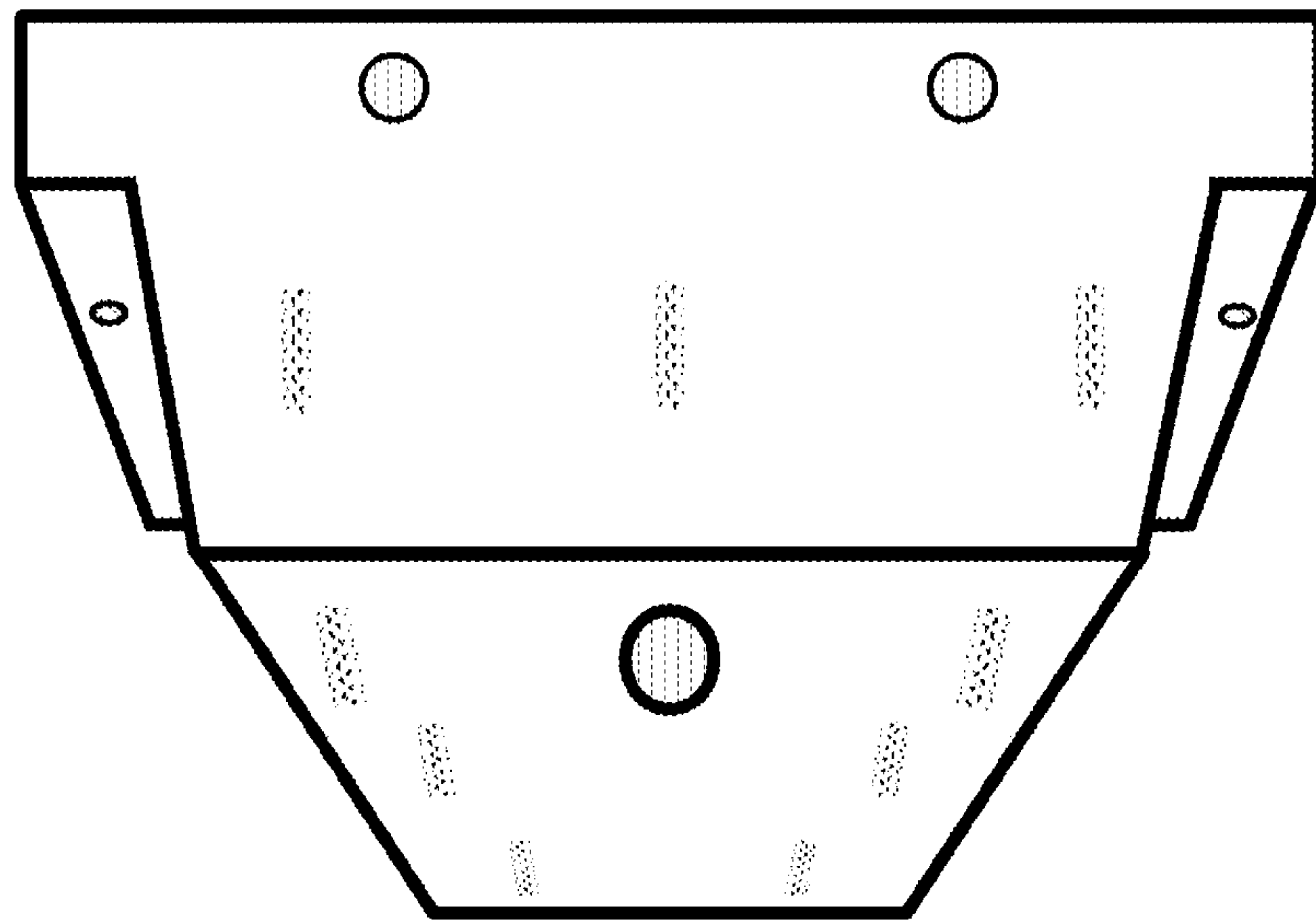


FIG. 3

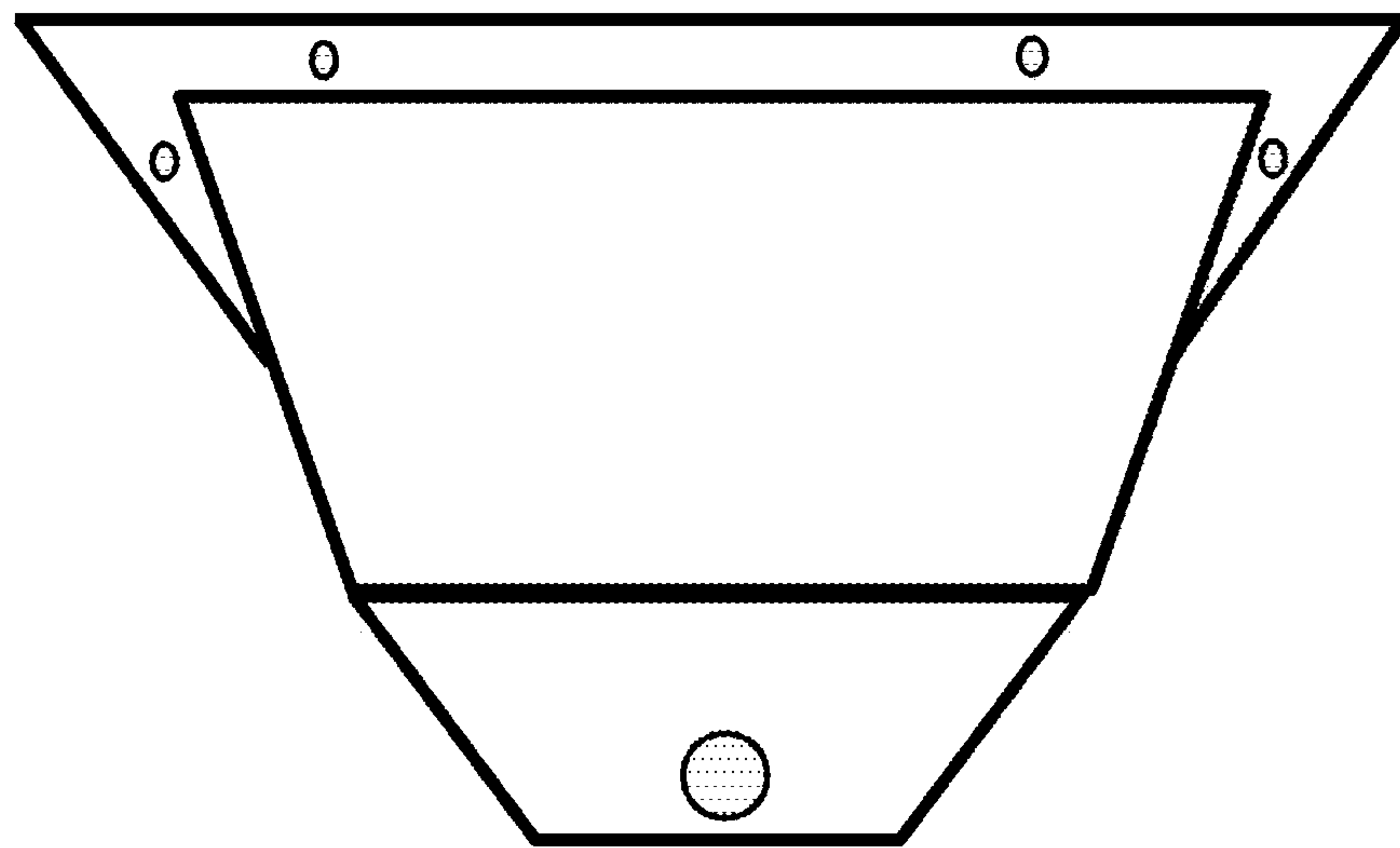


FIG. 4