



US00D701593S

(12) **United States Design Patent**  
**Milne**

(10) **Patent No.:** **US D701,593 S**  
(45) **Date of Patent:** **\*\* Mar. 25, 2014**

(54) **TRAP SEAL PRIMER DEVICE**  
(71) Applicant: **Jay Bradley Milne**, Minesing (CA)  
(72) Inventor: **Jay Bradley Milne**, Minesing (CA)  
(\*\*) Term: **14 Years**  
(21) Appl. No.: **29/447,991**  
(22) Filed: **Mar. 8, 2013**

D461,234 S \* 8/2002 Hanna ..... D23/268  
D501,533 S \* 2/2005 Robinson et al. .... D23/209  
D553,226 S \* 10/2007 Wisek ..... D23/268  
D673,244 S \* 12/2012 Magargal et al. .... D23/260

\* cited by examiner

*Primary Examiner* — Eric Goodman  
(74) *Attorney, Agent, or Firm* — Banner & Witcoff, Ltd.

(30) **Foreign Application Priority Data**

Sep. 18, 2012 (CA) ..... 147541  
(51) **LOC (10) Cl.** ..... **23-01**  
(52) **U.S. Cl.**  
USPC ..... **D23/268**  
(58) **Field of Classification Search**  
USPC ..... D23/267-268; 210/170, 170.01,  
210/170.03, 162-166, 474; 404/4-5  
See application file for complete search history.

(57) **CLAIM**  
The ornamental design for a trap seal primer device, as shown and described.

**DESCRIPTION**

FIG. 1 is a front perspective view of a trap seal primer device showing my new design;  
FIG. 2 is a left side view thereof;  
FIG. 3 is a front view thereof;  
FIG. 4 is a rear view thereof;  
FIG. 5 is a right side view thereof;  
FIG. 6 is a top view thereof; and,  
FIG. 7 is a bottom view thereof.  
The broken line showing of various features in the figures is for environmental purposes only and forms no part of the claimed design.

(56) **References Cited**

**U.S. PATENT DOCUMENTS**

4,032,455 A \* 6/1977 Kale ..... 210/435  
D354,552 S \* 1/1995 Weber ..... D23/261

**1 Claim, 6 Drawing Sheets**

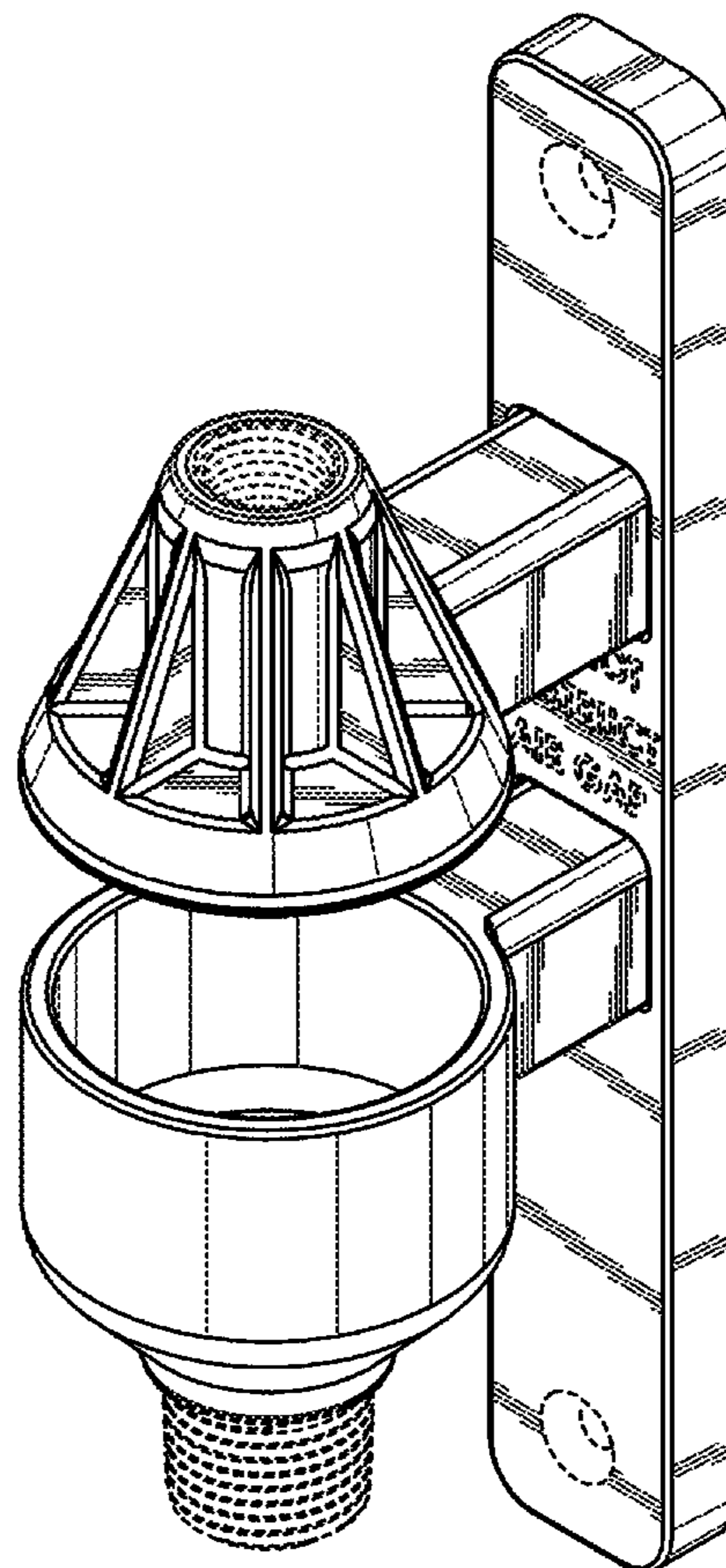
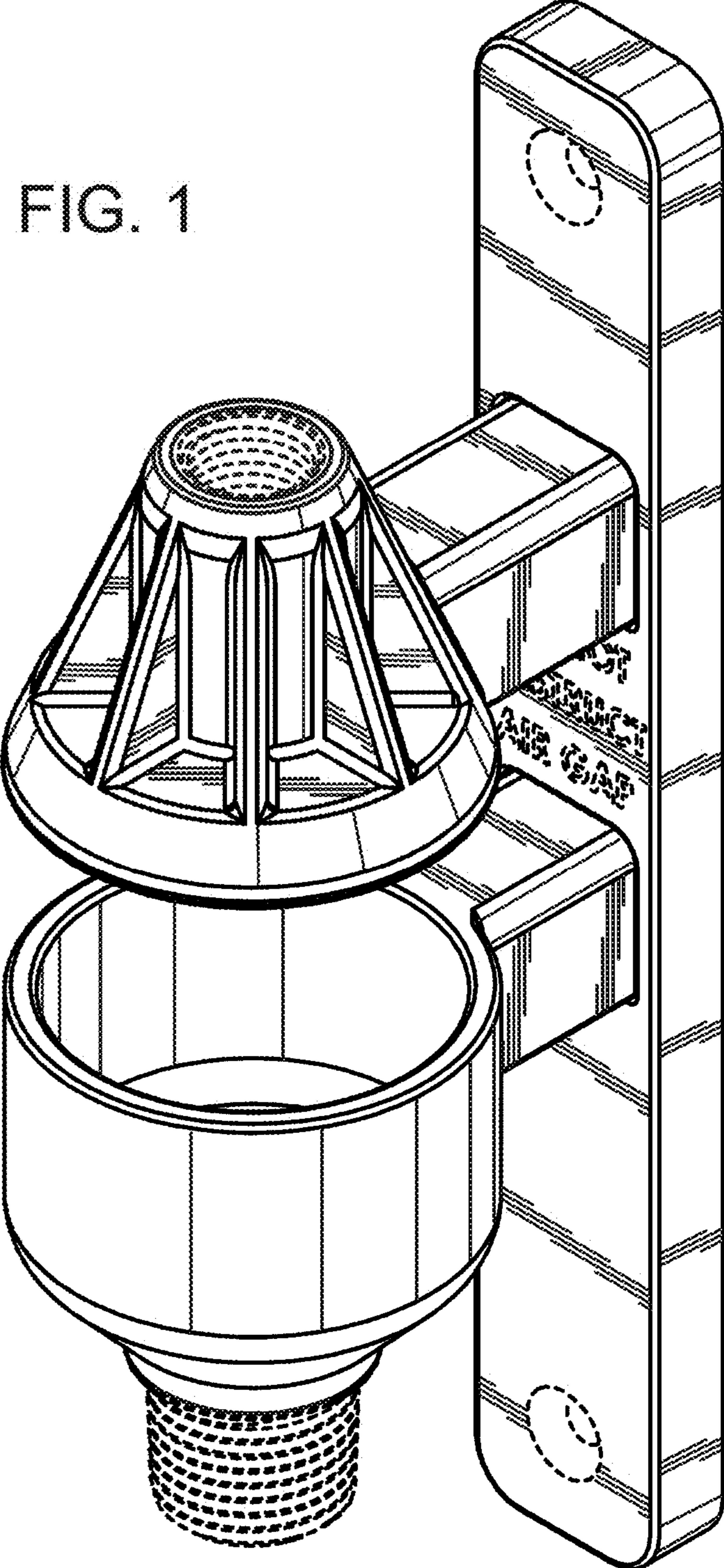


FIG. 1



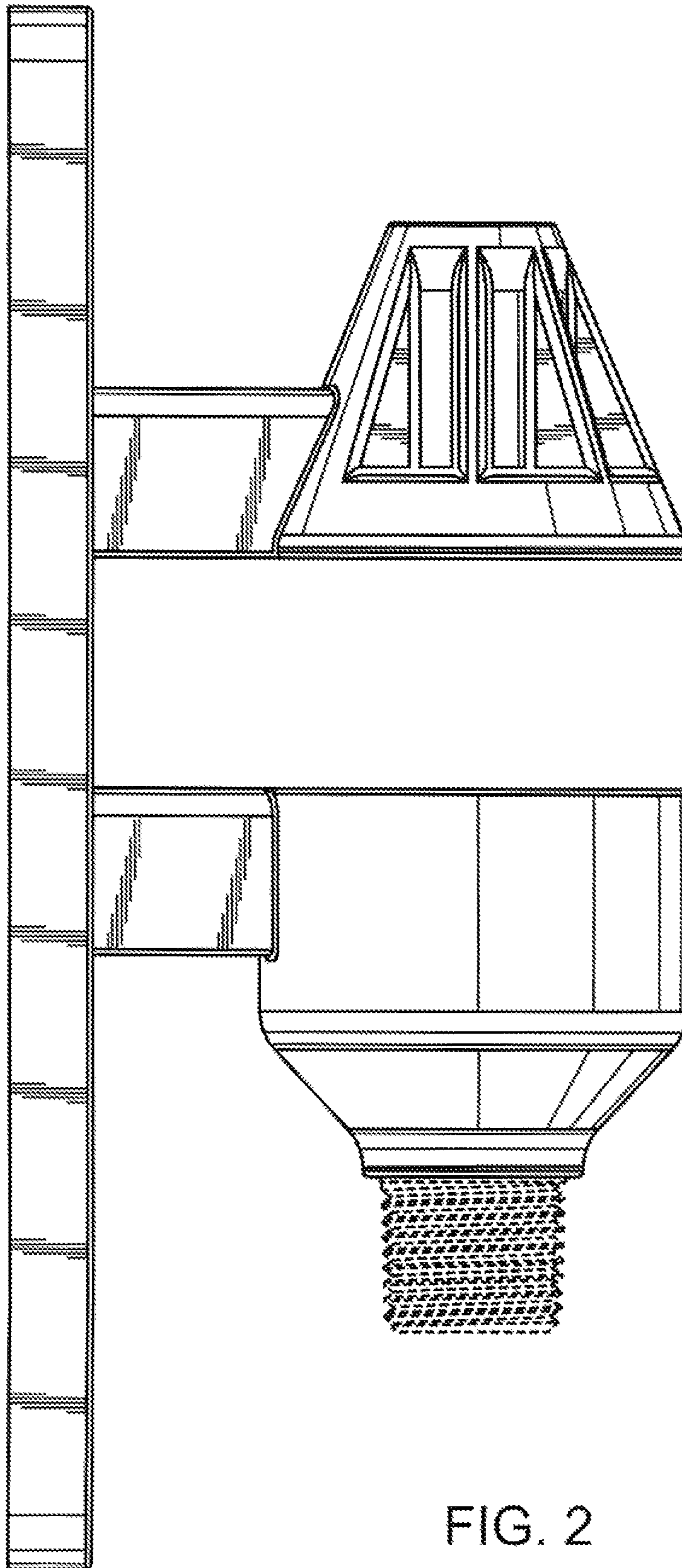


FIG. 2

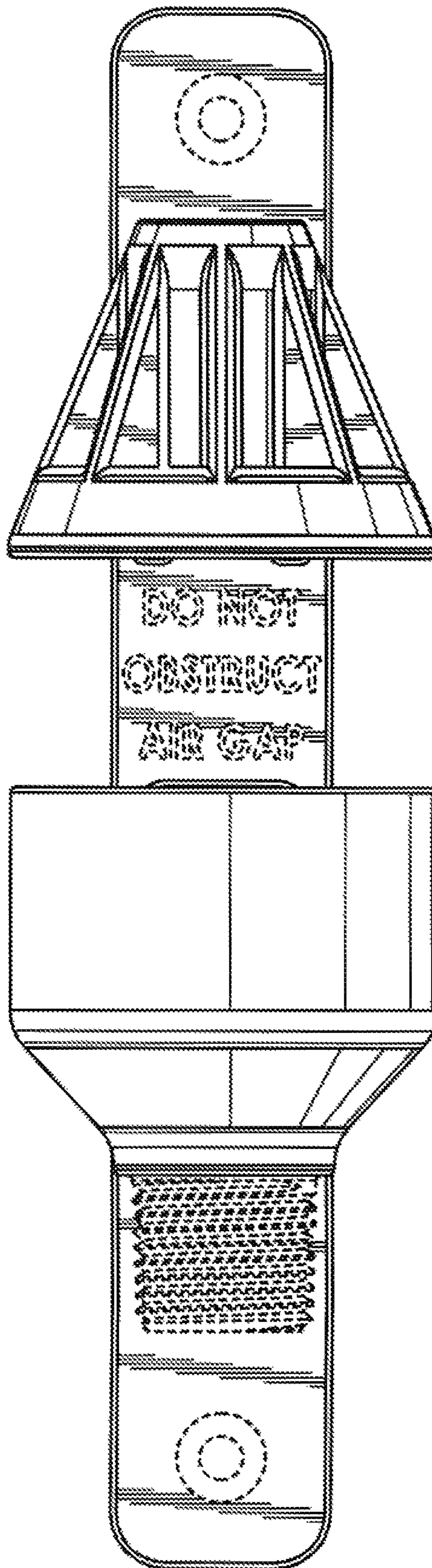


FIG. 3

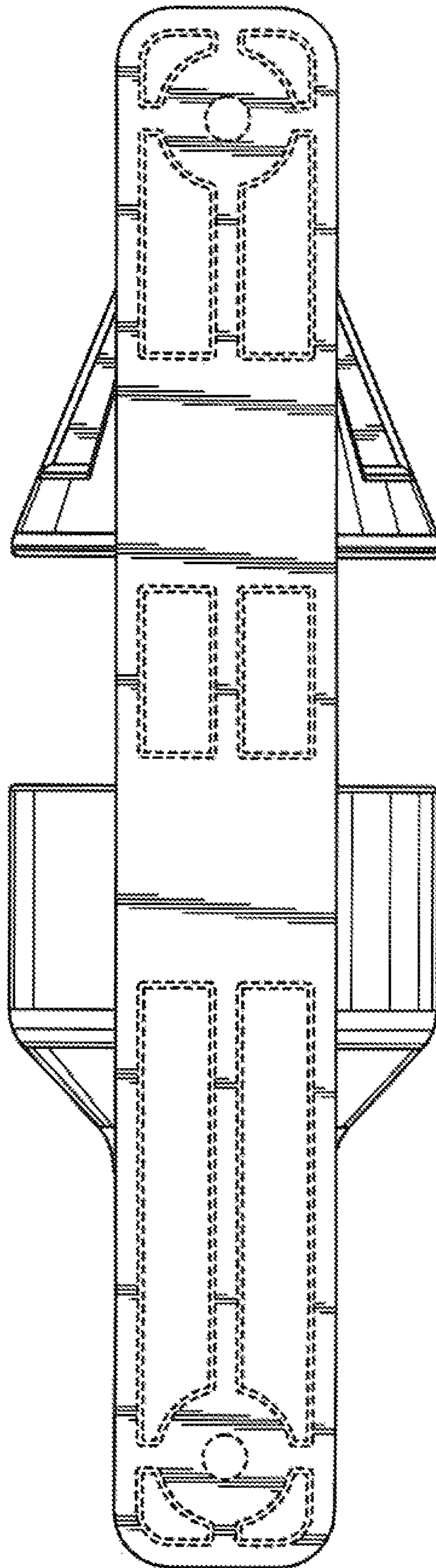


FIG. 4

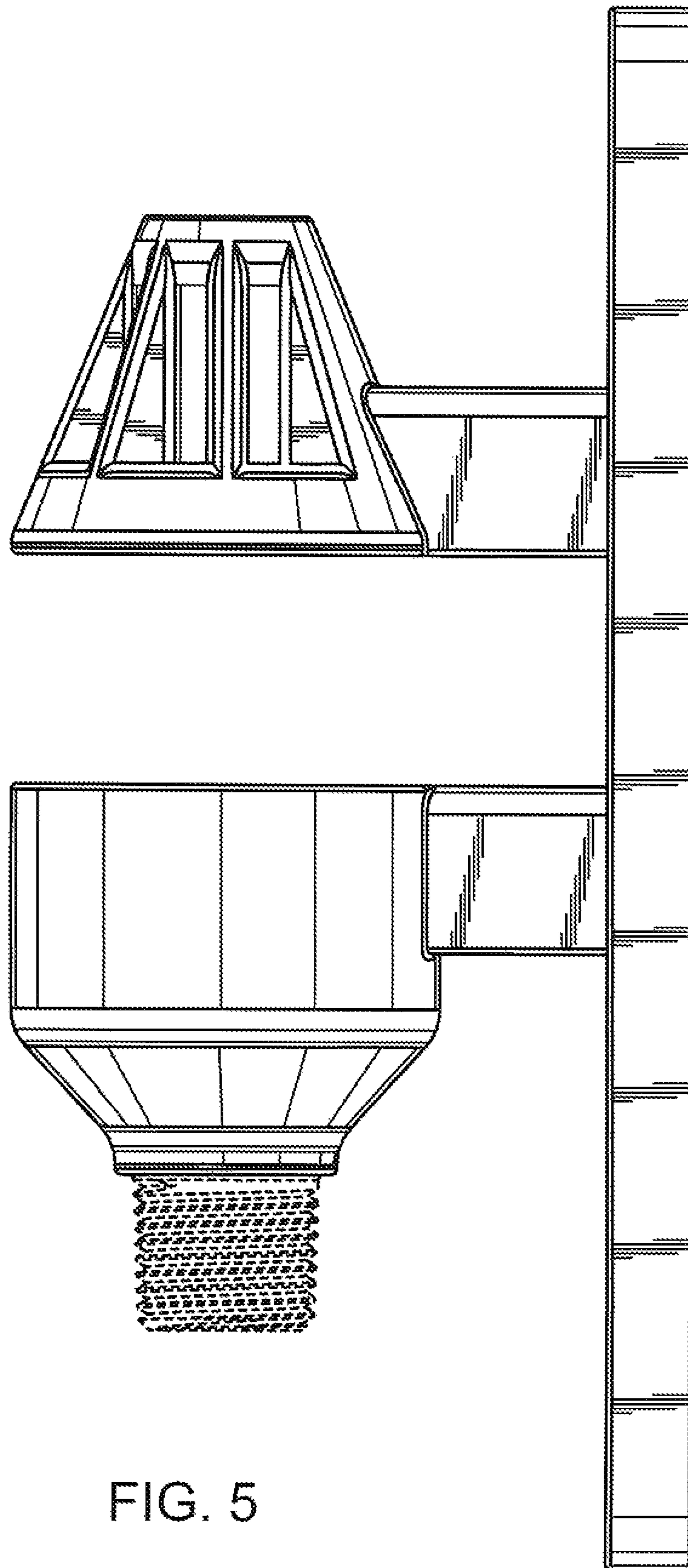


FIG. 5

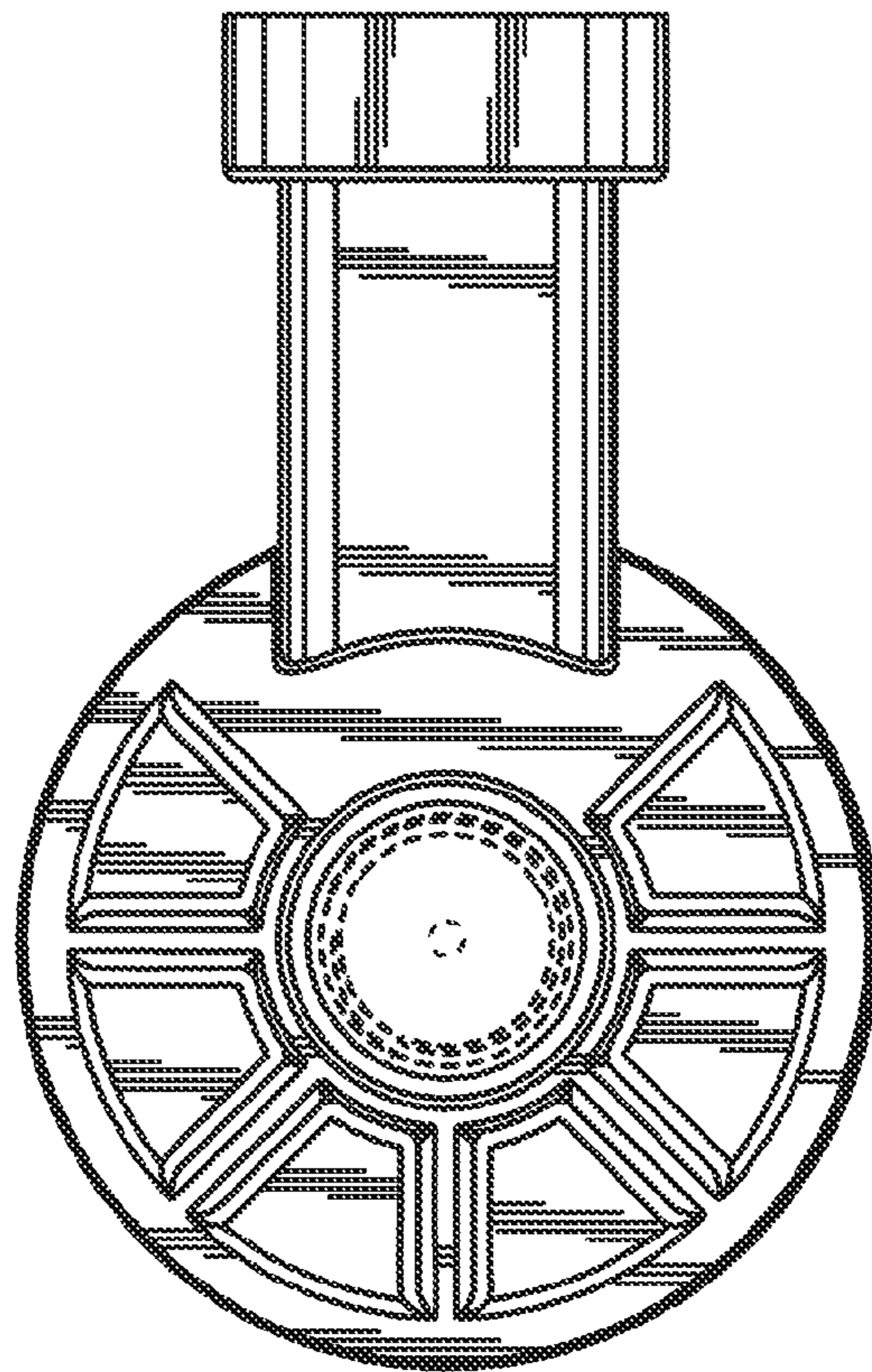


FIG. 6

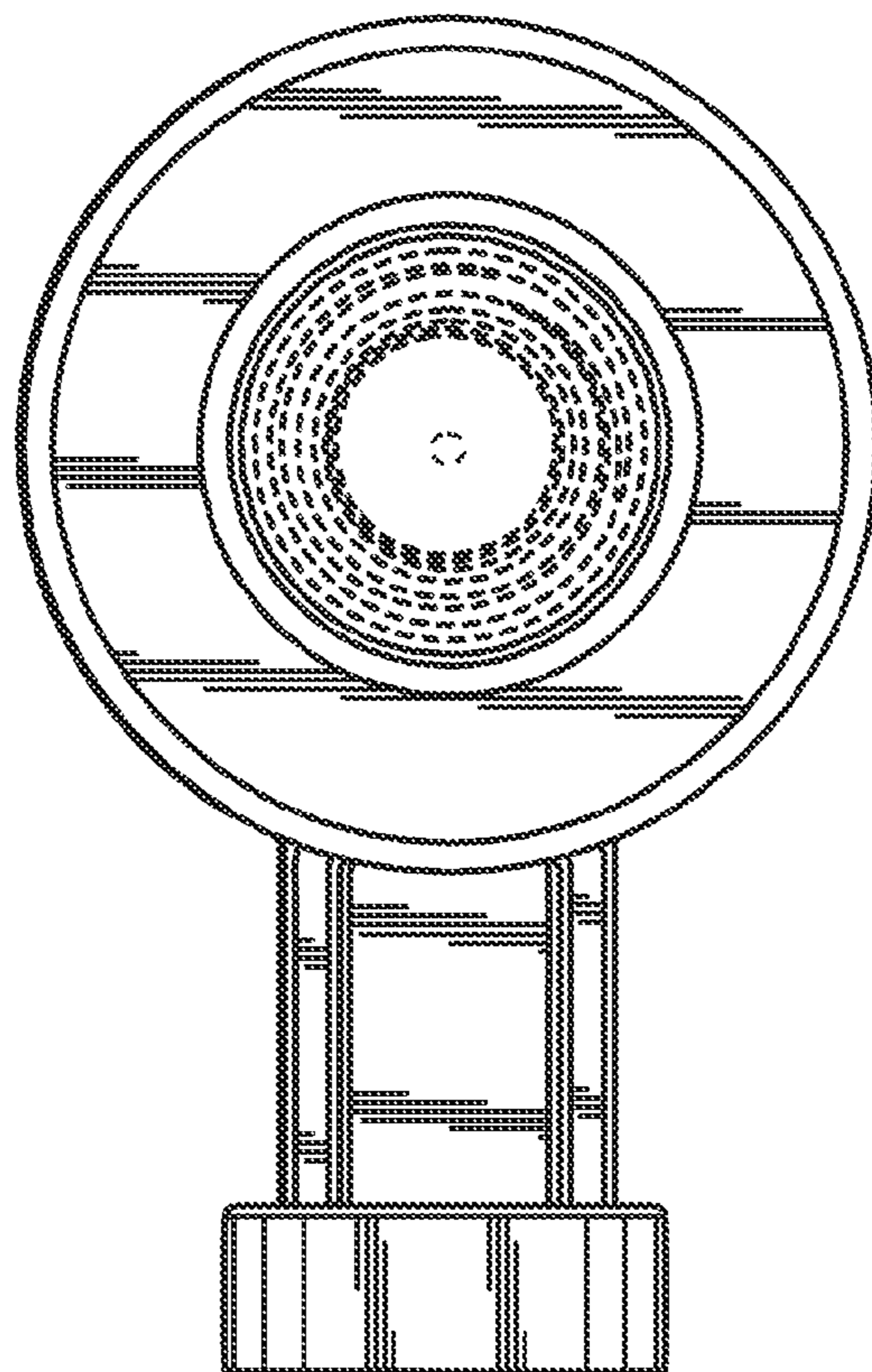


FIG. 7