



US00D701590S

(12) **United States Design Patent**
Kaneko

(10) **Patent No.:** **US D701,590 S**
(45) **Date of Patent:** **** Mar. 25, 2014**

(54) **EXPANSION VALVE**
(75) Inventor: **Takeshi Kaneko**, Tokyo (JP)
(73) Assignee: **TGK Co., Ltd**, Tokyo (JP)
(**) Term: **14 Years**

D611,123 S * 3/2010 Matsumoto D23/233
D621,475 S * 8/2010 Matsumoto D23/233
D647,597 S * 10/2011 Kobayashi et al. D23/233
D648,000 S * 11/2011 Shimura et al. D23/233
D648,001 S * 11/2011 Kobayashi et al. D23/233
D649,222 S * 11/2011 Kobayashi et al. D23/233
D683,819 S * 6/2013 Watanabe et al. D23/233
D683,820 S * 6/2013 Watanabe et al. D23/233
D689,594 S * 9/2013 Kumakura D23/233

(21) Appl. No.: **29/427,729**
(22) Filed: **Jul. 20, 2012**

FOREIGN PATENT DOCUMENTS

JP D 1238723 3/2005
JP D 1386292 3/2010

(30) **Foreign Application Priority Data**

Feb. 10, 2012 (JP) 2012-002811

(51) **LOC (10) Cl.** **23-01**
(52) **U.S. Cl.**
USPC **D23/233**

OTHER PUBLICATIONS

Kazuto Kobayashi et al., Certificate of Registration, Sep. 16, 2011, OHIM—Office for Harmonization in the Internal Market, ECD 001918814-0004.

(58) **Field of Classification Search**
USPC D23/233–237, 244–249; 137/625.48, 137/14, 64; 251/14, 64; 62/222–225, 197, 62/115, 527, 210; 236/63, 64, 66, 92 B; 285/189, 208, 211, 368
See application file for complete search history.

* cited by examiner

Primary Examiner — Cynthia Ramirez

(74) *Attorney, Agent, or Firm* — Martine Penilla Group, LLP

(56) **References Cited**

U.S. PATENT DOCUMENTS

D413,373 S * 8/1999 Watanabe D23/233
D427,285 S * 6/2000 Watanabe D23/233
D429,315 S * 8/2000 Okada et al. D23/233
D440,632 S * 4/2001 Fukuda et al. D23/233
D494,657 S * 8/2004 Kobayashi et al. D23/233
D494,658 S * 8/2004 Kobayashi et al. D23/233
D498,516 S * 11/2004 Fukuda et al. D23/233
D502,252 S * 2/2005 Fukuda et al. D23/233
D504,714 S * 5/2005 Fukuda et al. D23/233
D505,183 S * 5/2005 Fukuda et al. D23/233
D529,990 S * 10/2006 Kobayashi et al. D23/233
D532,080 S * 11/2006 Kobayashi et al. D23/233
D546,921 S * 7/2007 Kobayashi et al. D23/233
D589,118 S * 3/2009 Watanabe D23/233
D601,662 S * 10/2009 Kobayashi et al. D23/233
D602,560 S * 10/2009 Shimura et al. D23/233

DESCRIPTION

FIG. 1 is a front view of an expansion valve showing our new design;
FIG. 2 is a rear view thereof;
FIG. 3 is a top view thereof;
FIG. 4 is a bottom view thereof;
FIG. 5 is a left side view thereof;
FIG. 6 is a right side view thereof;
FIG. 7 is a front perspective view thereof; and,
FIG. 8 is a rear perspective view thereof.
The broken lines are for the purpose of illustrating portions of the expansion valve and form no part of the claimed design.

1 Claim, 8 Drawing Sheets

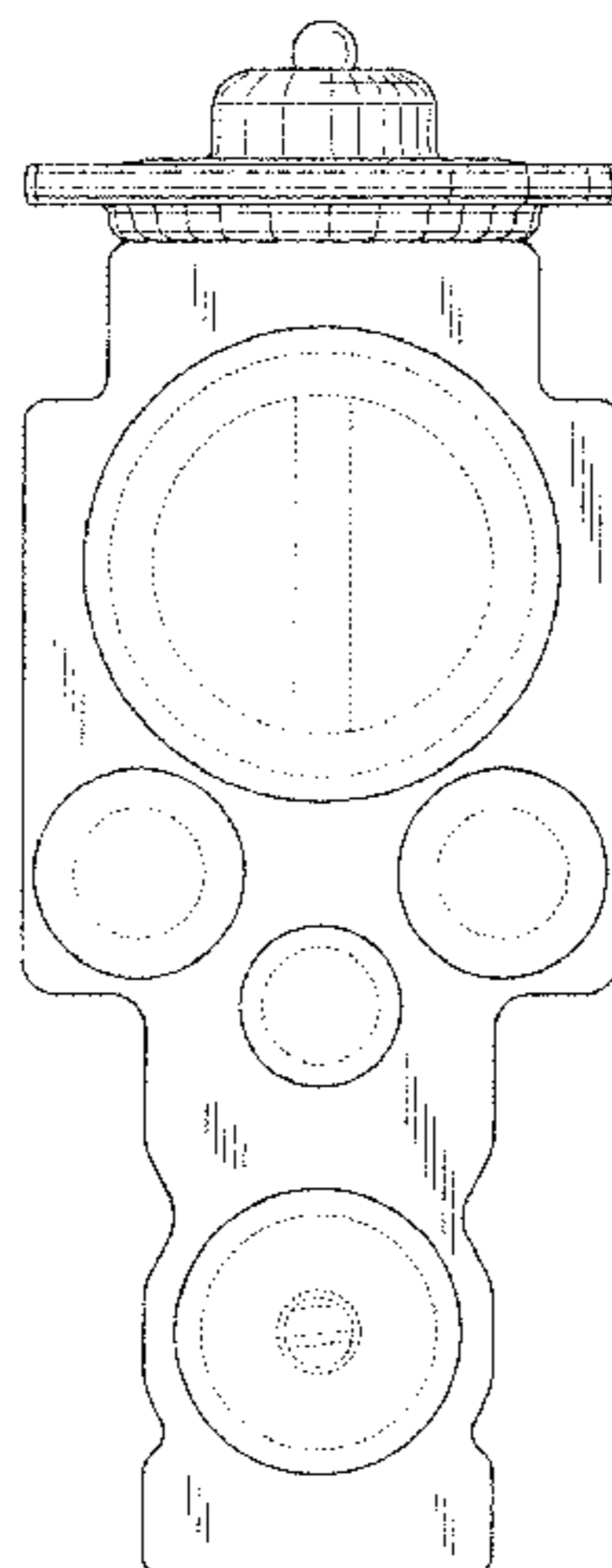


FIG. 1

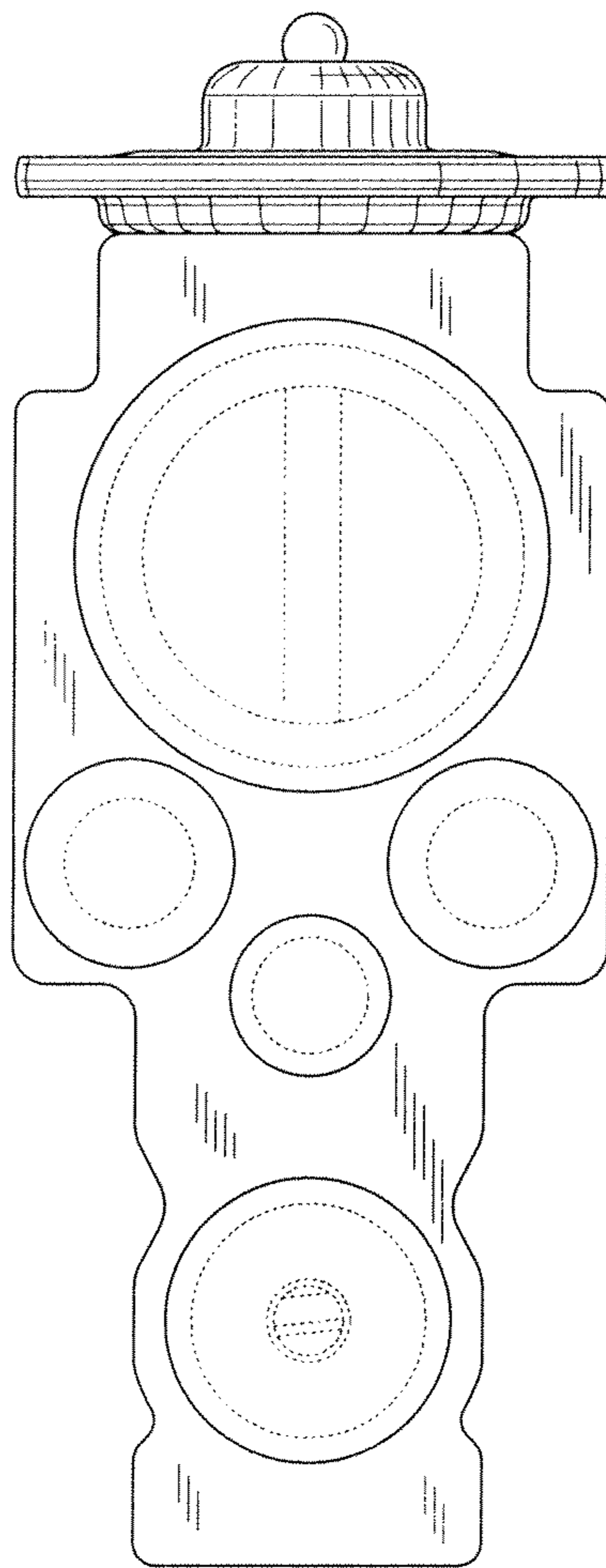


FIG. 2

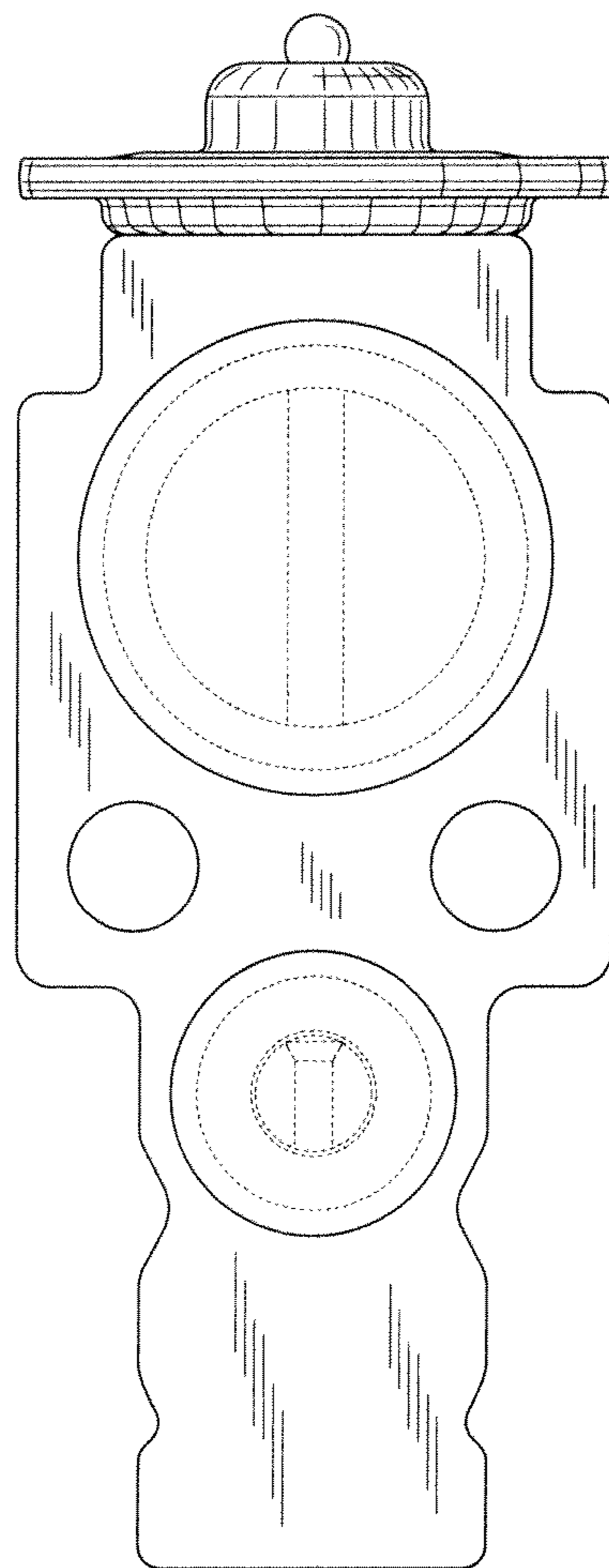


FIG. 3

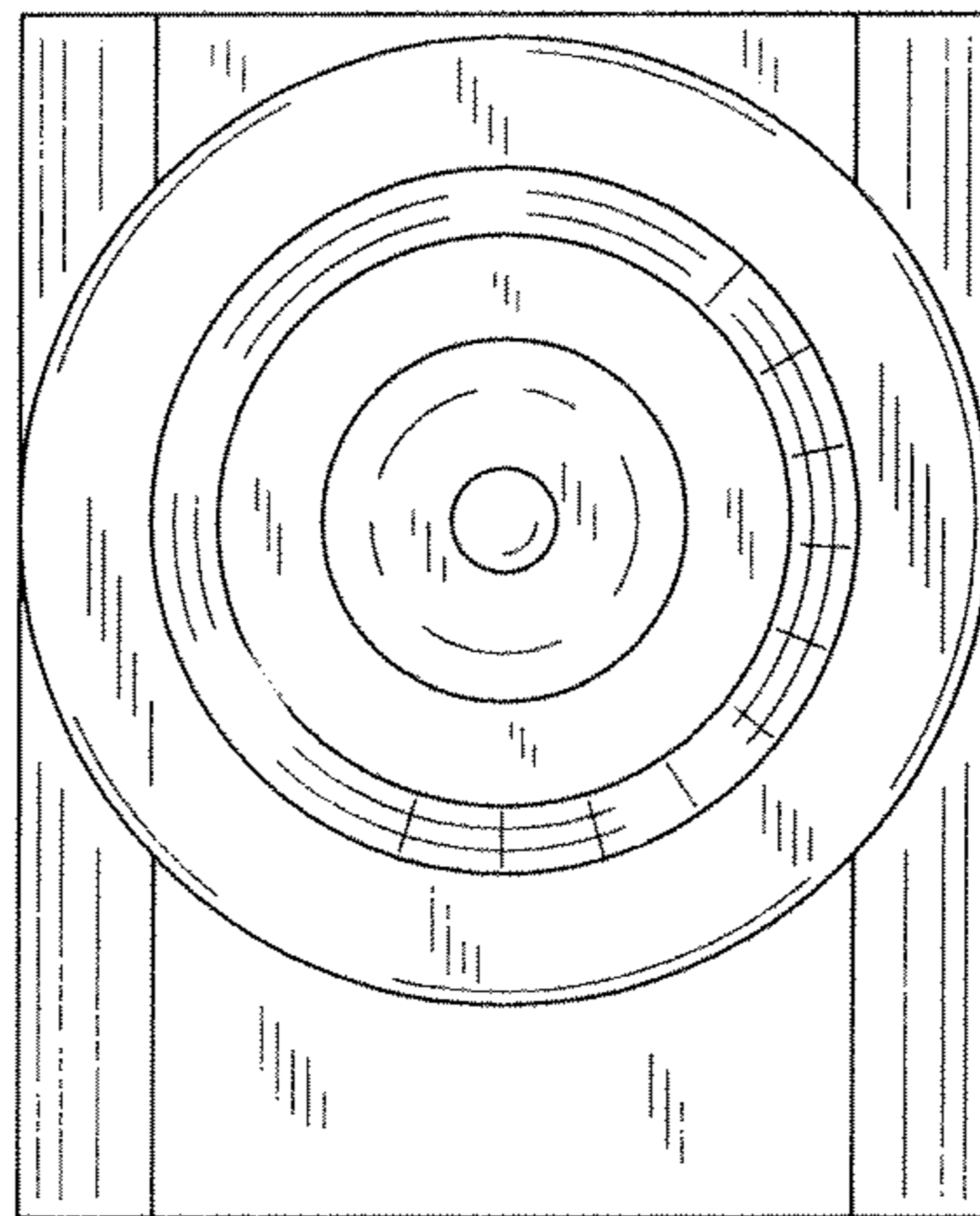


FIG. 4

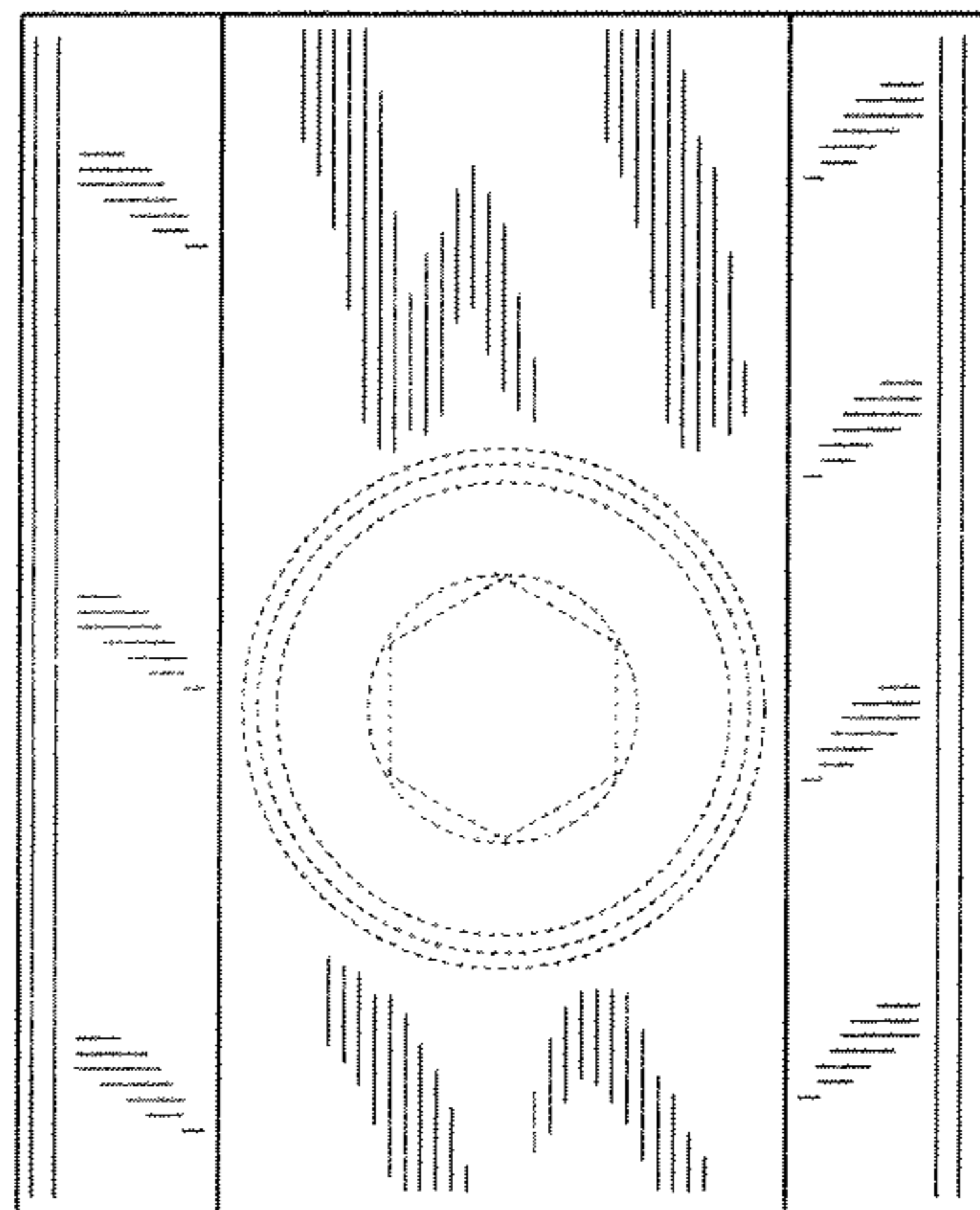


FIG. 5

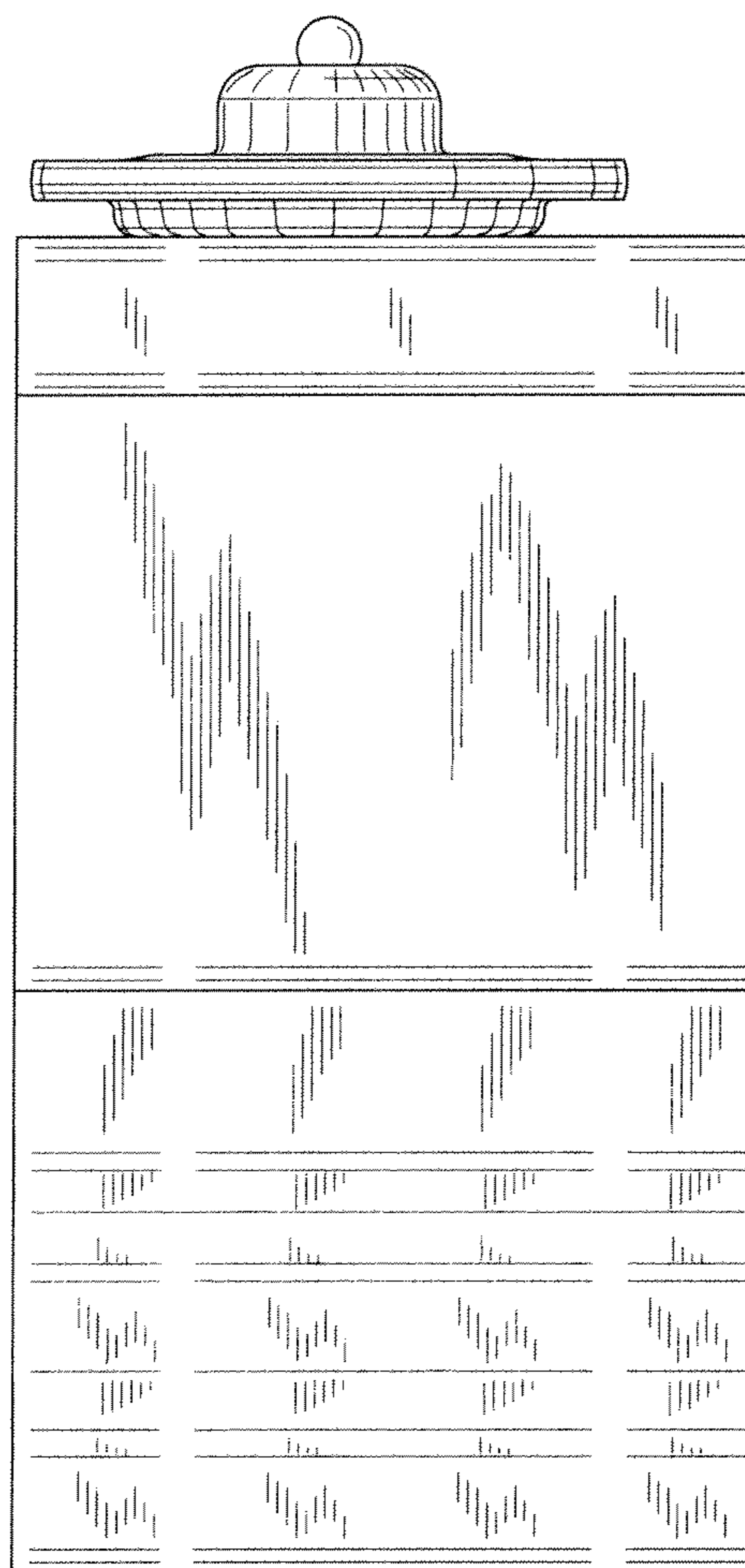


FIG. 6

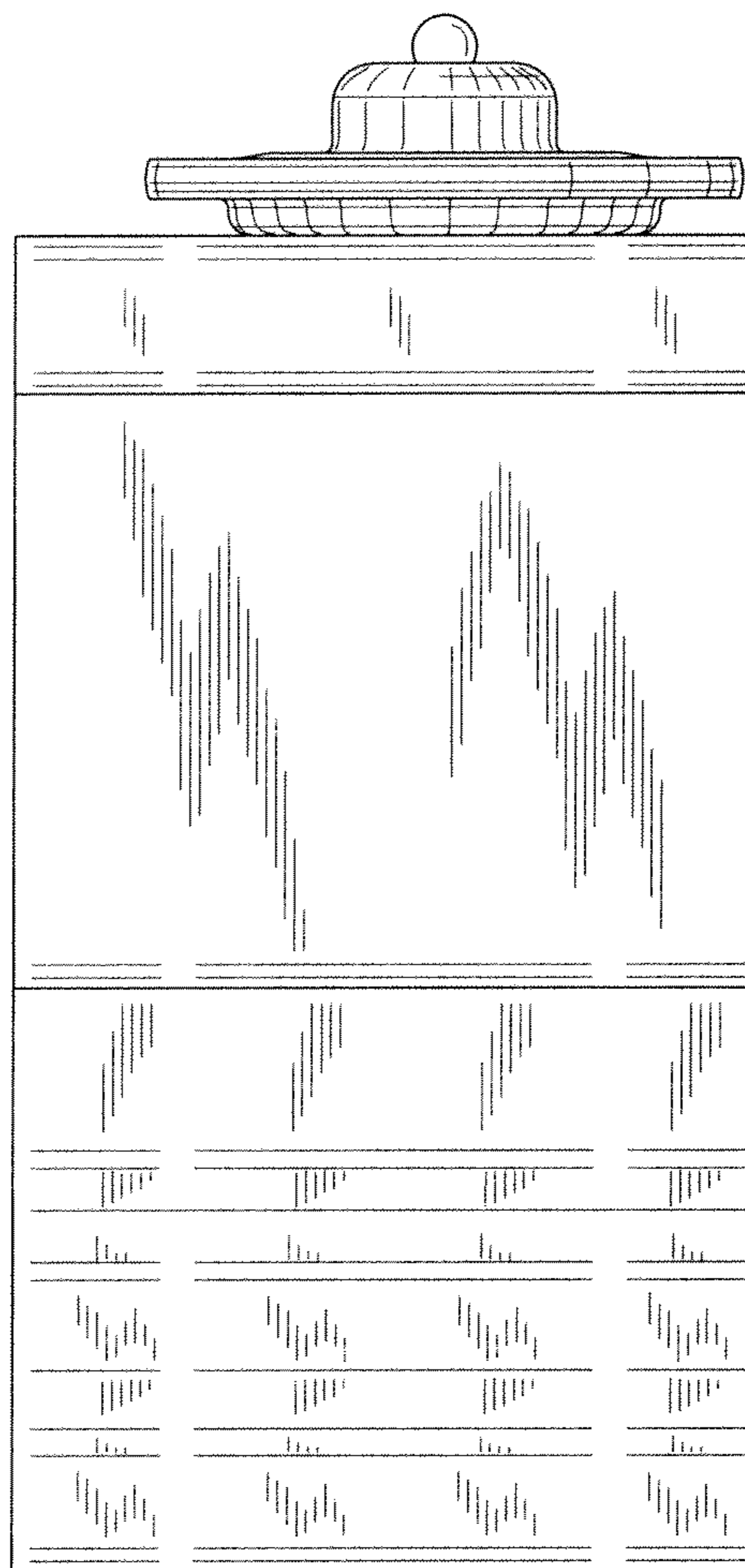


FIG. 7

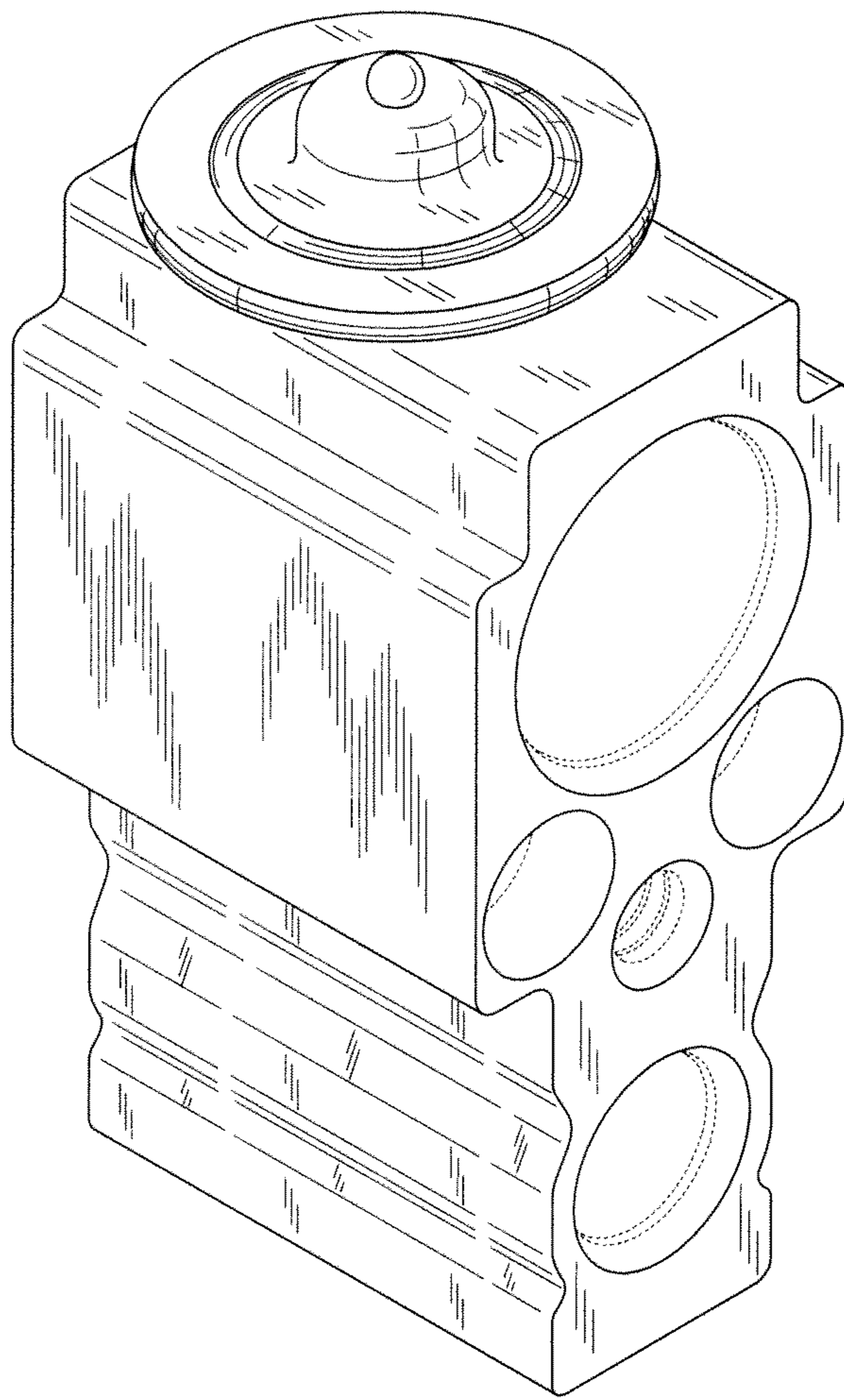


FIG. 8

