



US00D701588S

(12) **United States Design Patent**
Hedger et al.

(10) **Patent No.:** **US D701,588 S**
(45) **Date of Patent:** **** Mar. 25, 2014**

(54) **SPRAY GUN**

(71) Applicant: **GSSC, Inc.**, Clearwater, FL (US)

(72) Inventors: **Tom Hedger**, Trinity, FL (US); **Blake K. Travis, II**, Clearwater, FL (US); **James Wiegand**, Auburn, WA (US)

(73) Assignee: **GSSC, Inc.**, Clearwater, FL (US)

(**) Term: **14 Years**

(21) Appl. No.: **29/448,518**

(22) Filed: **Mar. 13, 2013**

(51) **LOC (10) Cl.** **23-01**

(52) **U.S. Cl.**
USPC **D23/226**

(58) **Field of Classification Search**
USPC D23/213, 223, 226; 239/690, 690.1,
239/525-526, 704

See application file for complete search history.

(56) **References Cited**

U.S. PATENT DOCUMENTS

D314,811 S * 2/1991 Gammons et al. D23/226
D457,599 S * 5/2002 Karwoski et al. D23/226
D479,305 S * 9/2003 Zittel et al. D23/226

D588,230 S * 3/2009 Mattson et al. D23/223
D588,231 S * 3/2009 Pellin et al. D23/223
8,016,213 B2 * 9/2011 Altenburger 239/526
D649,221 S * 11/2011 Sinderson et al. D23/226
8,496,194 B2 * 7/2013 Baltz 239/690

* cited by examiner

Primary Examiner — Robin V Webster

(74) *Attorney, Agent, or Firm* — Larson & Larson, P.A.;
Frank Liebenow; Justin P. Miller

(57) **CLAIM**

We claim the ornamental design for a spray gun, as shown and described.

DESCRIPTION

FIG. 1 is a perspective view of the spray gun showing my new design;

FIG. 2 is a front view thereof;

FIG. 3 is a rear view thereof;

FIG. 4 is a left side view thereof;

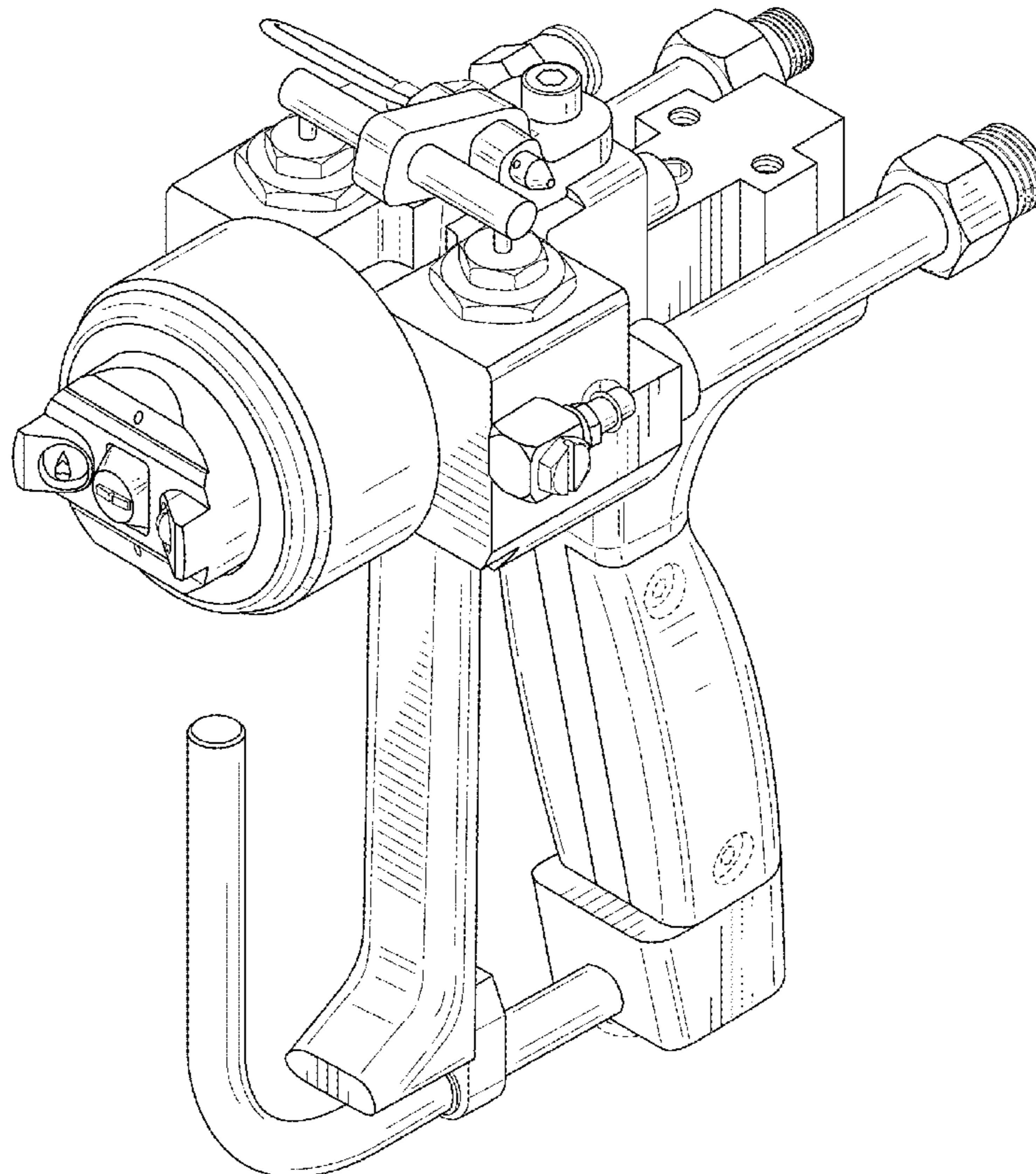
FIG. 5 is a right side view thereof;

FIG. 6 is a top view thereof; and,

FIG. 7 is a bottom view thereof.

The broken lines depicting fasteners of a spray gun in all figures are for illustrative purposes only and form no part of the claimed design.

1 Claim, 7 Drawing Sheets



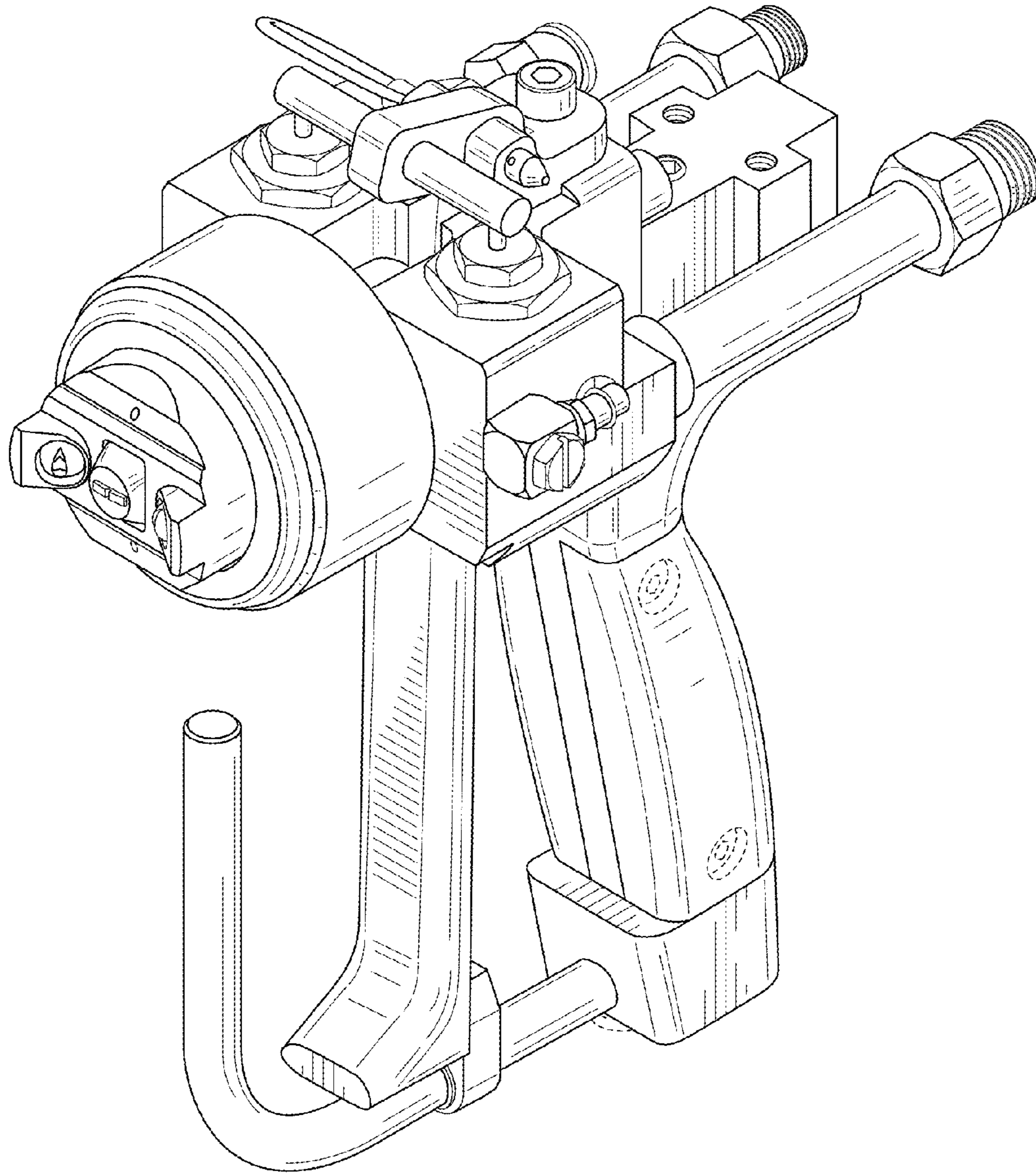


FIG. 1

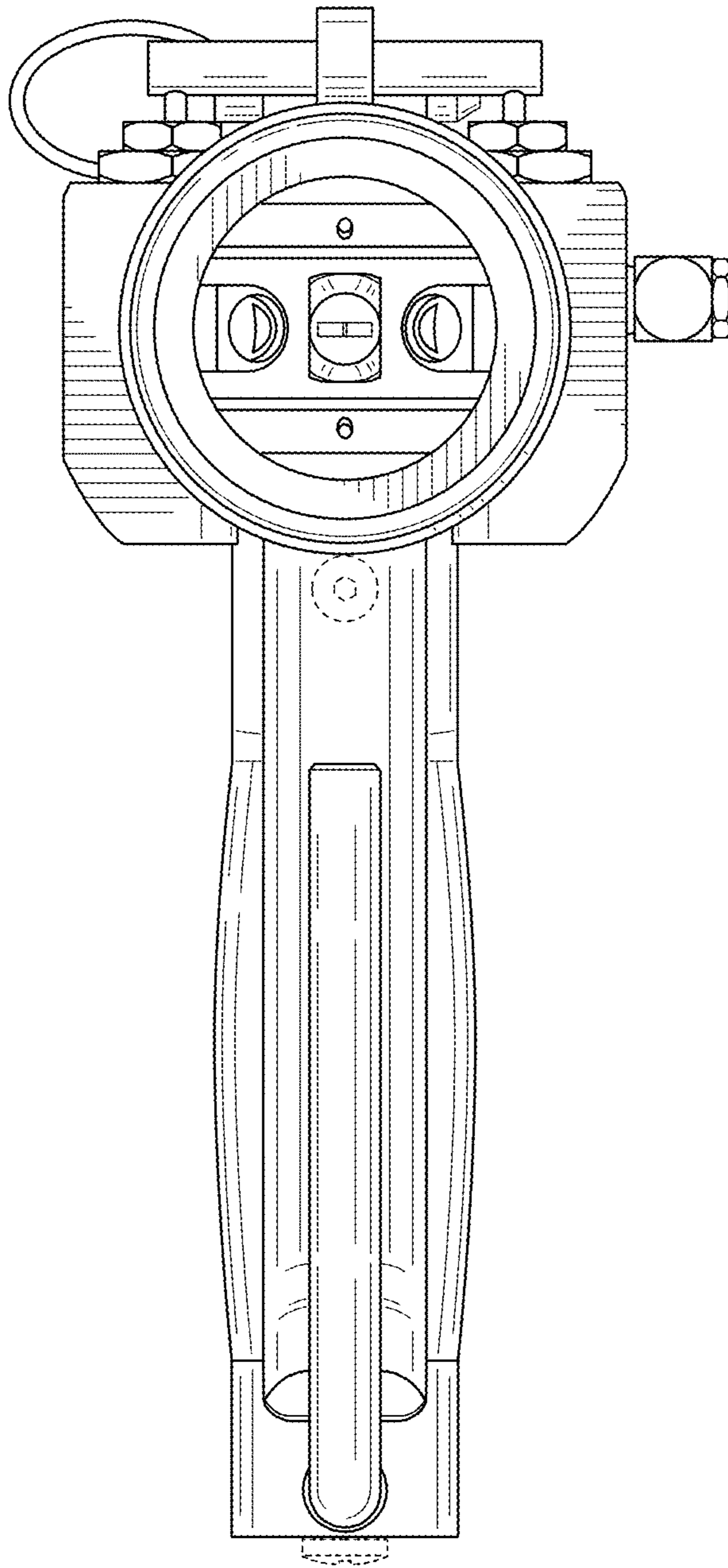


FIG. 2

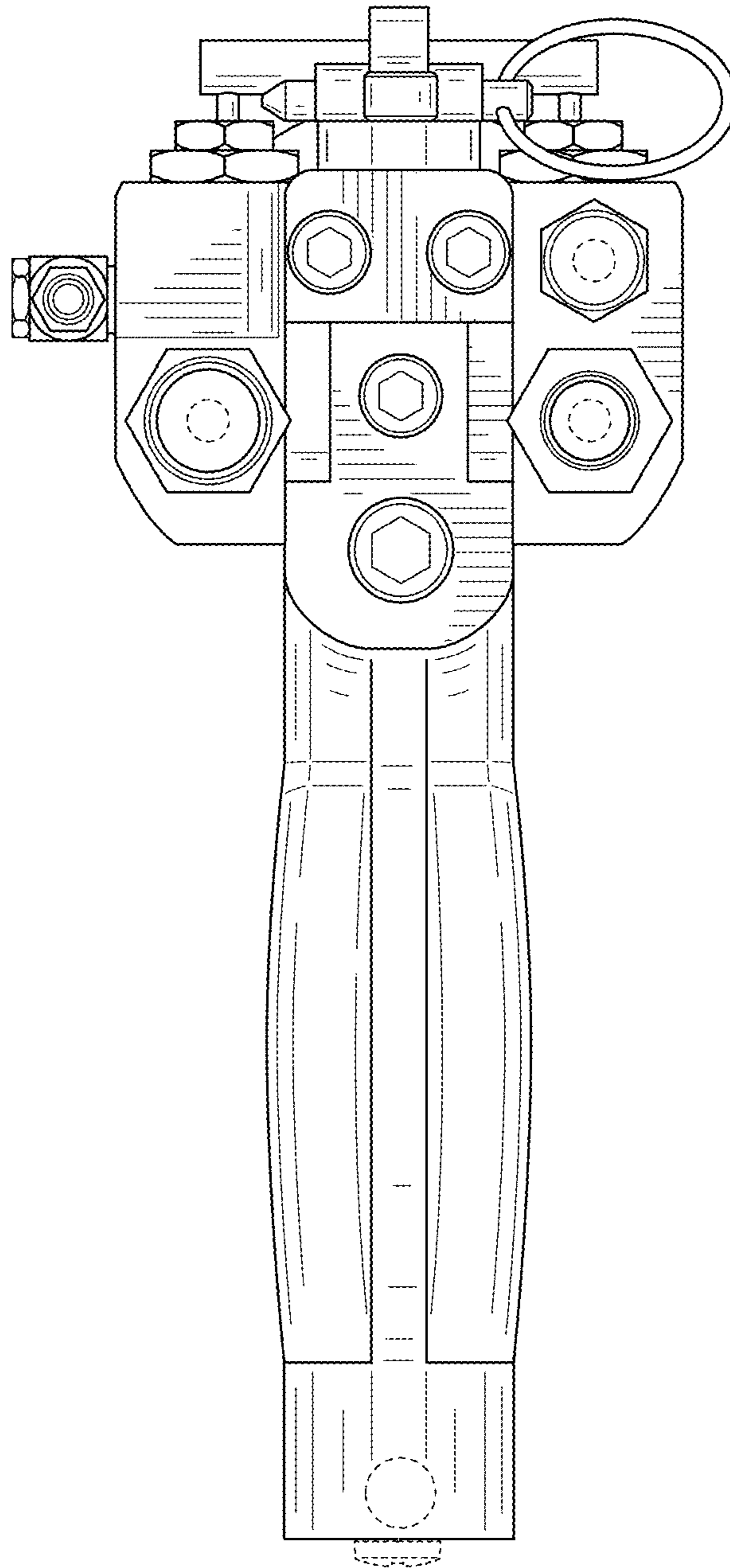


FIG. 3

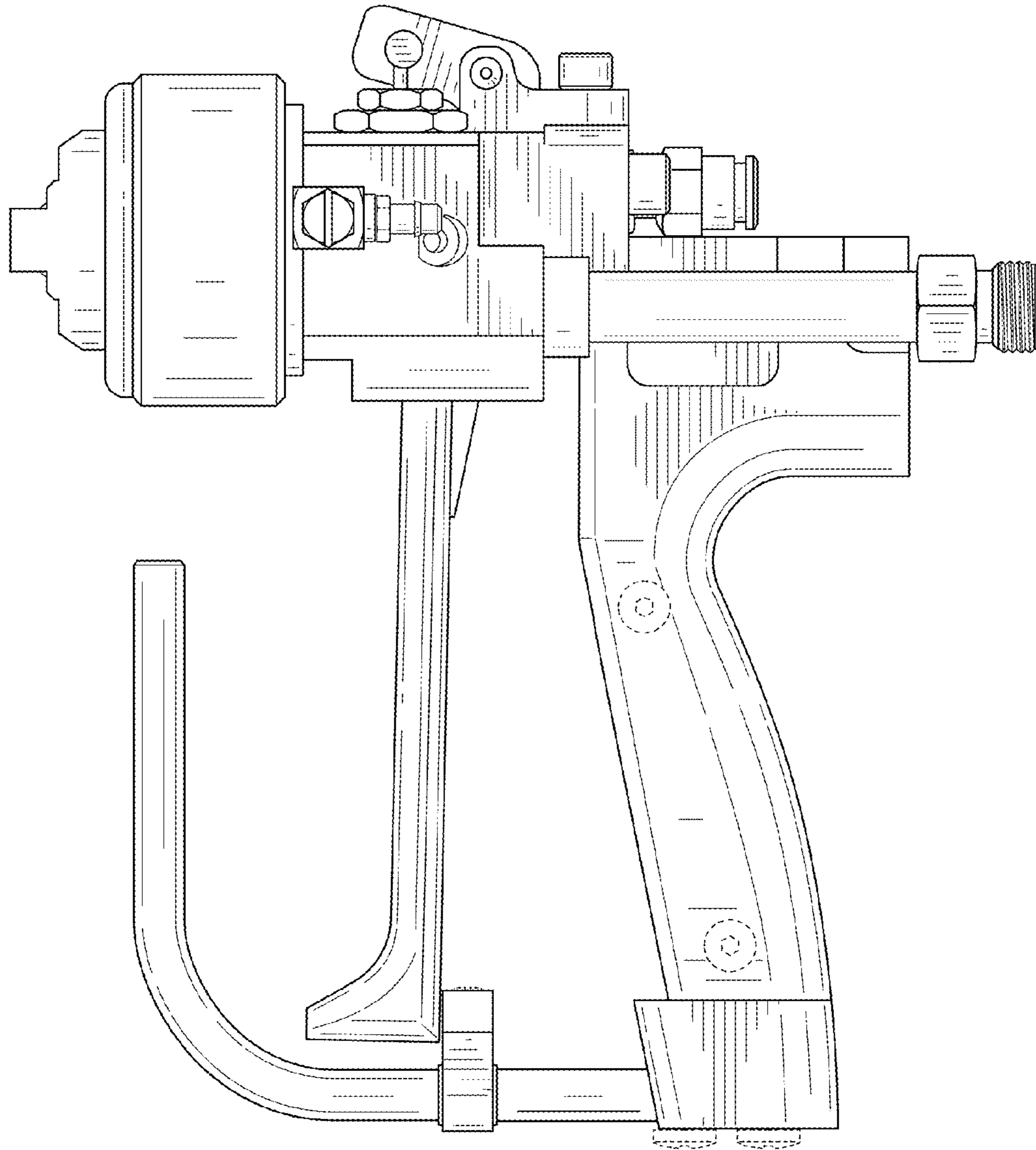


FIG. 4

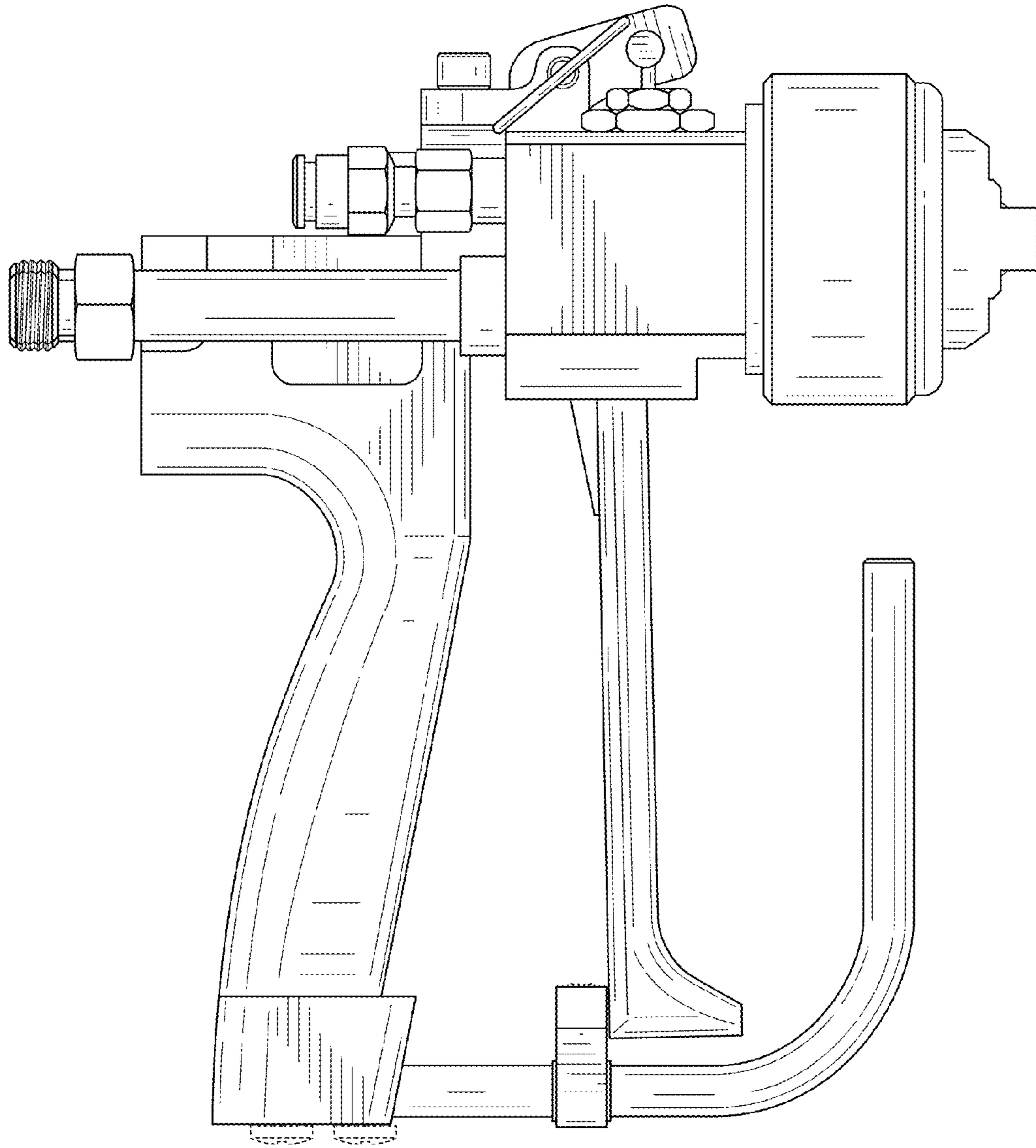


FIG. 5

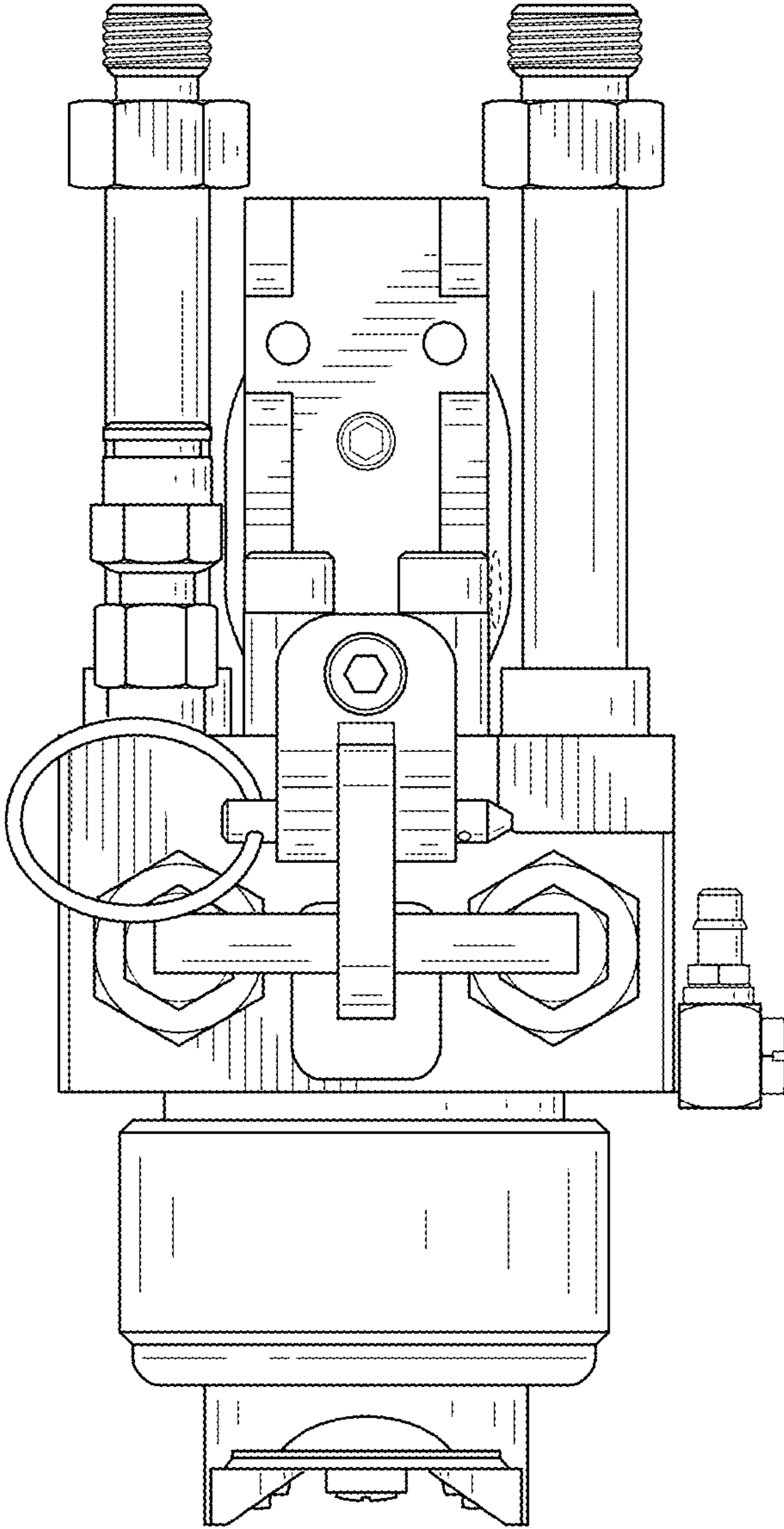


FIG. 6

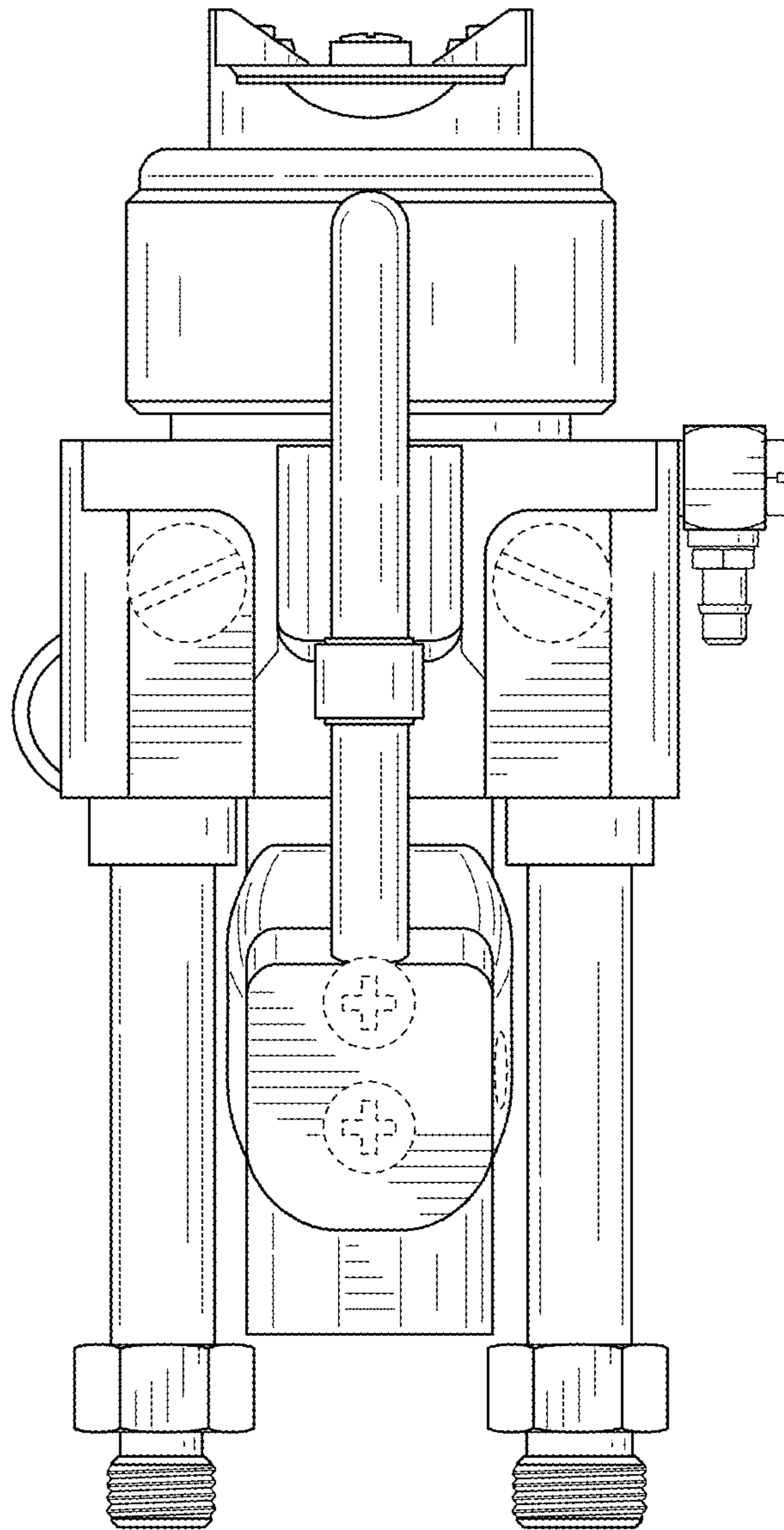


FIG. 7