



US00D701586S

(12) **United States Design Patent**
Andrew

(10) **Patent No.:** **US D701,586 S**
(45) **Date of Patent:** **** Mar. 25, 2014**

(54) **SHOWERHEAD**

D515,661 S * 2/2006 Hughes et al. D23/213
D577,793 S * 9/2008 Leber D23/213
D578,181 S * 10/2008 Pan D23/213
D626,194 S * 10/2010 Kakihana et al. D23/213

(71) Applicant: **Masco Corporation of Indiana,**
Indianapolis, IN (US)

* cited by examiner

(72) Inventor: **Mercedita Andrew,** Indianapolis, IN
(US)

Primary Examiner — Robin V Webster

(73) Assignee: **Masco Corporation of Indiana,**
Indianapolis, IN (US)

(74) *Attorney, Agent, or Firm* — Edgar A. Zarins; Nirav D. Parikh

(**) Term: **14 Years**

(57) **CLAIM**

(21) Appl. No.: **29/444,791**

The ornamental design for a showerhead, as shown and described.

(22) Filed: **Feb. 4, 2013**

DESCRIPTION

(51) **LOC (10) Cl.** **23-01**

(52) **U.S. Cl.**
USPC **D23/213**

(58) **Field of Classification Search**
USPC D23/213, 223, 226, 229, 230; 239/282,
239/283; 4/615

See application file for complete search history.

FIG. 1 is a perspective view of a showerhead showing my new design;

FIG. 2 is a front elevational view thereof;

FIG. 3 is a left side view thereof;

FIG. 4 is a right side view thereof;

FIG. 5 is a rear view thereof;

FIG. 6 is a bottom end view thereof; and,

FIG. 7 is a top end view thereof.

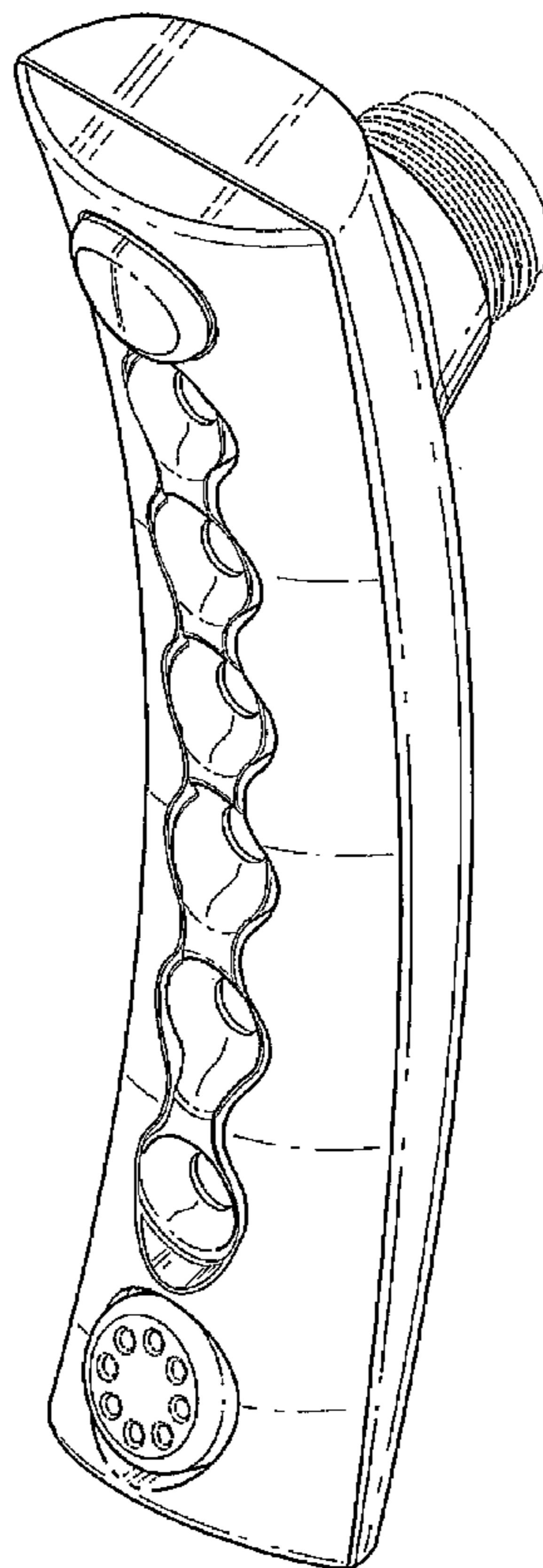
The broken line showing is included for the purpose of illustrating and forms no part of the claimed design.

(56) **References Cited**

U.S. PATENT DOCUMENTS

D453,550 S * 2/2002 Lobermeier D23/228
D503,463 S * 3/2005 Hughes et al. D23/229

1 Claim, 4 Drawing Sheets



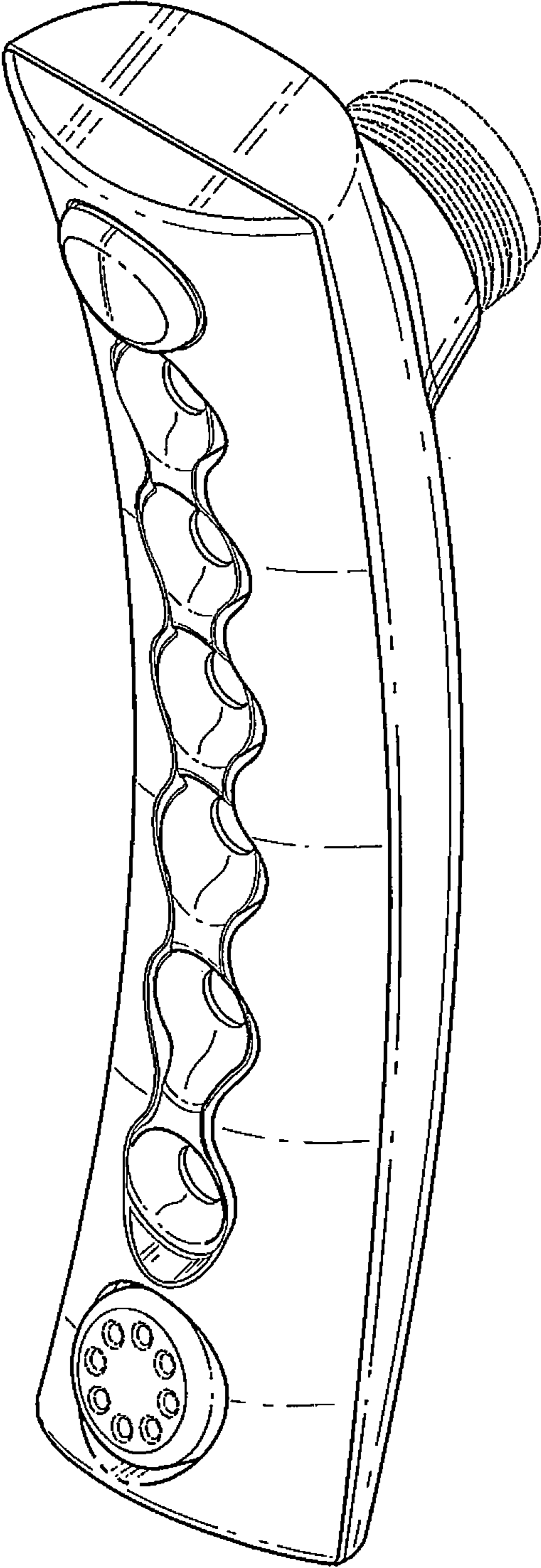


Fig-1

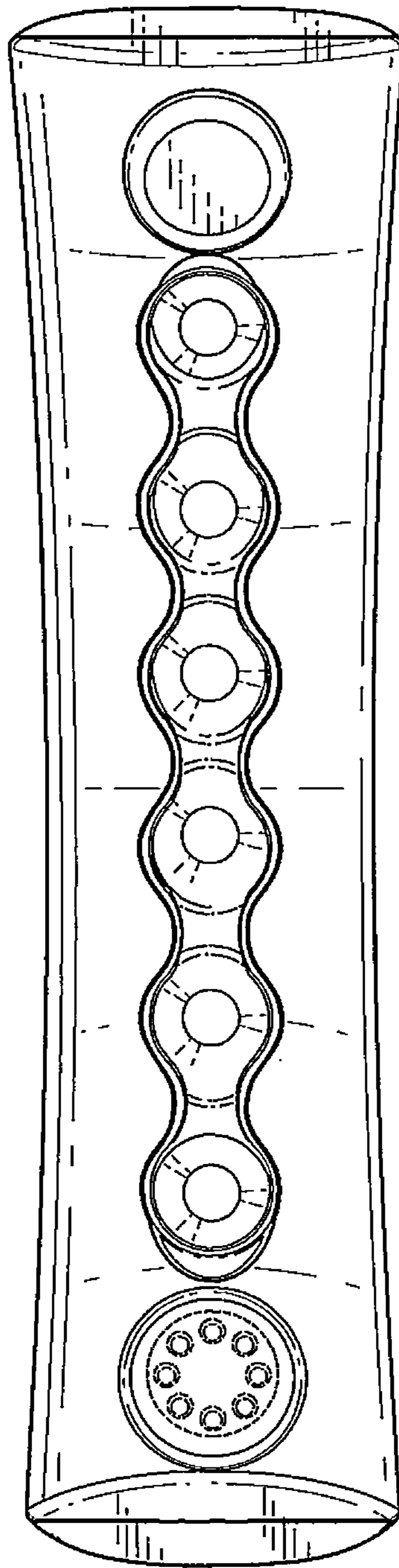


Fig-2

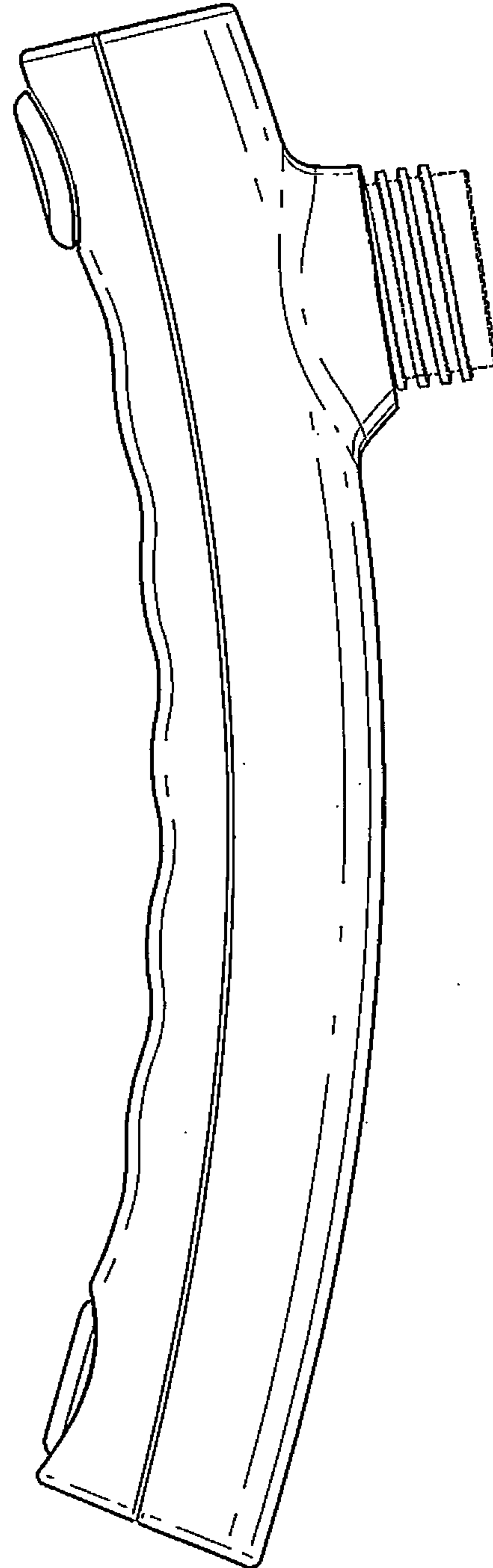


Fig-3

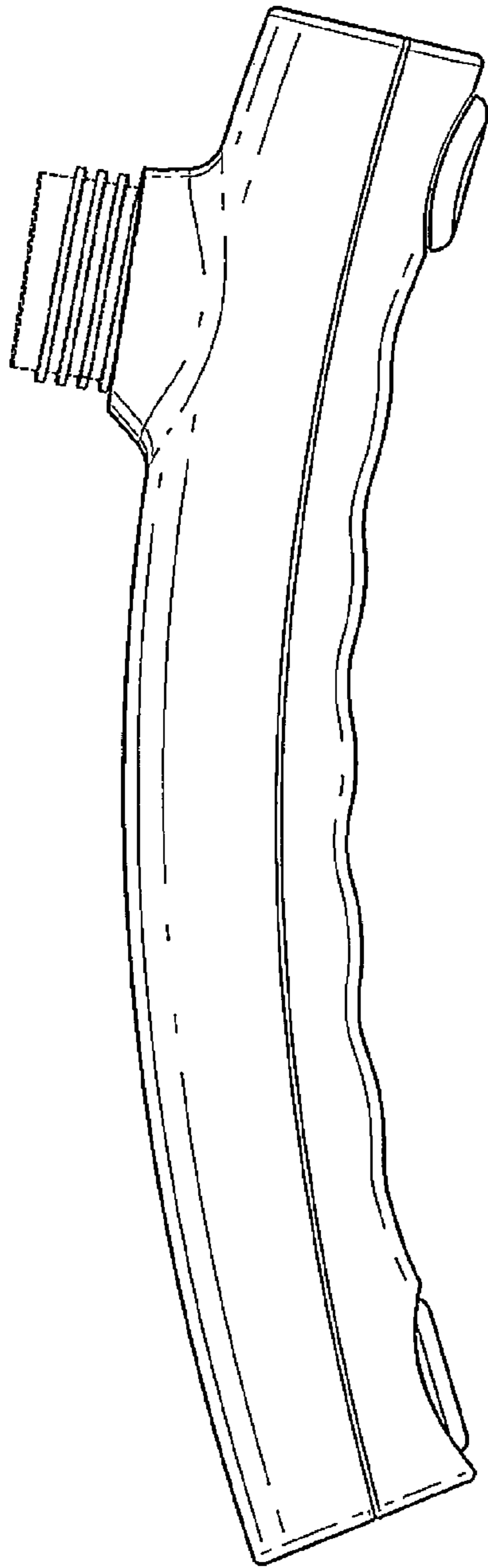


Fig-4

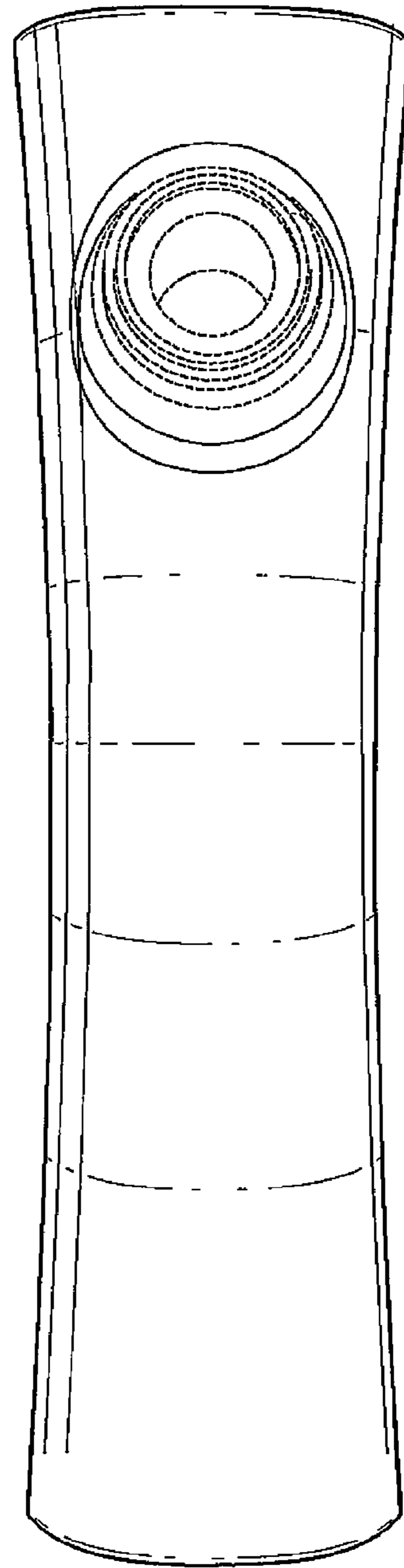


Fig-5

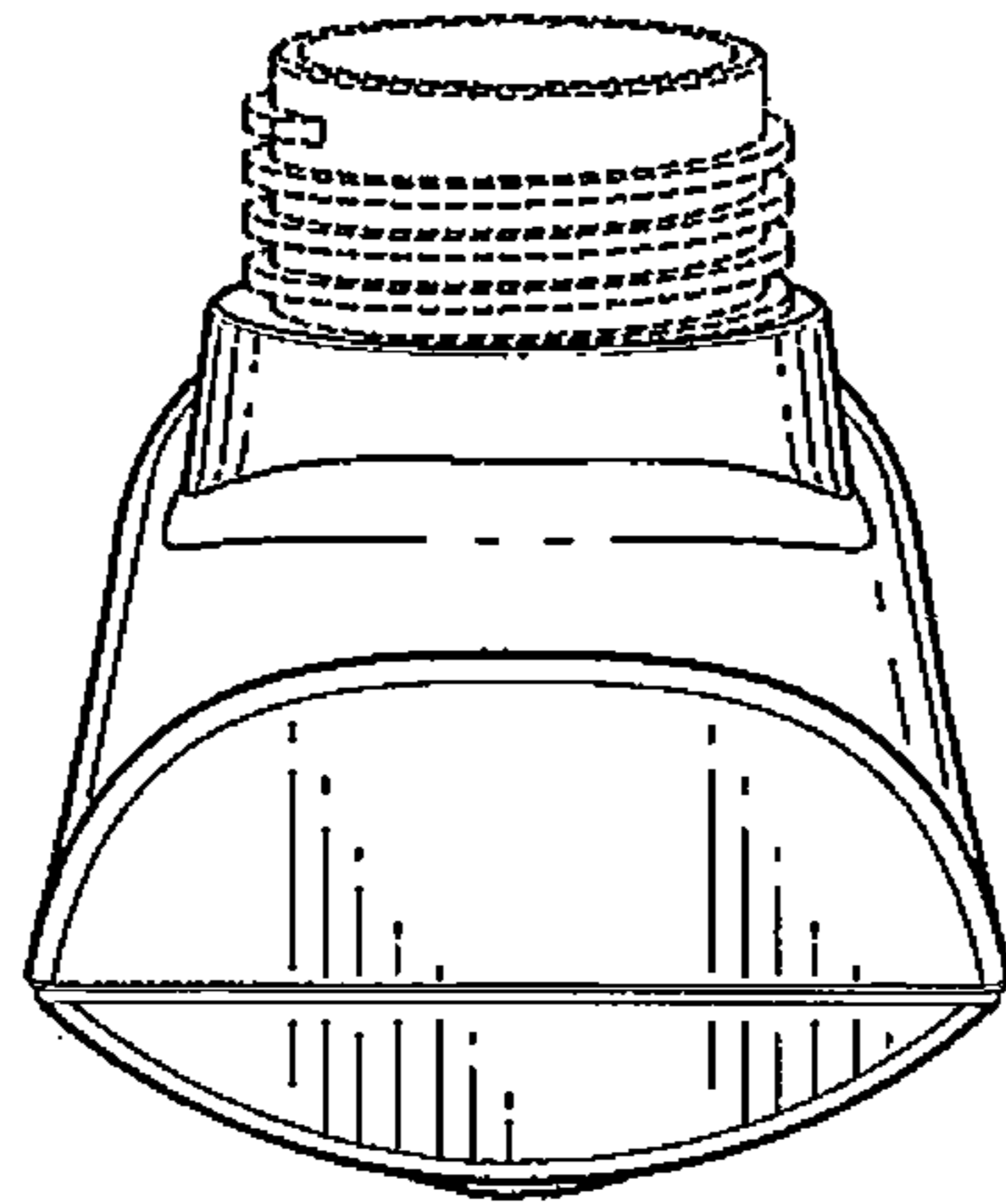


Fig-6

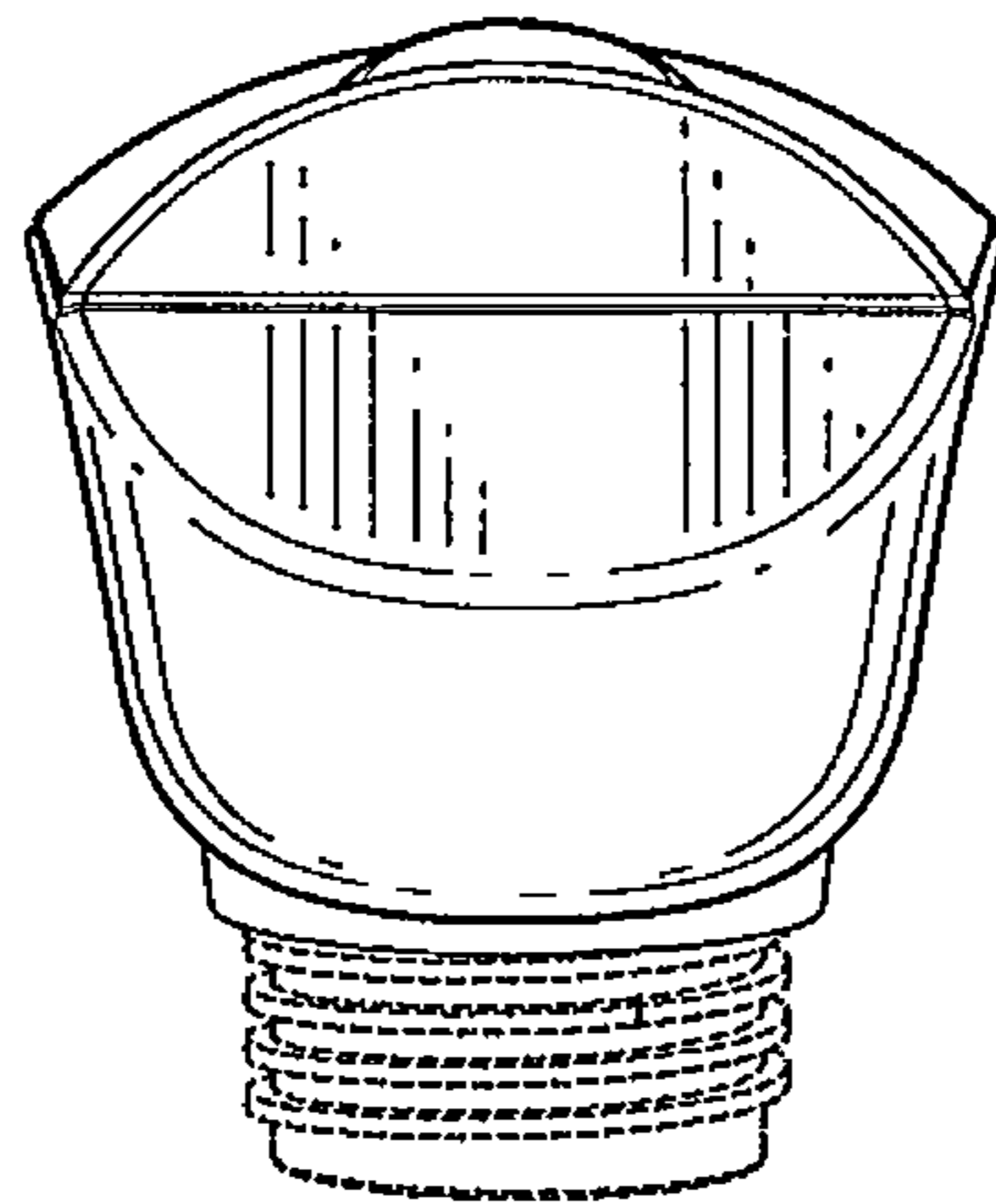


Fig-7