



US00D701584S

(12) **United States Design Patent**  
**Kasbohm**

(10) **Patent No.:** **US D701,584 S**  
(45) **Date of Patent:** **\*\* Mar. 25, 2014**

(54) **MAGNETIC FIREARM SUPPORTING DEVICE**

(75) Inventor: **Michael J. Kasbohm**, Eden Prairie, MN (US)

(73) Assignee: **SpecTech, Inc.**

(\*\*) Term: **14 Years**

(21) Appl. No.: **29/431,503**

(22) Filed: **Sep. 7, 2012**

**Related U.S. Application Data**

(63) Continuation of application No. 12/267,714, filed on Nov. 10, 2008.

(51) **LOC (10) Cl.** ..... **22-01**

(52) **U.S. Cl.**  
USPC ..... **D22/108**

(58) **Field of Classification Search**  
USPC ..... D22/108; 70/58; 224/42.33, 913;  
248/316.5, 316.7; 211/64, 70.6, 94.01;  
D8/373, 357, 394-396  
See application file for complete search history.

(56) **References Cited**

**U.S. PATENT DOCUMENTS**

1,837,939 A	12/1931	Zimmerman	
2,348,902 A	5/1944	Hart	
2,668,645 A *	2/1954	Pease	224/546
2,958,422 A	11/1960	Caloiero et al.	
3,706,403 A	12/1972	Sikes	
3,746,177 A	7/1973	Vilotti	
4,230,296 A	10/1980	Staley et al.	
4,461,385 A	7/1984	Clouser	
4,579,263 A	4/1986	Ehmke et al.	
4,796,762 A	1/1989	Law	
D302,628 S	8/1989	Smith	
4,852,780 A	8/1989	Woodbury	

4,985,817 A	1/1991	Yale	
4,986,427 A	1/1991	Law et al.	
5,360,190 A	11/1994	Walker et al.	
5,443,191 A	8/1995	Jorgenson	
5,454,931 A	10/1995	Lauve	
5,695,165 A	12/1997	Moriarty	
5,934,112 A *	8/1999	Rice et al.	70/18
5,979,846 A	11/1999	Fluhr	
6,042,080 A	3/2000	Shepherd et al.	
6,145,719 A *	11/2000	Robert	224/401
6,477,749 B1	11/2002	Reiter	
6,561,206 B1	5/2003	Wilkinson	
6,793,109 B2	9/2004	Gates et al.	
6,793,184 B2	9/2004	Dougal et al.	
6,951,289 B2	10/2005	Scott, Jr.	
6,986,446 B2 *	1/2006	Murray et al.	224/275
7,024,792 B2	4/2006	Graham	

(Continued)

**OTHER PUBLICATIONS**

<http://web.archive.org/web/20080901035348/http://www.magnetguncaddy.com/>[Feb. 8, 2013 1:13:46 PM].\*

*Primary Examiner* — Michael A Pratt

(74) *Attorney, Agent, or Firm* — Schroeder & Siegfried, P.A.

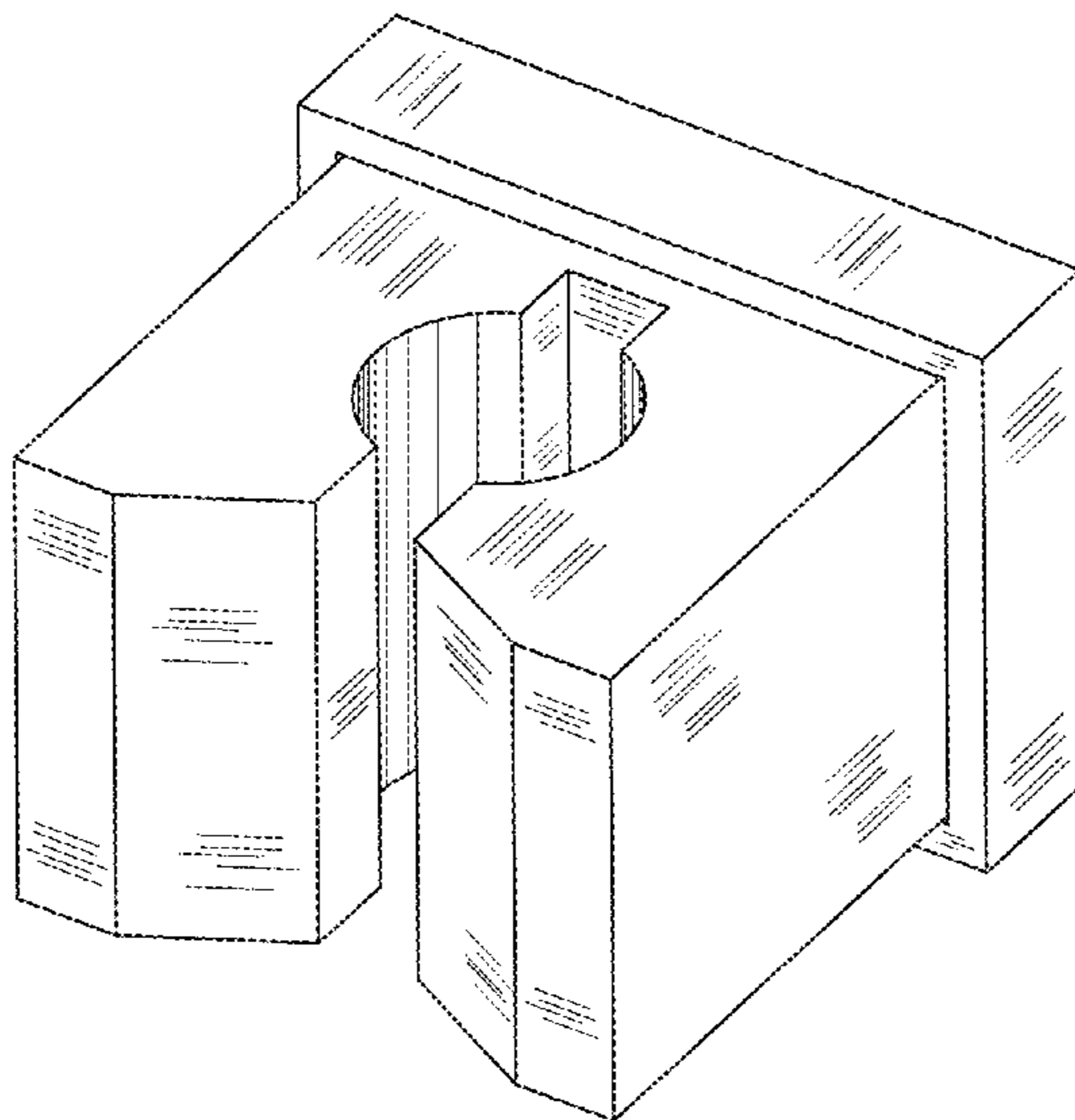
(57) **CLAIM**

The ornamental design for a magnetic firearm supporting device, as shown in the drawings.

**DESCRIPTION**

FIG. 1 is a perspective view of a magnetic firearm supporting device showing my new design;  
FIG. 2 is a top plan view thereof, the bottom side being the mirror image;  
FIG. 3 is a front elevational view thereof;  
FIG. 4 is a rear elevational view thereof; and,  
FIG. 5 is a side elevational view thereof, the opposite side being the mirror image.

**1 Claim, 3 Drawing Sheets**



(56)

**References Cited**

U.S. PATENT DOCUMENTS

7,047,771 B2 *	5/2006	Tanos .....	70/16	7,377,474 B2	5/2008	Curtis
7,137,511 B1	11/2006	Croswell et al.		7,699,277 B2	4/2010	Bagnall
D548,487 S	8/2007	Osiecki et al.		7,950,534 B2	5/2011	Kao
				2008/0087785 A1	4/2008	Roche
				2009/0218741 A1	9/2009	Winnard

\* cited by examiner

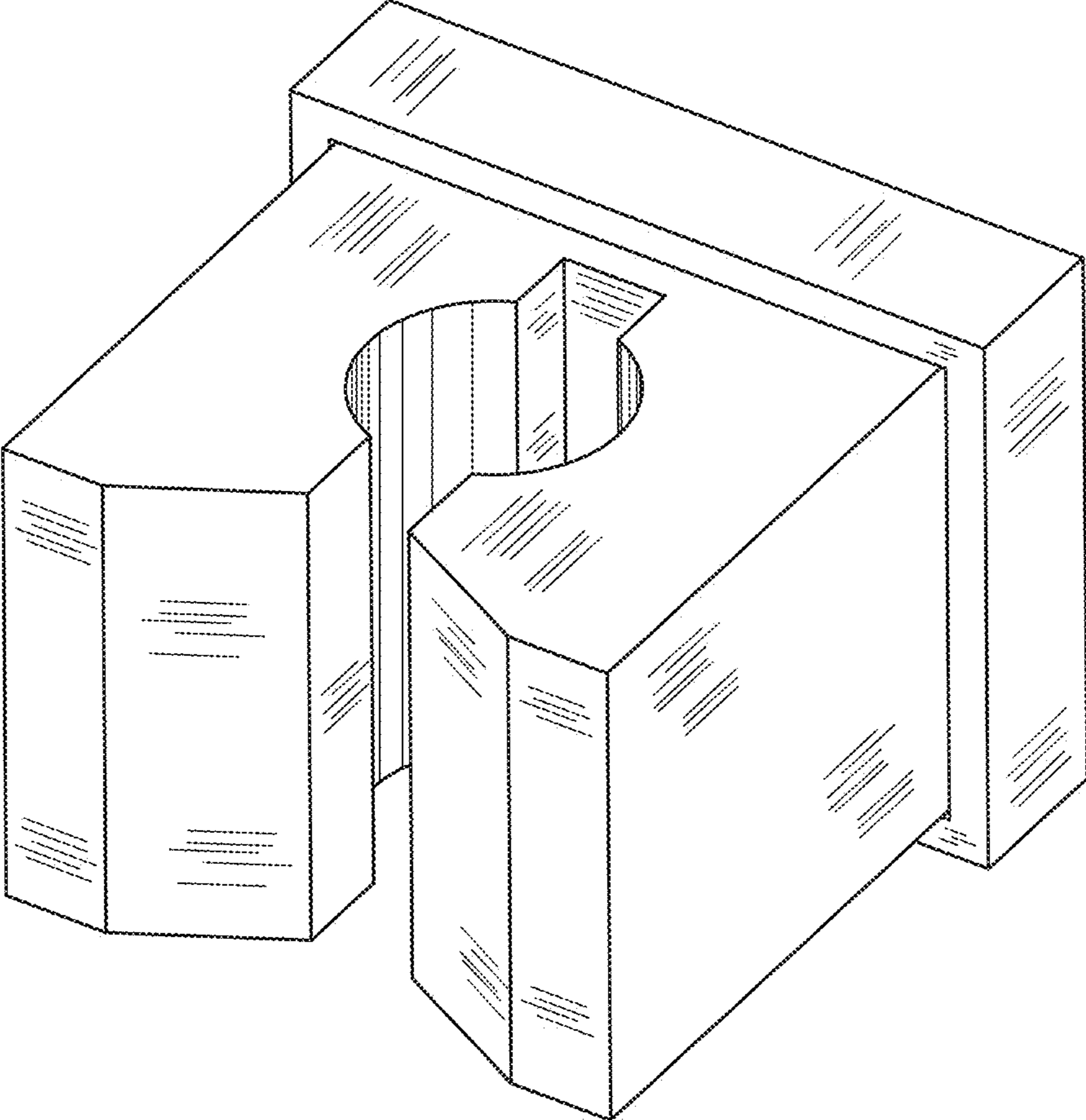


Fig. 1

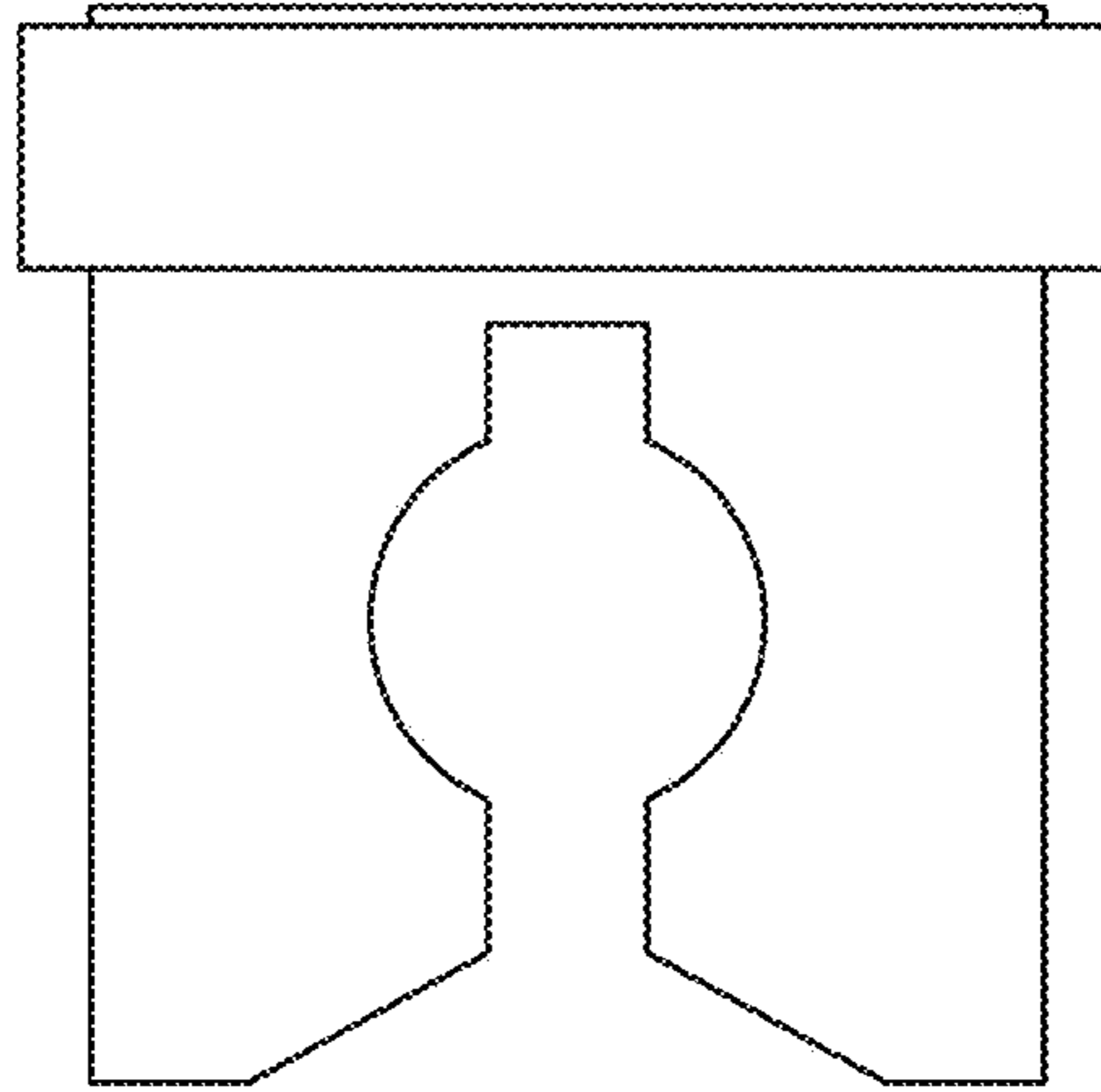


Fig. 2

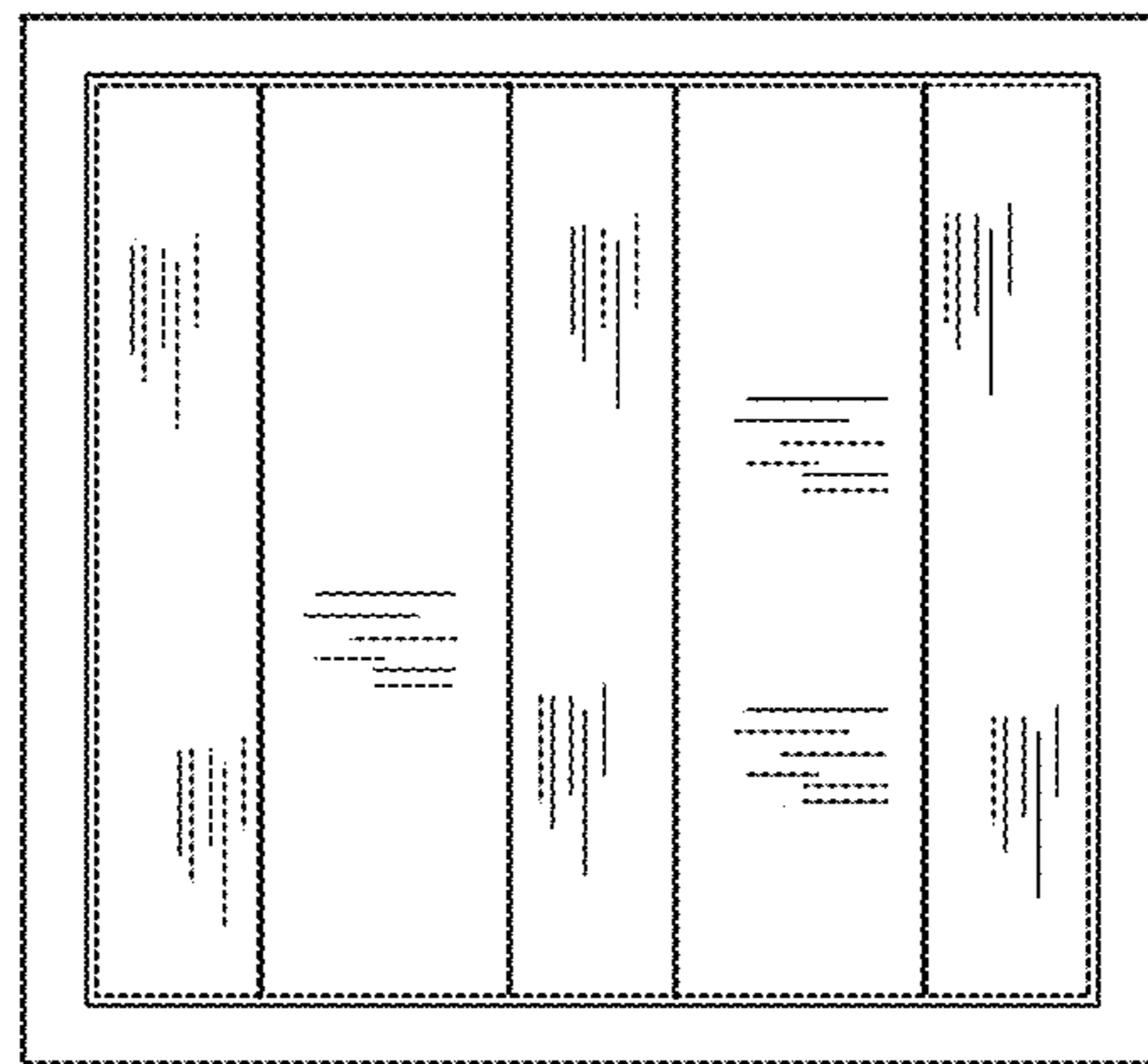


Fig. 3

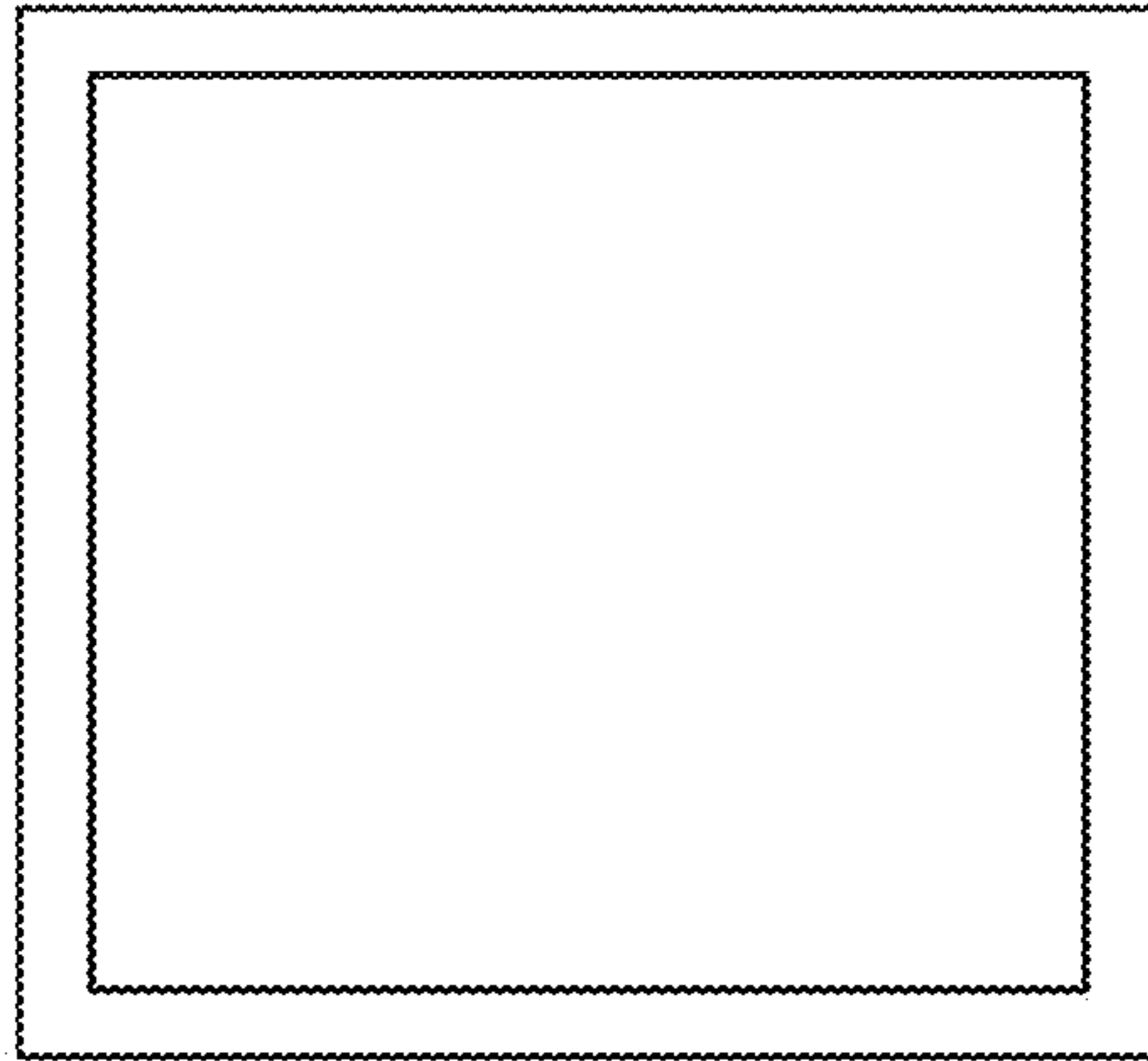


Fig. 4

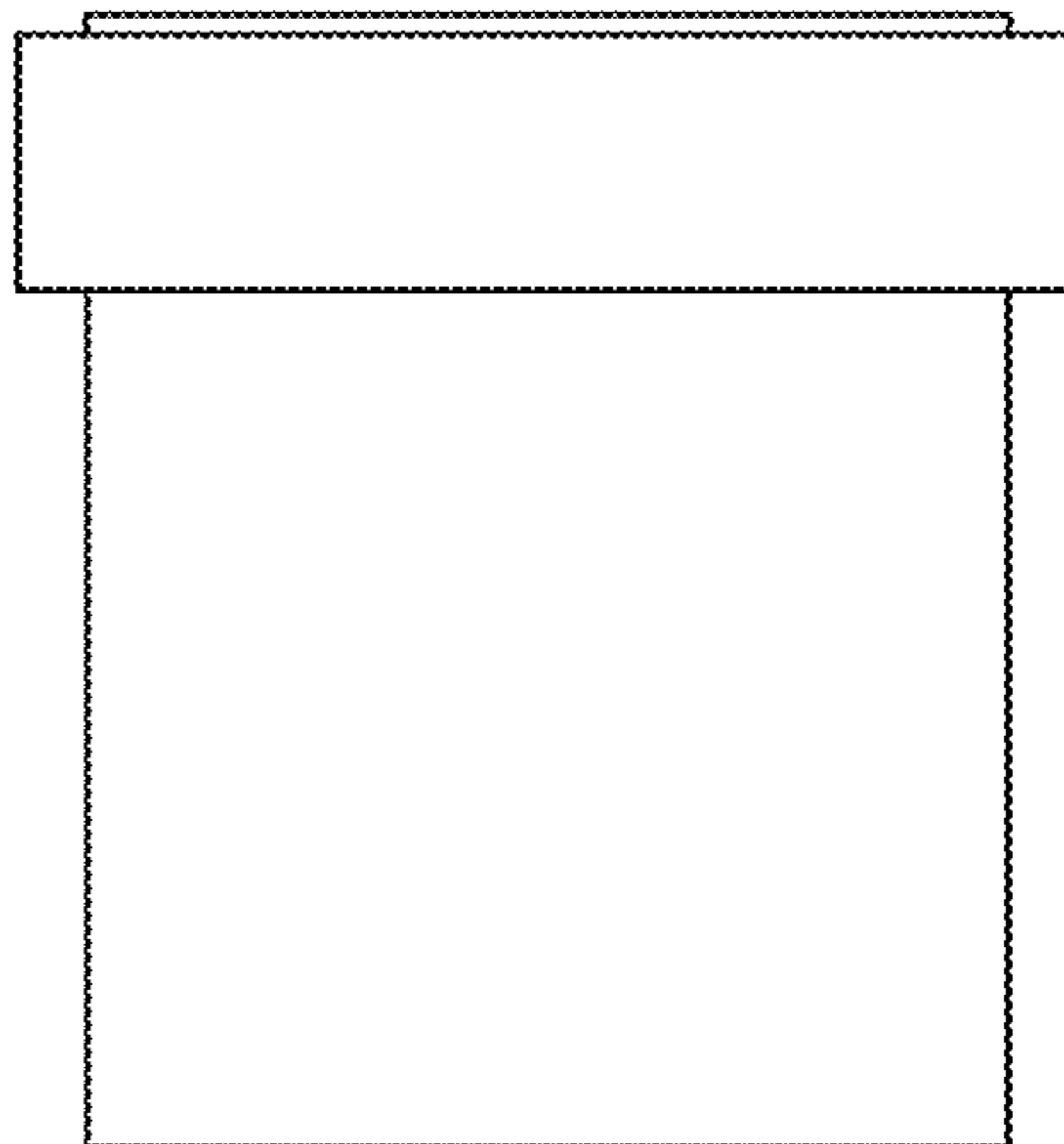


Fig. 5