



US00D701581S

(12) **United States Design Patent**  
**Heitzman**

(10) **Patent No.:** **US D701,581 S**  
(45) **Date of Patent:** **\*\* Mar. 25, 2014**

- (54) **COLLAPSIBLE FRAME FOR AN EXERCISING DEVICE**
- (71) Applicant: **Charles J. Heitzman**, Honolulu, HI (US)
- (72) Inventor: **Charles J. Heitzman**, Honolulu, HI (US)
- (\*\*) Term: **14 Years**
- (21) Appl. No.: **29/442,092**
- (22) Filed: **Dec. 6, 2012**
- (51) **LOC (10) Cl.** ..... **21-02**
- (52) **U.S. Cl.**  
USPC ..... **D21/686**; D21/691
- (58) **Field of Classification Search**  
USPC ..... D21/662, 679, 686, 691, 694, 814;  
482/23, 26, 35-41, 94, 98, 139-143,  
482/145, 148, 208; D6/566, 691.7, 708.16;  
D8/321, 349, 373  
See application file for complete search history.

5,074,549	A *	12/1991	Harvey	.....	482/148
D352,540	S *	11/1994	Harger	.....	D21/691
D354,781	S *	1/1995	Endelman	.....	D21/694
5,779,607	A *	7/1998	Harris	.....	482/140
5,961,430	A *	10/1999	Zuckerman et al.	.....	482/142
D503,757	S *	4/2005	Sjurdagardi	.....	D21/691
D509,548	S	9/2005	Heitzman et al.		
7,651,449	B1 *	1/2010	Balentine	.....	482/95
D634,375	S *	3/2011	Usrey	.....	D21/662
D635,623	S *	4/2011	Wright	.....	D21/686
2005/0261114	A1 *	11/2005	Heitzman et al.	.....	482/142

\* cited by examiner

*Primary Examiner* — Phillip S Hyder

(74) *Attorney, Agent, or Firm* — Jacox, Meckstroth & Jenkins

(57) **CLAIM**

The ornamental design of a collapsible frame for an exercising device, as shown and described.

**DESCRIPTION**

FIG. 1 is a perspective view of a collapsible frame for an exercising device showing my new design;  
 FIG. 2 is a front view thereof, the opposite rear view being a mirror image;  
 FIG. 3 is a side view thereof, the opposite side view being a mirror image;  
 FIG. 4 is a top view thereof;  
 FIG. 5 is a perspective view thereof, shown in a collapsed configuration; and,  
 FIG. 6 is a front view thereof, shown in a collapsed configuration.

**1 Claim, 2 Drawing Sheets**

(56) **References Cited**

U.S. PATENT DOCUMENTS

2,666,640	A *	1/1954	Jennings, Sr.	.....	482/141
2,682,402	A *	6/1954	McCarthy	.....	482/135
3,218,065	A *	11/1965	Anderson	.....	482/148
4,232,863	A *	11/1980	Roach	.....	482/141
D265,575	S *	7/1982	Lunford	.....	D21/691
4,662,629	A *	5/1987	Plovie	.....	482/40

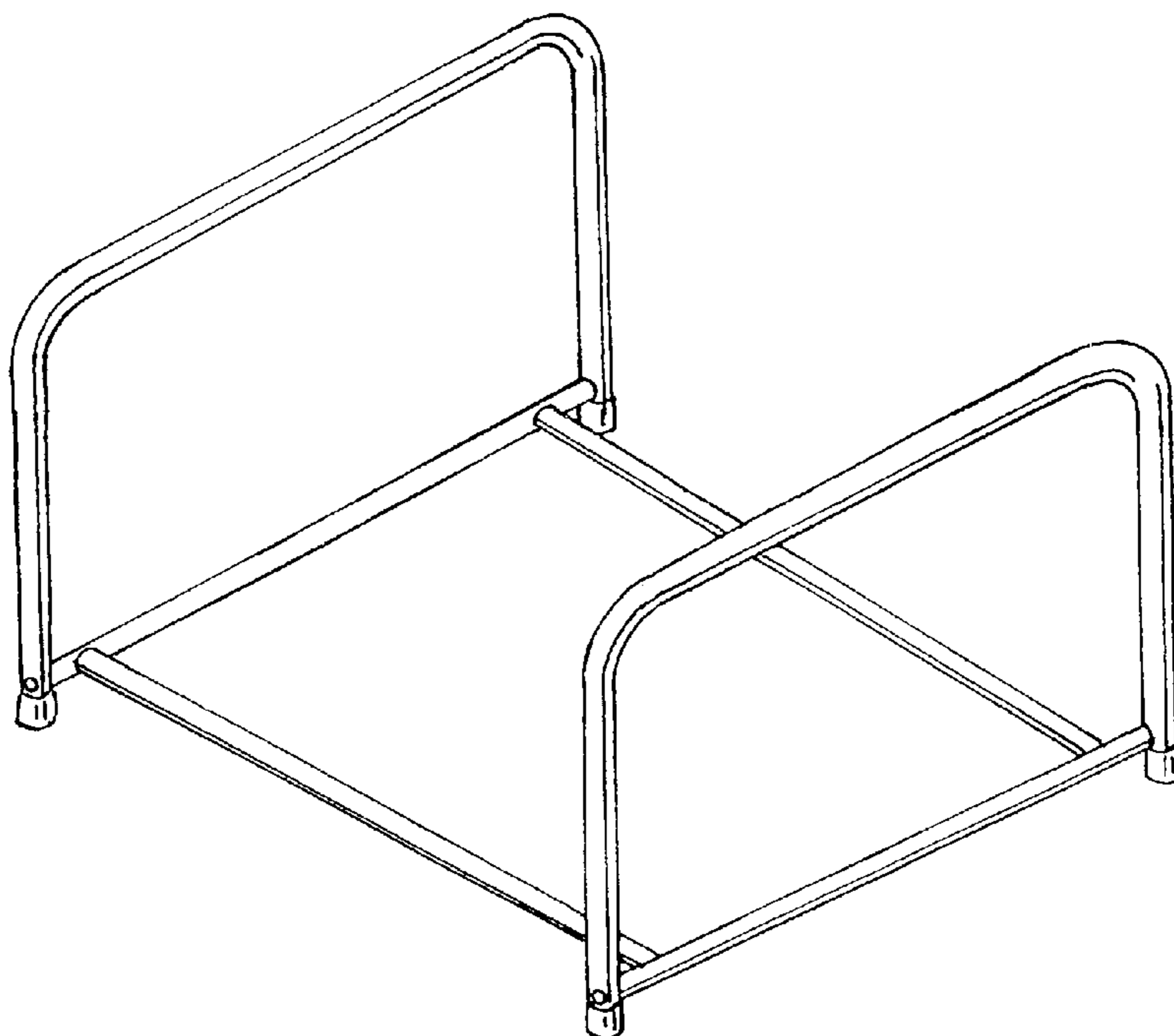


FIG. 1

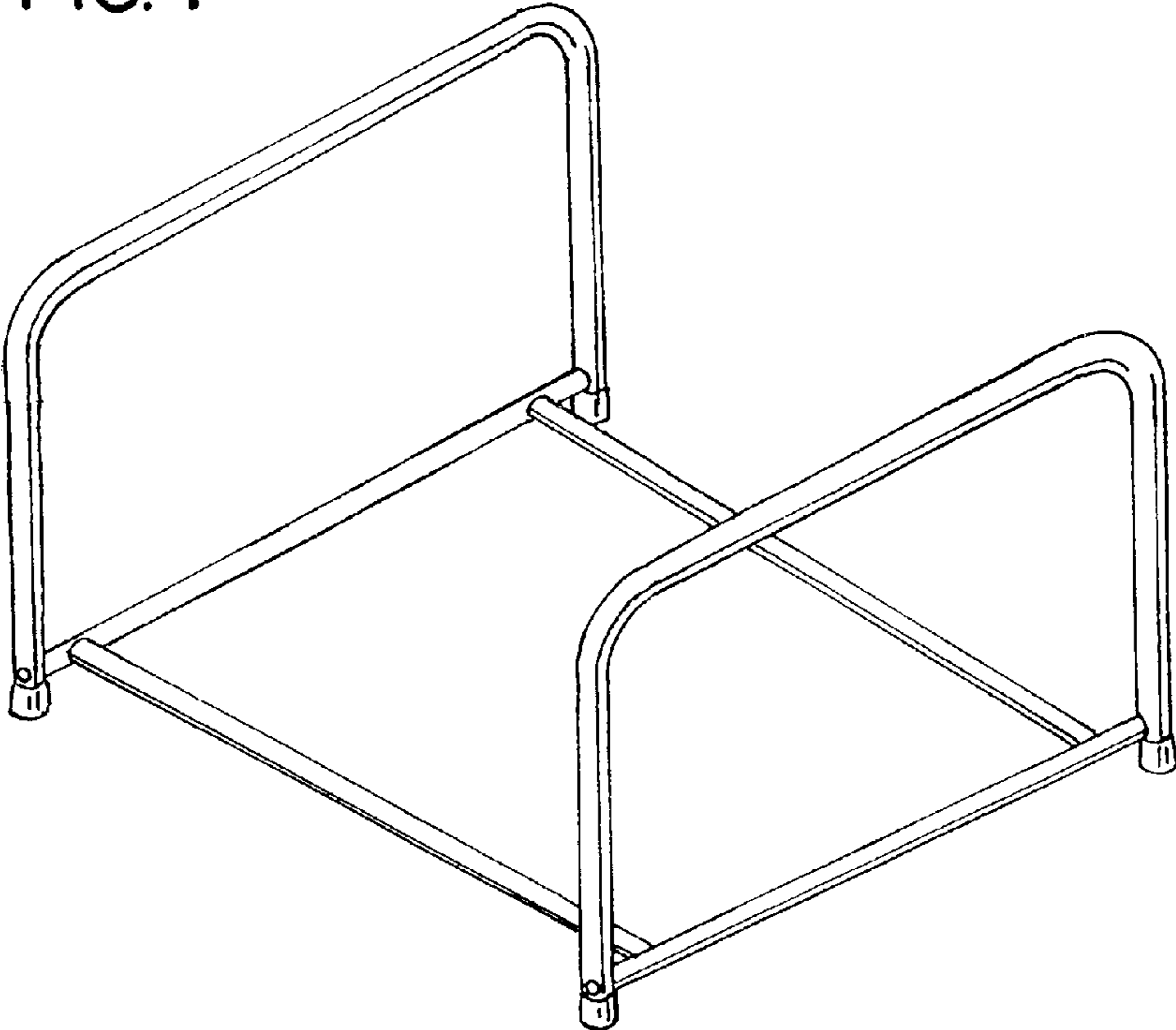


FIG. 2

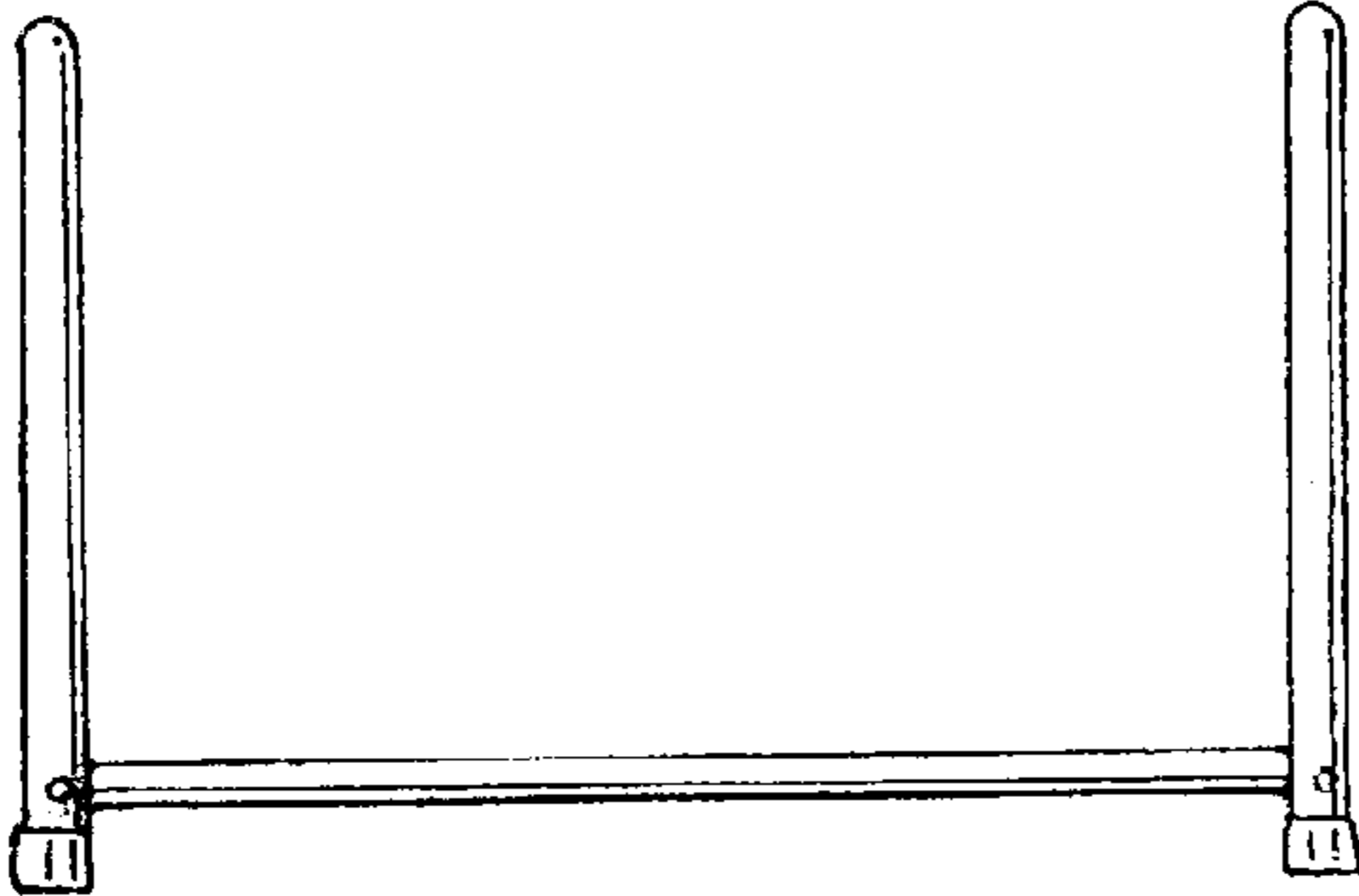


FIG. 3

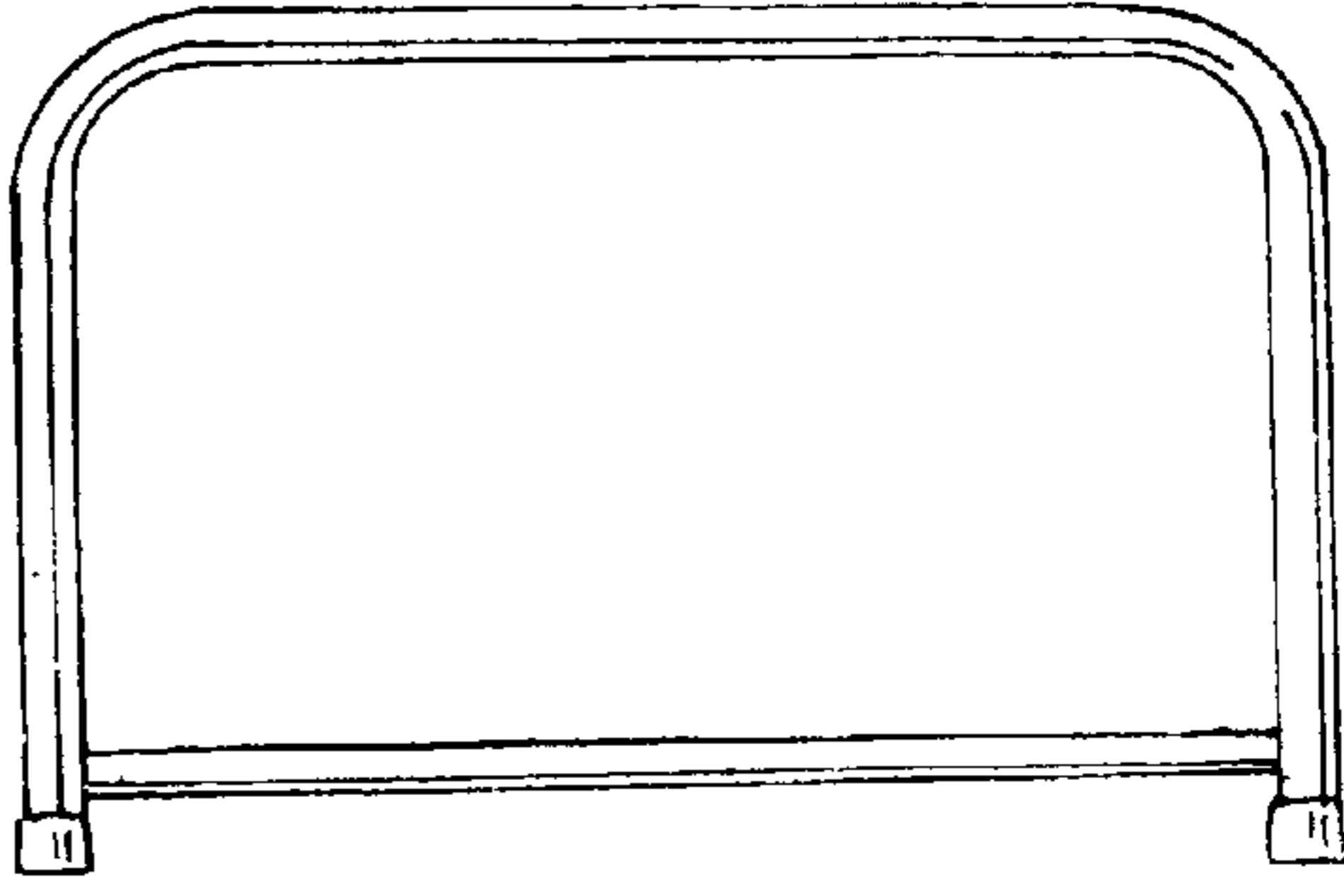


FIG. 4

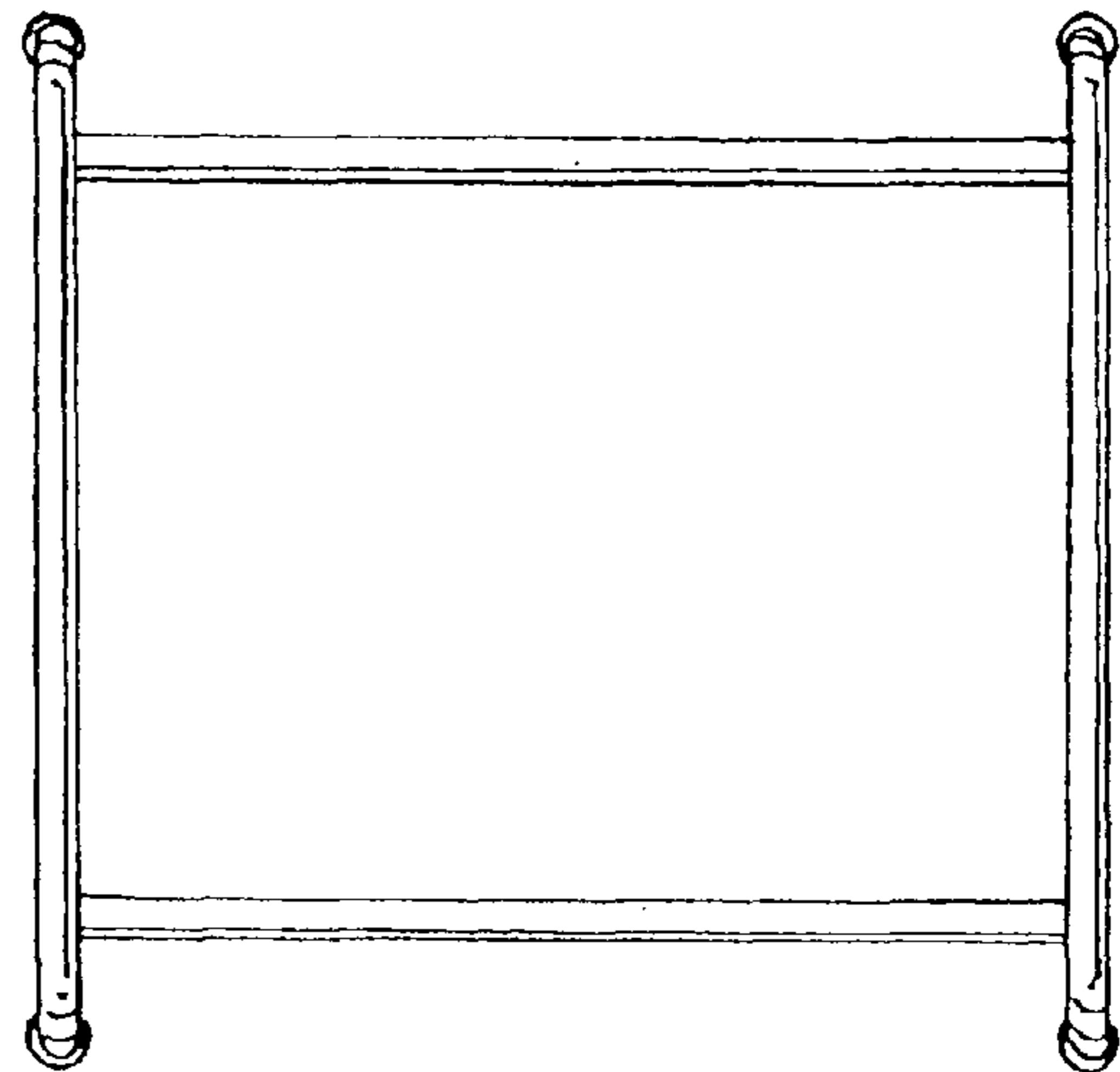


FIG. 5

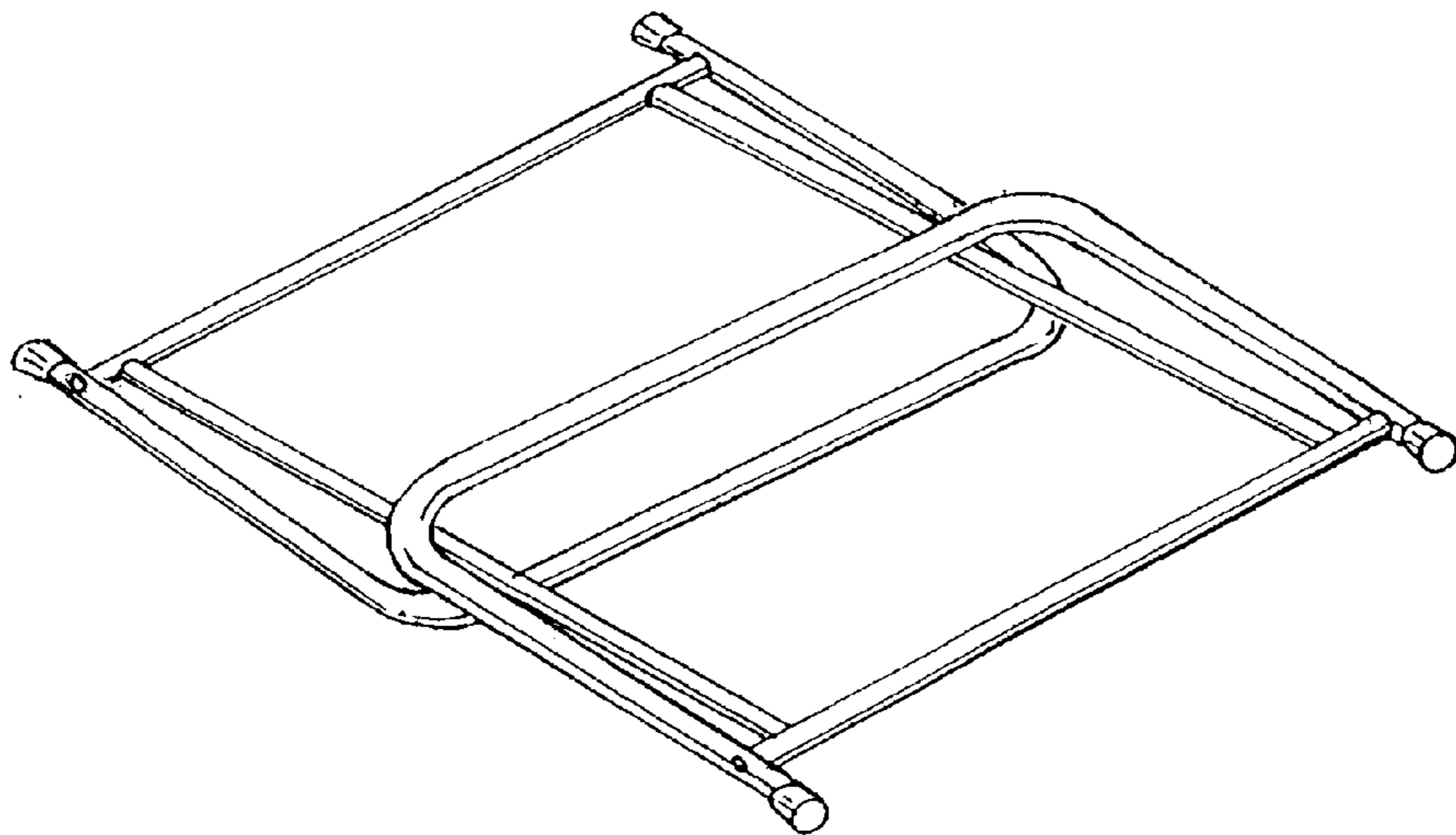


FIG. 6

