



US00D701578S

(12) **United States Design Patent**
Martino et al.

(10) **Patent No.:** **US D701,578 S**
(45) **Date of Patent:** **** Mar. 25, 2014**

- (54) **TOY VEHICLE**
- (71) Applicant: **Mattel, Inc.**, El Segundo, CA (US)
- (72) Inventors: **Anthony M. Martino**, Thousand Oaks, CA (US); **Kevin Kai Cao**, Reseda, CA (US)
- (73) Assignee: **Mattel, Inc.**, El Segundo, CA (US)
- (**) Term: **14 Years**
- (21) Appl. No.: **29/450,467**
- (22) Filed: **Mar. 18, 2013**

3,507,198 A 4/1970 Prochnow
 D220,578 S * 4/1971 Hall D21/549
 D222,161 S * 10/1971 Harrison D21/549

(Continued)

FOREIGN PATENT DOCUMENTS

DE 19902852 C1 7/2000
 EP 0281427 B1 9/1988

(Continued)

OTHER PUBLICATIONS

Hot Wheels Video Racer. User Manual. May 25, 2011 [online],
 [retrieved on Aug. 10, 2013]. Retrieved from the Internet <URL:
http://service.mattel.com/instruction_sheets/W1647-0920G2.pdf>.*

(Continued)

Related U.S. Application Data

- (62) Division of application No. 29/397,875, filed on Jul. 21, 2011, now Pat. No. Des. 681,742.
- (51) **LOC (10) Cl.** **21-01**
- (52) **U.S. Cl.**
USPC **D21/550**
- (58) **Field of Classification Search**
USPC D14/157, 217; D21/424, 433, 533, 539,
D21/548, 549, 550, 561, 562, 563, 580,
D21/581; D12/82, 86, 88, 89, 90, 91, 92,
D12/93; 446/431, 444-447, 452, 454-456,
446/465, 468, 470, 471; 254/423; 283/10 F
See application file for complete search history.

Primary Examiner — Philip S Hyder
Assistant Examiner — Darlington Ly
 (74) *Attorney, Agent, or Firm* — Kolisch Hartwell, PC

(57) **CLAIM**

We claim the ornamental design for a toy vehicle, as shown and described.

DESCRIPTION

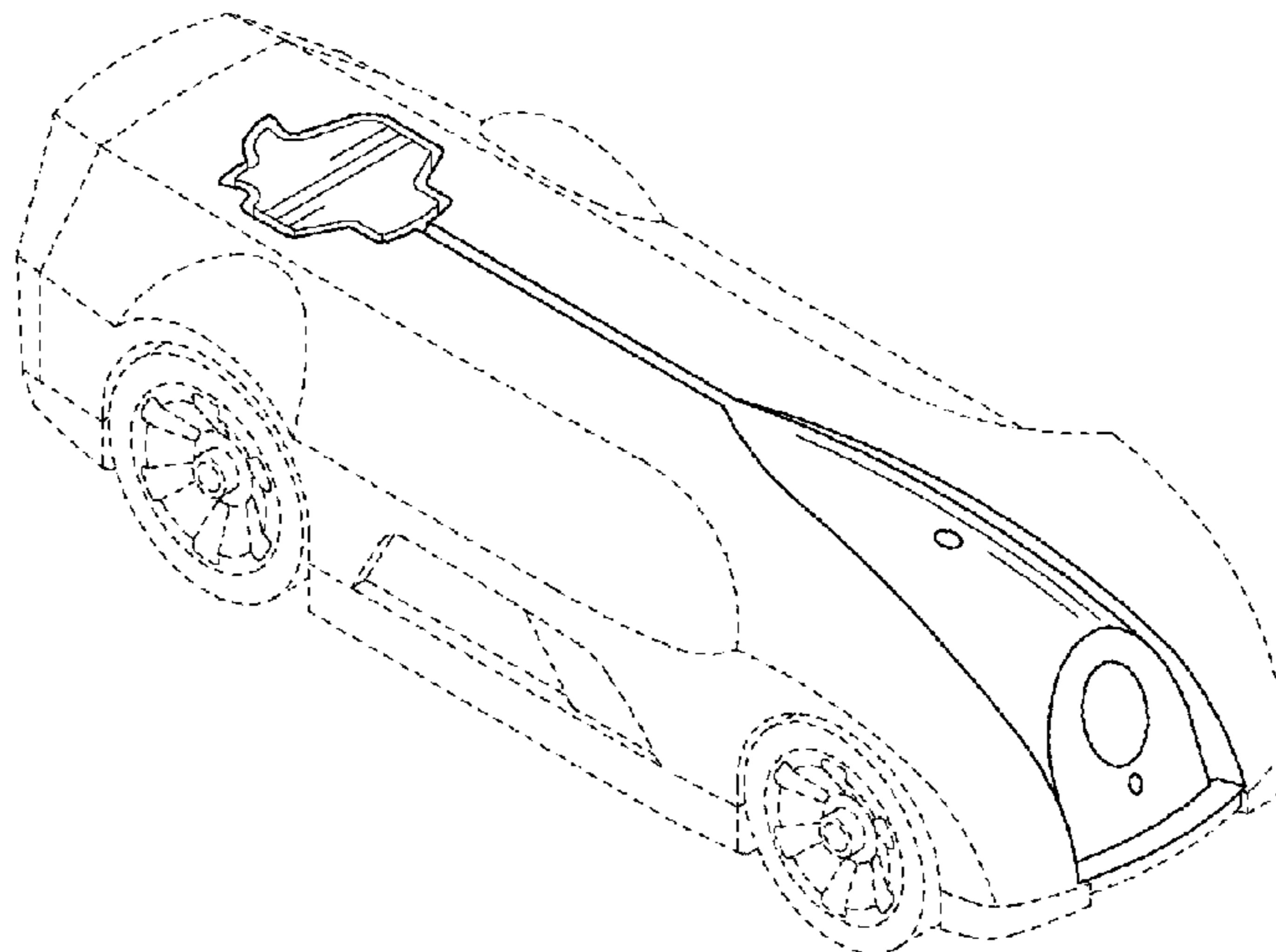
FIG. 1 is a top, front, and right side perspective view of the toy vehicle;
 FIG. 2 is a top, rear, and left side perspective view thereof;
 FIG. 3 is a right side elevation view thereof;
 FIG. 4 is a left side elevation view thereof;
 FIG. 5 is a front elevation view thereof;
 FIG. 6 is a rear elevation view thereof;
 FIG. 7 is a top plan view thereof; and,
 FIG. 8 is a bottom plan view thereof.
 The broken lines shown in the drawings illustrate portions of the toy vehicle that form no part of the claimed design.

(56) **References Cited**

U.S. PATENT DOCUMENTS

1,990,793 A * 2/1935 Matsumoto 446/470
 D95,791 S * 6/1935 Baetz D21/548
 2,132,549 A 10/1938 Wenstrom
 D142,229 S * 8/1945 Roach D21/550
 2,482,248 A 9/1949 Coon
 2,804,902 A 9/1957 Luther et al.

1 Claim, 3 Drawing Sheets



(56)

References Cited

U.S. PATENT DOCUMENTS

3,638,356 A 2/1972 LaBranche
 D231,544 S * 4/1974 Coppuck D21/549
 3,938,166 A 2/1976 Sloop
 3,966,101 A 6/1976 Taylor, III
 4,132,028 A 1/1979 Ogawa
 4,193,639 A 3/1980 Pauly et al.
 4,299,051 A 11/1981 Pauly et al.
 D266,342 S 9/1982 Wilkes
 4,406,085 A 9/1983 Rhodes
 D279,591 S 7/1985 Ogawa
 4,601,318 A 7/1986 Diegelman
 4,714,184 A 12/1987 Young et al.
 D301,355 S 5/1989 Doi
 4,953,766 A 9/1990 Cruickshank
 D311,882 S * 11/1990 Furst D12/92
 4,986,187 A 1/1991 Booth et al.
 5,005,213 A 4/1991 Hanson et al.
 5,014,892 A 5/1991 Copeland
 5,035,382 A 7/1991 Lissaman et al.
 5,064,109 A 11/1991 Caster
 5,092,458 A 3/1992 Yokoyama
 D327,103 S 6/1992 Poulsen
 5,174,593 A 12/1992 Chapman
 D333,168 S 2/1993 Huang
 5,251,800 A 10/1993 Leenders
 5,337,891 A 8/1994 Toth
 5,350,033 A 9/1994 Kraft
 5,358,110 A 10/1994 Simpson
 5,481,257 A 1/1996 Brubaker et al.
 5,555,019 A 9/1996 Dole
 5,596,319 A 1/1997 Spry
 5,812,736 A 9/1998 Anderson
 5,828,917 A 10/1998 Stephenson
 6,028,627 A 2/2000 Helmsderfer
 D424,633 S * 5/2000 Hollis et al. D21/548
 6,078,355 A 6/2000 Zengel
 6,085,131 A 7/2000 Kim
 6,108,031 A 8/2000 King et al.
 6,138,826 A 10/2000 Kanamori et al.
 6,155,835 A 12/2000 Shercliff
 D439,285 S 3/2001 Chen et al.
 6,224,227 B1 5/2001 Klootz
 6,264,521 B1 7/2001 Hernandez
 6,293,798 B1 9/2001 Boyle et al.
 6,304,290 B1 10/2001 Bailly
 6,309,306 B1 10/2001 Geagley et al.
 6,396,403 B1 5/2002 Haner
 6,497,608 B2 12/2002 Ho et al.
 6,520,642 B1 2/2003 Chapman
 6,535,793 B2 3/2003 Allard
 6,540,615 B2 4/2003 Tanaka et al.
 6,547,624 B1 4/2003 Bojesen et al.
 6,549,231 B1 4/2003 Matsui
 6,568,983 B1 5/2003 Peters
 6,612,658 B1 9/2003 Oumedian
 6,632,121 B2 10/2003 Edmisson et al.
 6,657,673 B2 12/2003 Ishikawa
 6,692,329 B2 2/2004 Peters
 6,733,360 B2 5/2004 Dooley et al.
 6,746,304 B1 6/2004 Liu
 6,752,720 B1 6/2004 Clapper et al.
 6,811,492 B1 11/2004 Arakawa et al.
 6,899,255 B2 5/2005 Pringle
 6,937,289 B1 8/2005 Ranta et al.
 6,954,695 B2 10/2005 Bonilla et al.
 7,060,921 B2 6/2006 Kubo
 7,106,959 B2 9/2006 Sato
 D530,757 S 10/2006 Jones
 7,194,202 B2 3/2007 Funahashi et al.
 D541,354 S 4/2007 Campbell et al.
 D542,362 S * 5/2007 Campbell D21/581
 7,402,964 B1 7/2008 Calhoun
 D576,523 S * 9/2008 Battams et al. D12/88
 7,445,539 B2 11/2008 Laurienzo et al.
 7,458,736 B2 12/2008 Woodman

7,471,334 B1 12/2008 Stenger
 7,494,398 B2 2/2009 Laurienzo
 D587,629 S * 3/2009 Crijns D12/88
 7,502,550 B2 3/2009 Ariga
 7,557,859 B2 7/2009 Lee
 7,570,295 B2 8/2009 Funato et al.
 7,653,292 B2 1/2010 Yamaguchi et al.
 7,704,119 B2 4/2010 Evans
 7,721,893 B2 5/2010 Law
 7,726,887 B2 6/2010 Su et al.
 7,731,588 B2 6/2010 Templeman
 7,762,731 B2 7/2010 Arbuckle et al.
 7,777,969 B2 8/2010 Shirono et al.
 7,789,228 B2 9/2010 Zenzai
 8,011,737 B2 9/2011 Wang et al.
 D651,960 S 1/2012 Sahara et al.
 D679,645 S 4/2013 Chung
 D681,742 S * 5/2013 Martino et al. D21/550
 D683,295 S 5/2013 Pollmann
 2001/0015766 A1 8/2001 Marchesini
 2001/0045978 A1 11/2001 McConnell et al.
 2002/0081937 A1 6/2002 Yamada et al.
 2002/0106965 A1 8/2002 Dooley et al.
 2003/0044180 A1 3/2003 Lindberg
 2003/0190856 A1 10/2003 Peters
 2003/0232649 A1 12/2003 Gizis et al.
 2004/0251650 A1 12/2004 Katsuyama et al.
 2006/0076735 A1 4/2006 Proch
 2006/0110146 A1 5/2006 Ariga
 2006/0223635 A1 10/2006 Rosenberg
 2006/0293102 A1 12/2006 Kelsey
 2008/0131106 A1 6/2008 Bruce
 2009/0004948 A1 1/2009 Ando et al.
 2009/0140570 A1 6/2009 Houkal
 2009/0194443 A1 8/2009 Cuddeback
 2010/0054724 A1 3/2010 Chamberlayne
 2010/0081357 A1 4/2010 Alles
 2010/0316369 A1 12/2010 Pyle
 2011/0024314 A1 2/2011 Merrill et al.
 2012/0052767 A1 * 3/2012 Martino et al. 446/465

FOREIGN PATENT DOCUMENTS

EP 1310280 A2 5/2003
 JP 10043439 A 2/1998
 WO 0060870 A1 10/2000
 WO 0156676 A1 8/2001
 WO 0180212 A1 10/2001
 WO 0195988 A1 12/2001

OTHER PUBLICATIONS

Bradford, K.T. Tiny Cameras Find Their Way Into Hot Wheels' Video Racer Cars. Feb. 15, 2011 [online], [retrieved on Aug. 10, 2013]. Retrieved from the Internet <URL: <http://blog.laptopmag.com/tiny-cameras-find-their-way-into-hot-wheels-video-racer-cars>>.*
 www.halfbakery.com; "A Matchbox Car Camera: Inside Perspective on Toy Car Stunts"; Jul. 12, 2000; 3 pages.; http://www.halfbakery.com/idea/A_20Matchbox_20Car_20_Camera.
 Stern, Joanna, Hot Wheels Video Racer has a VGA camera under its hood, confirms that kids have it all. Engadget. Jan. 21, 2010 [online], [retrieved on Oct. 1, 2012]. Retrieved from the Internet <URL: <http://www.engadget.com/2011/01/21/hot-wheels-video-racer-has-a-vga-camera-under-its-hood-confirms/>>.
 Mangis, Carol, Hot Wheels makes RC cars pocketable. Consumer Reports. Feb. 17, 2011 [online], [retrieved on Oct. 1, 2012]. Retrieved from the Internet <URL: <http://news.consumerreports.org/electronics/2011/02/mattel-hot-wheels-video-racer.html>>.
 Straylor, Mattel Hot Wheels Video Racer: Get footage from a toy's-eye view. YouTube. Jan. 9, 2011 [online], [retrieved on Oct. 1, 2012]. Retrieved from the Internet <URL: <http://www.youtube.com/watch?v=1xujxUWs-rs>>.

(56)

References Cited

OTHER PUBLICATIONS

WTB (MA): (1) 2008 Legacy GT wheel (6-spoke) . Jul. 12, 2011 [online], [retrived on Aug. 10, 2013], Retrieved from the Internet <URL: [U.S. Patent and Trademark Office; Office Action regarding U.S. Appl. No. 29/456,261; mailing date Aug. 22, 2013; 9 pages.
U.S. Patent and Trademark Office; Office Action regarding U.S. Appl. No. 29/456,260; mailing date Aug. 22, 2013; 9 pages.
U.S. Patent and Trademark Office; Office Action regarding U.S. Appl. No. 29/450,465 mailing date Aug. 26, 2013; 10 pages.
U.S. Patent and Trademark Office; Office Action regarding U.S. Appl. No. 29/450,469; mailing date Sep. 5, 2013; 9 pages.](http://www.google.com/imgres?q=6+spokes+wheel+subaru&sa=X&ris=com.microsoft:en-usIE-SearchBox&biw=1227&bih=963&tbn=isch&tbnid=zjWCPlecM_YhYM:&imgrefurl=http://legacygt.com/forums/shothre>.
U.S. Patent and Trademark Office; Office Action regarding U.S. Appl. No. 29/397,875; mailing date Oct. 23, 2012; 13 pages.</p></div><div data-bbox=)

* cited by examiner

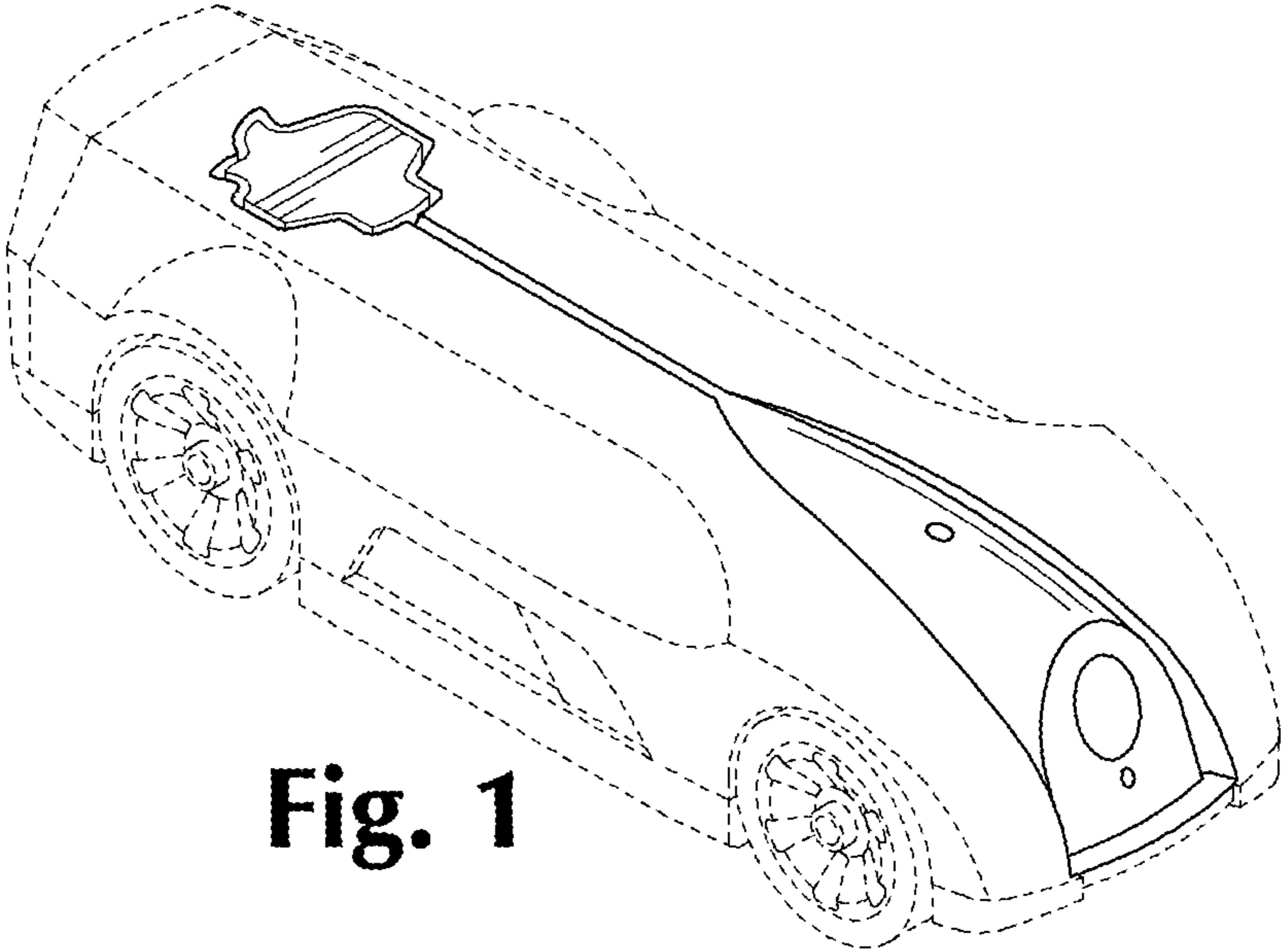


Fig. 1

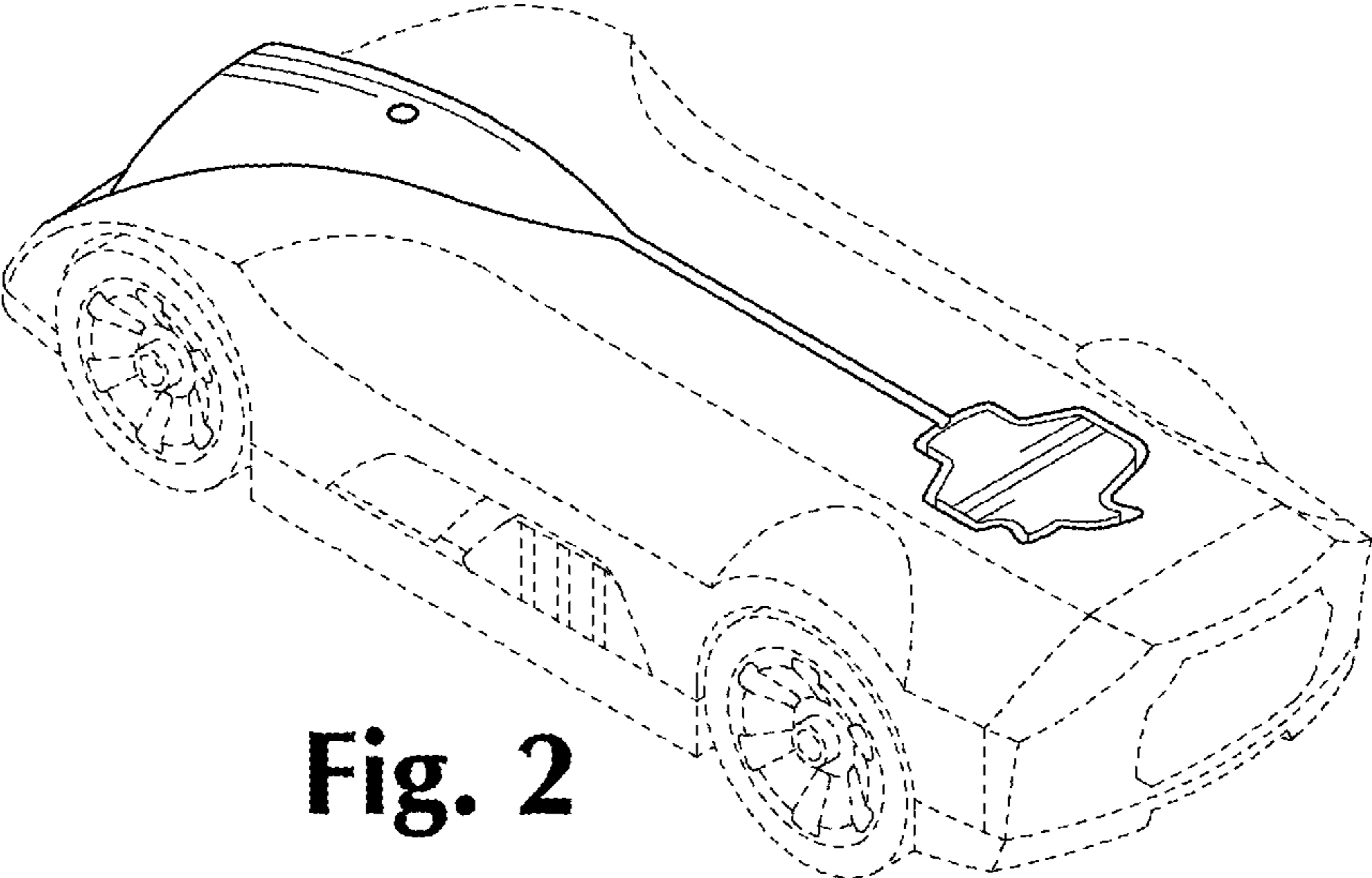


Fig. 2

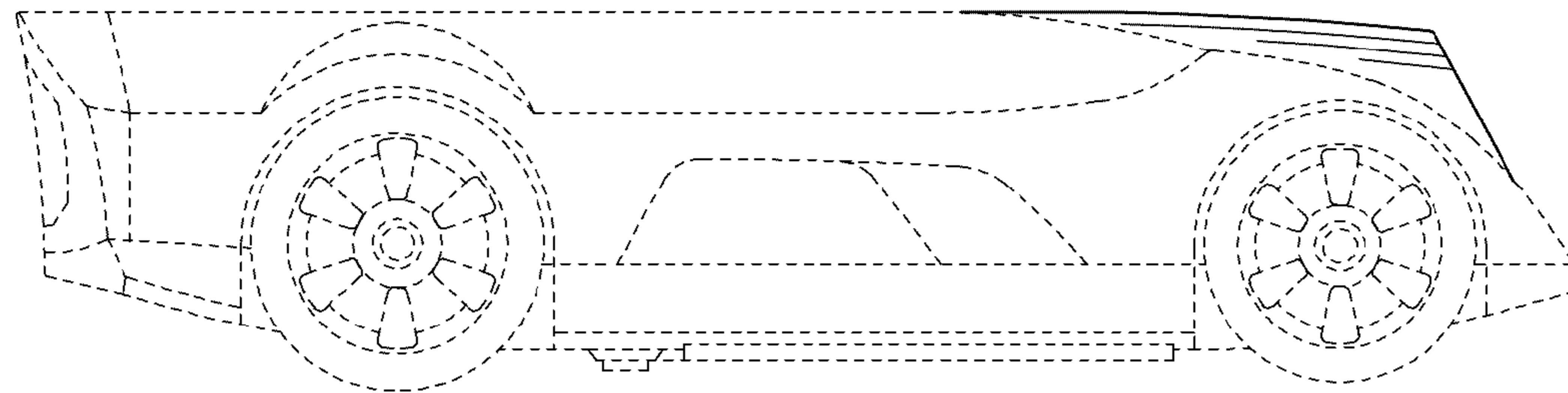


Fig. 3

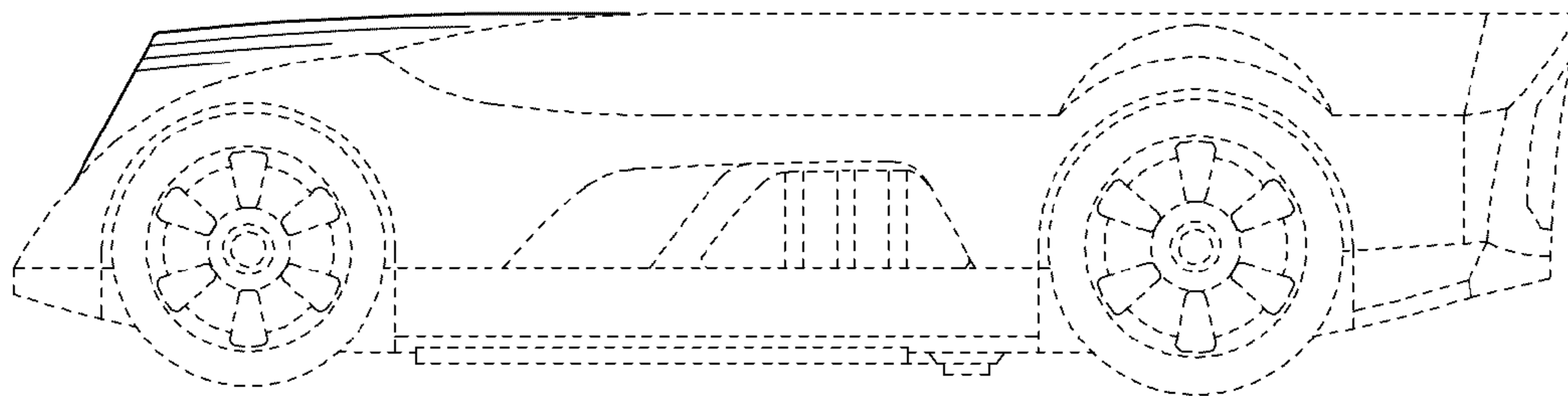


Fig. 4

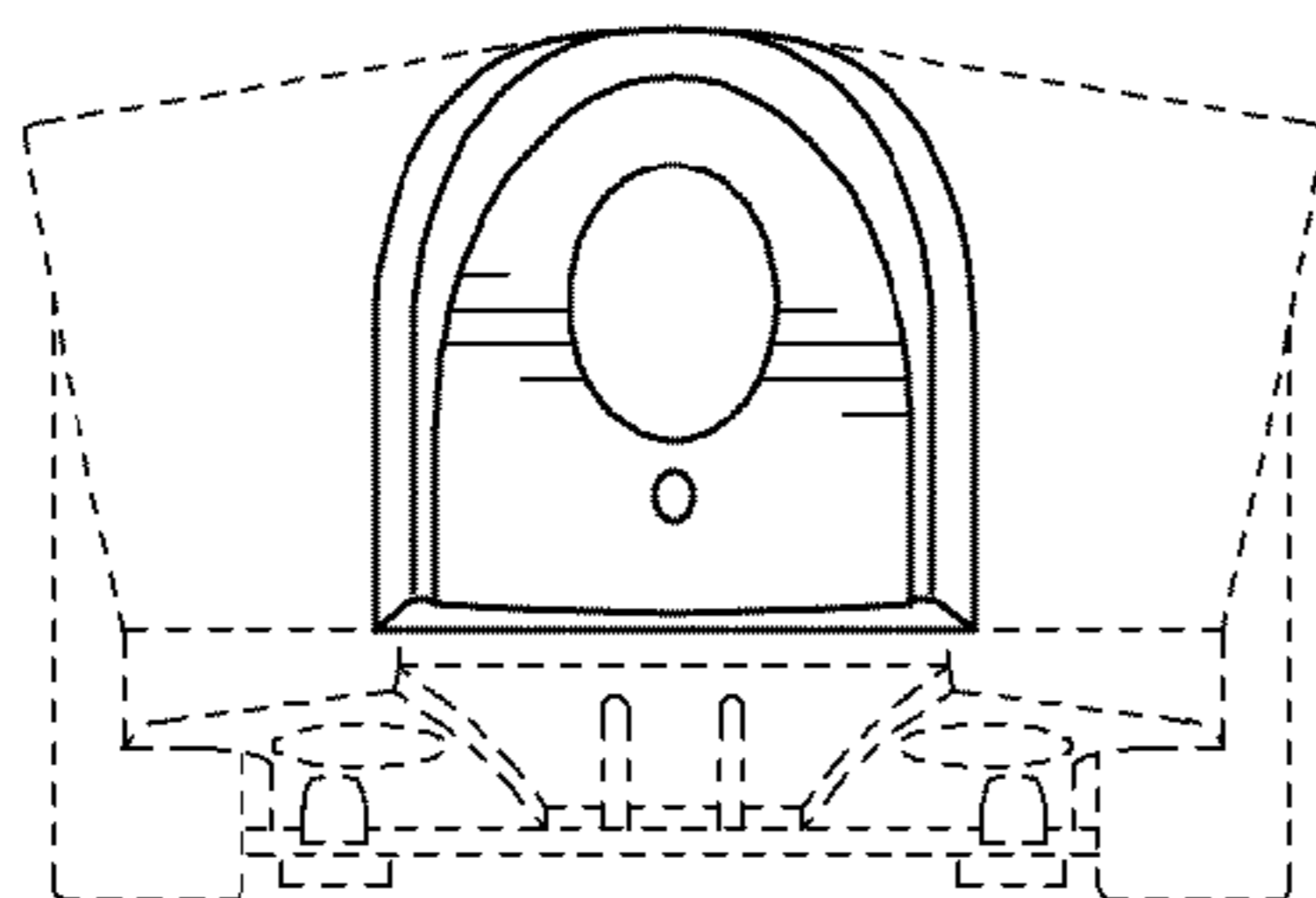


Fig. 5

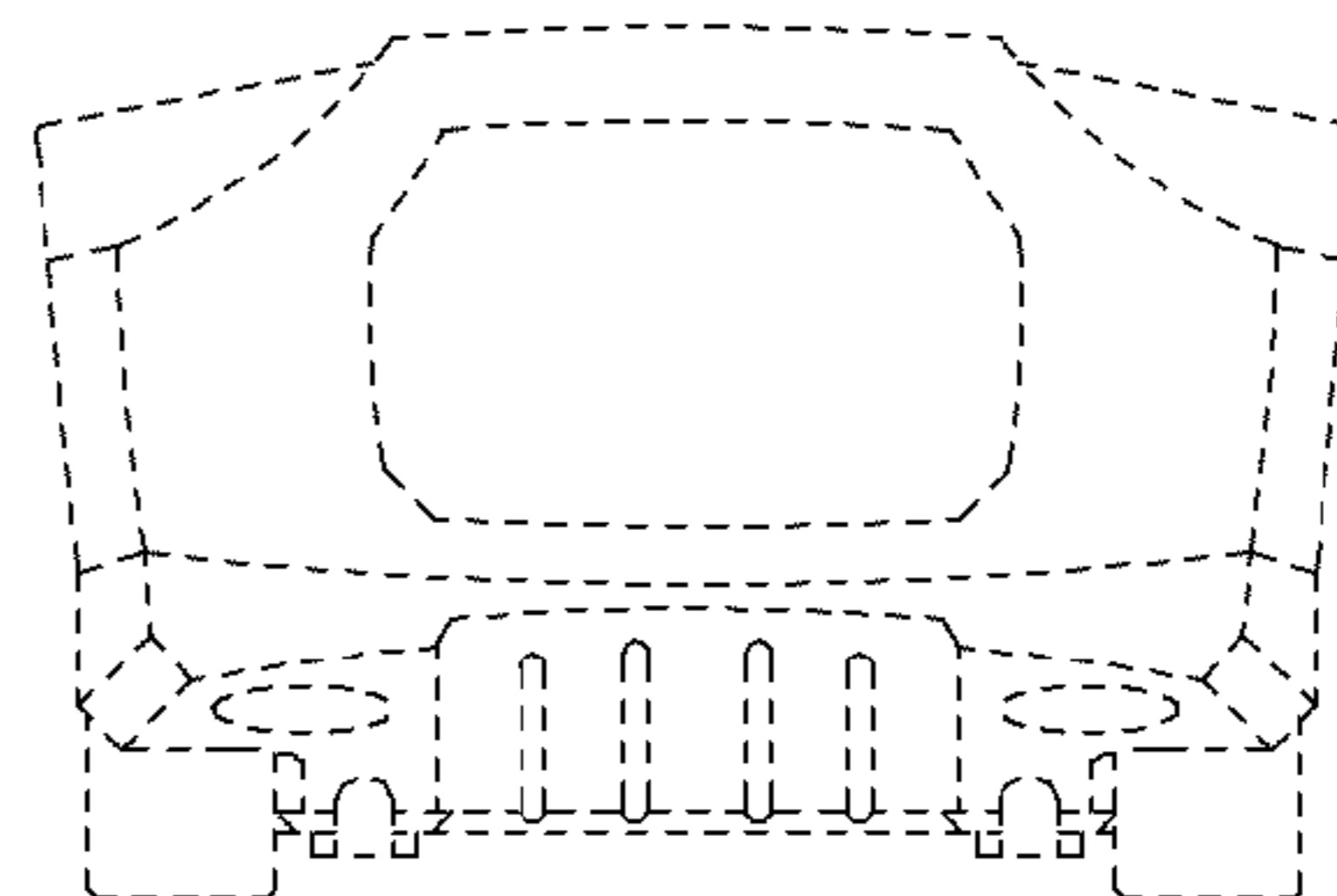


Fig. 6

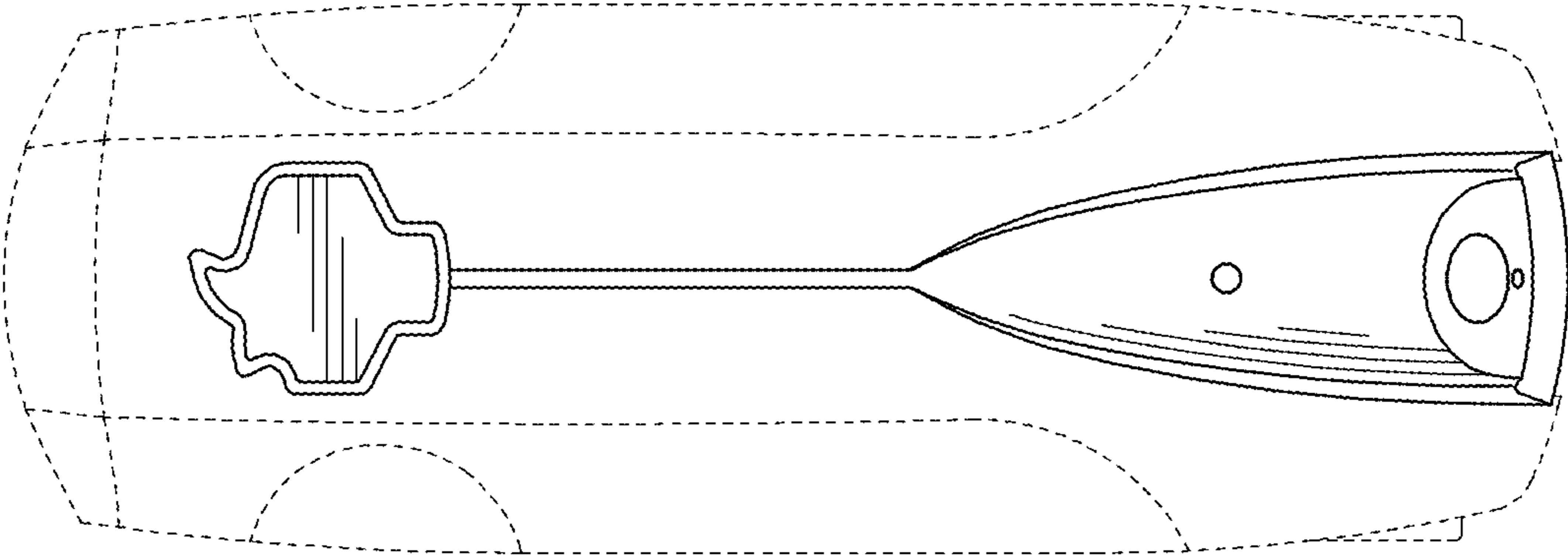


Fig. 7

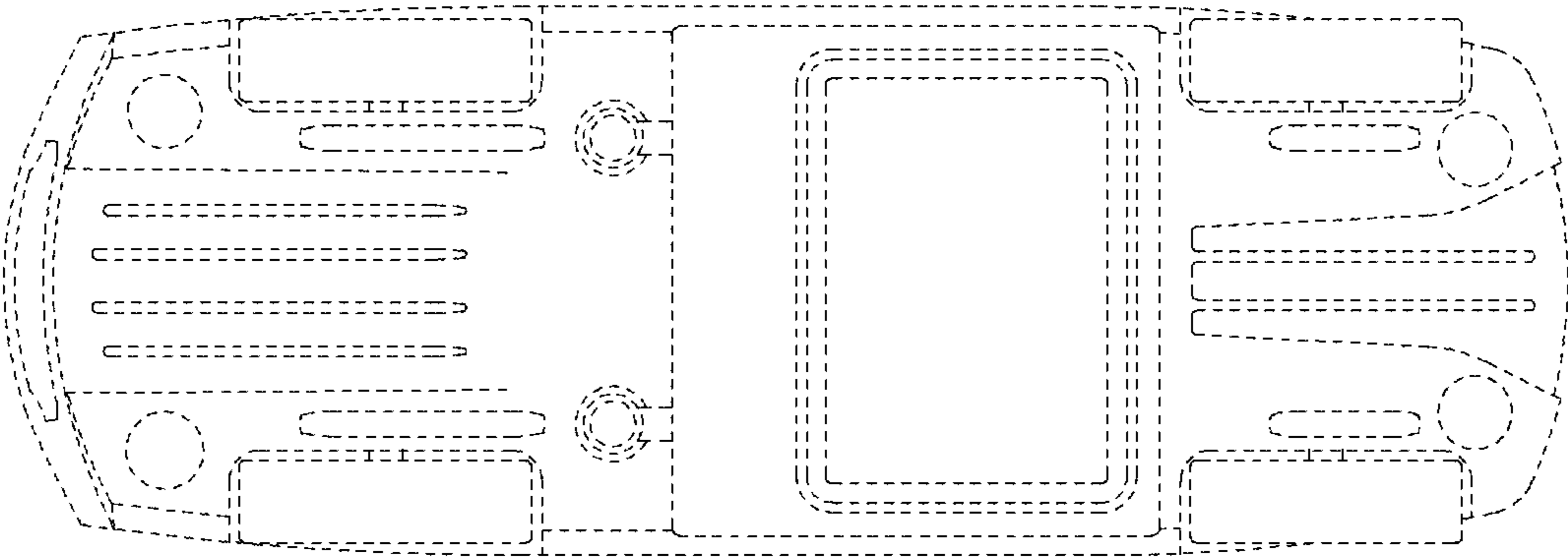


Fig. 8