



US00D701577S

(12) **United States Design Patent**
Harvey

(10) **Patent No.:** **US D701,577 S**
(45) **Date of Patent:** **** Mar. 25, 2014**

(54) **PATHWAY PUZZLE**

(76) Inventor: **John Kirk Harvey**, Wynnewood, PA
(US)

(**) Term: **14 Years**

(21) Appl. No.: **29/374,403**

(22) Filed: **Aug. 8, 2011**

(51) **LOC (10) Cl.** **21-01**

(52) **U.S. Cl.**
USPC **D21/478**

(58) **Field of Classification Search**

USPC D21/302, 306, 308, 334, 336, 340, 362,
D21/397, 468, 470, 471, 478, 479, 480, 488,
D21/492; D5/63; D6/397, 451, 509, 588,
D6/592, 597, 610, 615, 618, 621;
D7/551.1, 554.2, 560, 571, 572, 584,
D7/610, 624.1, 625, 363-365, 367, 388,
D7/389, 396.4, 402, 407, 408; D10/2, 6,
D10/17, 22, 31, 33, 46.1, 126; D11/121,
D11/125, 130, 131, 132, 133; D14/478;
D19/59, 62, 64; D20/10, 11, 19, 21,
D20/28, 29; D27/120, 132; 273/126 R, 241,
273/249, 271, 275, 276, 280, 281, 282.1,
273/283, 284, 287, 288, 142 HA, 148 R,
273/309, 153 R, 155-157 R, 153 S, 443

See application file for complete search history.

(56) **References Cited**

U.S. PATENT DOCUMENTS

598,889 A 2/1898 Young
766,118 A 7/1904 Saunders
887,464 A 5/1908 Creasey
928,833 A 7/1909 Zschokke
939,050 A * 11/1909 Matthews 273/109
D172,365 S * 6/1954 Salmon D21/362
D243,203 S * 1/1977 Wilkins D21/348
4,163,556 A * 8/1979 Bertin 463/67

4,452,455 A 6/1984 Bergstrom et al.
4,570,935 A 2/1986 Stefanini
4,667,960 A 5/1987 Stefanini
4,685,679 A 8/1987 Ben-Gal
4,712,796 A * 12/1987 Reiss 273/148 R
5,286,026 A * 2/1994 Schnapp 273/155
7,510,188 B2 * 3/2009 Yang et al. 273/161
2012/0286472 A1 * 11/2012 Harvey 273/153 R

* cited by examiner

Primary Examiner — Catherine Tuttle

(57) **CLAIM**

The ornamental design for the pathway puzzle, as shown and described.

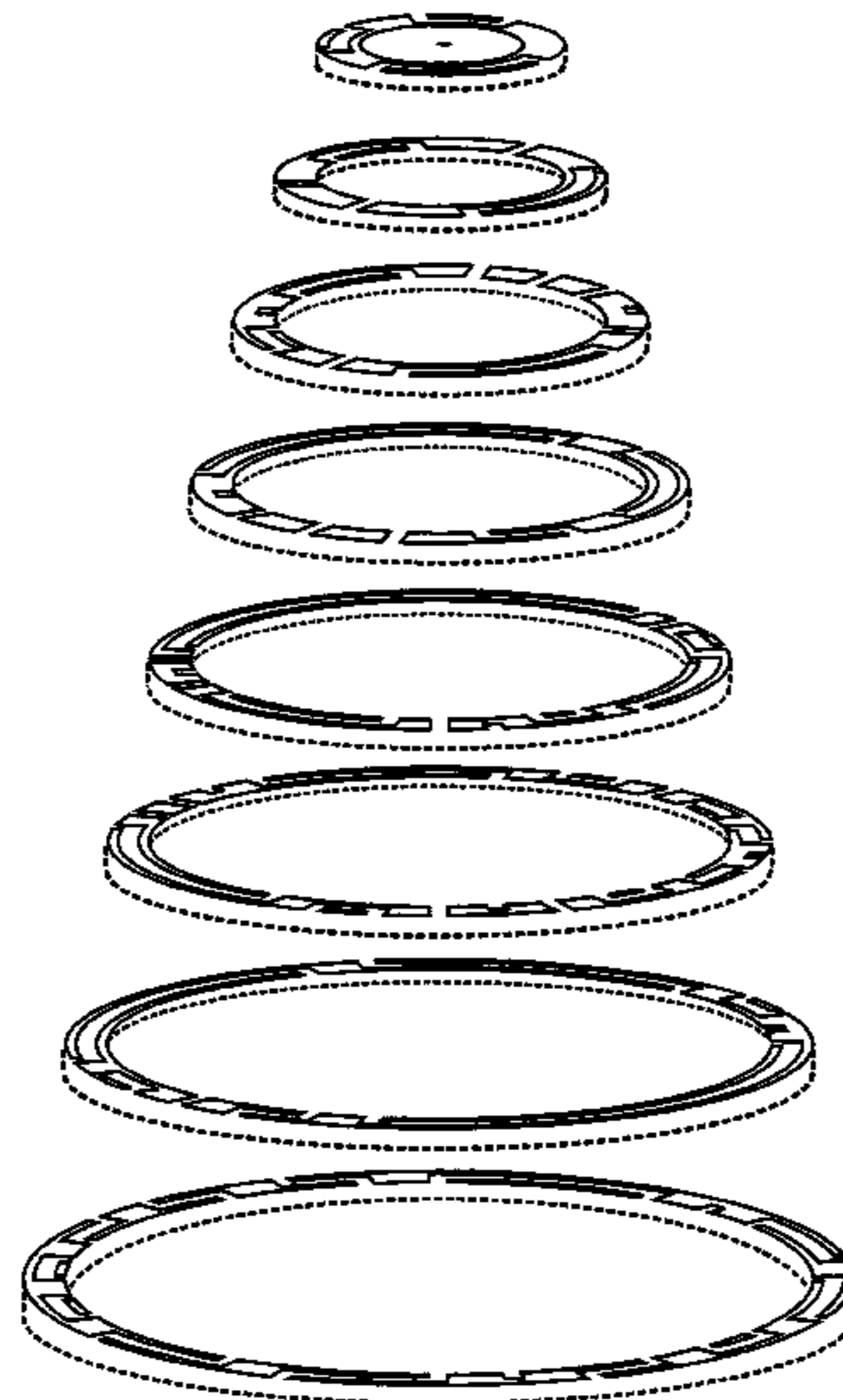
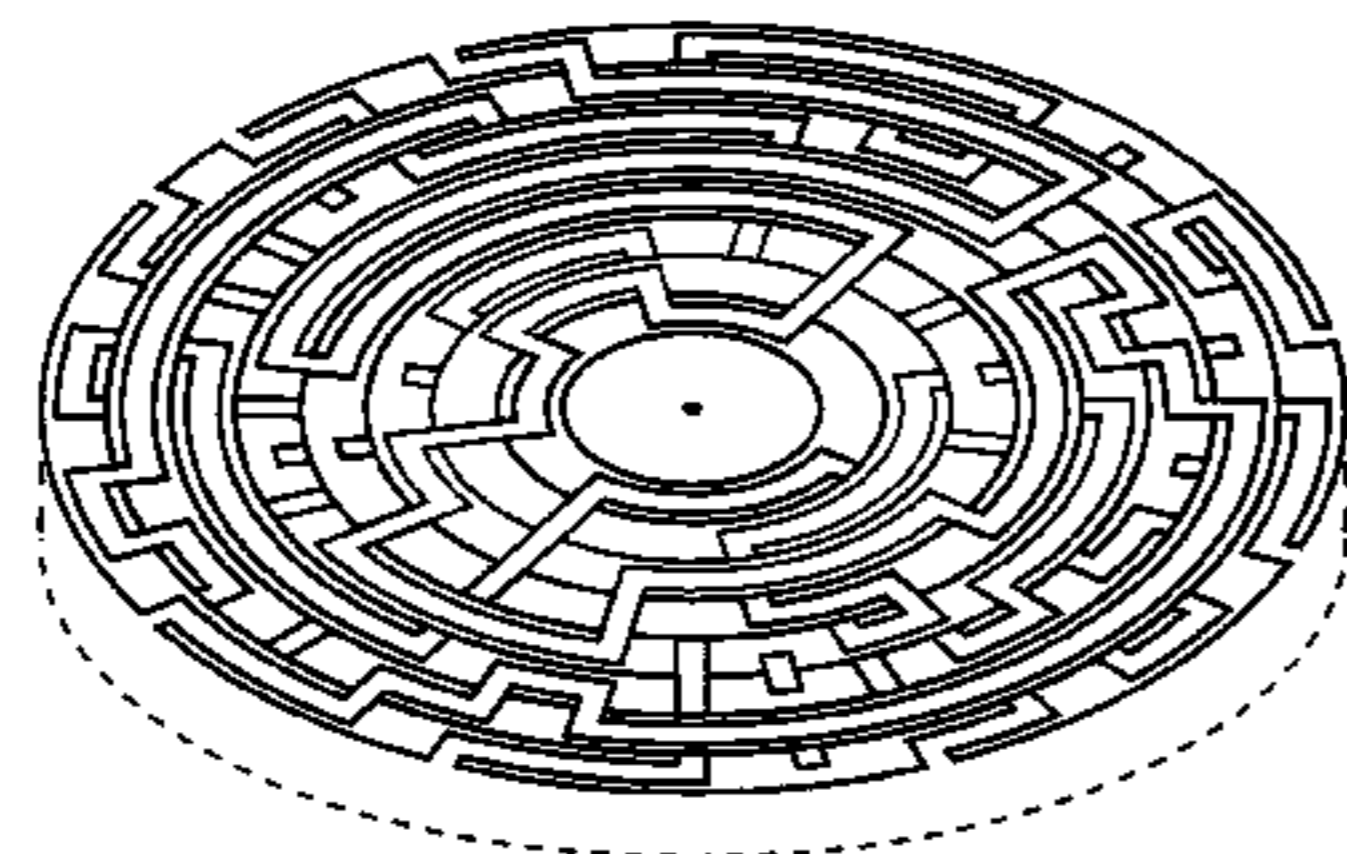
DESCRIPTION

FIG. 1 is a top plan view showing my new design for a pathway puzzle in its solved state;
FIG. 2 is a front perspective view thereof.
FIG. 3 is a top plan view showing the design with its rings rotated to an alternate, unsolved state; and,
FIG. 4 is an exploded perspective view of FIGS. 1 and 2.
The broken lines are included for the purpose of illustrating portions of the pathway puzzle that form no part of the claimed design.

The design consists in a set of surface patterns applied to the puzzle rings, wherein the solved state in FIGS. 1 and 2 forms a continuous pathway extending from the outer perimeter of the outer ring through the center ring and back out to the outer perimeter of the outer ring.

Applicant's design is a series of surface patterns applied to a set of rotatable rings or circles. Rotations of the rings cause different configurations of pathways to form between rings within the surface pattern. A certain configuration of the rings will reveal a solution wherein there is an unbroken pathway from the outermost edge of the outermost ring, through the center ring, and back out again to the outermost edge of the outermost ring.

1 Claim, 3 Drawing Sheets



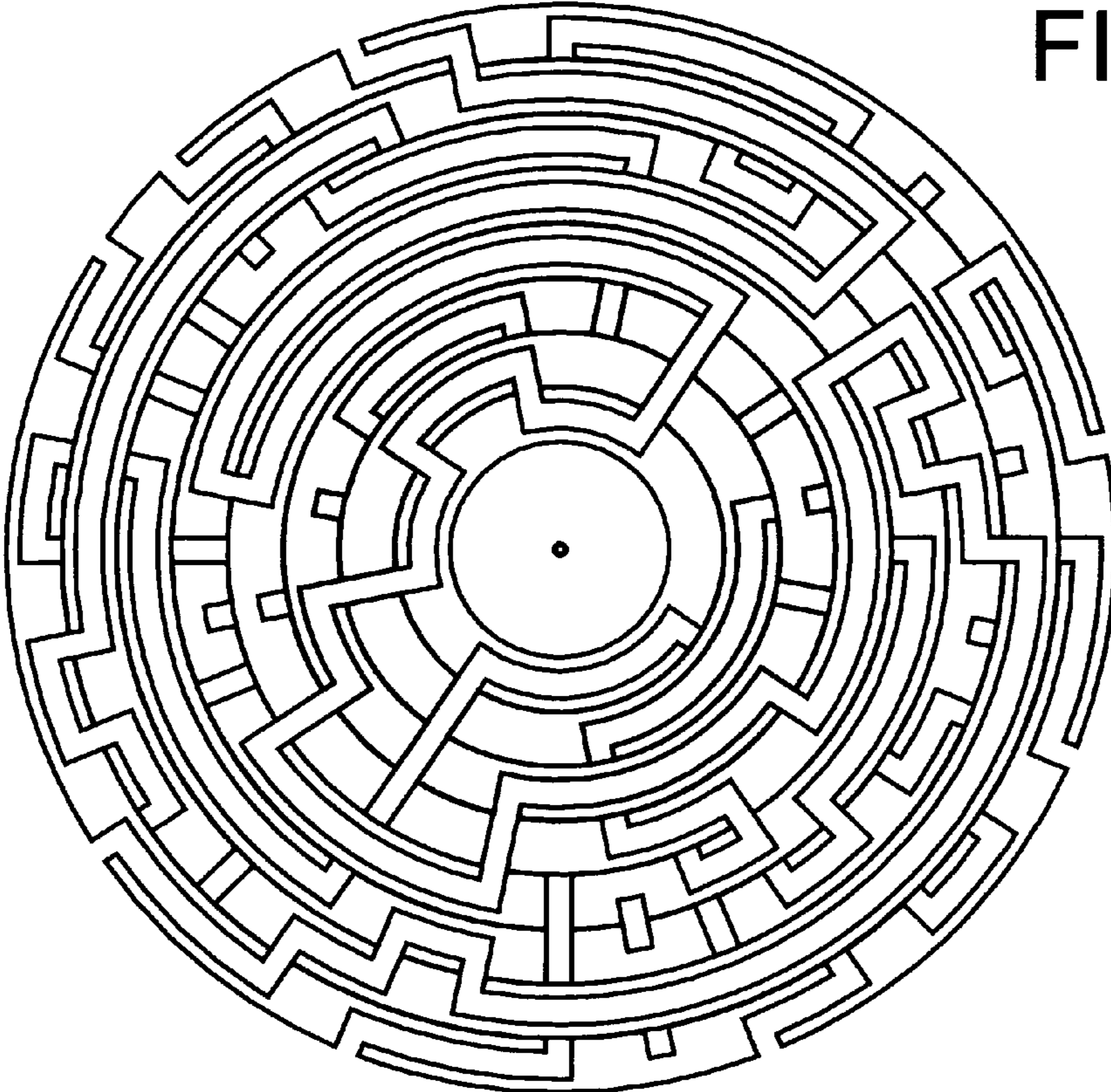


FIG. 1

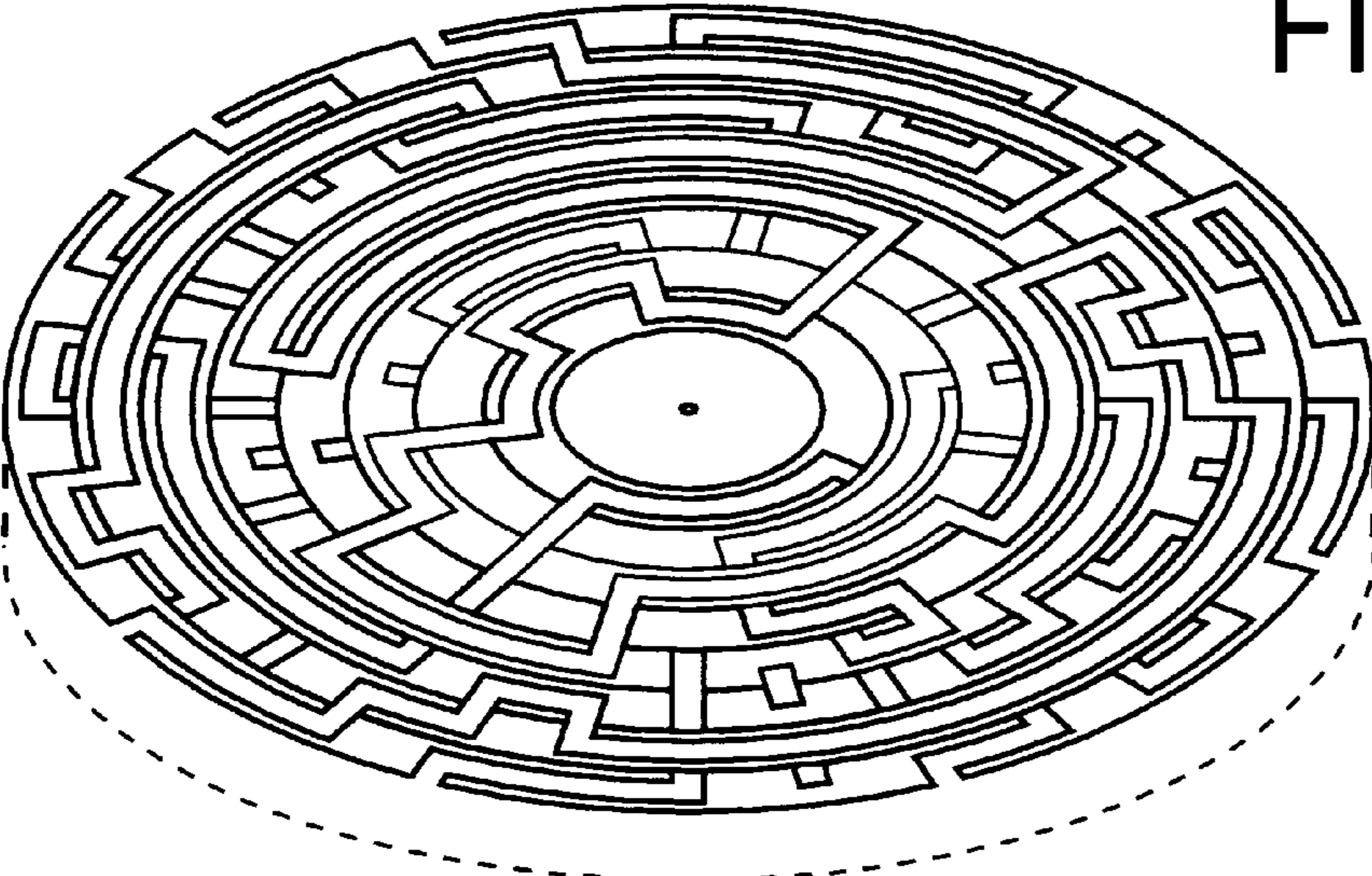
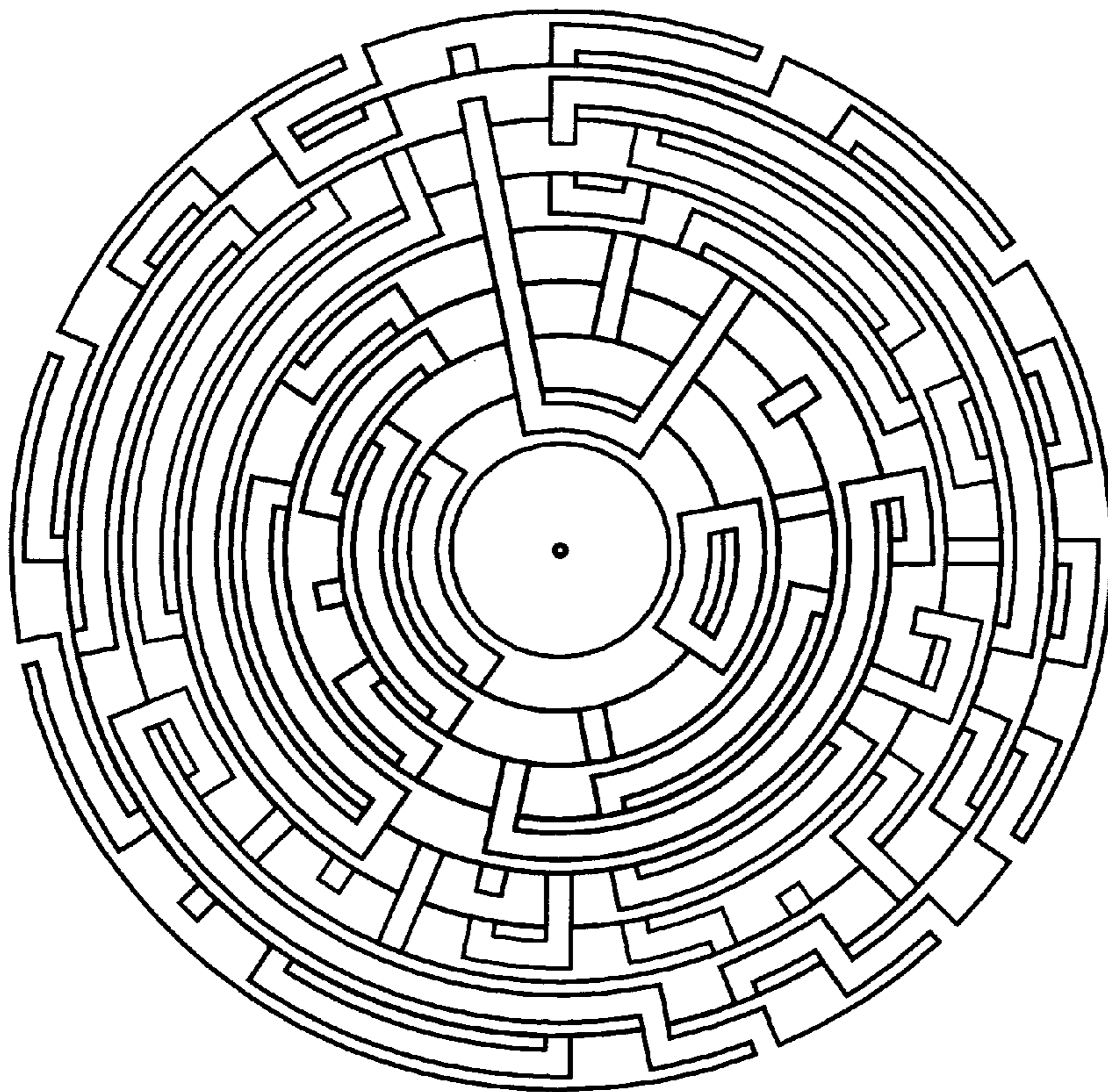


FIG. 2

FIG. 3



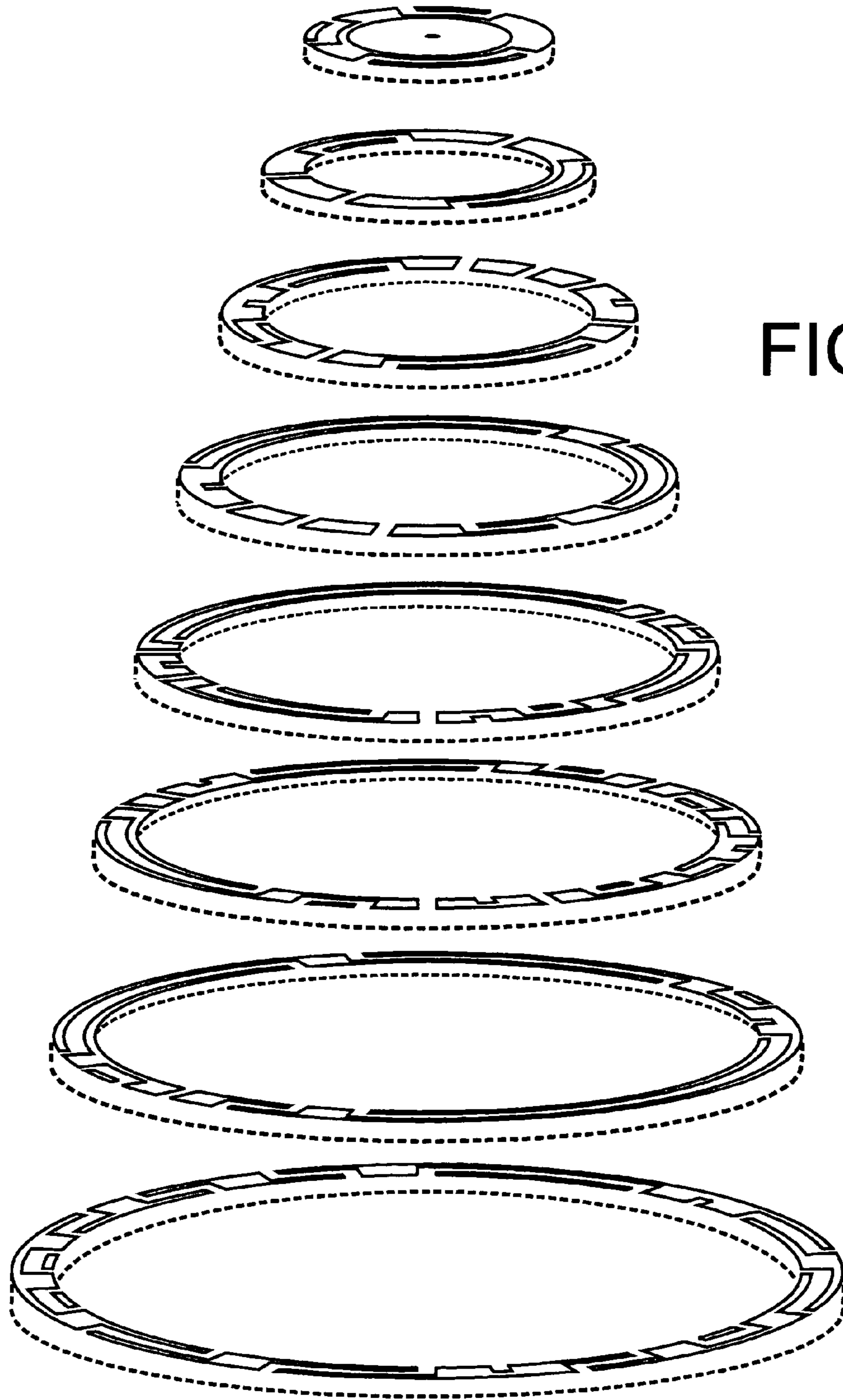


FIG. 4