



US00D701570S

(12) **United States Design Patent**  
**Fletcher et al.**

(10) **Patent No.:** **US D701,570 S**  
(45) **Date of Patent:** **\*\* Mar. 25, 2014**

(54) **INTERACTIVE DISPLAY DEVICE**  
(75) Inventors: **Mark Fletcher**, Ottawa (CA); **Phillip Benson**, Calgary (CA); **Alan Boykiw**, Calgary (CA); **Carolyn Evans**, Calgary (CA); **Kevin Salt**, Calgary (CA)  
(73) Assignee: **SMART Technologies ULC (CA)**  
(\*\*) Term: **14 Years**  
(21) Appl. No.: **29/413,403**  
(22) Filed: **Feb. 15, 2012**  
(51) **LOC (10) Cl.** ..... **19-06**  
(52) **U.S. Cl.**  
USPC ..... **D19/113**  
(58) **Field of Classification Search**  
USPC ..... D6/300, 306, 310; D14/128, 336, 371, D14/374; D19/52; D20/10, 27, 39, 40; 40/581, 584, 611.01, 611.06; 312/230; 434/408, 410, 415  
See application file for complete search history.

D617,834 S \* 6/2010 Vasconcelos ..... D19/52  
7,733,529 B2 \* 6/2010 Nishiie ..... 358/1.9  
D620,007 S \* 7/2010 Jeon et al. .... D14/371  
D626,599 S \* 11/2010 Ogawa et al. .... D20/42  
D657,790 S \* 4/2012 Lee et al. .... D14/374  
D658,176 S \* 4/2012 Lee et al. .... D14/374  
D669,076 S \* 10/2012 Haller ..... D14/374  
D669,534 S \* 10/2012 Nakashima ..... D19/52  
D671,939 S \* 12/2012 Chung ..... D14/374  
D671,940 S \* 12/2012 Kim ..... D14/374  
2002/0166275 A1 \* 11/2002 Broadwell et al. .... 40/606

\* cited by examiner

*Primary Examiner* — Elizabeth Albert

(74) *Attorney, Agent, or Firm* — Katten Muchin Rosenman LLP

(57) **CLAIM**

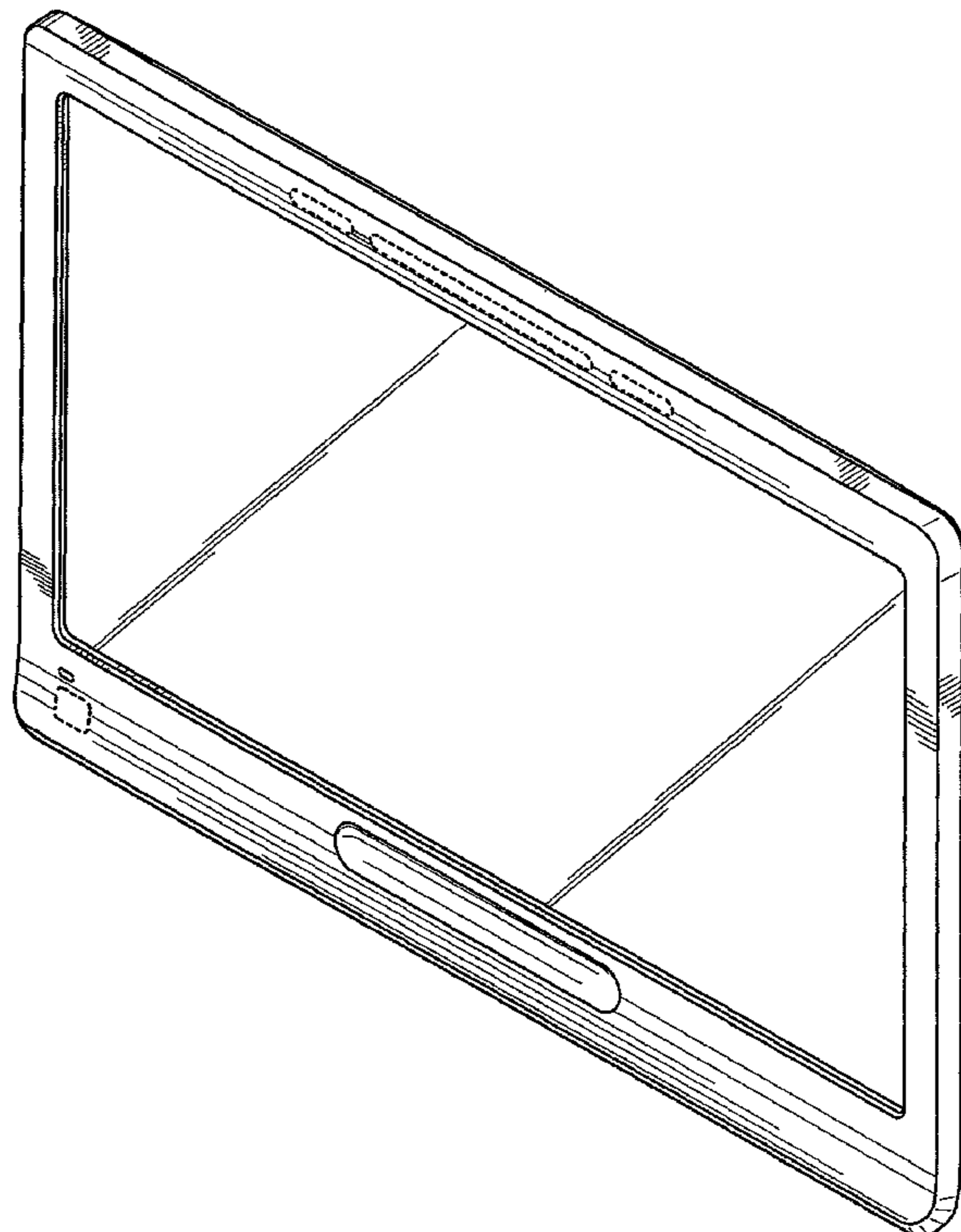
The ornamental design for a interactive display device, as shown and described.

**DESCRIPTION**

FIG. 1 is a front perspective view of the interactive display device showing our new design;  
FIG. 2 is front view of FIG. 1;  
FIG. 3 is a back view of FIG. 1;  
FIG. 4 is a left side view of FIG. 1;  
FIG. 5 is a right side view of FIG. 1;  
FIG. 6 is a top plan view of FIG. 1; and,  
FIG. 7 is a bottom plan view of FIG. 1.  
The broken lines showing features on the front and back are included for the purpose of showing portions that form no part of the claimed design.

**1 Claim, 5 Drawing Sheets**

(56) **References Cited**  
U.S. PATENT DOCUMENTS  
4,648,189 A \* 3/1987 Michel ..... 40/546  
D343,865 S \* 2/1994 Pohl ..... D19/78  
5,527,568 A \* 6/1996 Boone et al. .... 428/14  
D443,655 S \* 6/2001 Chaikel et al. .... D20/27  
D496,068 S \* 9/2004 Mandel ..... D19/36  
D507,302 S \* 7/2005 Chen et al. .... D19/52  
D593,156 S \* 5/2009 Vasconcelos ..... D19/52



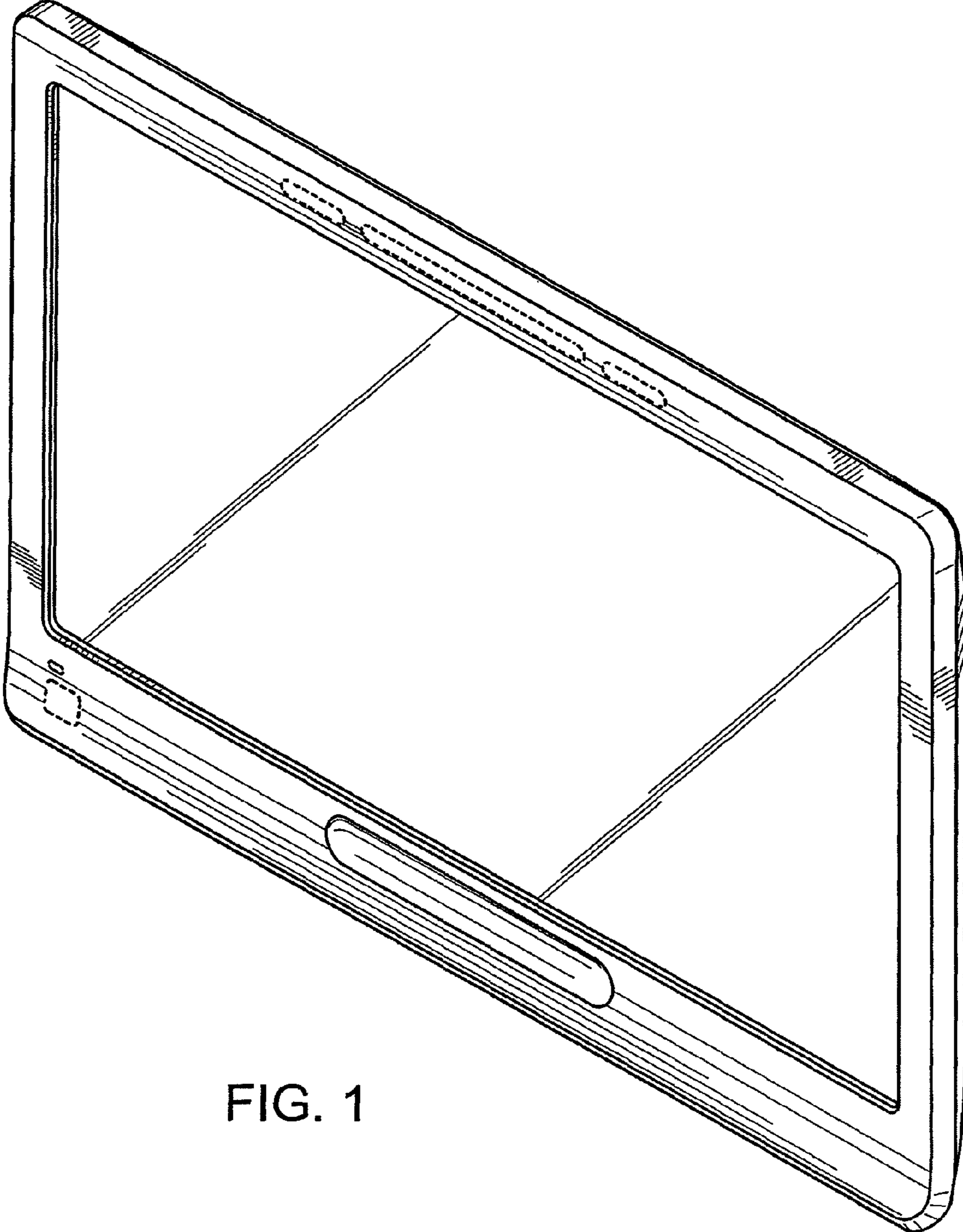


FIG. 1

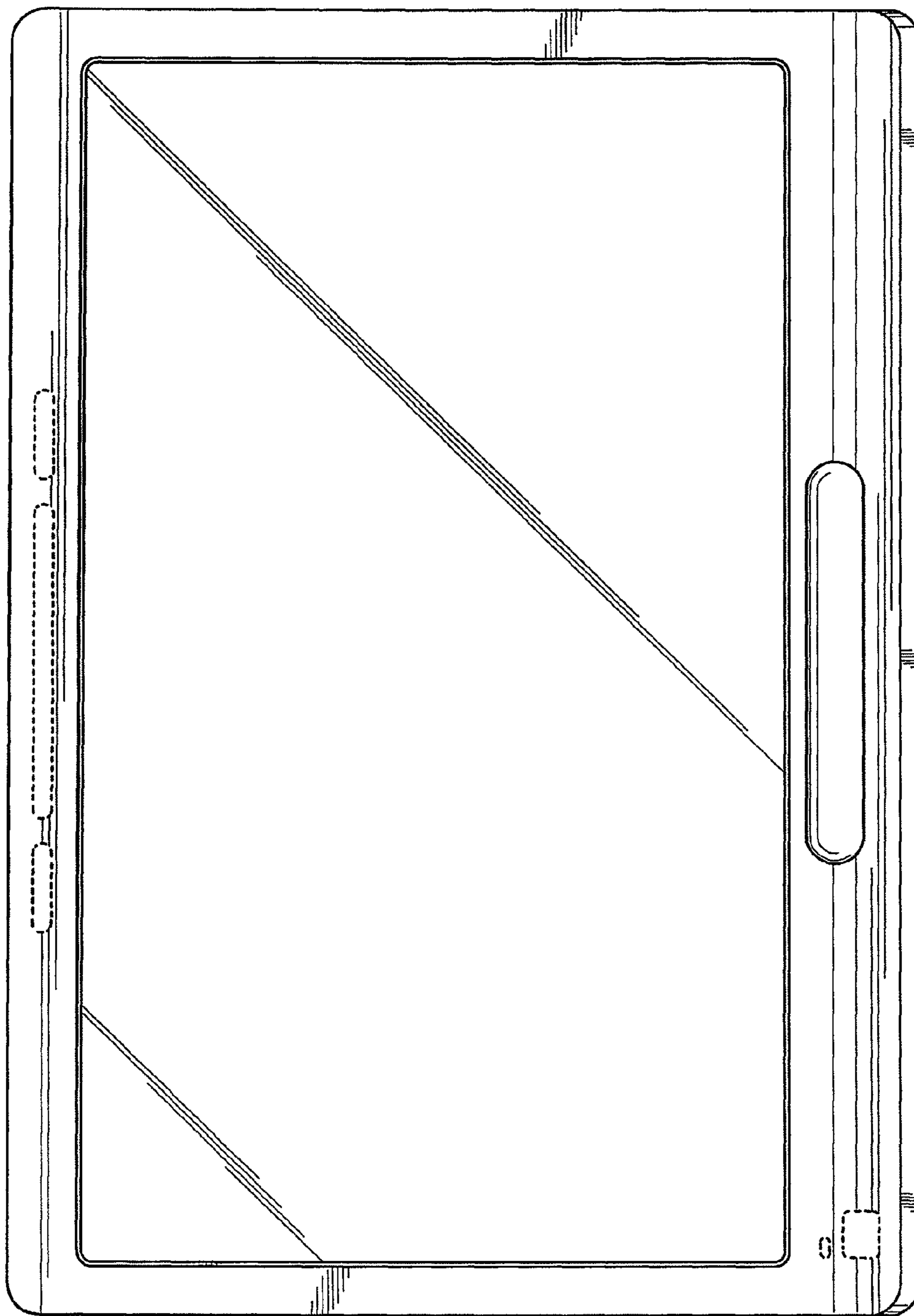


FIG. 2

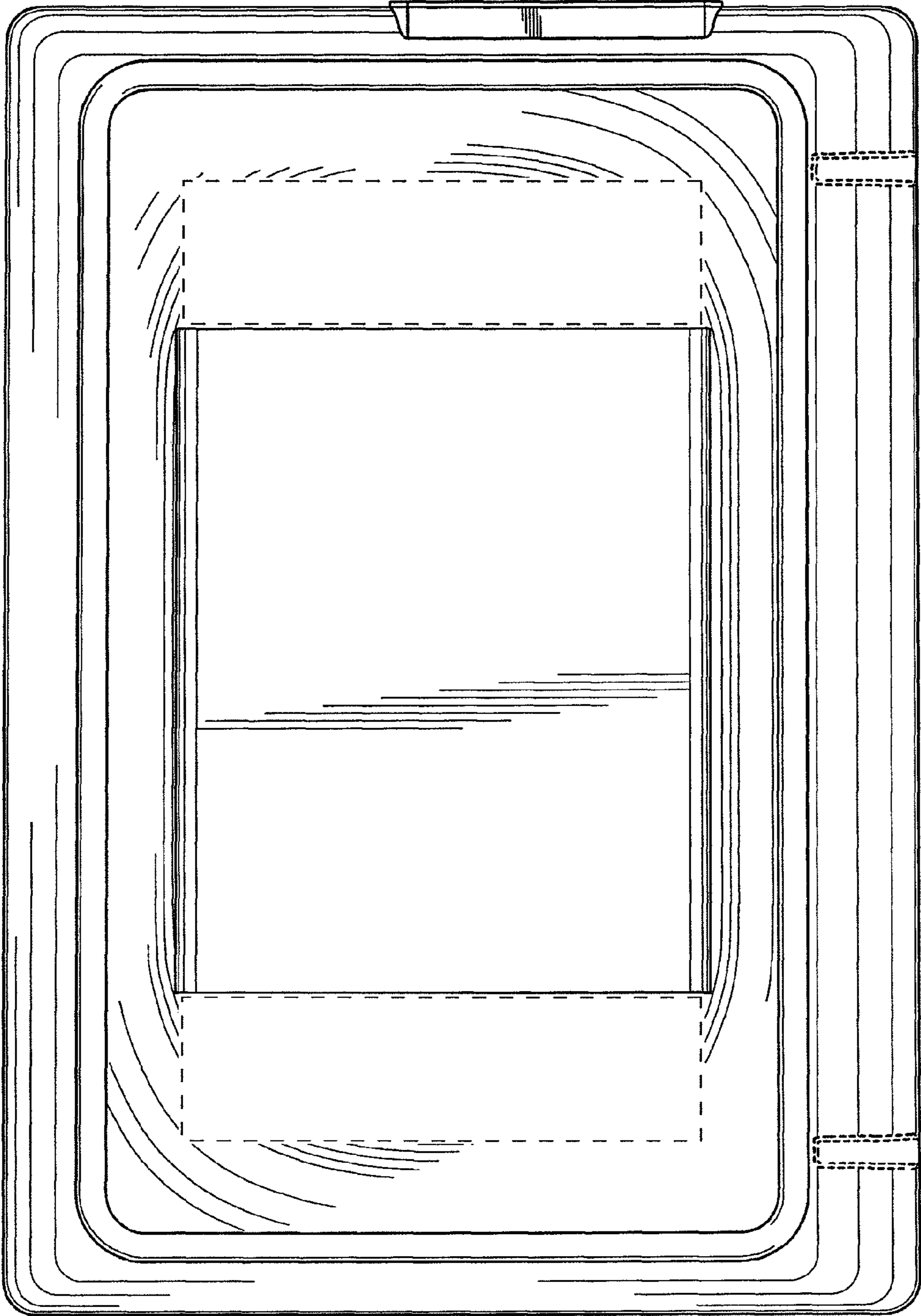


FIG. 3

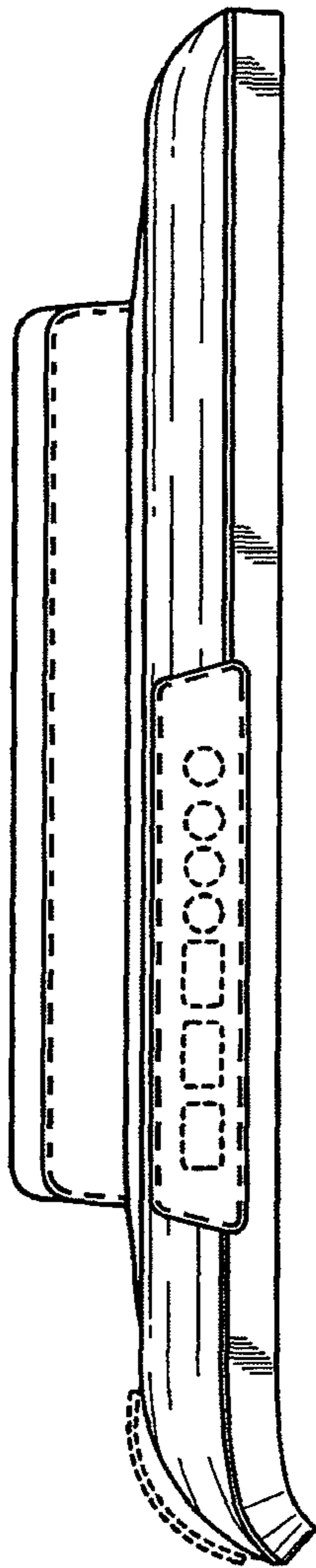


FIG. 4

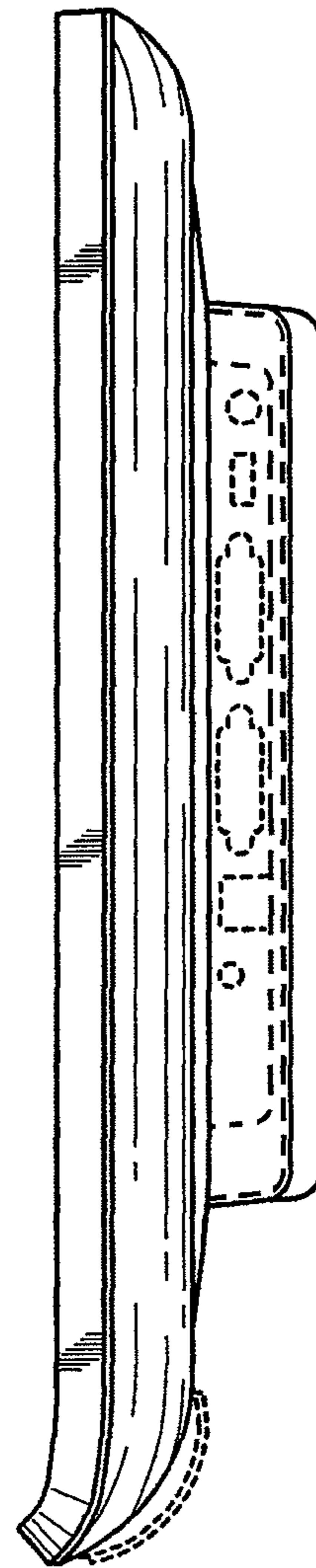


FIG. 5

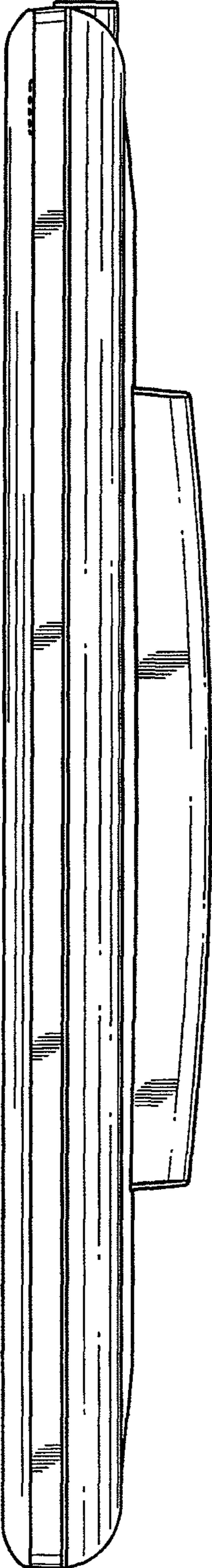


FIG. 6

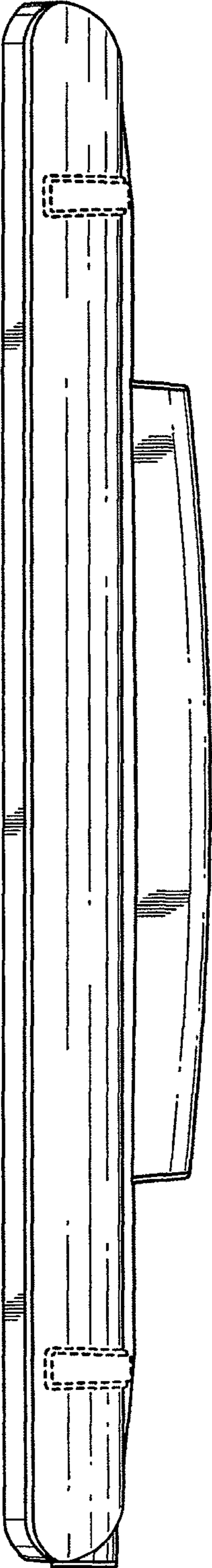


FIG. 7