



US00D701568S

(12) **United States Design Patent**  
**Lincoln**

(10) **Patent No.:** **US D701,568 S**  
(45) **Date of Patent:** **\*\* Mar. 25, 2014**

(54) **PENCIL HOLDER**

(71) Applicant: **Ralph L. Lincoln**, Warrenton, MO (US)

(72) Inventor: **Ralph L. Lincoln**, Warrenton, MO (US)

(\*\*) Term: **14 Years**

(21) Appl. No.: **29/464,730**

(22) Filed: **Aug. 20, 2013**

(51) **LOC (10) Cl.** ..... **19-06**

(52) **U.S. Cl.**  
USPC ..... **D19/85**

(58) **Field of Classification Search**

USPC ..... D3/206, 207, 310, 313; D6/672, 682.1,  
D6/682.2, 521; D7/701-708; D19/75,  
D19/77-85, 91, 94, 97, 99, 100, 135;  
24/3.6, 3.7; 206/214, 224, 371;  
211/69.1-69.9, 70

See application file for complete search history.

(56) **References Cited**

**U.S. PATENT DOCUMENTS**

D74,822 S *	4/1928	Bouy	.....	D6/495
D253,802 S *	1/1980	Loud et al.	.....	D7/708
4,348,989 A *	9/1982	Vik	.....	119/72
D267,062 S *	11/1982	Lentz	.....	D6/521
D284,152 S *	6/1986	Jerhammar	.....	D6/521
D364,943 S *	12/1995	Valentine et al.	.....	D30/133
D585,667 S *	2/2009	Levy et al.	.....	D6/467
D673,821 S *	1/2013	Weber et al.	.....	D7/701

\* cited by examiner

*Primary Examiner* — Elizabeth Albert

(74) *Attorney, Agent, or Firm* — Kevin L. Klug

(57) **CLAIM**

The ornamental design for a pencil holder, as shown and described.

**DESCRIPTION**

FIG. 1 is a front top right perspective view of a pencil holder, each of a front top left perspective view, a rear top right perspective view, and a rear top left perspective view being a mirror image;

FIG. 2 is a front bottom right perspective view thereof, each of a front bottom left perspective view, a rear bottom right perspective view, and a rear bottom left perspective view being a mirror image;

FIG. 3 is a top plan view thereof;

FIG. 4 is a right side elevation view thereof, each of a left side elevation view, a front side elevation view, and a rear side elevation view being a mirror image;

FIG. 5 is a bottom plan view thereof;

FIG. 6 is an enlarged scale right side elevation view of the base of FIG. 4 thereof, the dashed lines representing cut lines and form no part of the design;

FIG. 7 is a front top right perspective view of the pencil holder within the environmental structure of pencils placed within. The broken lines showing the pencils are for the purpose of illustrating the environmental structure and form no part of the claimed design;

FIG. 8 is a bottom plan view thereof with the base rotated slightly counterclockwise.

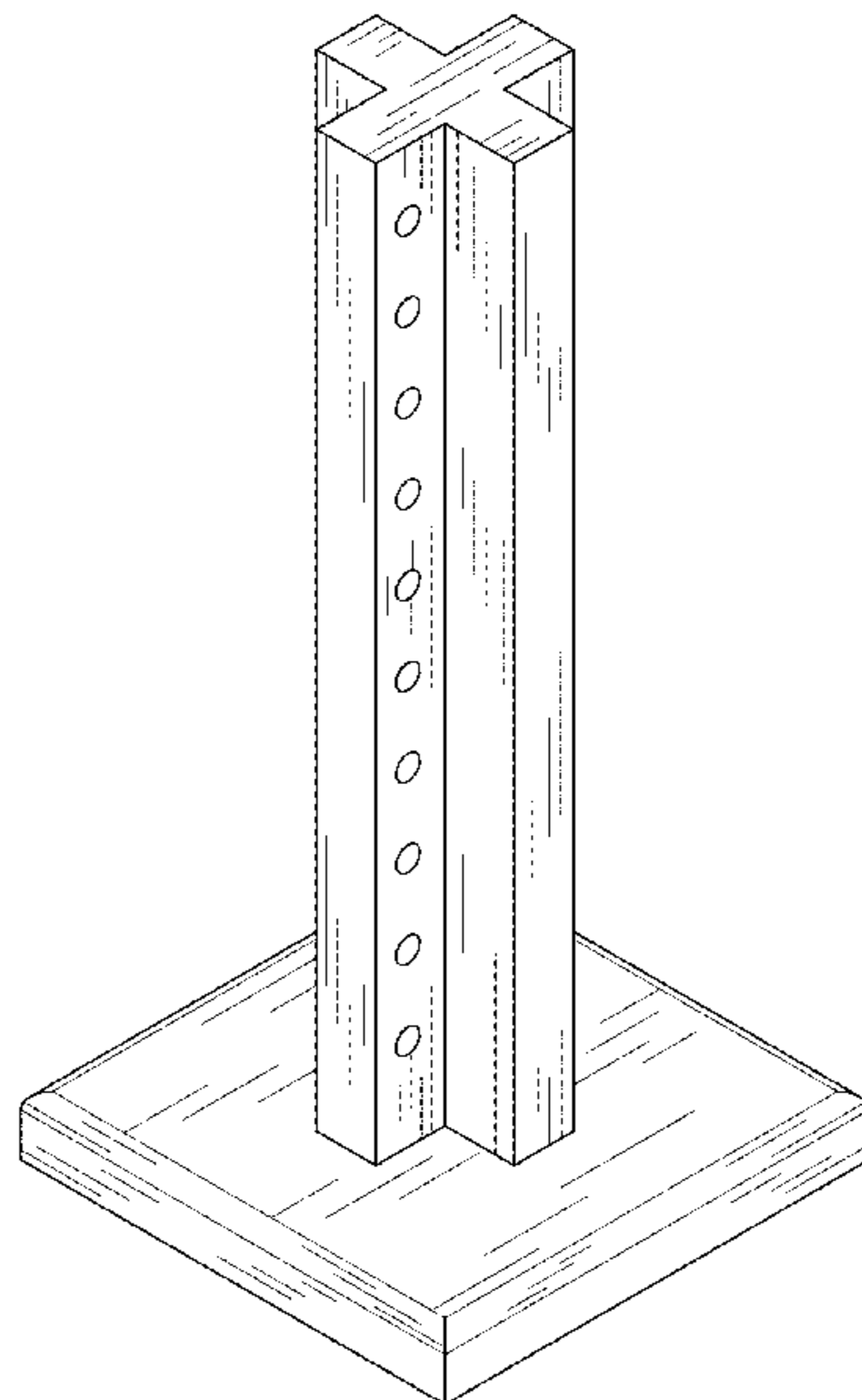
FIG. 9 is a bottom plan view thereof with the base rotated slightly clockwise.

FIG. 10 is an enlarged scale bottom right side perspective view of the base only thereof;

FIG. 11 is a bottom right perspective view of the pencil holder; and,

FIG. 12 is a bottom plan view thereof with the base rotated square within its mounting recess.

**1 Claim, 11 Drawing Sheets**



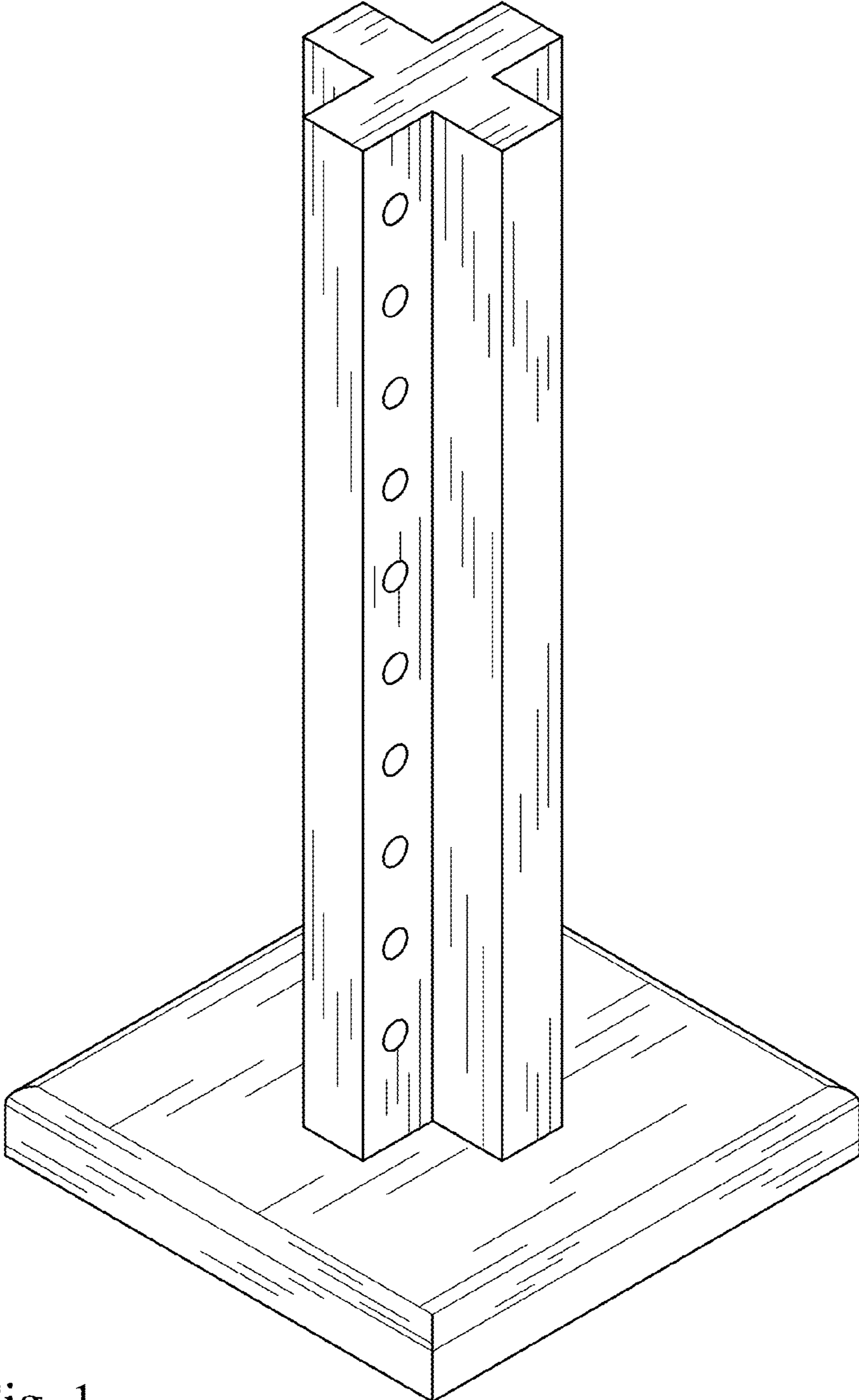


Fig. 1

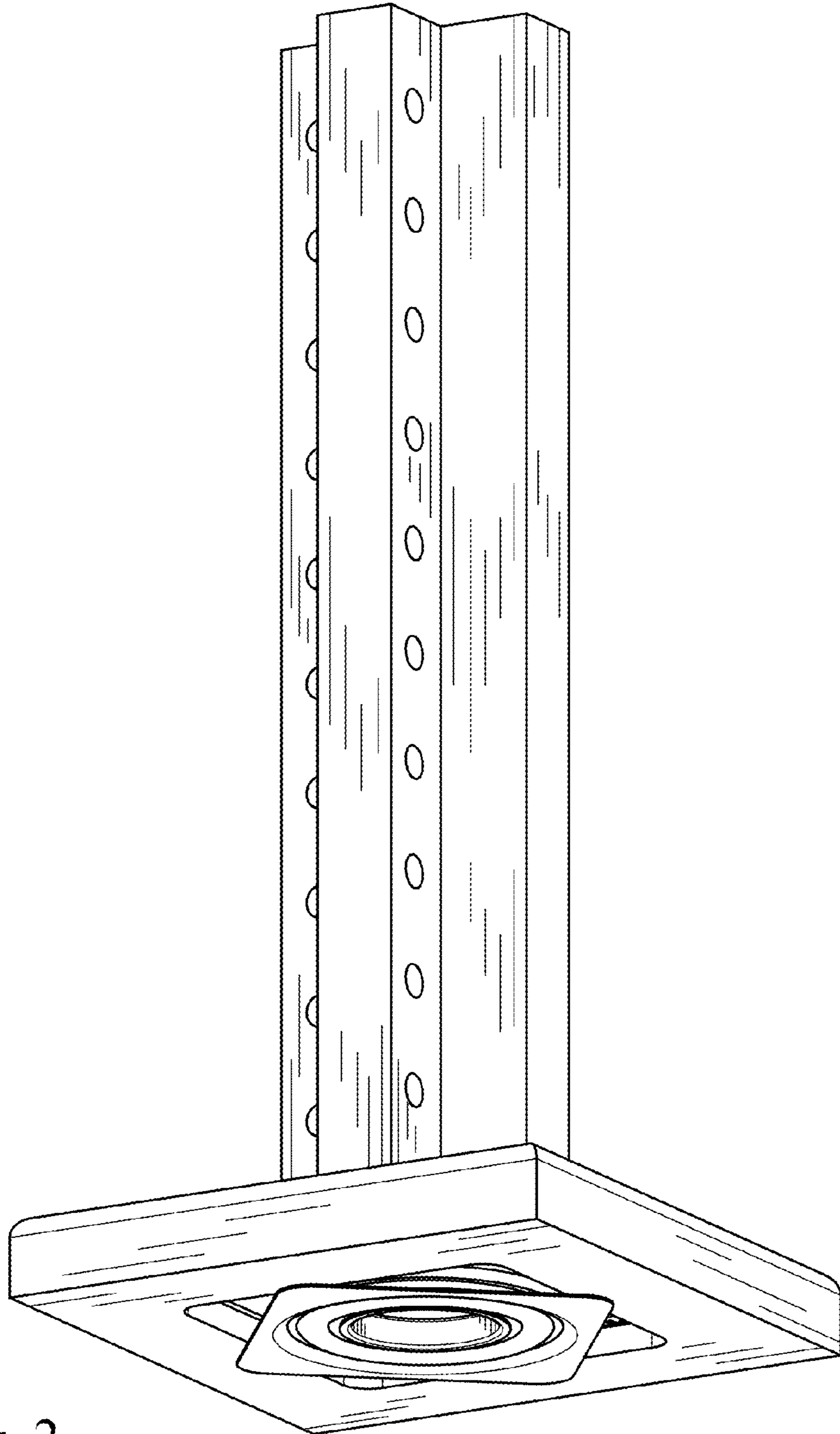


Fig. 2

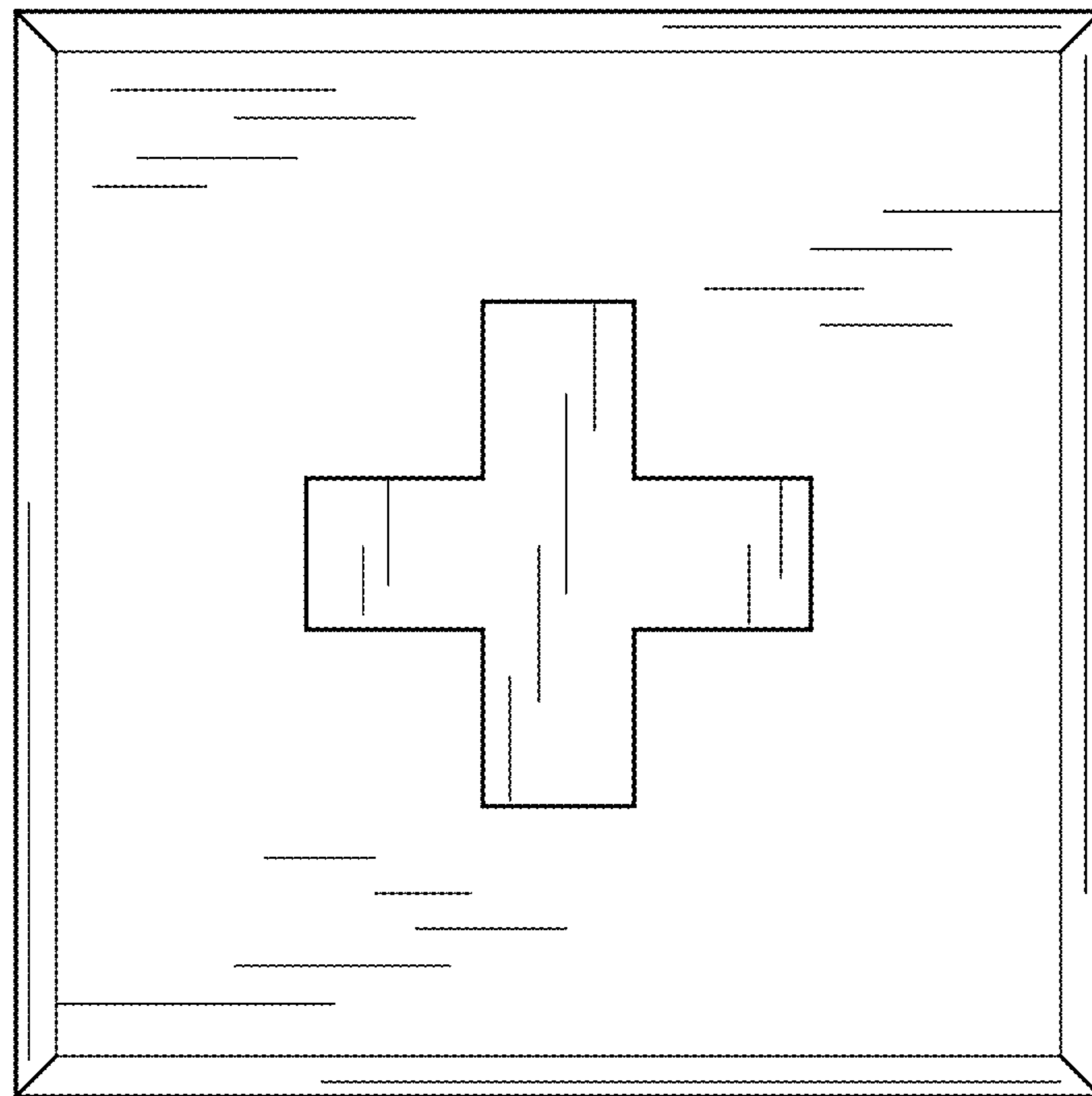


Fig. 3

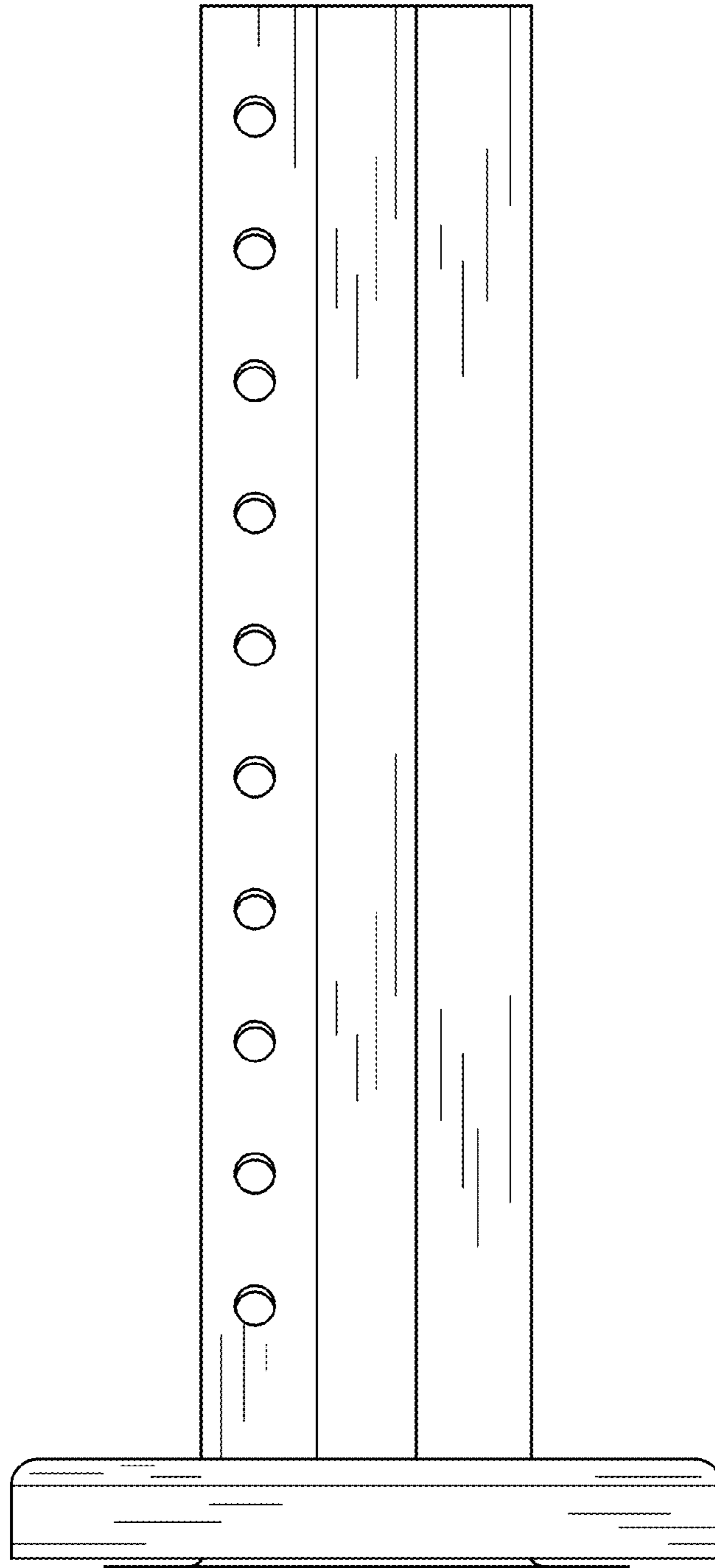


Fig. 4

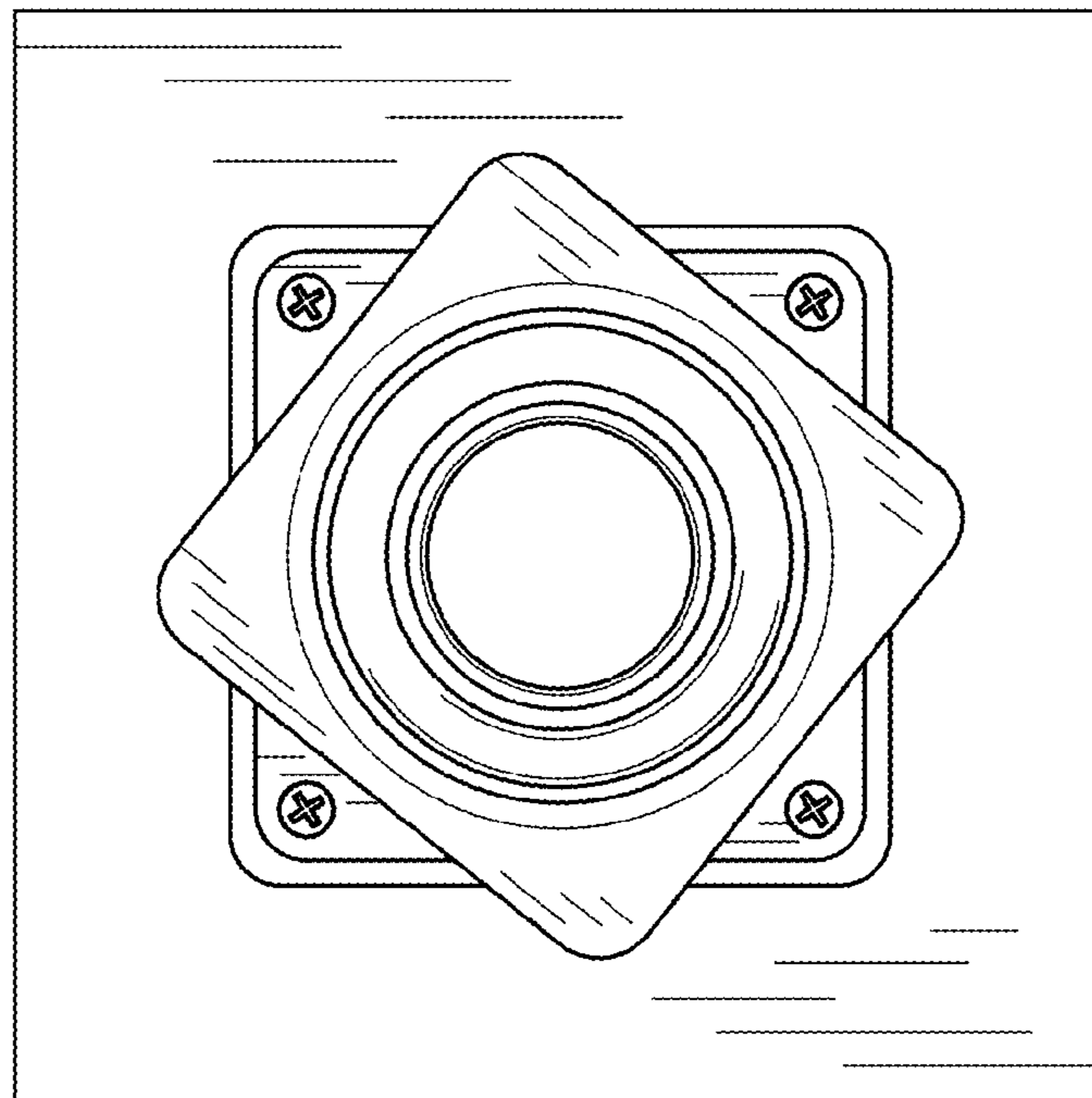


Fig. 5

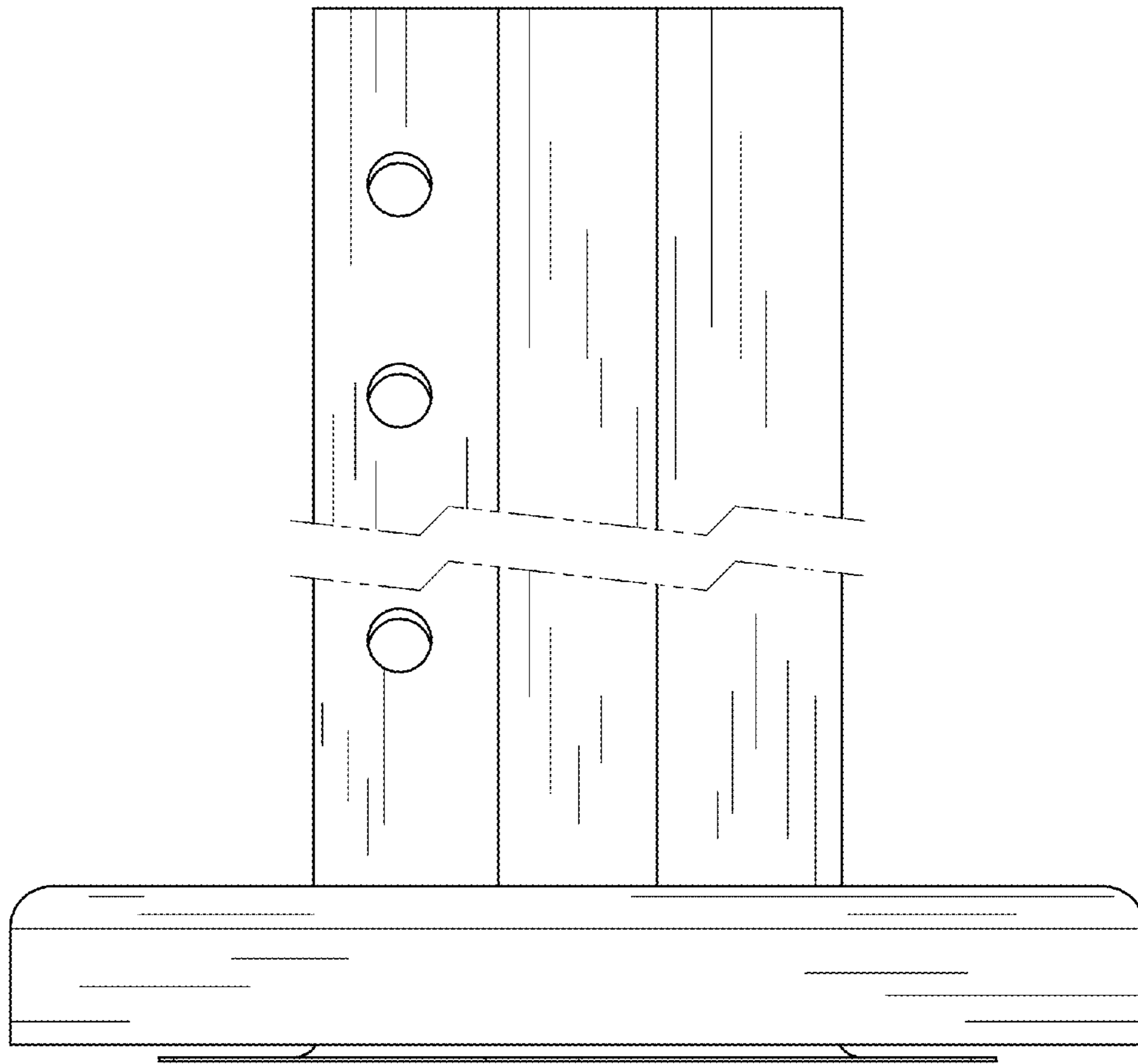


Fig. 6

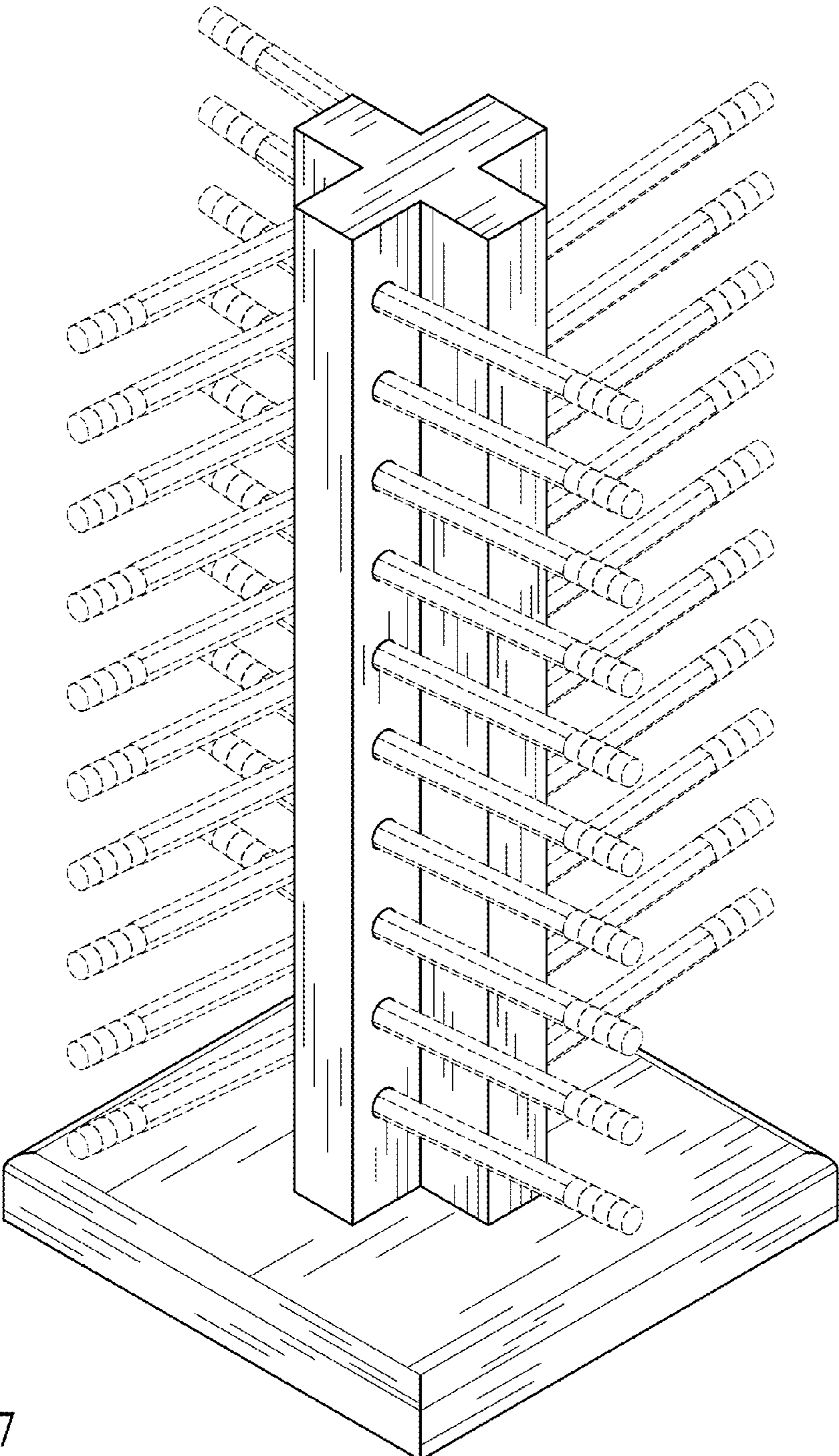


Fig. 7



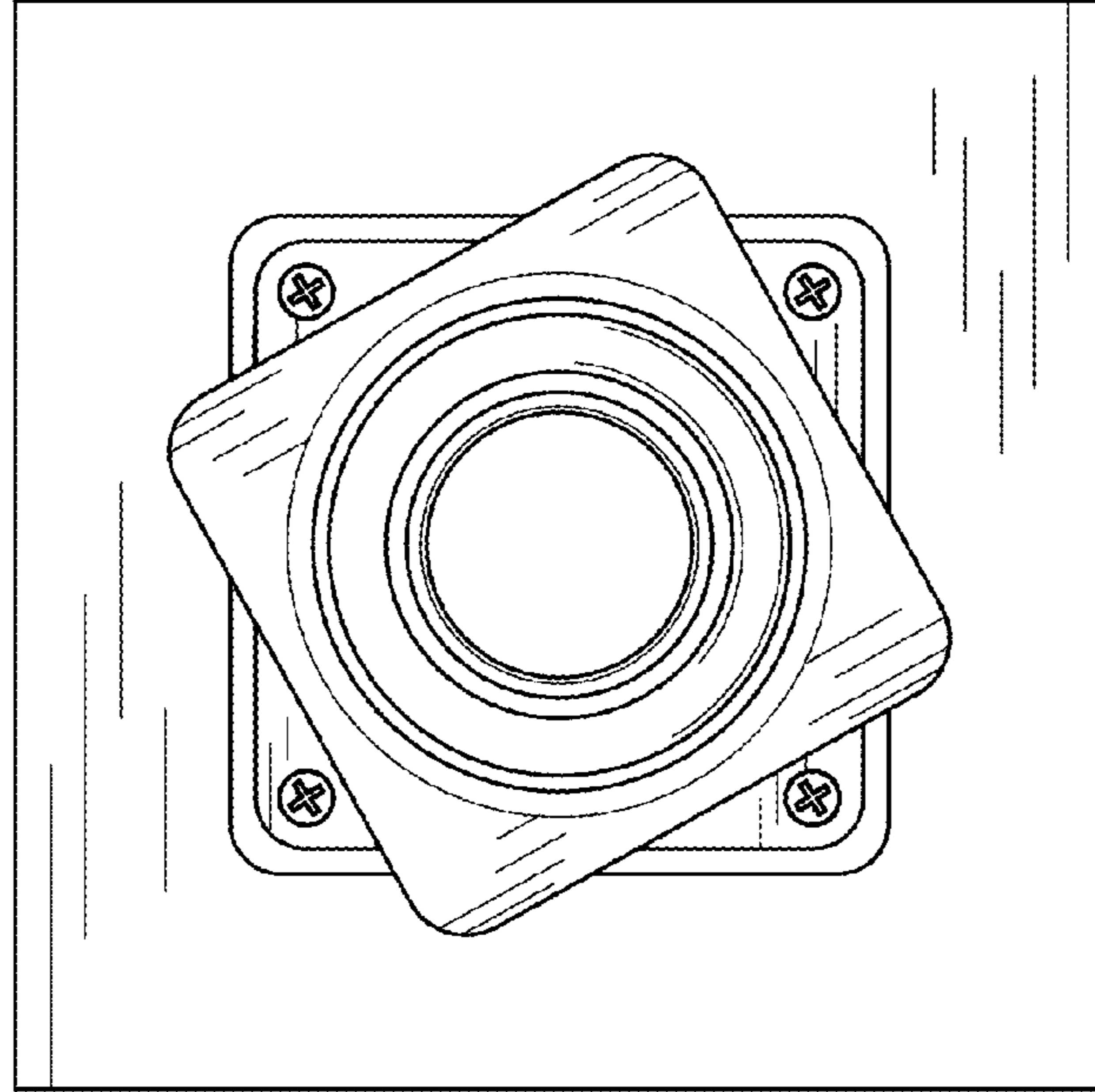


Fig. 9

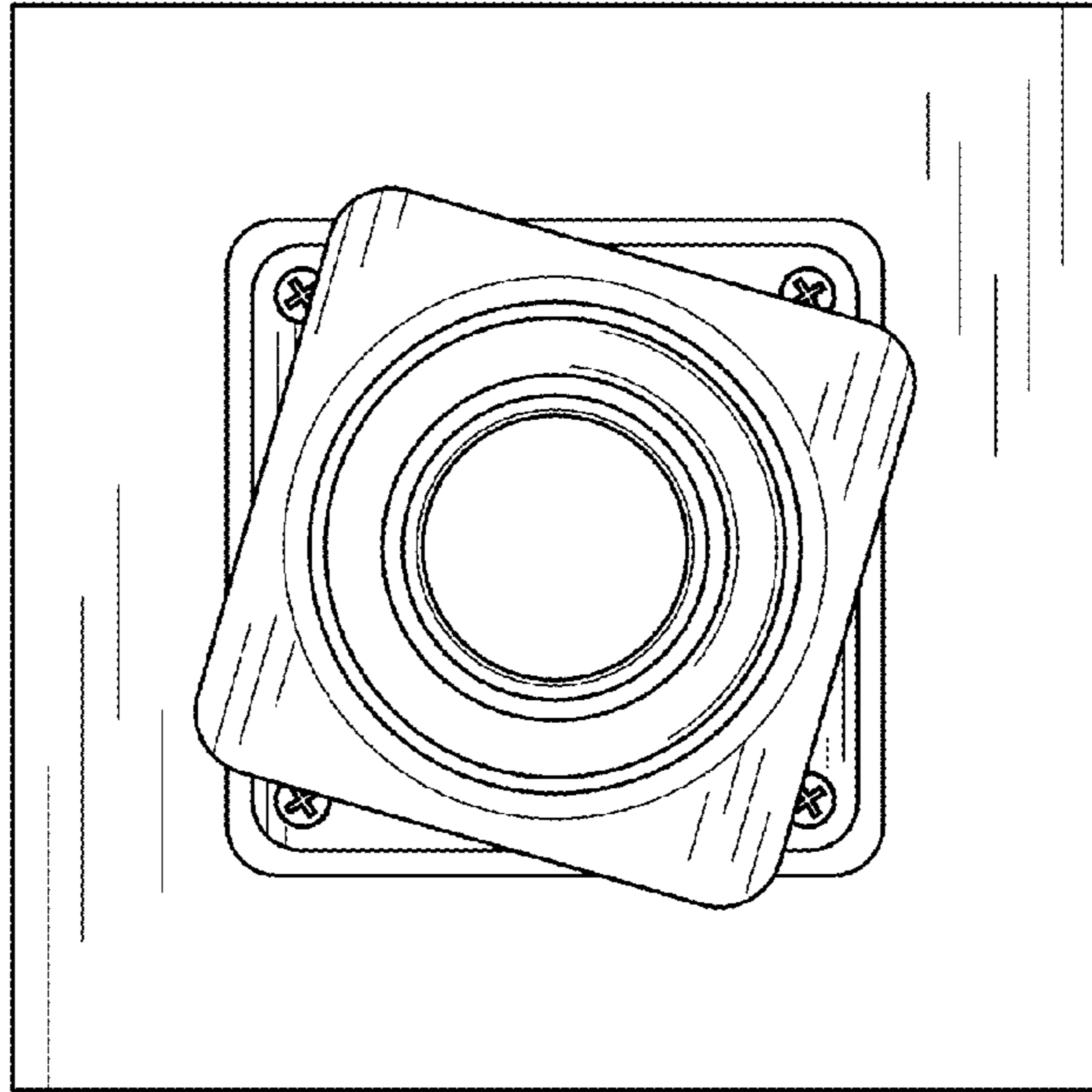


Fig. 8

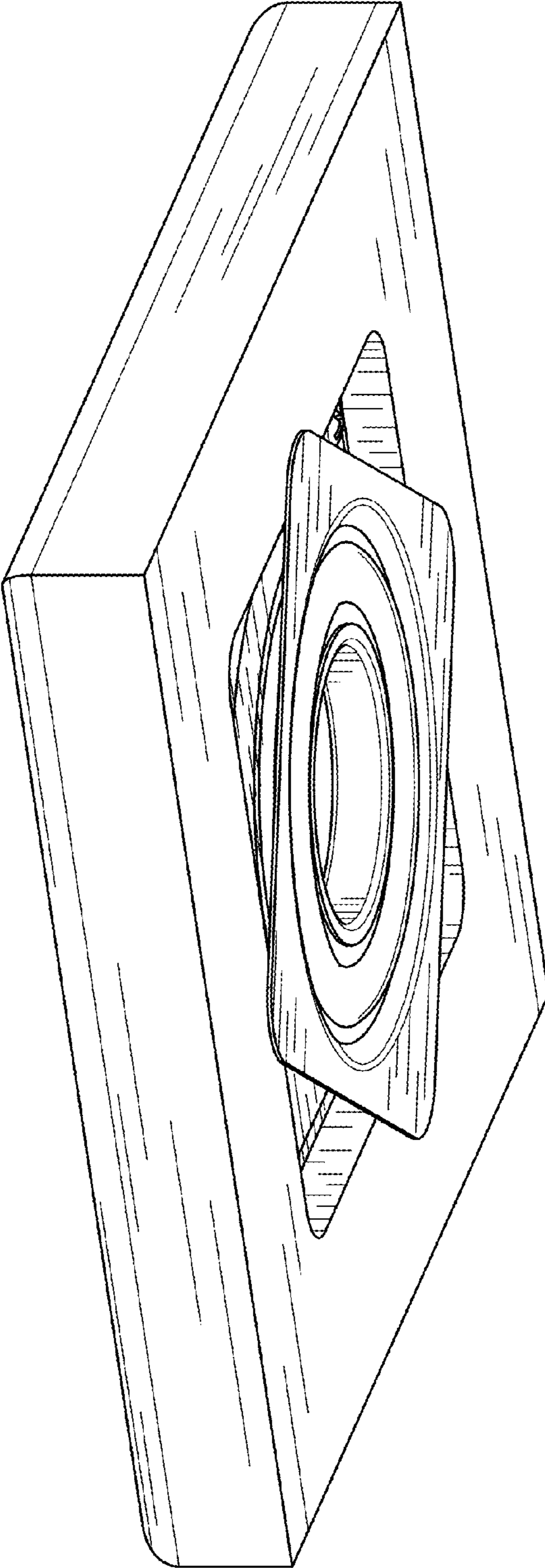


Fig. 10

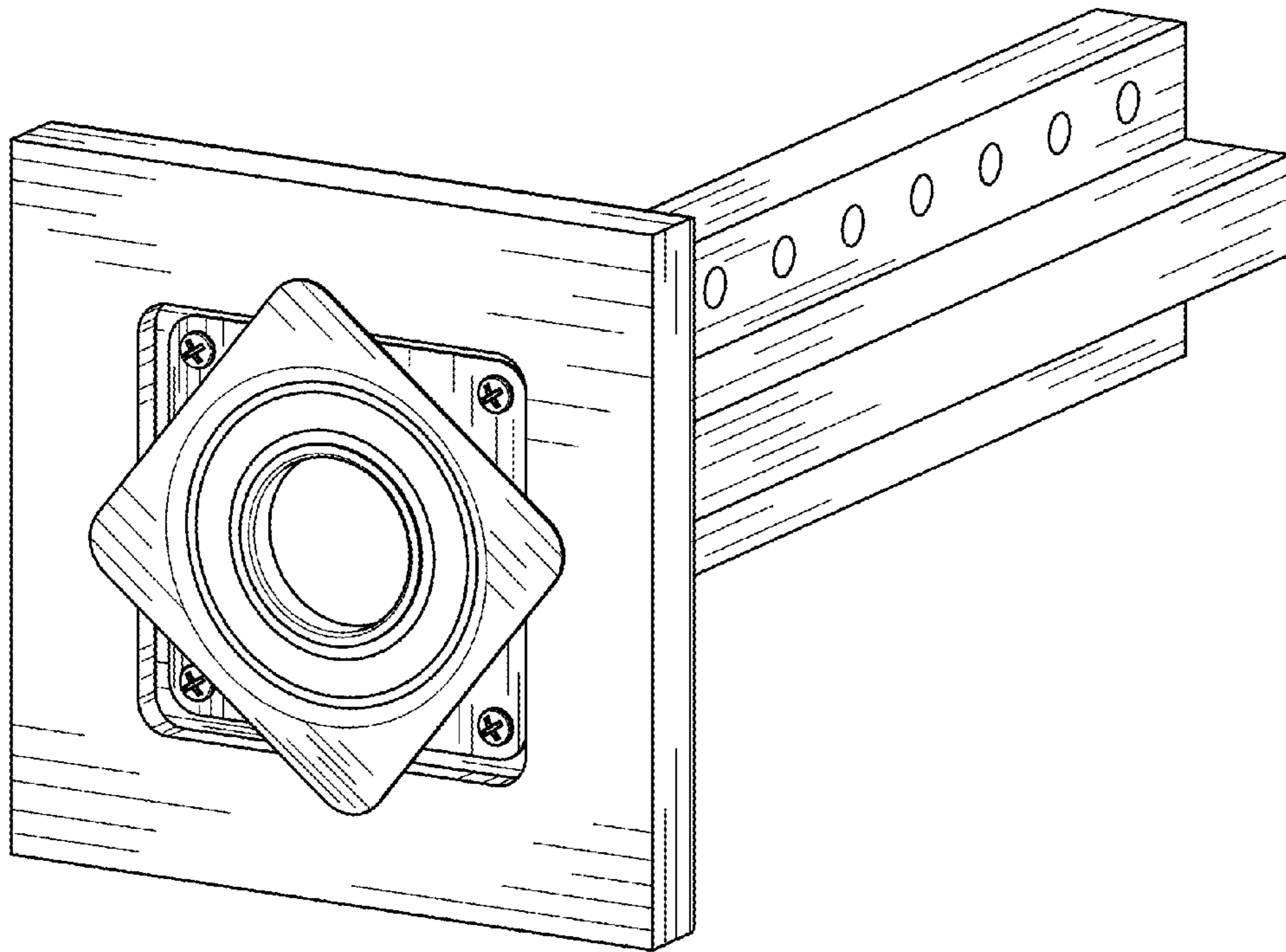


Fig. 11

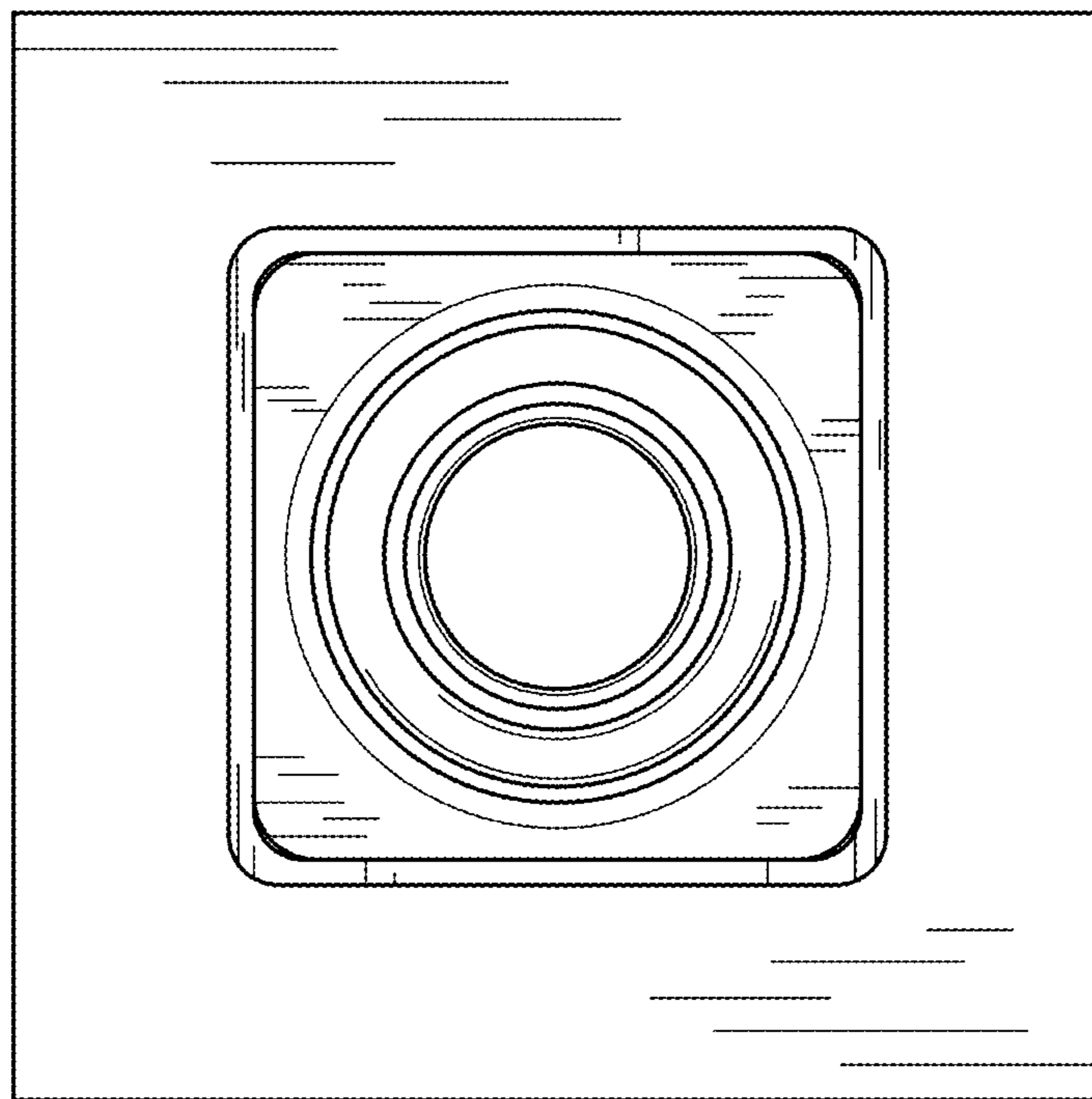


Fig. 12