



US00D701567S

(12) **United States Design Patent**  
**Abdullah**

(10) **Patent No.:** **US D701,567 S**  
(45) **Date of Patent:** **\*\* Mar. 25, 2014**

(54) **MULTI-COMPARTMENT CONTAINER**  
(76) Inventor: **Adel M. A. Abdullah, Al-Romitheya**  
(KW)  
(\*\*) Term: **14 Years**  
(21) Appl. No.: **29/425,860**  
(22) Filed: **Jun. 27, 2012**  
(51) **LOC (10) Cl.** ..... **19-02**  
(52) **U.S. Cl.**  
USPC ..... **D19/77**  
(58) **Field of Classification Search**  
USPC ..... D3/273; D7/549, 596, 597, 600.1-701,  
D7/614, 629, 630, 706, 707; D9/424, 428,  
D9/437, 756, 761; D19/75-85; 206/371,  
206/528; 220/23.4  
See application file for complete search history.

D425,790 S \* 5/2000 Rondolino ..... D9/430  
D439,161 S \* 3/2001 Rondolino ..... D9/430  
D494,338 S \* 8/2004 Baumhogger et al. .... D99/34  
D552,487 S \* 10/2007 Chou ..... D9/737  
7,878,337 B2 2/2011 Abdullah  
D637,903 S \* 5/2011 Ghiotti et al. .... D9/428  
D650,862 S 12/2011 Chuang  
D665,675 S \* 8/2012 Wu ..... D9/761  
2007/0138048 A1 6/2007 Coe et al.

\* cited by examiner

*Primary Examiner* — Elizabeth Albert  
(74) *Attorney, Agent, or Firm* — Richard C. Litman

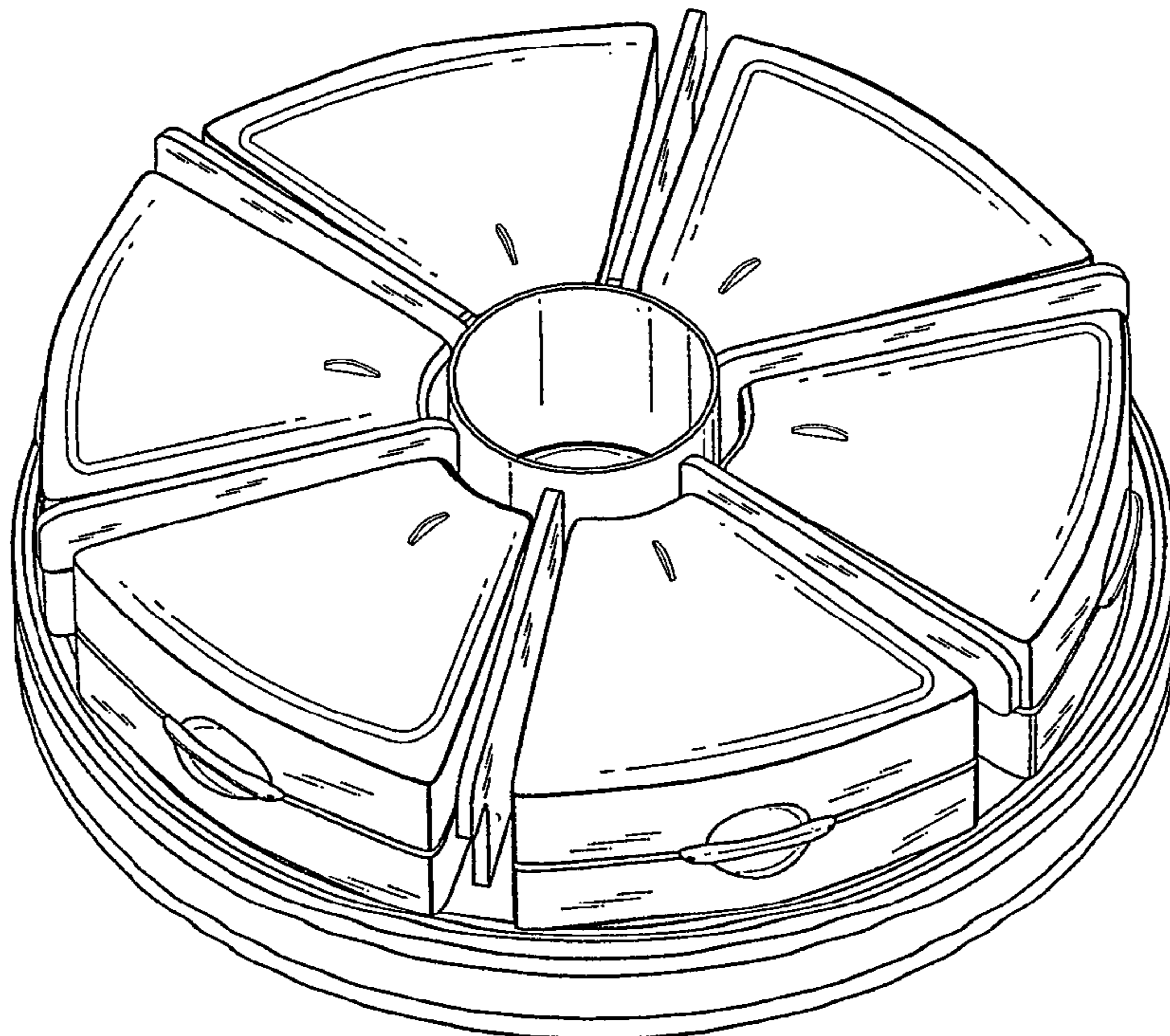
(57) **CLAIM**  
The ornamental design for a multi-compartment container, as shown and described.

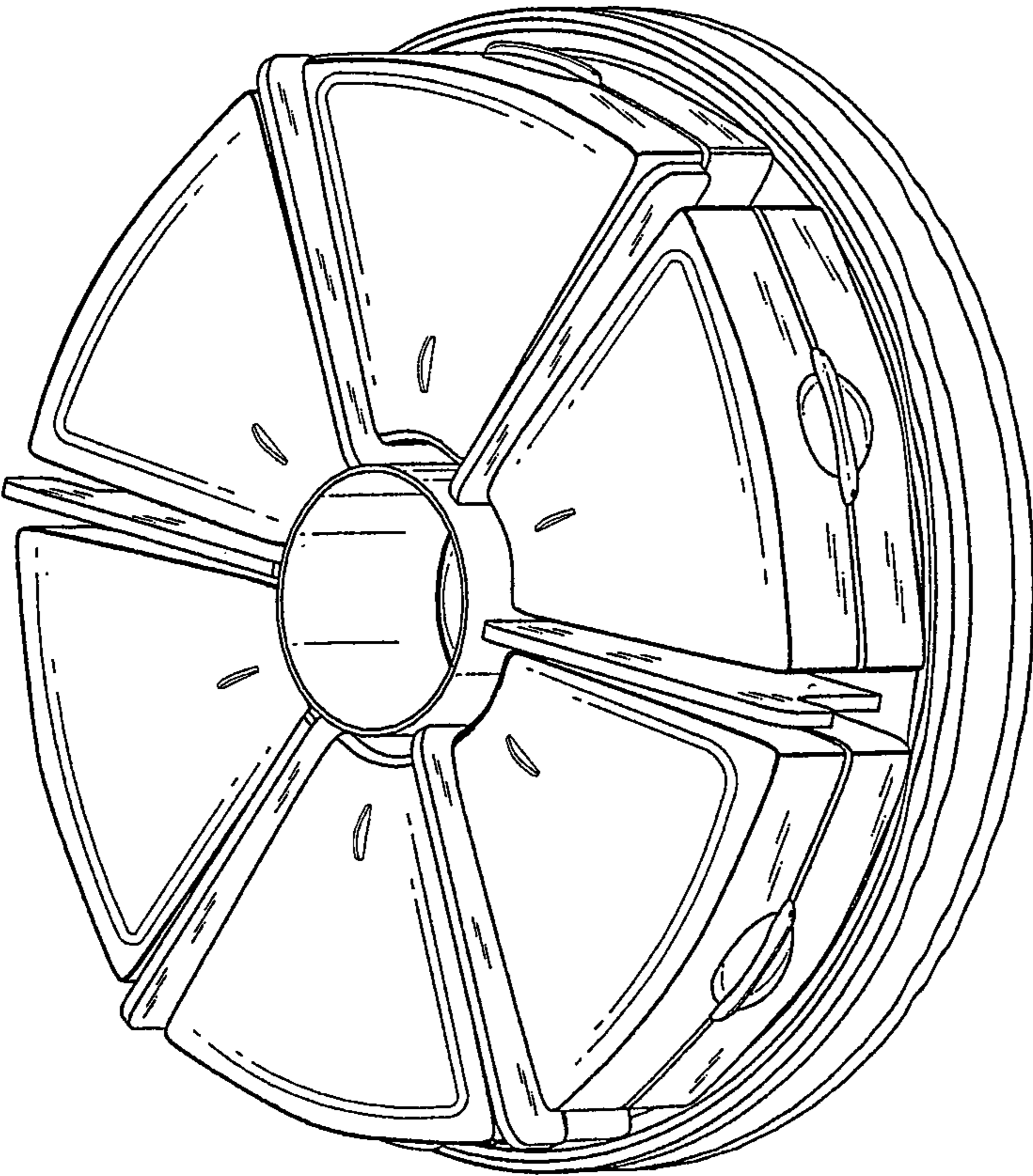
**DESCRIPTION**

FIG. 1 is a perspective view of a multi-compartment container showing my new design;  
FIG. 2 is a front elevational view, with the rear elevational view being a mirror image, thereof;  
FIG. 3 is a right side elevational view, with the left side being a mirror image, thereof;  
FIG. 4 is a bottom view thereof;  
FIG. 5 is a top plan view thereof; and,  
FIG. 6 is a perspective view with one of the compartments in the open position thereof.  
The broken lines showing the handle in FIGS. 2 and 3 are included for the purpose of showing features that form no part of the claimed design.

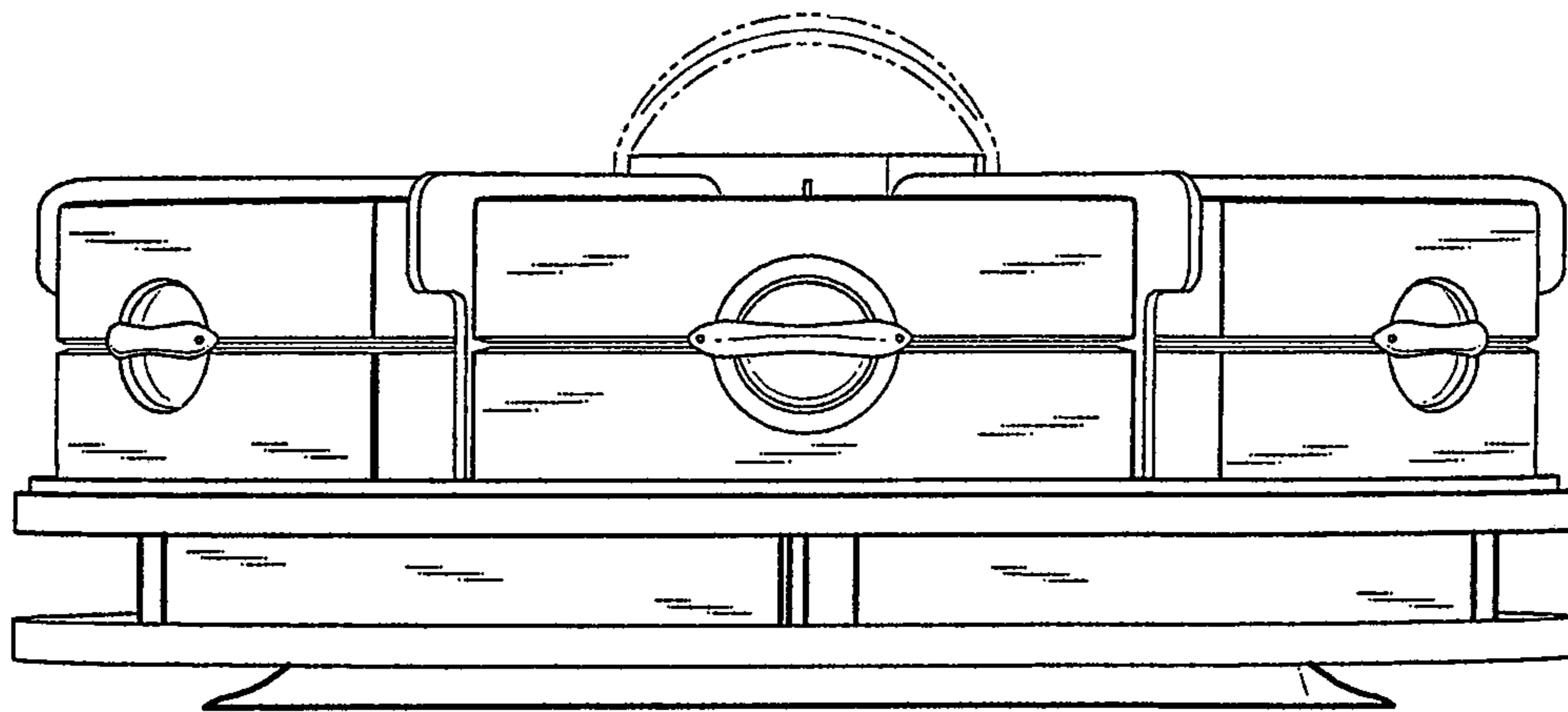
(56) **References Cited**  
U.S. PATENT DOCUMENTS  
D94,099 S \* 12/1934 Scurlock ..... D7/614  
2,207,520 A \* 7/1940 Rhody ..... 206/229  
D156,860 S \* 1/1950 Zaikaner ..... D7/610  
3,385,465 A \* 5/1968 Bliss ..... 220/23.4  
D212,109 S \* 8/1968 Taylor ..... D7/614  
D223,056 S \* 3/1972 Majewski ..... D18/17  
D280,965 S \* 10/1985 Prophet et al. .... D7/614  
4,990,345 A \* 2/1991 Webb ..... 426/123  
D367,291 S \* 2/1996 Winston ..... D18/17  
D370,307 S 5/1996 Chen  
D384,554 S \* 10/1997 Ancona et al. .... D7/505  
D391,808 S \* 3/1998 Voegel ..... D7/629

**1 Claim, 6 Drawing Sheets**

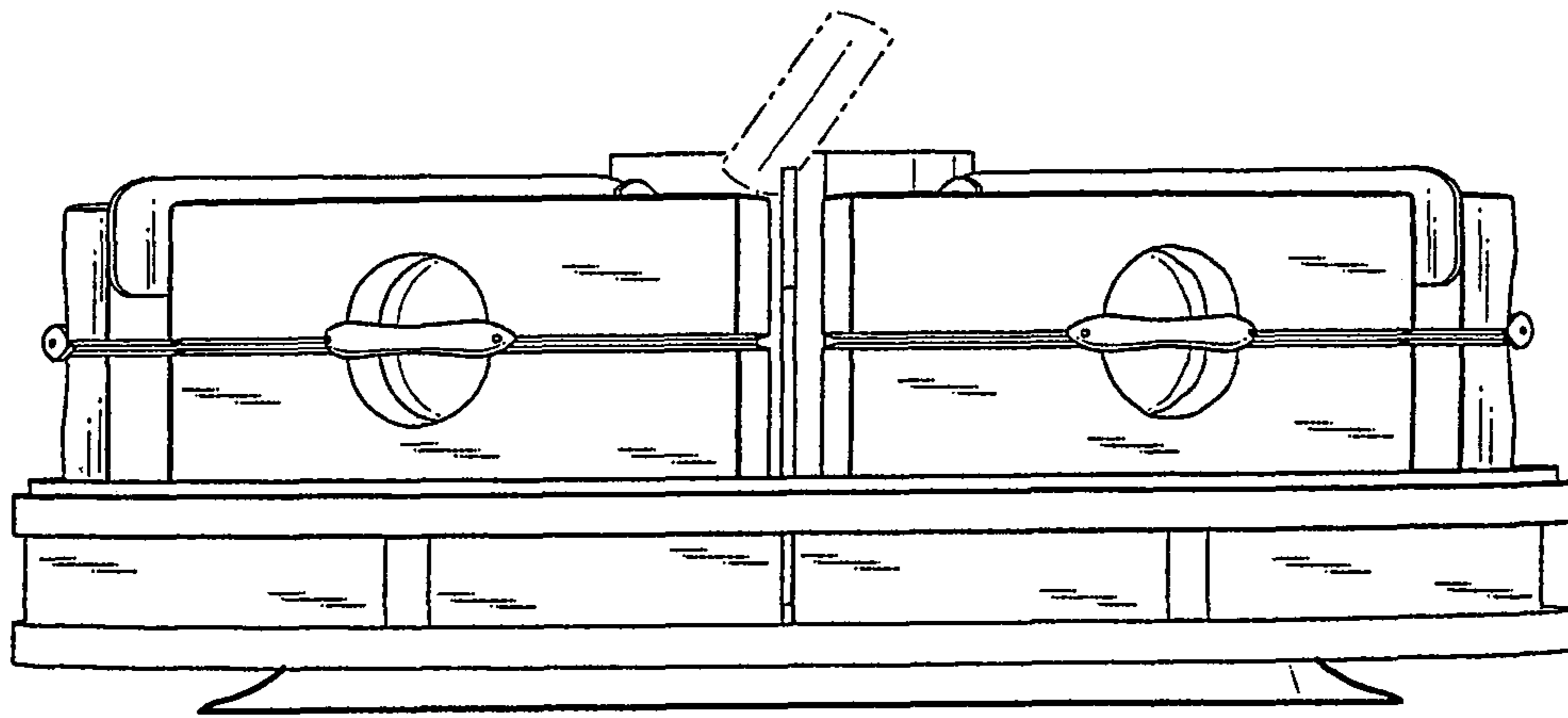




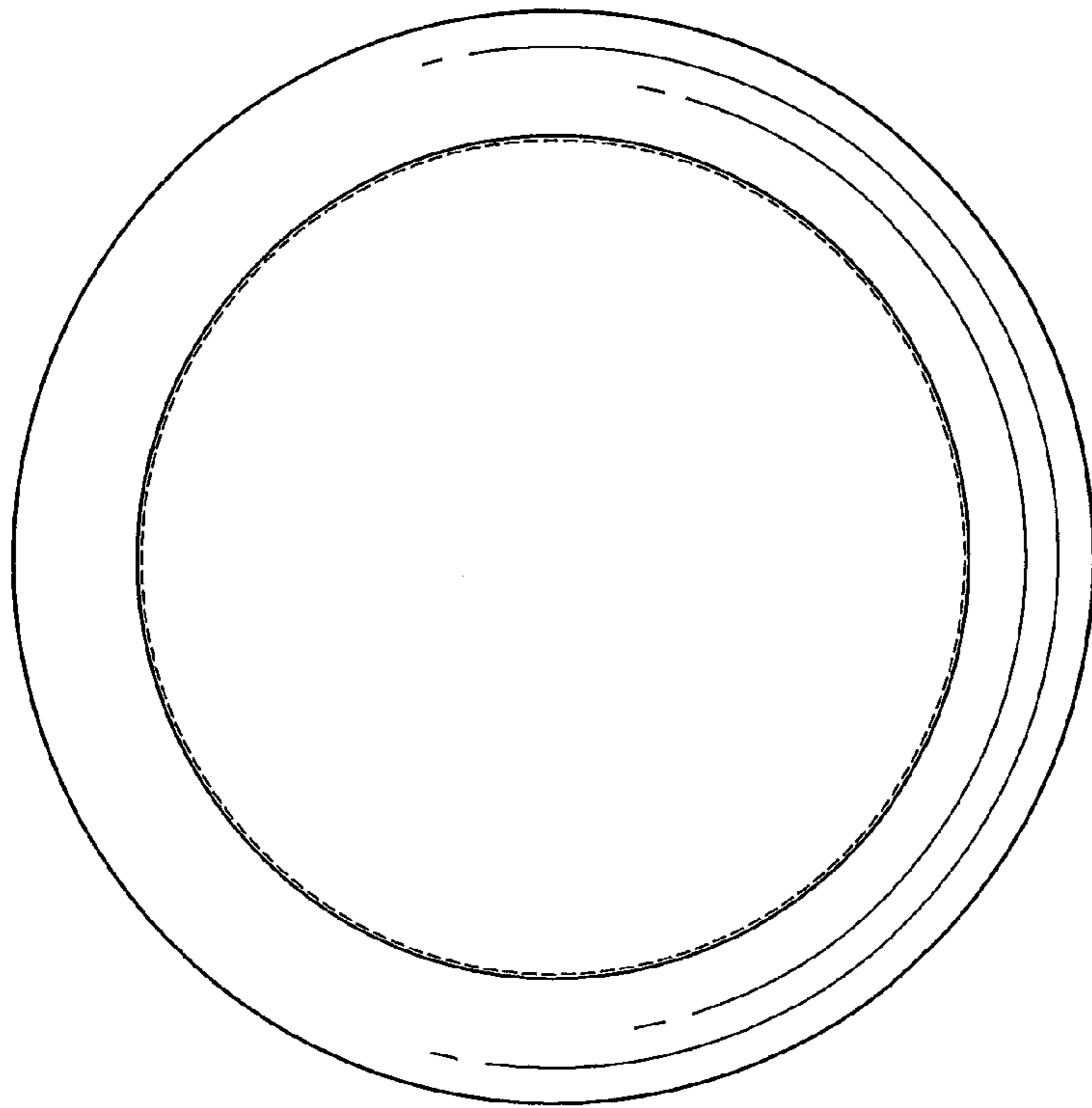
*Fig. 1*



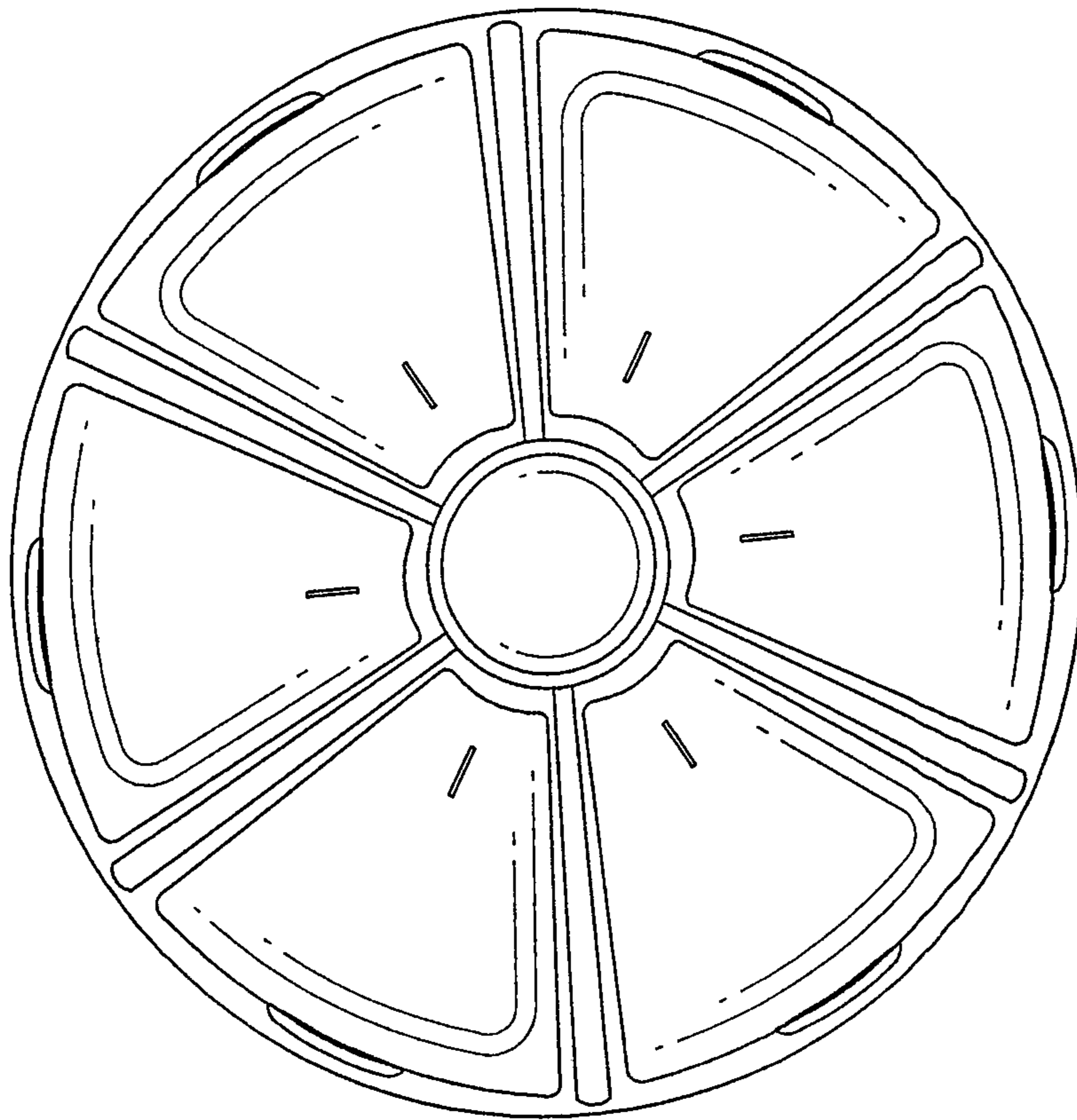
*Fig. 2*



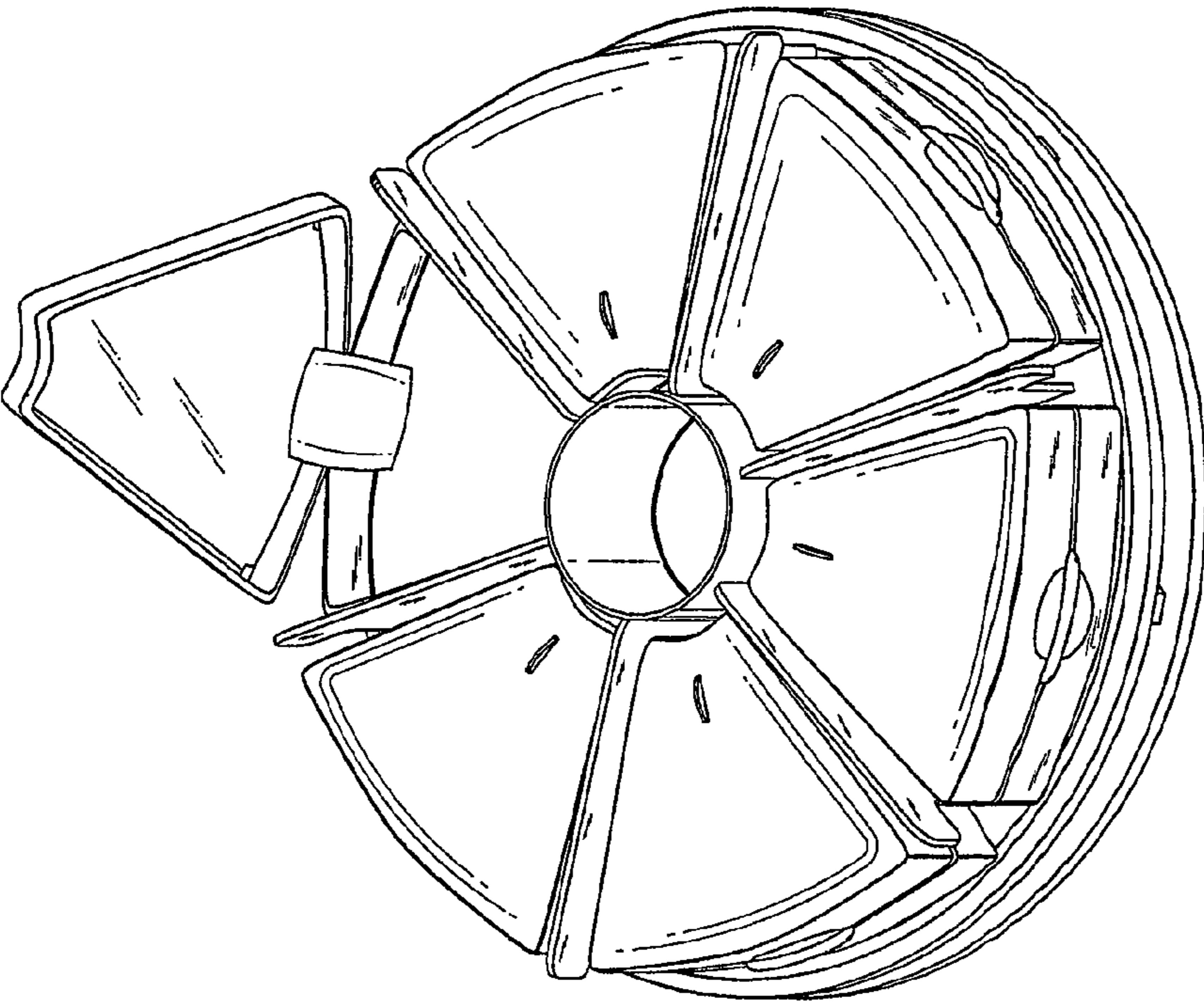
*Fig. 3*



*Fig. 4*



*Fig. 5*



*Fig. 6*