



US00D701565S

(12) **United States Design Patent**
Lin

(10) **Patent No.:** **US D701,565 S**
(45) **Date of Patent:** **** Mar. 25, 2014**

(54) **BINDER CLIP**
(71) Applicant: **Chin-Cheng Lin**, Taichung (TW)
(72) Inventor: **Chin-Cheng Lin**, Taichung (TW)
(**) Term: **14 Years**
(21) Appl. No.: **29/473,928**
(22) Filed: **Nov. 27, 2013**
(51) **LOC (10) Cl.** **19-02**
(52) **U.S. Cl.**
USPC **D19/65**
(58) **Field of Classification Search**
USPC D8/394, 395; D19/65, 86, 88, 99, 100;
24/67 R, 67.3, 67.5, 67.7, 67.9, 67.11,
24/489, 531, 563, 570, DIG. 8, DIG. 9;
40/658, 666
See application file for complete search history.

5,638,583 A * 6/1997 Tseng 24/67.5
5,896,624 A * 4/1999 Horswell 24/67.5
5,950,283 A * 9/1999 Sato 24/67 R
6,226,840 B1 * 5/2001 Lu 24/67.5
6,327,749 B1 * 12/2001 Antinone 24/67 R
6,363,941 B1 * 4/2002 Combs 131/190
6,374,463 B1 * 4/2002 Kaufman 24/67.5
D478,352 S * 8/2003 Huang D19/65
D485,780 S * 1/2004 Thomson D11/78.1
6,745,805 B2 * 6/2004 Thomson 150/137
7,120,969 B2 * 10/2006 Carls 24/67.3
7,305,741 B2 * 12/2007 Joe 24/67.5
7,318,293 B2 * 1/2008 Ardern, II 40/666
7,730,593 B1 * 6/2010 Juilly 24/67.5
7,992,260 B1 * 8/2011 Juilly 24/67.5
D663,774 S * 7/2012 Lau D19/65
D664,200 S * 7/2012 Lau D19/65
D672,394 S * 12/2012 Lau D19/65
D673,219 S * 12/2012 Lau D19/65
2001/0032376 A1 * 10/2001 Payne 24/67.5

* cited by examiner

Primary Examiner — Elizabeth Albert

(56) **References Cited**
U.S. PATENT DOCUMENTS

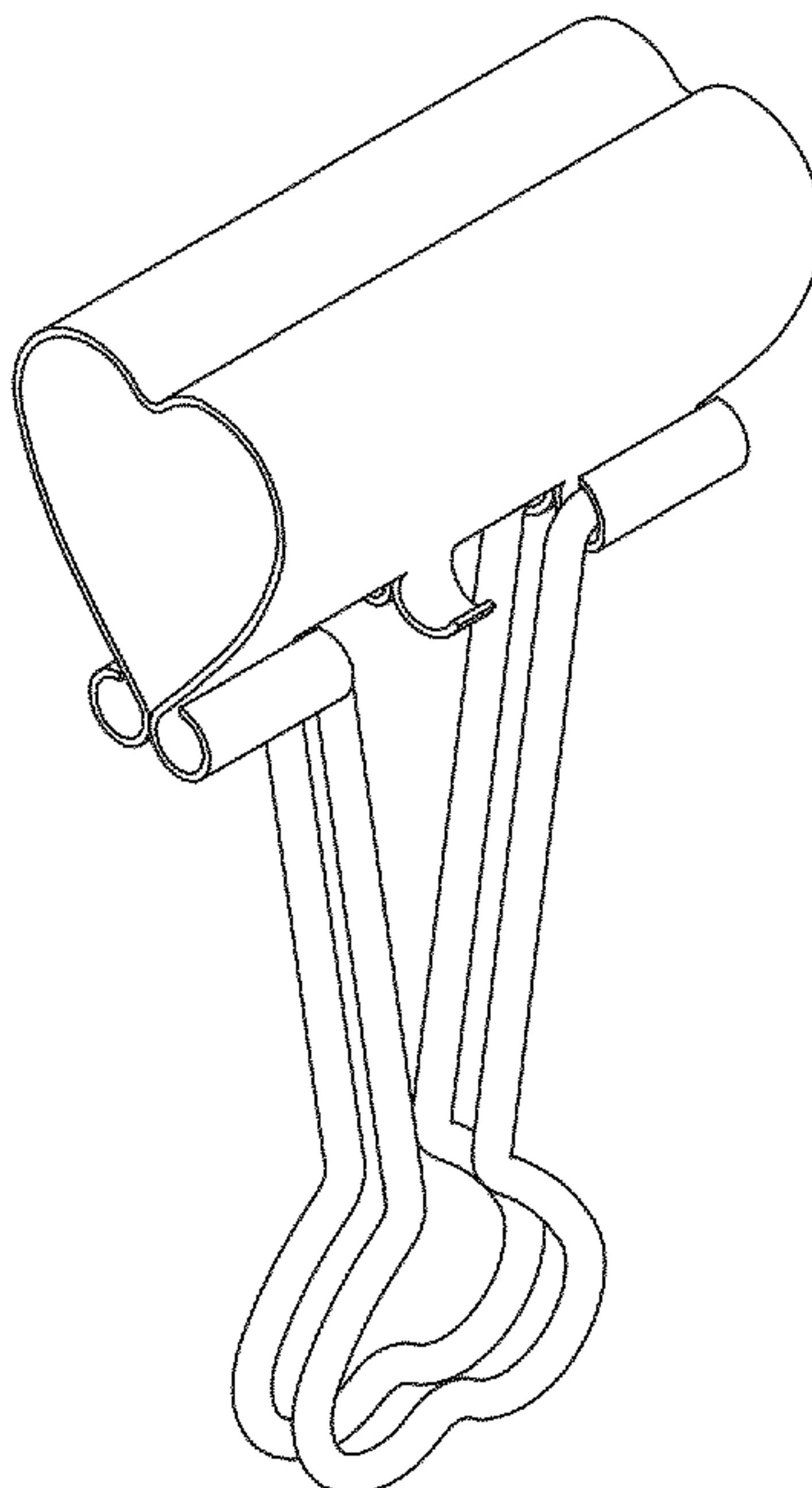
D31,430 S * 8/1899 Powers D11/205
1,139,627 A * 5/1915 Baltzley 24/565
1,569,986 A * 1/1926 Kurtzeborn 281/42
1,857,934 A * 5/1932 Blackburn 40/658
1,865,453 A * 7/1932 Baltzley 24/545
D141,629 S * 6/1945 Brand D11/56
2,910,749 A * 11/1959 Parker 24/67.9
3,286,381 A * 11/1966 Wooge 40/641
4,261,121 A * 4/1981 Coon 40/332
4,665,594 A * 5/1987 Wagner 24/546
D301,897 S * 6/1989 Wagner D19/65
D321,210 S * 10/1991 Hiromori D19/65
5,533,236 A * 7/1996 Tseng 24/67.5
D372,498 S * 8/1996 Sato D19/65
5,619,789 A * 4/1997 Chung 29/814

(57) **CLAIM**
The ornamental design for a binder clip, as shown and described.

DESCRIPTION

FIG. 1 is a perspective view of a binder clip showing my new design;
FIG. 2 is a front view thereof;
FIG. 3 is a rear view thereof;
FIG. 4 is a left side view thereof;
FIG. 5 is a right side view thereof;
FIG. 6 is a top plan view thereof; and,
FIG. 7 is a bottom plan view thereof.

1 Claim, 7 Drawing Sheets



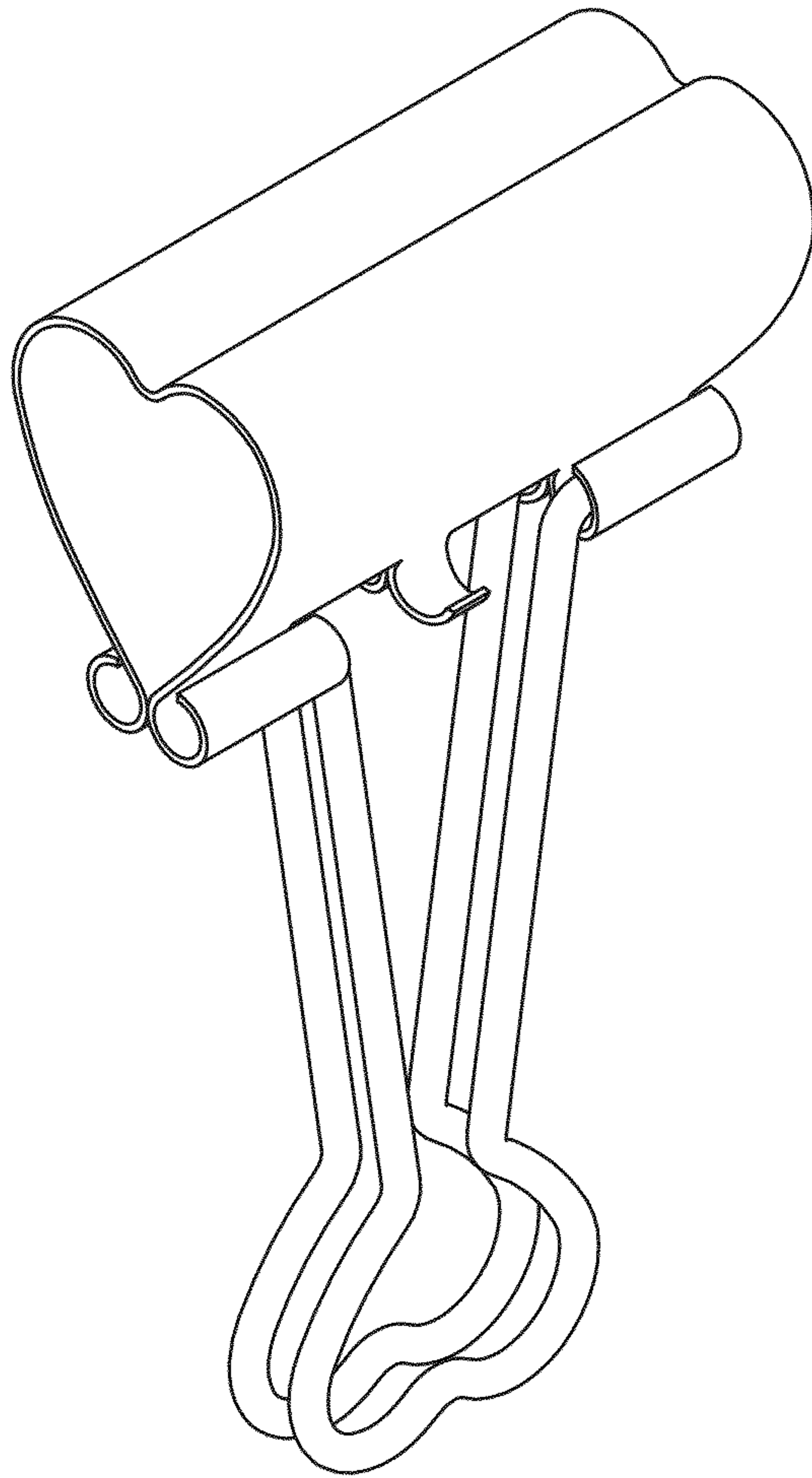


FIG. 1

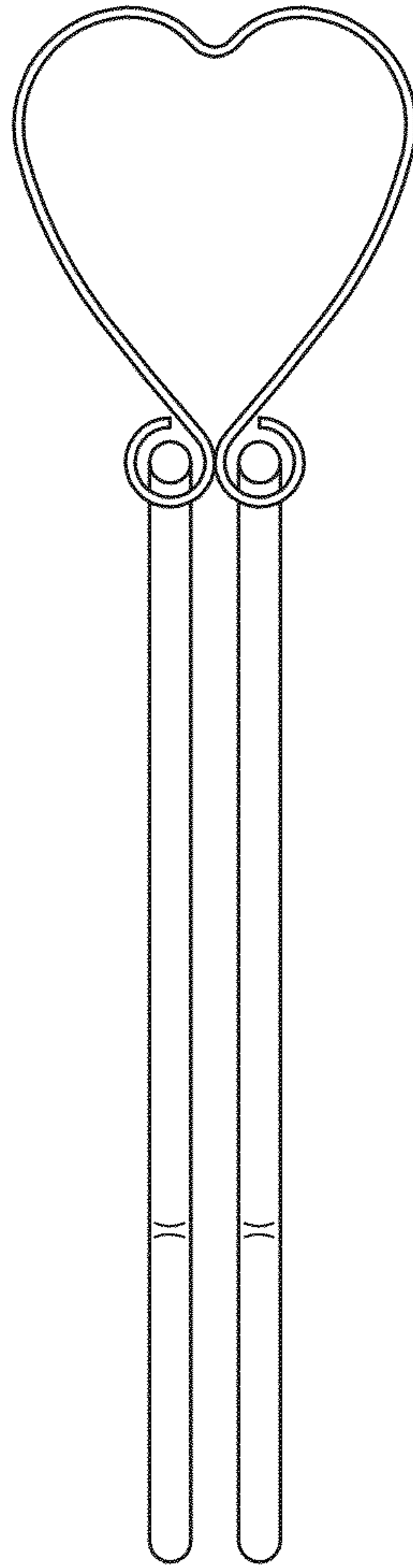


FIG. 2

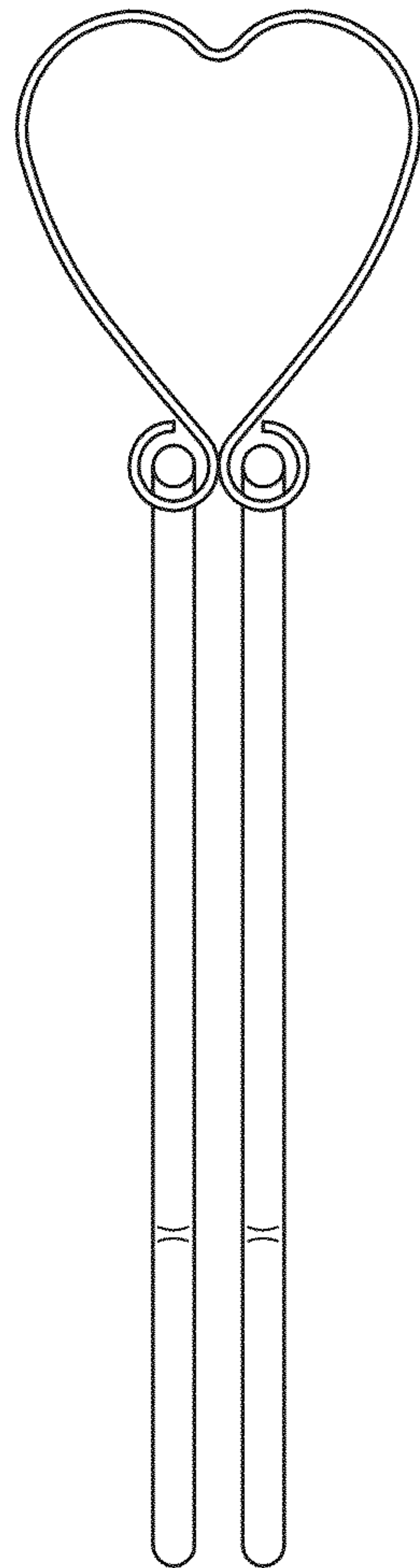


FIG. 3

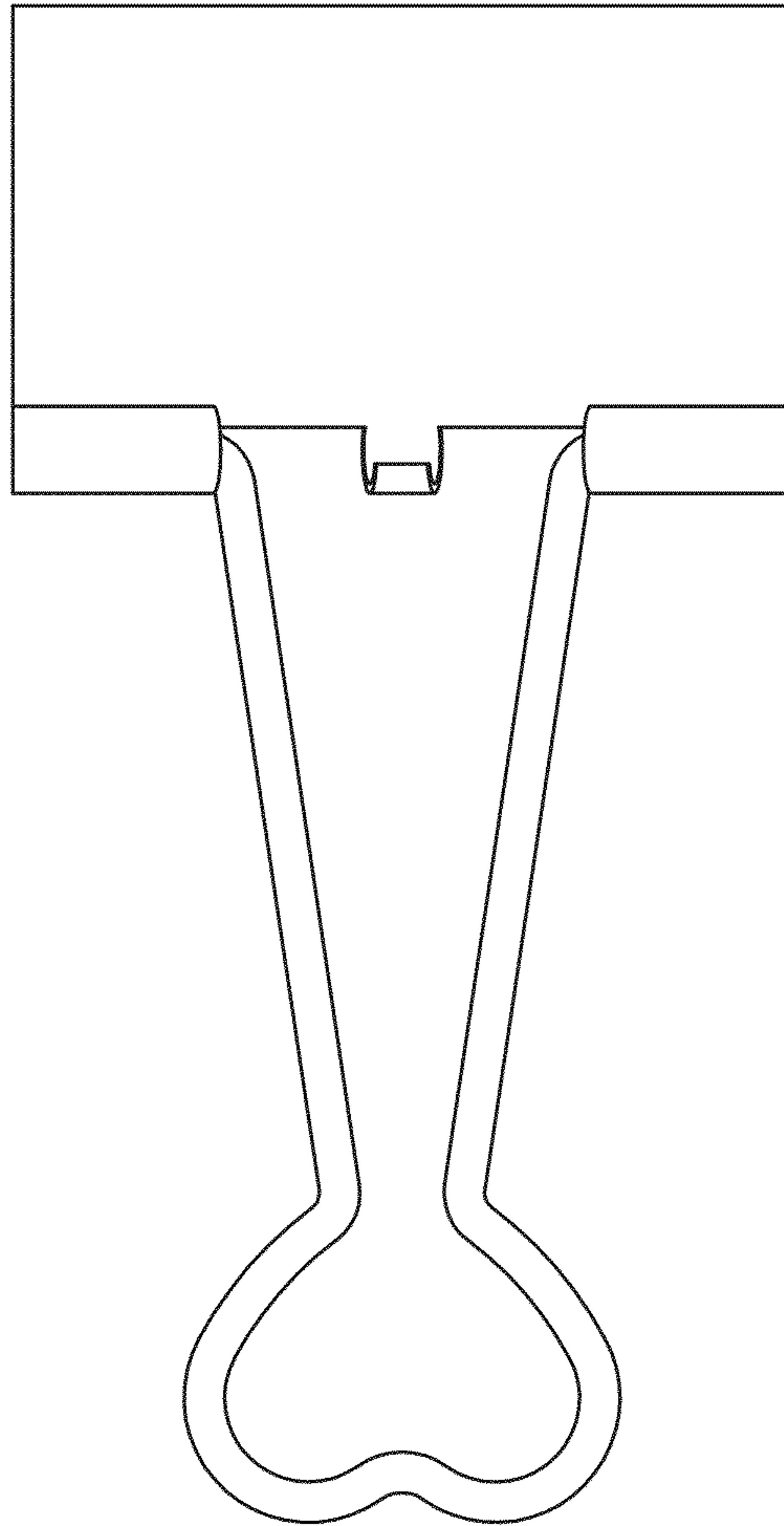


FIG. 4

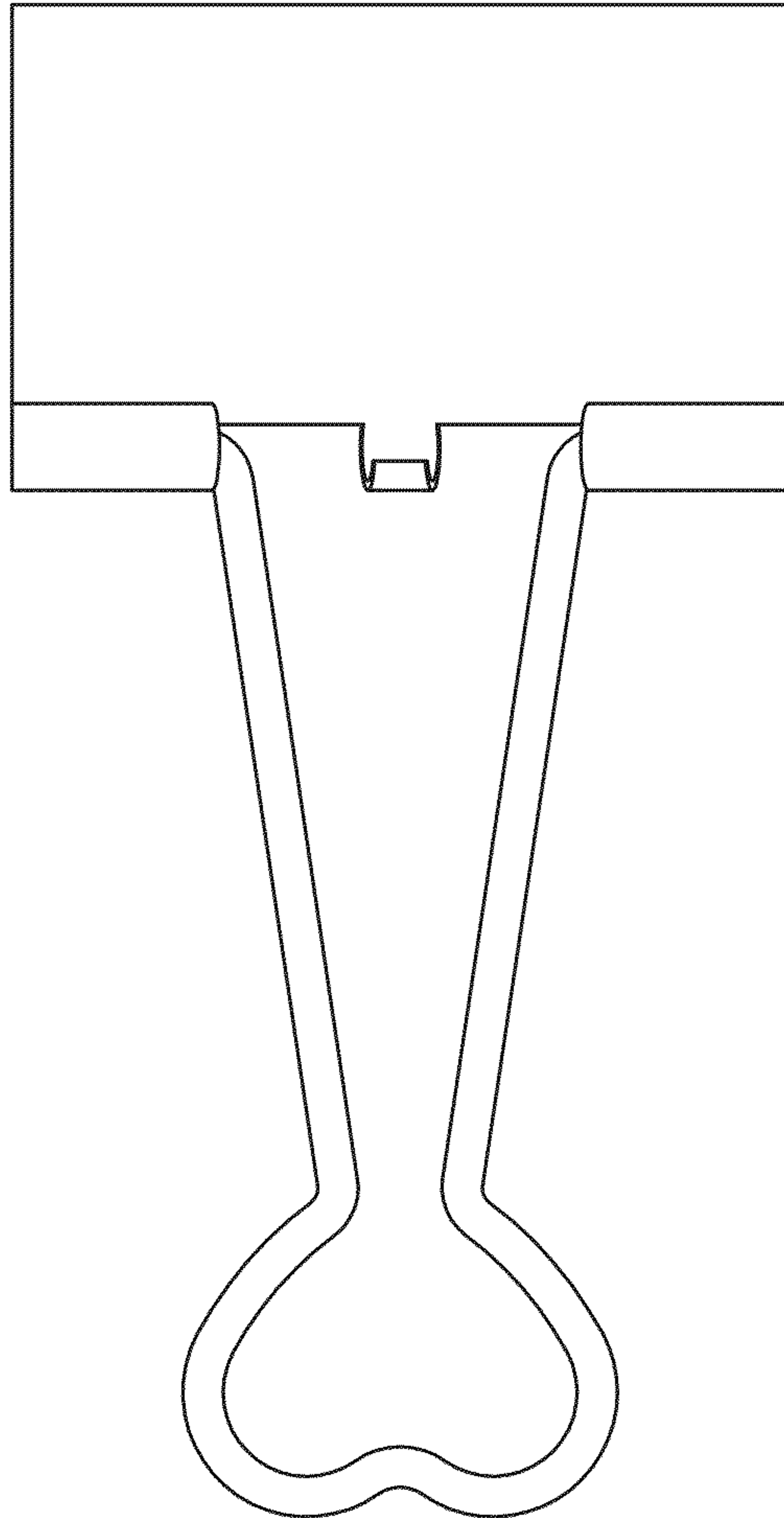


FIG. 5



FIG. 6

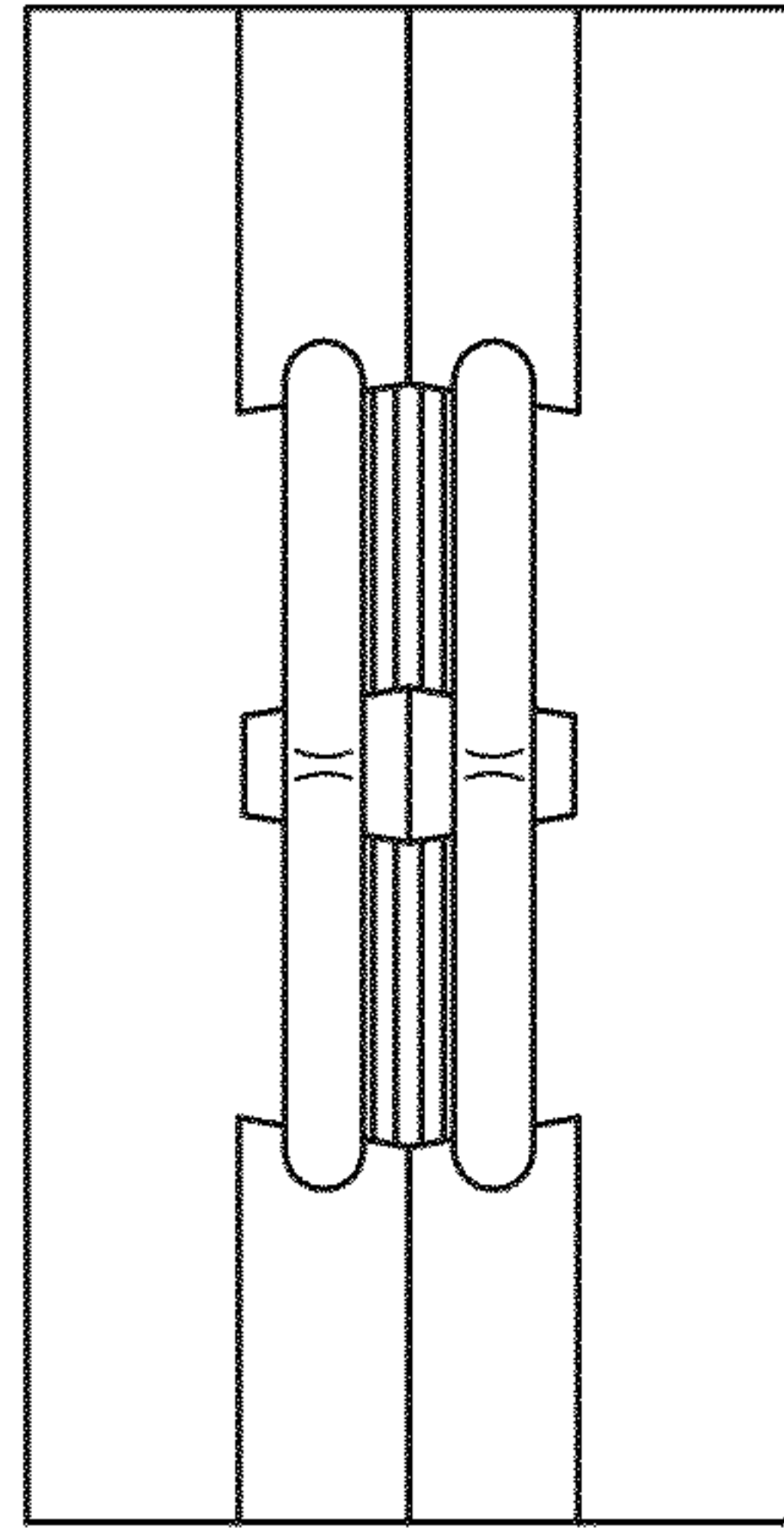


FIG. 7