



US00D701563S

(12) **United States Design Patent**
Kim et al.

(10) **Patent No.:** **US D701,563 S**
(45) **Date of Patent:** **** Mar. 25, 2014**

(54) **MULTIFUNCTION PRINTER**
(71) Applicants: **Kyong-Hwan Kim**, Seoul (KR);
Seung-Wook Jeong, Seoul (KR); **Isogai Yoshitaka**, Seongnam (KR)
(72) Inventors: **Kyong-Hwan Kim**, Seoul (KR);
Seung-Wook Jeong, Seoul (KR); **Isogai Yoshitaka**, Seongnam (KR)

D577,763 S * 9/2008 Hidaka et al. D18/39
D580,483 S 11/2008 Park et al.
D626,587 S * 11/2010 Ishio et al. D18/39
D626,588 S 11/2010 Kim et al.
D665,012 S * 8/2012 Saito et al. D18/39
D682,928 S 5/2013 Kim et al.
D685,414 S * 7/2013 Jeong et al. D18/53
D688,742 S 8/2013 Kim et al.
D692,477 S 10/2013 Kim et al.

(73) Assignee: **Samsung Electronics Co., Ltd.**,
Suwon-si, Gyeonggi-do (KR)

(**) Term: **14 Years**

(21) Appl. No.: **29/445,991**

(22) Filed: **Feb. 19, 2013**

(30) **Foreign Application Priority Data**

Nov. 5, 2012 (KR) 30-2012-0052685

(51) **LOC (10) Cl.** **14-02**

(52) **U.S. Cl.**
USPC **D18/53; D18/39; D18/55**

(58) **Field of Classification Search**
USPC D18/36-39, 50, 54, 54.1, 55;
D14/420-425, 463-470; 400/613,
400/613.1-613.4, 690.1-690.4, 691-694
See application file for complete search history.

(56) **References Cited**

U.S. PATENT DOCUMENTS

D502,210 S * 2/2005 Katori et al. D18/39
D534,206 S * 12/2006 Tomono et al. D18/39
D537,109 S * 2/2007 Mizusugi et al. D18/39
D537,866 S * 3/2007 Matsuda et al. D18/39

OTHER PUBLICATIONS

U.S. Appl. No. 29/427,368, Applicant: Naoto Fukasawa et al., filed Jul. 17, 2012 entitled Printer.

U.S. Appl. No. 29/427,372, Applicant: Naoto Fukasawa et al., filed Jul. 17, 2012 entitled Printer.

* cited by examiner

Primary Examiner — Cathy A MacCormac

(74) *Attorney, Agent, or Firm* — Flynn, Thiel, Boutell & Tanis, P.C.

(57) **CLAIM**

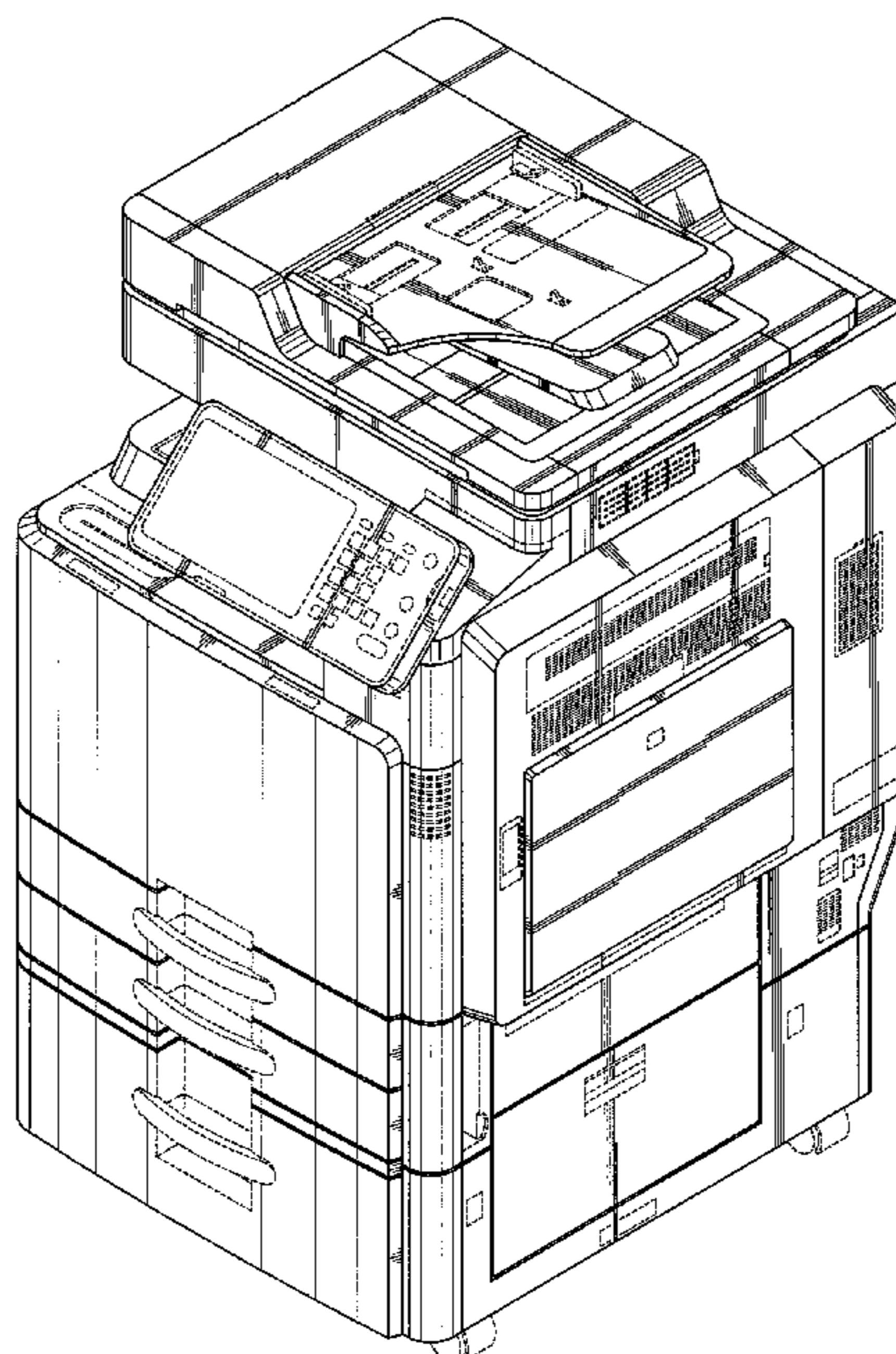
The ornamental design for a multifunction printer, as shown and described.

DESCRIPTION

FIG. 1 is a top front perspective view of a multifunction printer showing our new design;
FIG. 2 is a front elevational view thereof;
FIG. 3 is a rear elevational view thereof;
FIG. 4 is a left side elevational view thereof;
FIG. 5 is a right side elevational view thereof;
FIG. 6 is a top plan view thereof; and,
FIG. 7 is a bottom plan view thereof.

The broken lines depict environmental subject matter only and form no part of the claimed design.

1 Claim, 6 Drawing Sheets



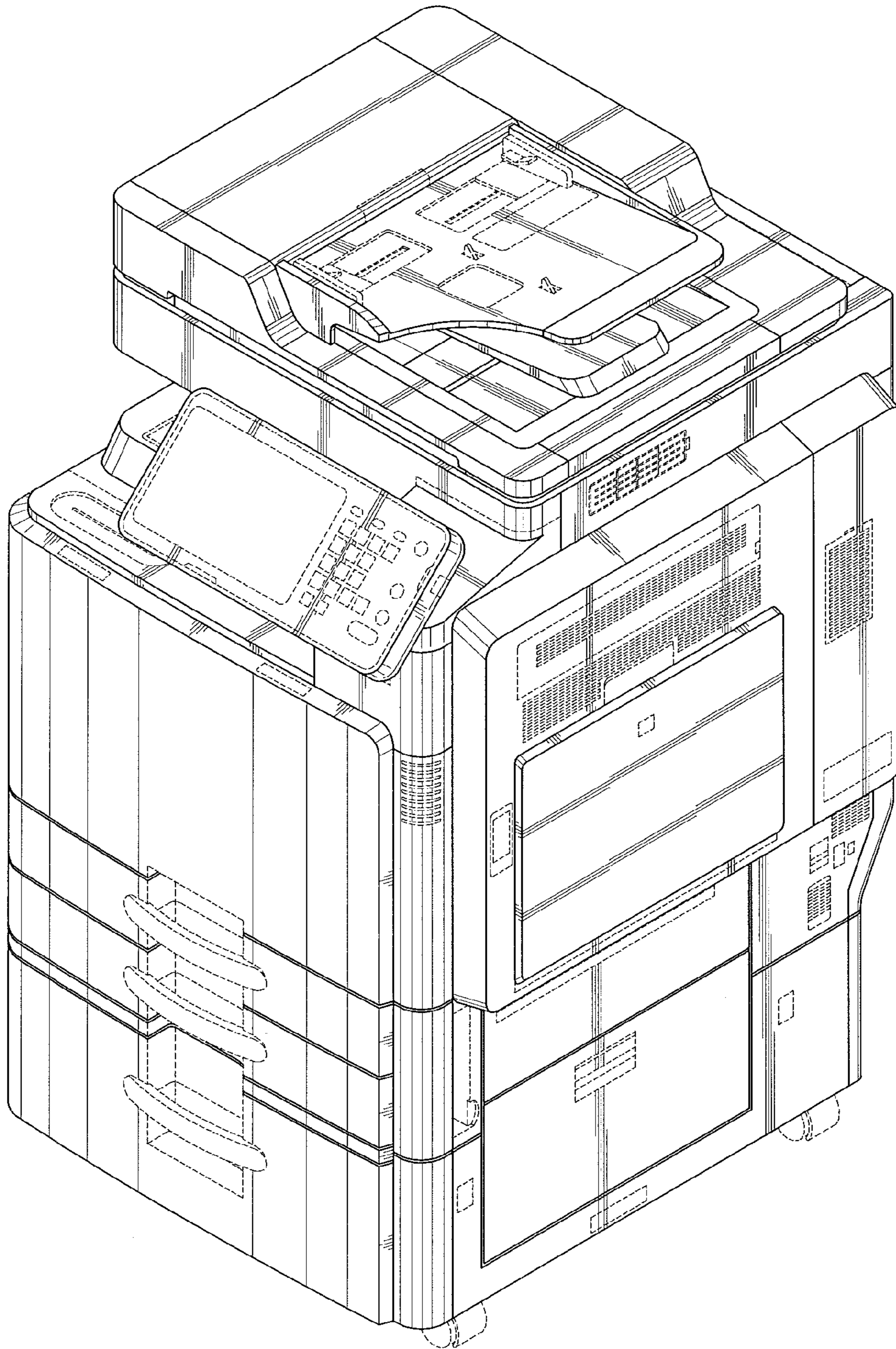


FIG.1

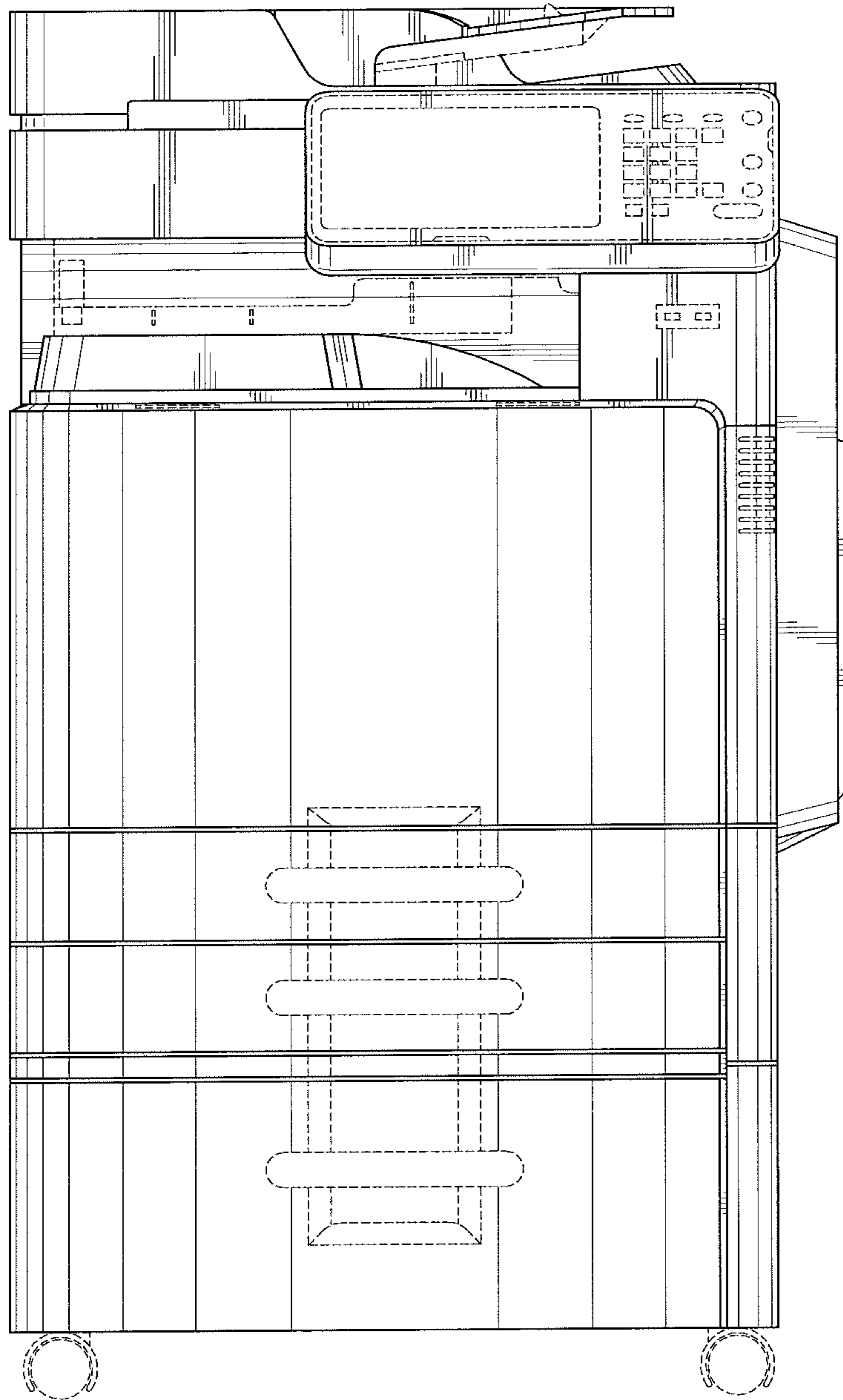


FIG.2

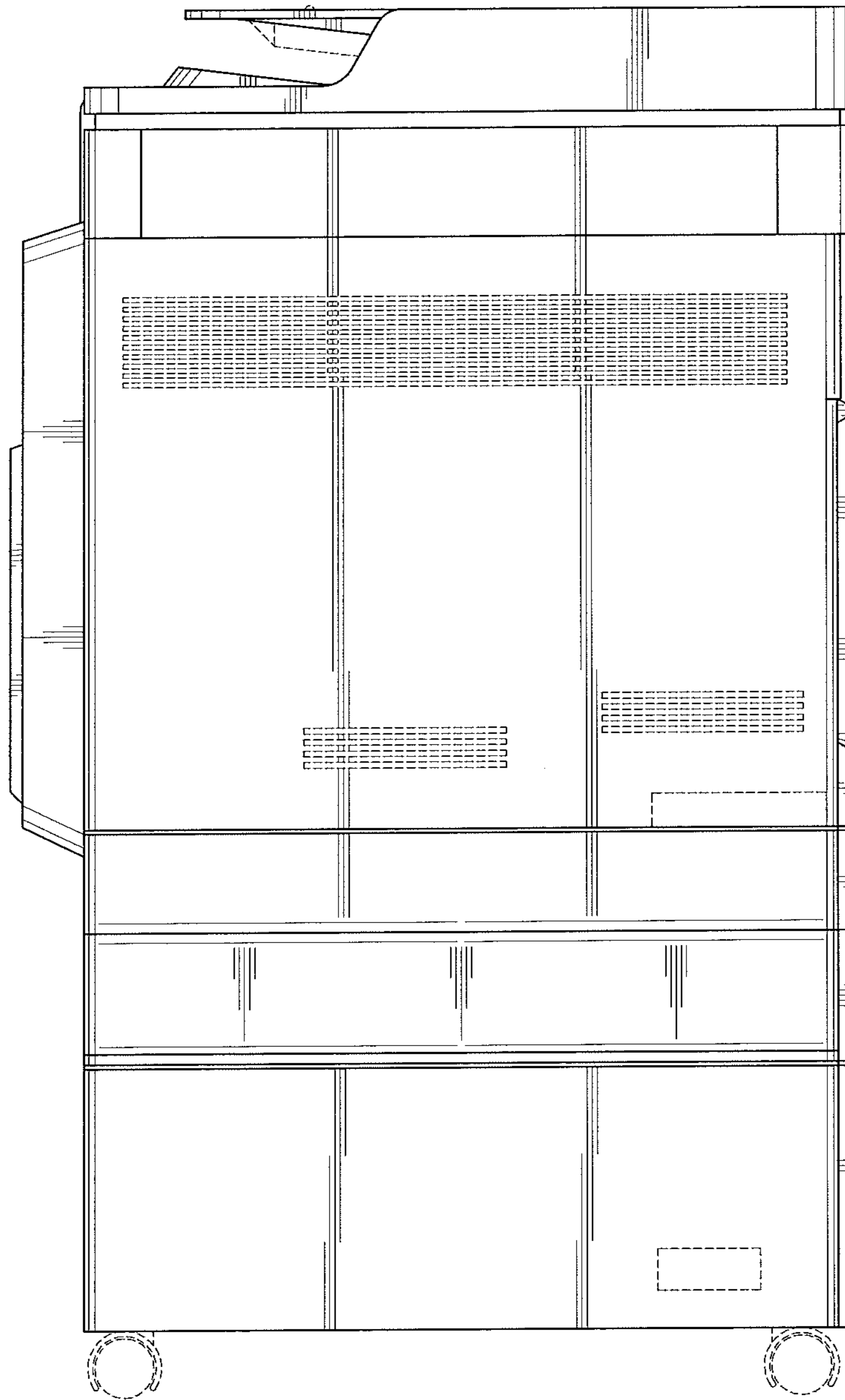


FIG.3

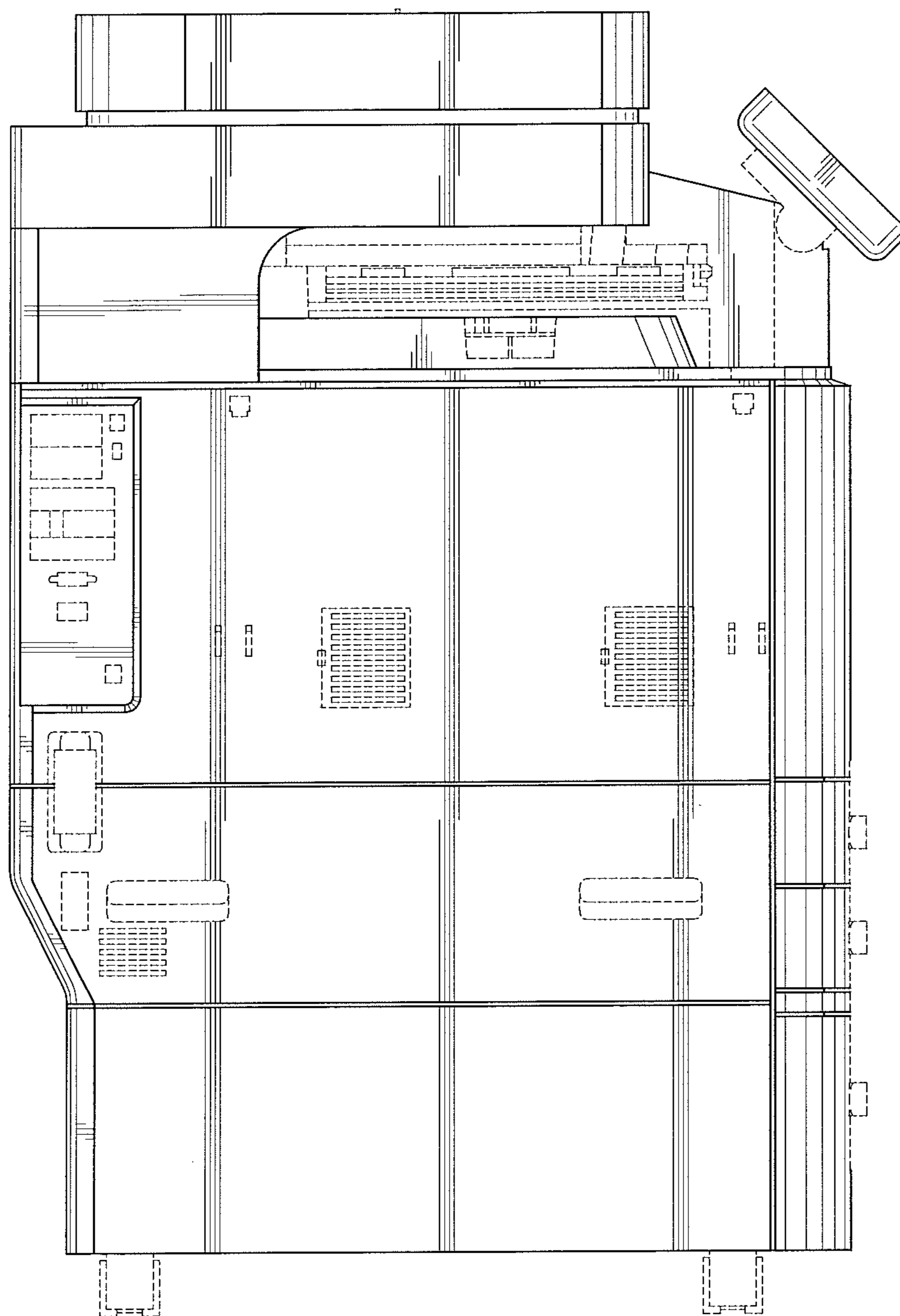


FIG.4

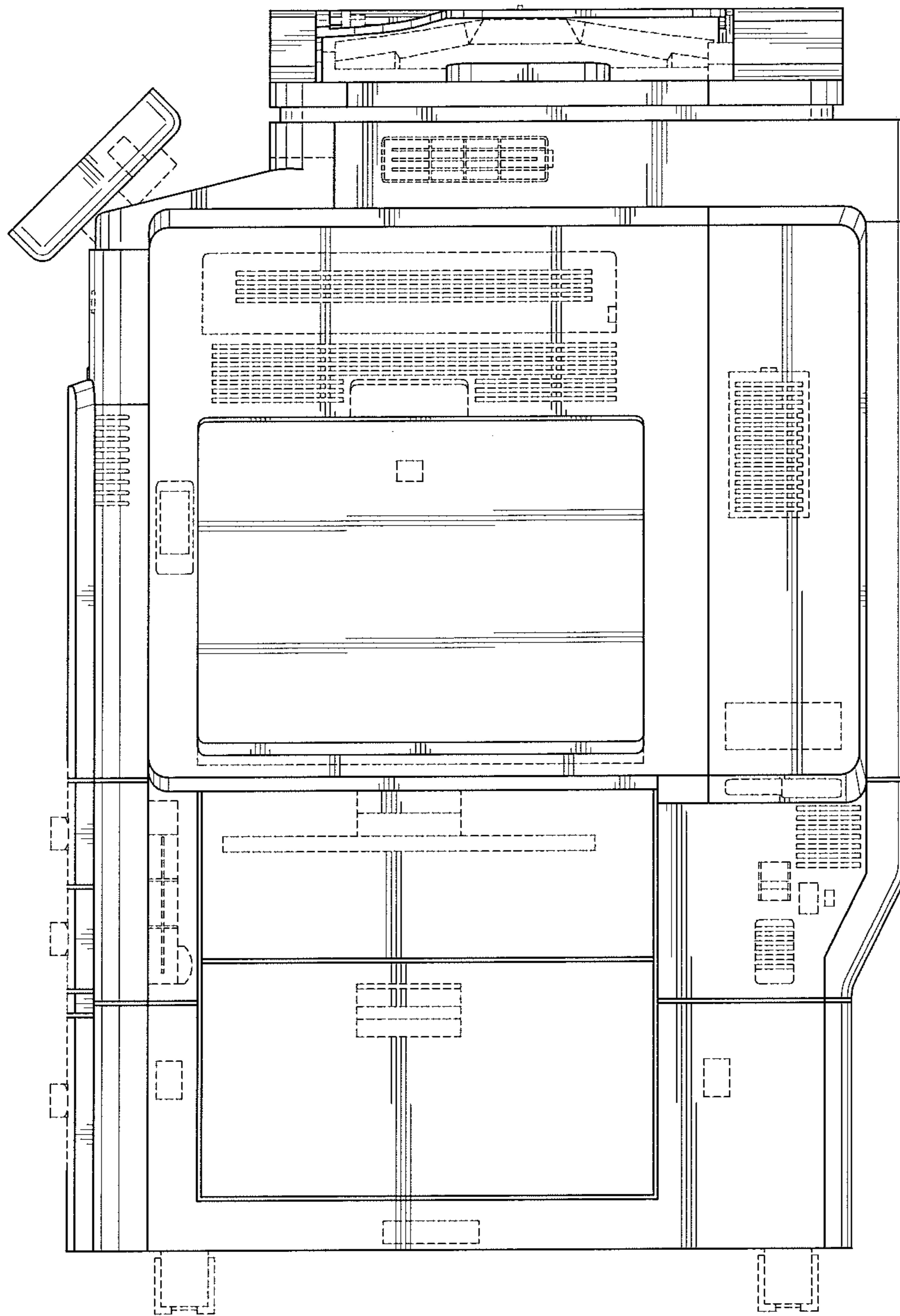


FIG.5

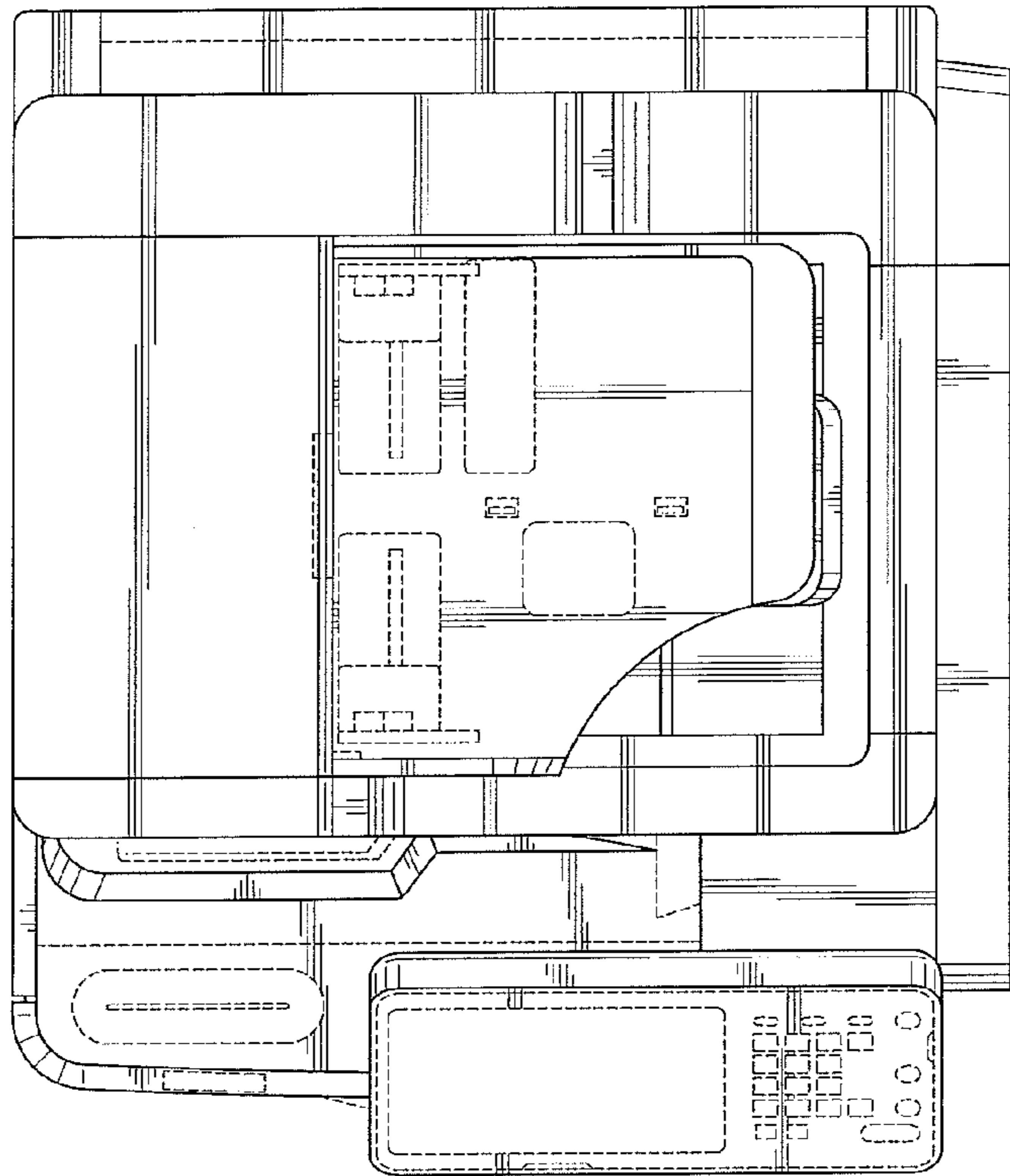


FIG.6

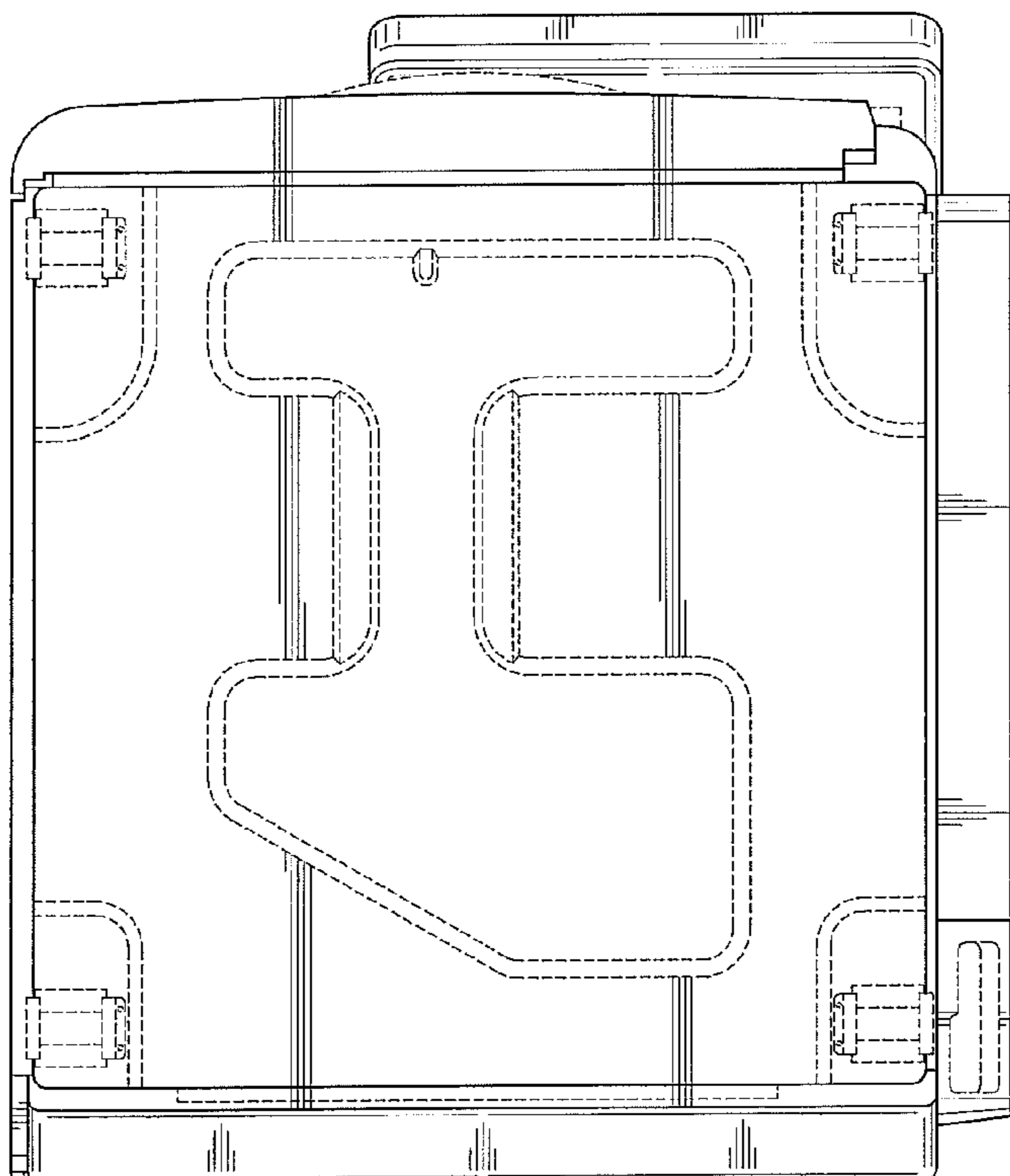


FIG.7