



US00D701561S

(12) **United States Design Patent**
Jihoon et al.

(10) **Patent No.:** **US D701,561 S**
(45) **Date of Patent:** **** Mar. 25, 2014**

(54) **PRINTER**
(75) Inventors: **Kil Jihoon**, Nagoya (JP); **Jiro Suzuki**,
Kariya (JP); **Yusaku Seki**, Nagoya (JP)

D405,109 S 2/1999 Kenmochi et al.
D405,110 S 2/1999 Yamamoto et al.
D434,068 S 11/2000 Ikeda et al.
D437,348 S 2/2001 Hirose et al.
D621,443 S 8/2010 Nishiguchi

(73) Assignee: **Brother Industries, Ltd.**, Nagoya (JP)

FOREIGN PATENT DOCUMENTS

(**) Term: **14 Years**

CN 3516913 4/2006
CN 3556785 8/2006
CN 300773031 4/2008
CN 301438822 1/2011
CN 301545805 5/2011
CN 301693810 10/2011
JP S-D1108804 5/2001

(21) Appl. No.: **29/428,050**

(22) Filed: **Jul. 25, 2012**

(30) **Foreign Application Priority Data**

Jan. 27, 2012 (JP) 2012-1588

(51) **LOC (10) Cl.** **14-02**

(52) **U.S. Cl.**
USPC **D18/50**

(58) **Field of Classification Search**
USPC D18/36-38, 50, 54, 54.1, 55;
D14/420-425, 462-470; 400/613,
400/613.1-613.4, 690.1-690.4, 691-694
See application file for complete search history.

(56) **References Cited**

U.S. PATENT DOCUMENTS

D194,815 S * 3/1963 Graves D18/36
3,155,031 A * 11/1964 Ingves et al. D18/14
3,825,727 A * 7/1974 Sarcia D18/50
D304,723 S * 11/1989 Yoshihara D14/467
D311,914 S * 11/1990 Yoshihara D14/467
D363,081 S * 10/1995 Burt D18/50
5,462,375 A * 10/1995 Isobe et al. 400/693

* cited by examiner

Primary Examiner — Cathy A MacCormac

(74) *Attorney, Agent, or Firm* — Oliff PLC

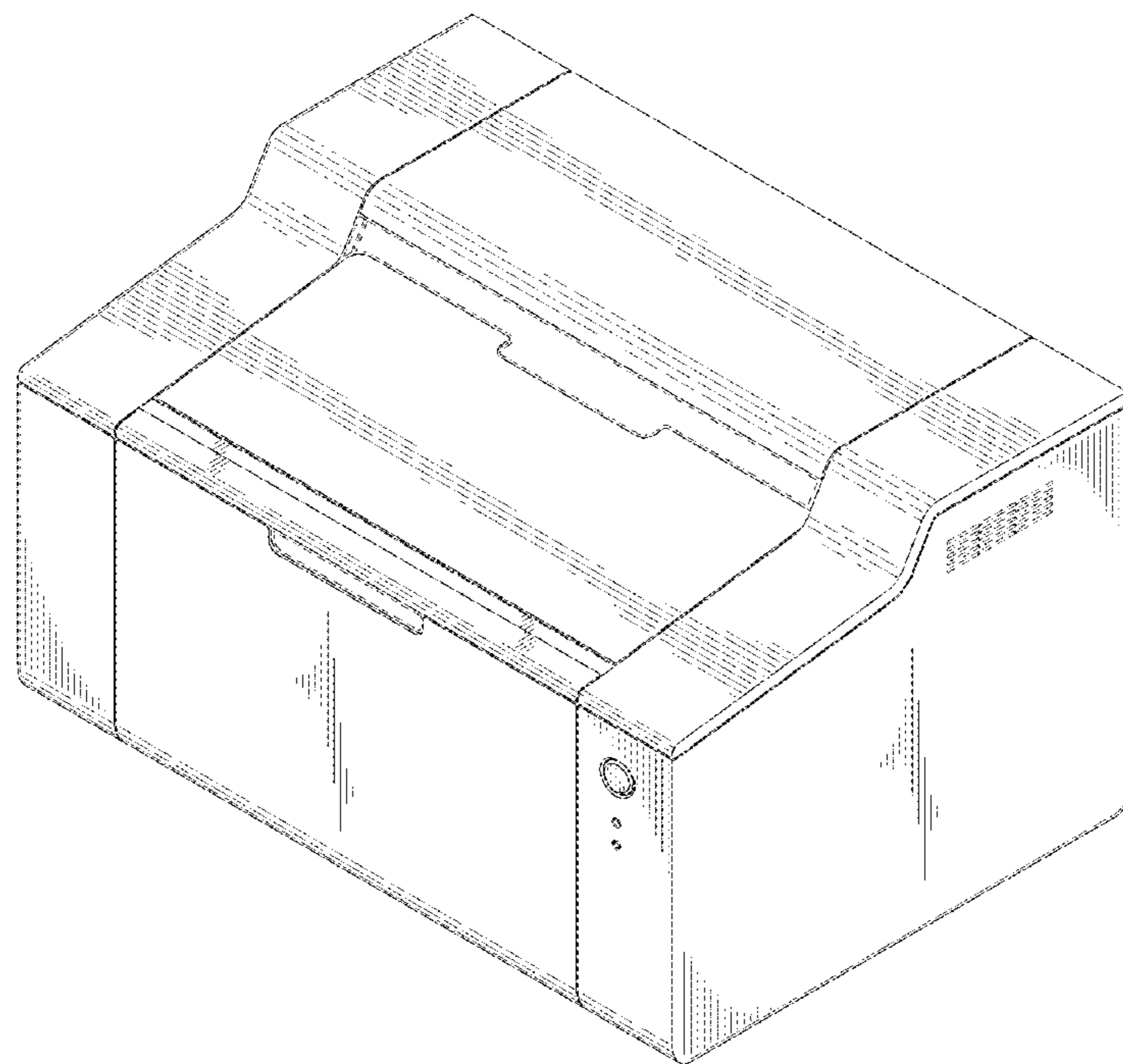
(57) **CLAIM**

The ornamental design for a printer, as shown and described.

DESCRIPTION

FIG. 1 is a perspective view of a printer;
FIG. 2 is a front view thereof;
FIG. 3 is a top view thereof;
FIG. 4 is a right-side view thereof;
FIG. 5 is a left-side view thereof;
FIG. 6 is a rear view thereof; and,
FIG. 7 is a bottom view thereof.
The broken lines depict unclaimed portions only and form no
part of the claimed design.

1 Claim, 6 Drawing Sheets



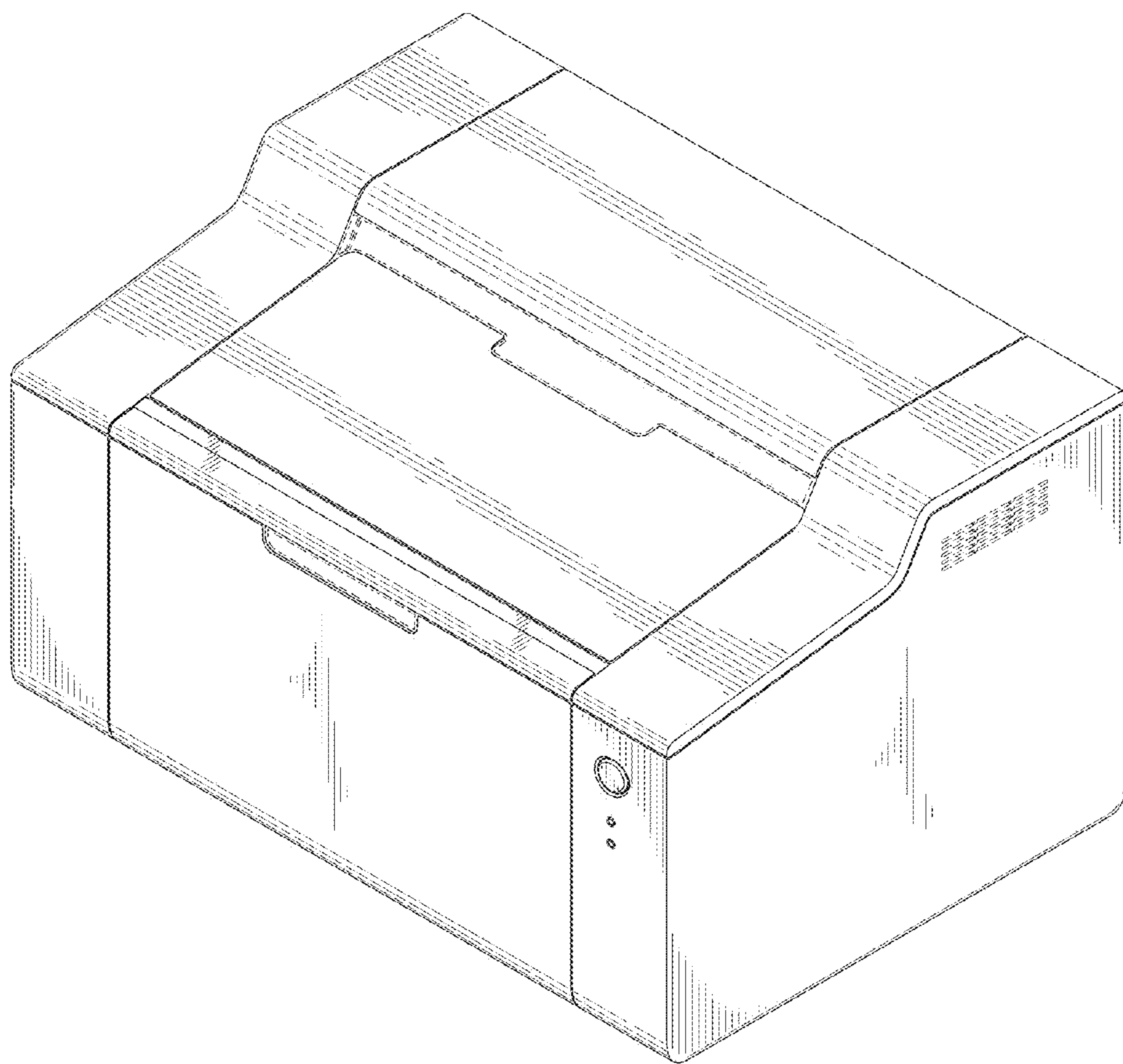


FIG. 1

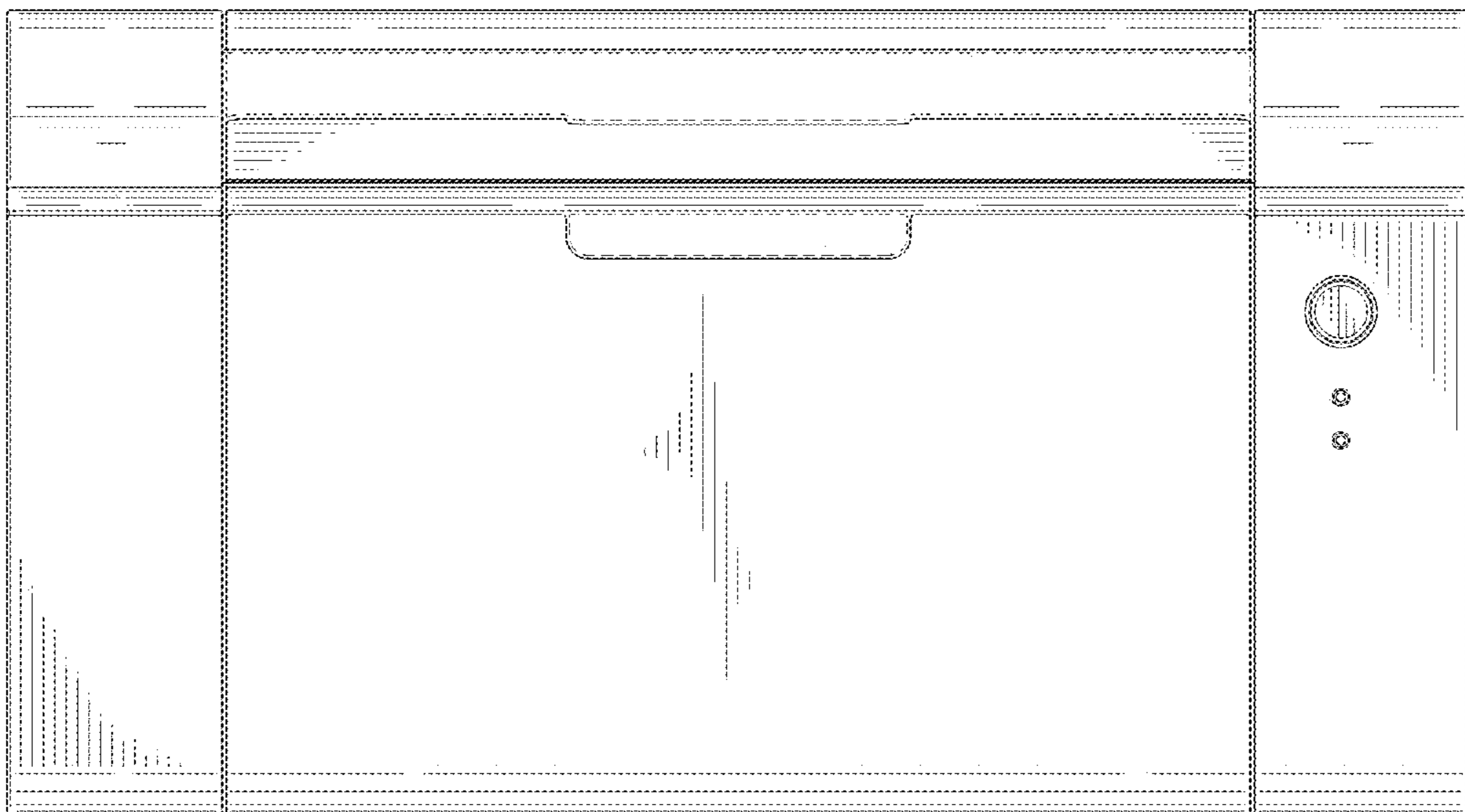


FIG. 2

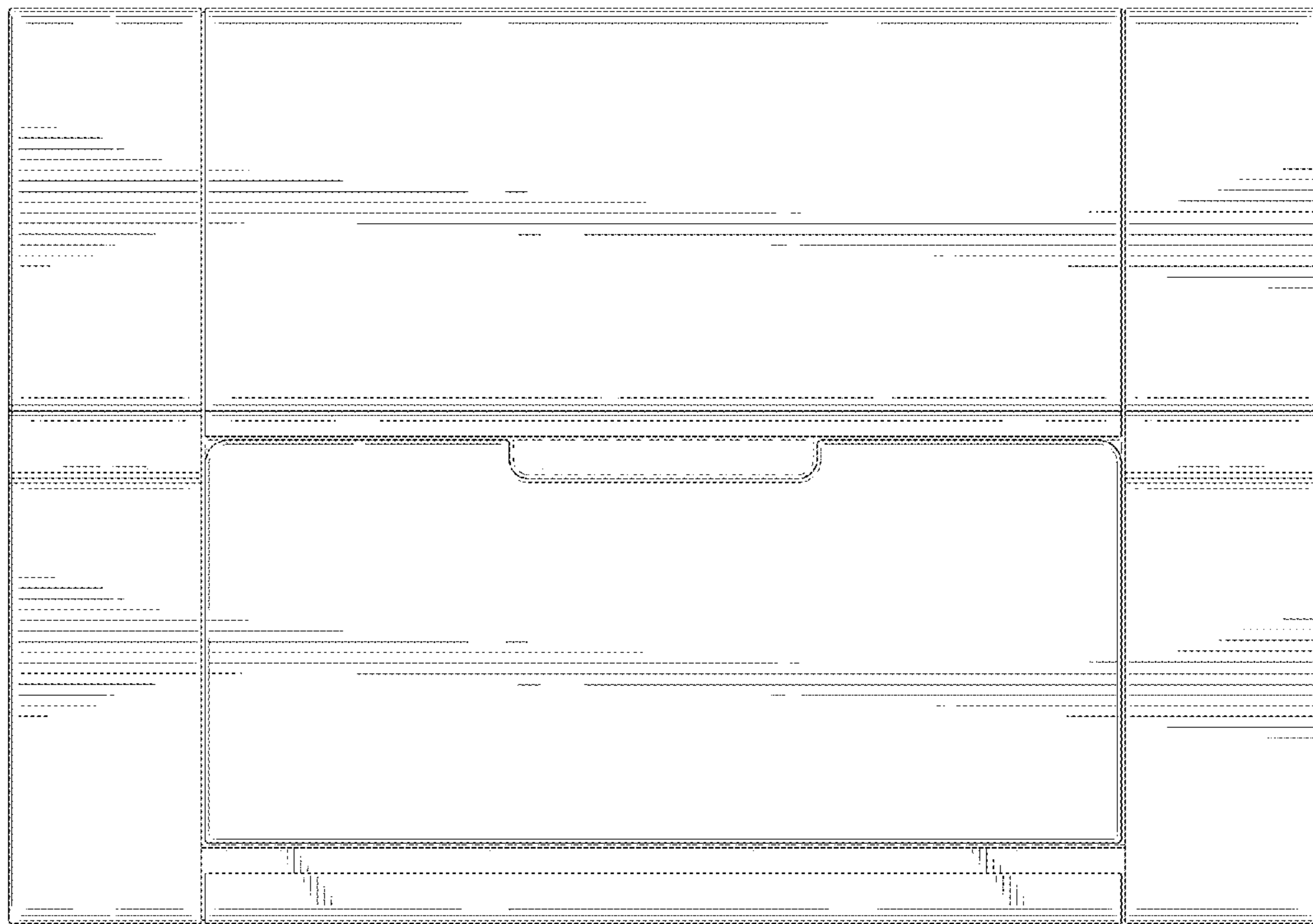


FIG. 3

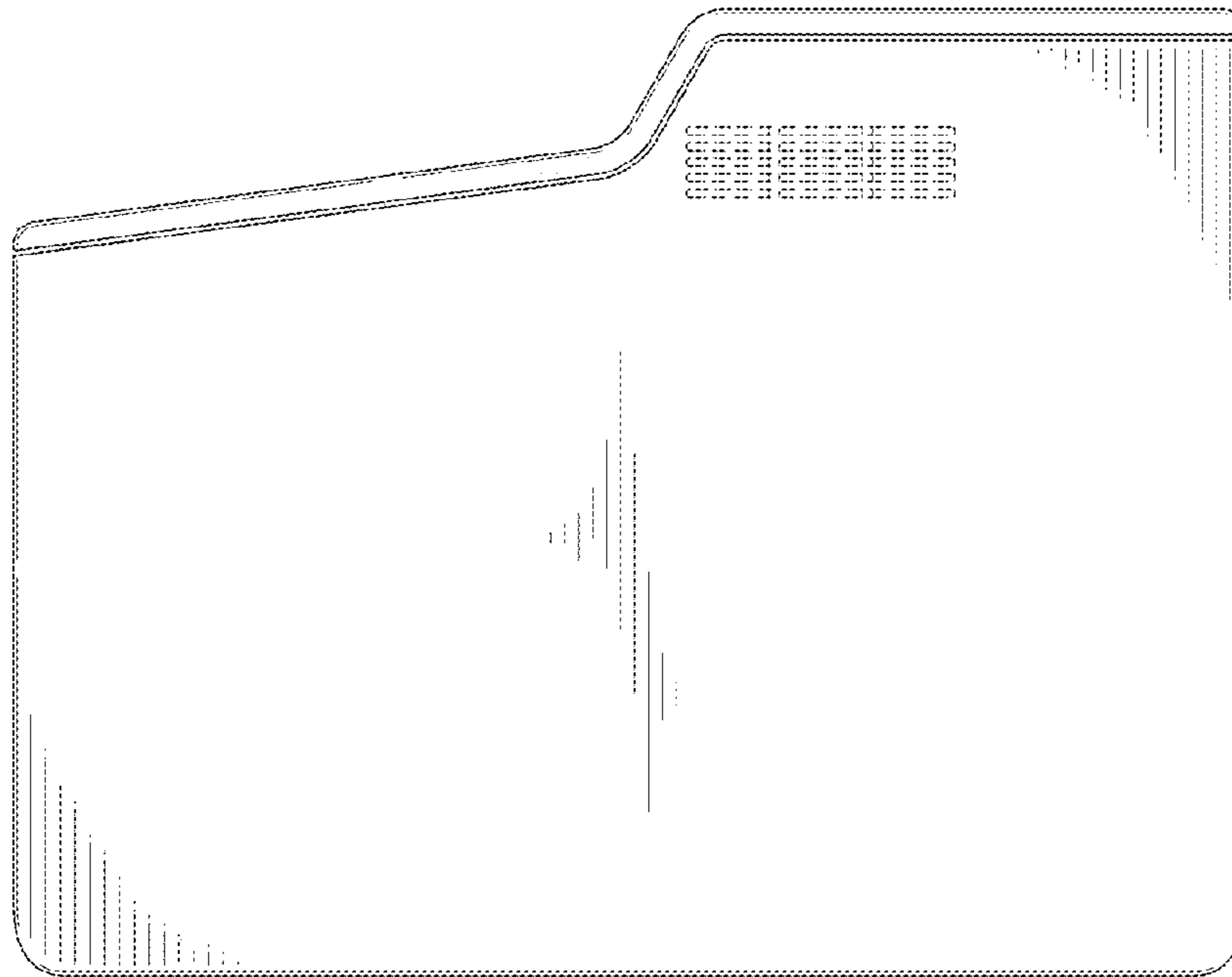


FIG. 4

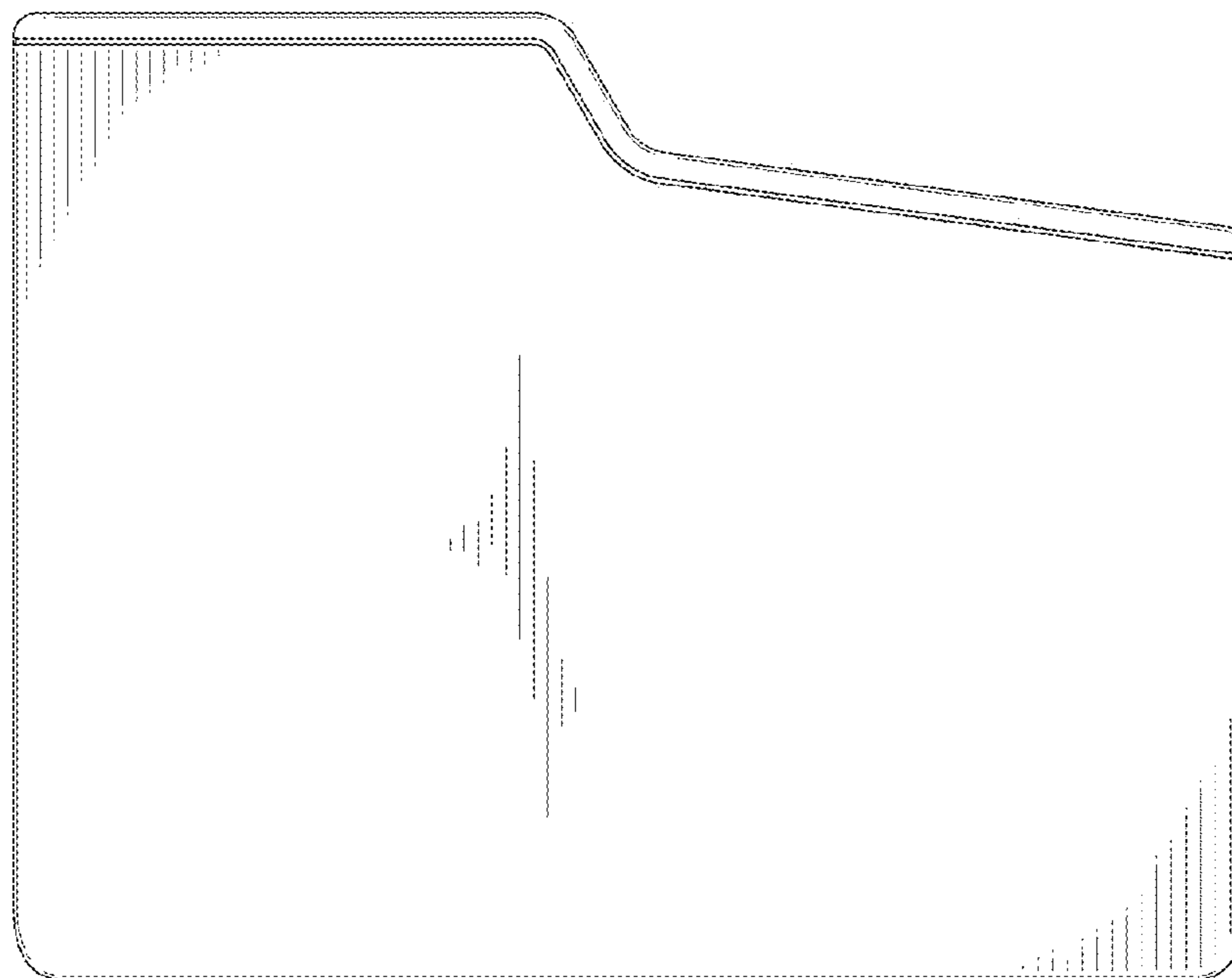


FIG. 5

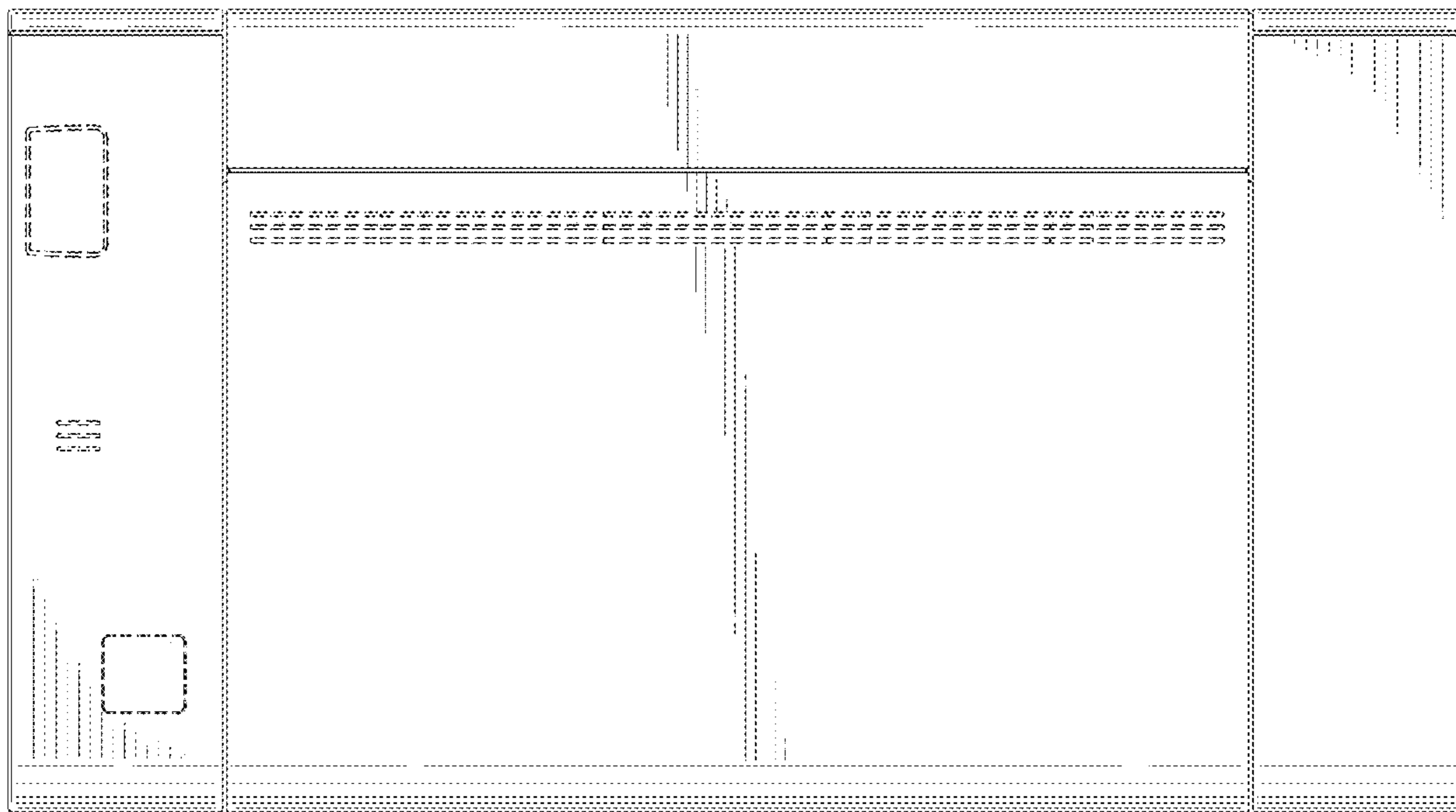


FIG. 6

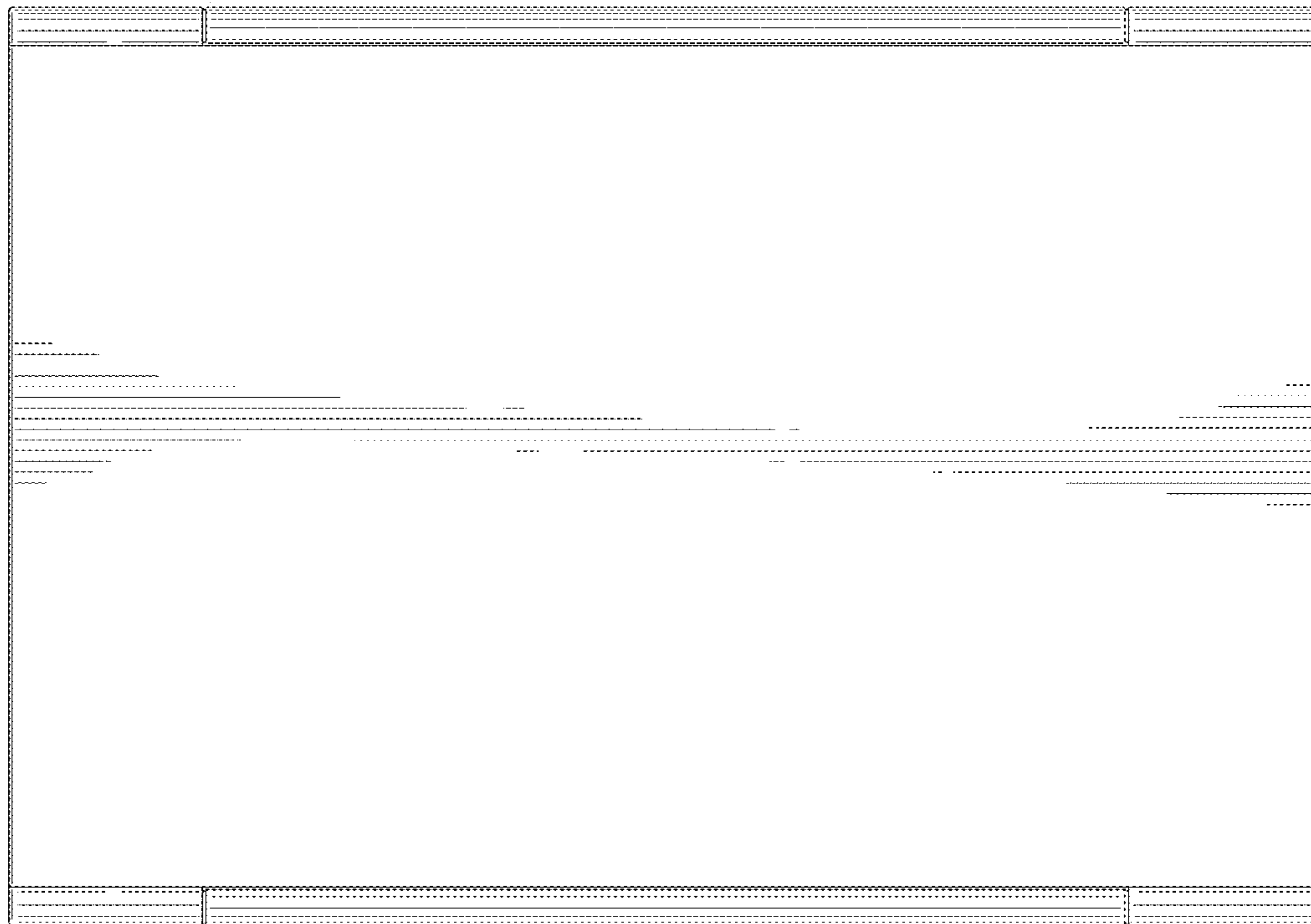


FIG. 7