



US00D701556S

(12) **United States Design Patent**
Cho

(10) **Patent No.:** **US D701,556 S**
(45) **Date of Patent:** **** Mar. 25, 2014**

(54) **GLASSES FOR WATCHING 3D IMAGE**

(71) Applicant: **Samsung Electronics Co., Ltd.**,
Suwon-Si (KR)

(72) Inventor: **Ju-Won Cho**, Seoul (KR)

(73) Assignee: **Samsung Electronics Co., Ltd.**,
Suwon-Si (KR)

(**) Term: **14 Years**

(21) Appl. No.: **29/440,165**

(22) Filed: **Dec. 19, 2012**

Related U.S. Application Data

(63) Continuation-in-part of application No. 29/428,392,
filed on Jul. 30, 2012, now Pat. No. Des. 677,710.

(51) **LOC (10) Cl.** **16-06**

(52) **U.S. Cl.**
USPC **D16/309**; D16/321; D16/325

(58) **Field of Classification Search**
USPC D16/101, 300-342, 900; D29/109-110;
351/41, 44, 51-52, 62, 158, 92,
351/103-123, 140-153, 45-46; 2/426-432,
2/447-449, 441, 434-437, 13, 15;
D21/483, 659-661; D14/372

See application file for complete search history.

(56) **References Cited**

U.S. PATENT DOCUMENTS

4,400,067 A * 8/1983 Joffe 351/59
D375,111 S * 10/1996 Wielhouwer D16/304
5,729,321 A * 3/1998 Wielhouwer 351/44
D431,042 S * 9/2000 Lin D16/304
D462,979 S * 9/2002 Fairclough D16/311
D634,348 S * 3/2011 Suzuki D16/309
D636,809 S 4/2011 Hwang et al.

D636,810 S 4/2011 Hwang et al.
D645,498 S * 9/2011 Seo et al. D16/321
D647,123 S * 10/2011 Cho D16/309
D659,740 S * 5/2012 Olsson et al. D16/300

(Continued)

FOREIGN PATENT DOCUMENTS

KR 300282440 10/2001
KR 300282441 10/2001

(Continued)

OTHER PUBLICATIONS

U.S. Appl. No. 29/437,310, Applicant Ju-Won Cho, filed Nov. 15,
2012, title Glasses for Watching 3D Image.

(Continued)

Primary Examiner — Raphael Barkai

(74) *Attorney, Agent, or Firm* — Wood, Herron & Evans,
LLP

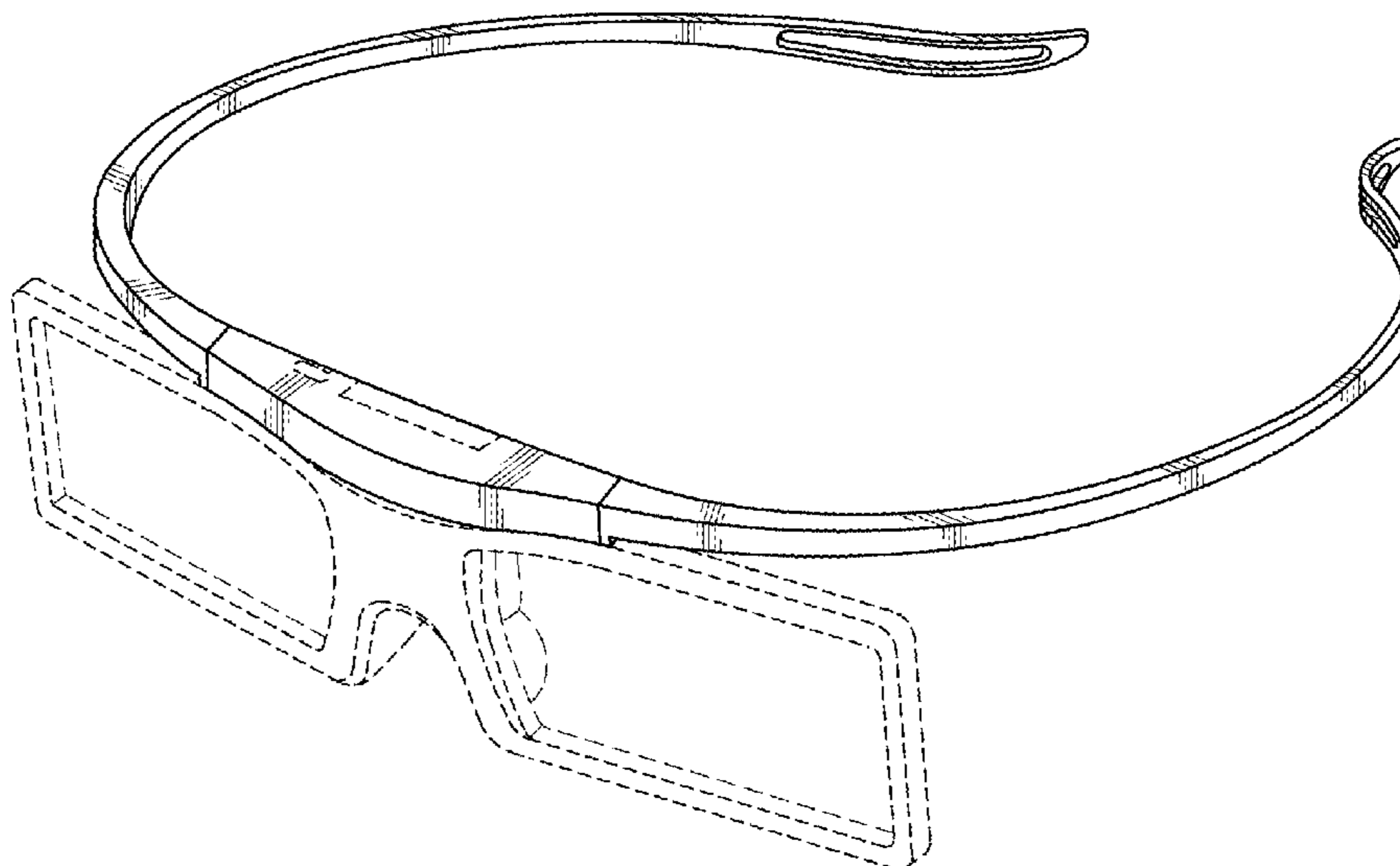
(57) **CLAIM**

The ornamental design for glasses for watching 3D image, as
shown and described.

DESCRIPTION

FIG. 1 is a top front perspective view of a glasses for watching
3D image showing my new design;
FIG. 2 is a front elevational view thereof;
FIG. 3 is a rear elevational view thereof;
FIG. 4 is a left side elevational view thereof;
FIG. 5 is a right side elevational view thereof;
FIG. 6 is a top plan view thereof;
FIG. 7 is a bottom plan view thereof; and,
FIG. 8 is top plan view thereof when the legs are separated for
packaging the present glasses.
The broken lines depict environmental subject matter only
and form no part of the claimed design.

1 Claim, 5 Drawing Sheets



US D701,556 S

Page 2

(56)

References Cited

U.S. PATENT DOCUMENTS

D661,334 S * 6/2012 Cho et al. D16/309
D664,587 S * 7/2012 Cho et al. D16/309
D665,008 S * 8/2012 Olsson et al. D16/309
D671,979 S * 12/2012 Fuchs D16/320
D677,710 S 3/2013 Cho et al.

FOREIGN PATENT DOCUMENTS

KR 300587691 2/2011
KR 300587715 2/2011

KR 300611725 9/2011
KR 300611754 9/2011
KR 300614318 9/2011

OTHER PUBLICATIONS

U.S. Appl. No. 29/437,321, Applicant Ju-Won Cho, filed Nov. 15,
2012, title Glasses for Watching 3D Image.

* cited by examiner

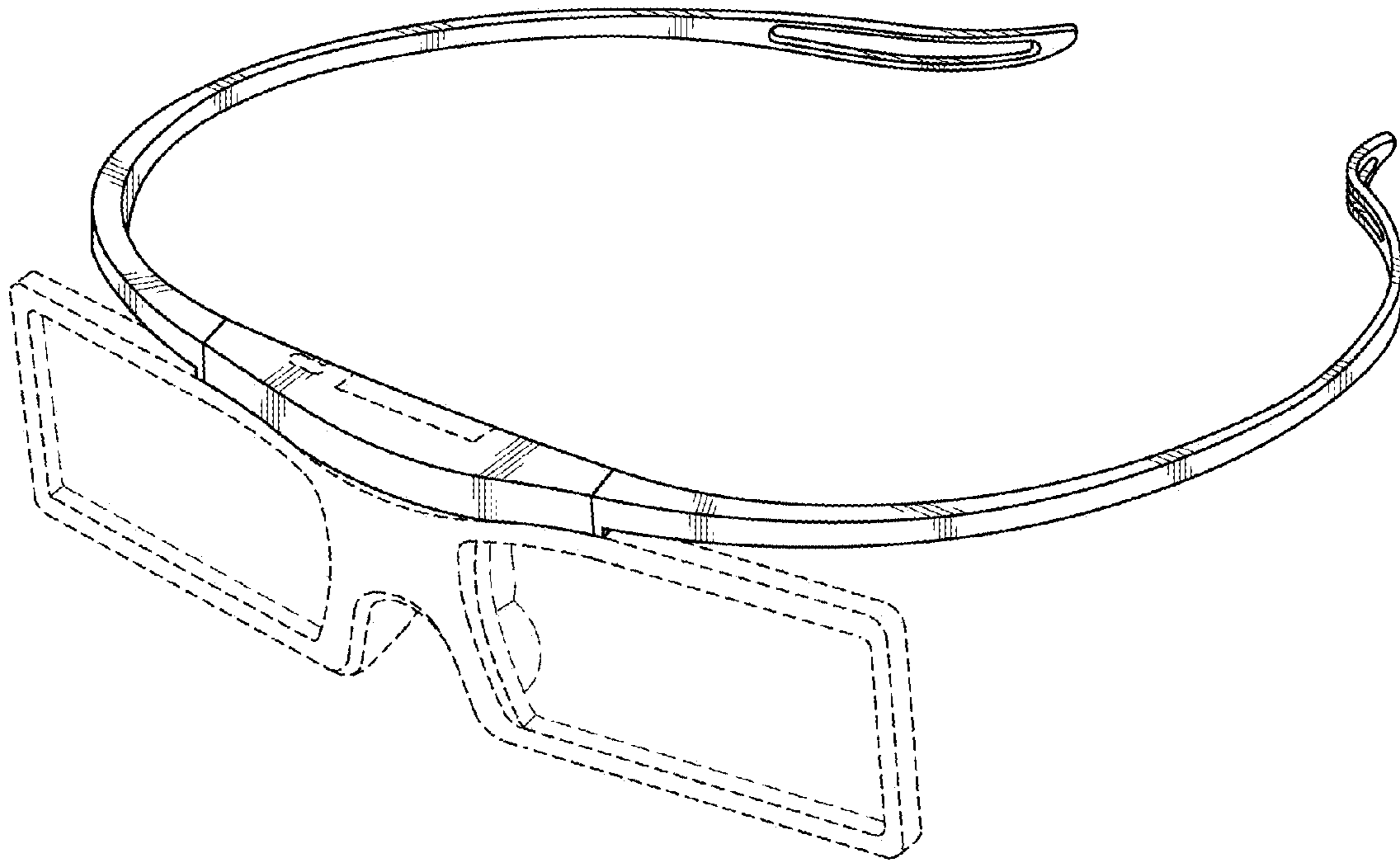


FIG. 1

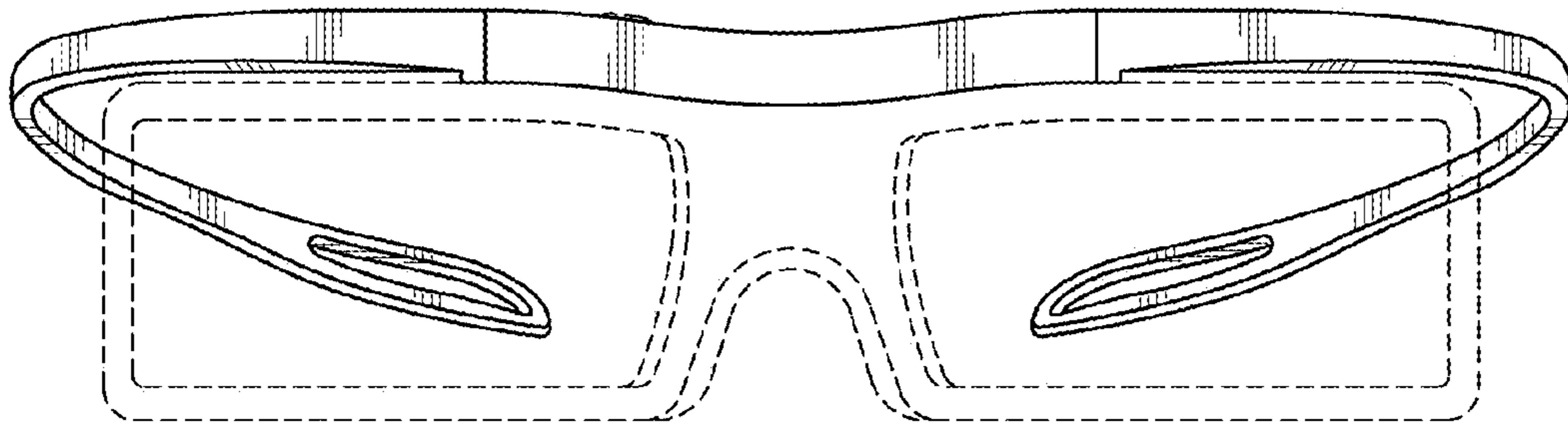


FIG. 2

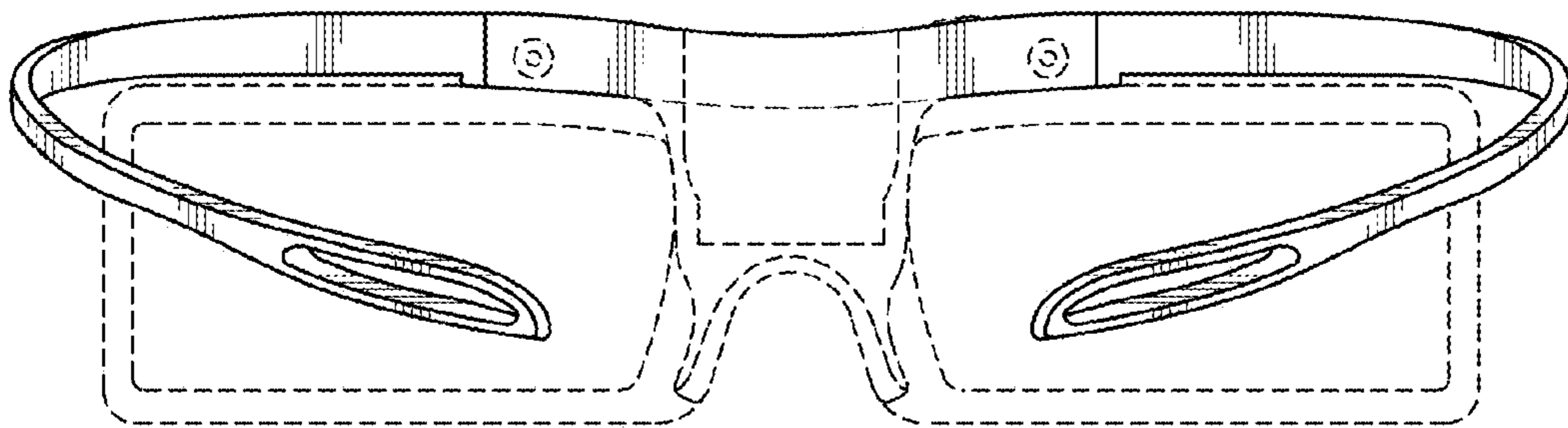


FIG. 3

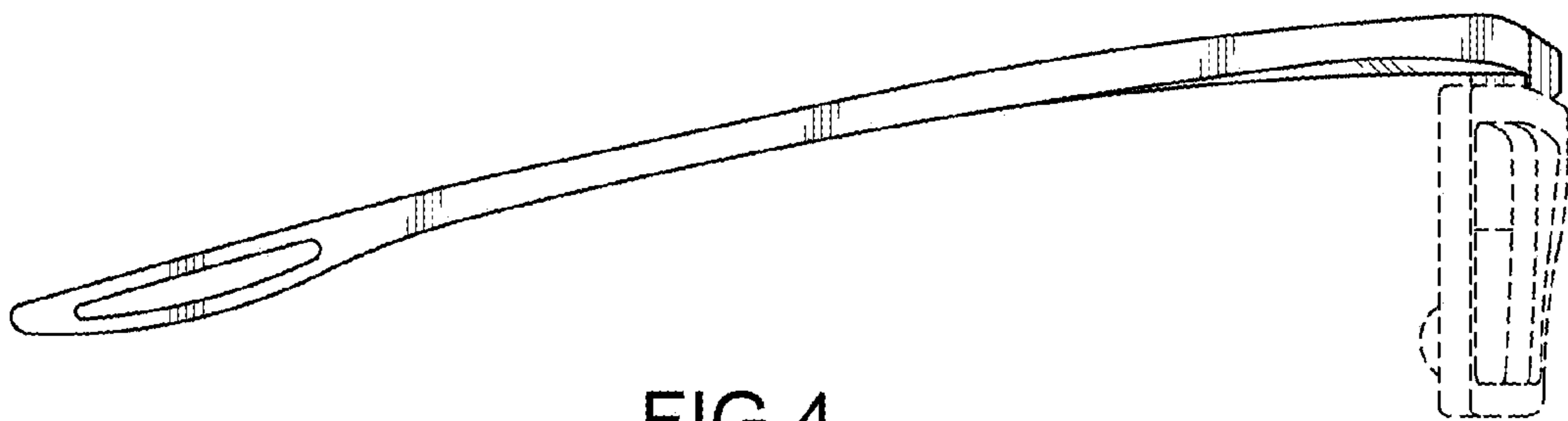


FIG. 4

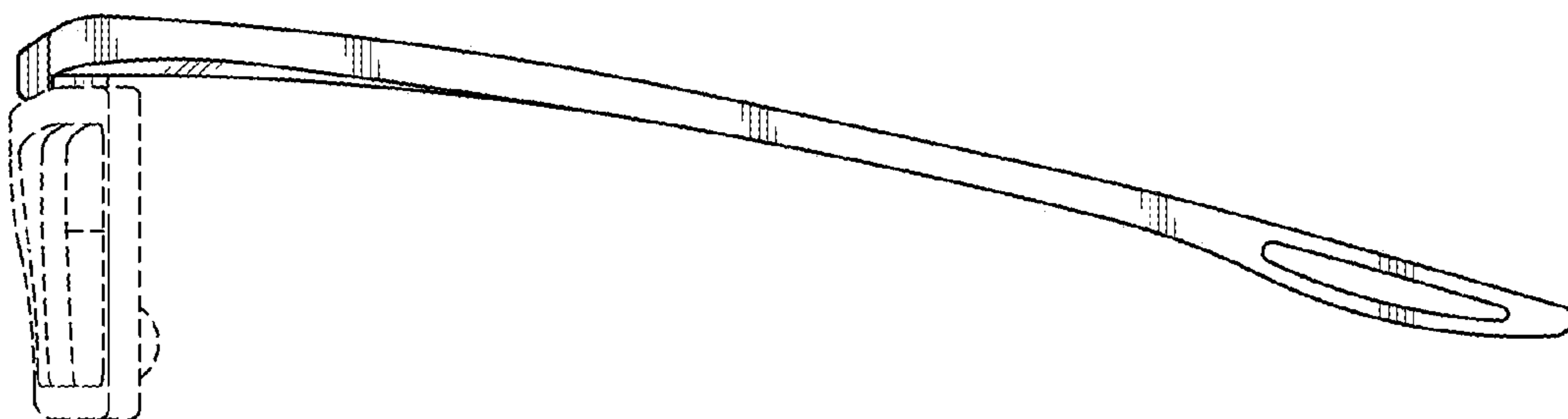


FIG. 5

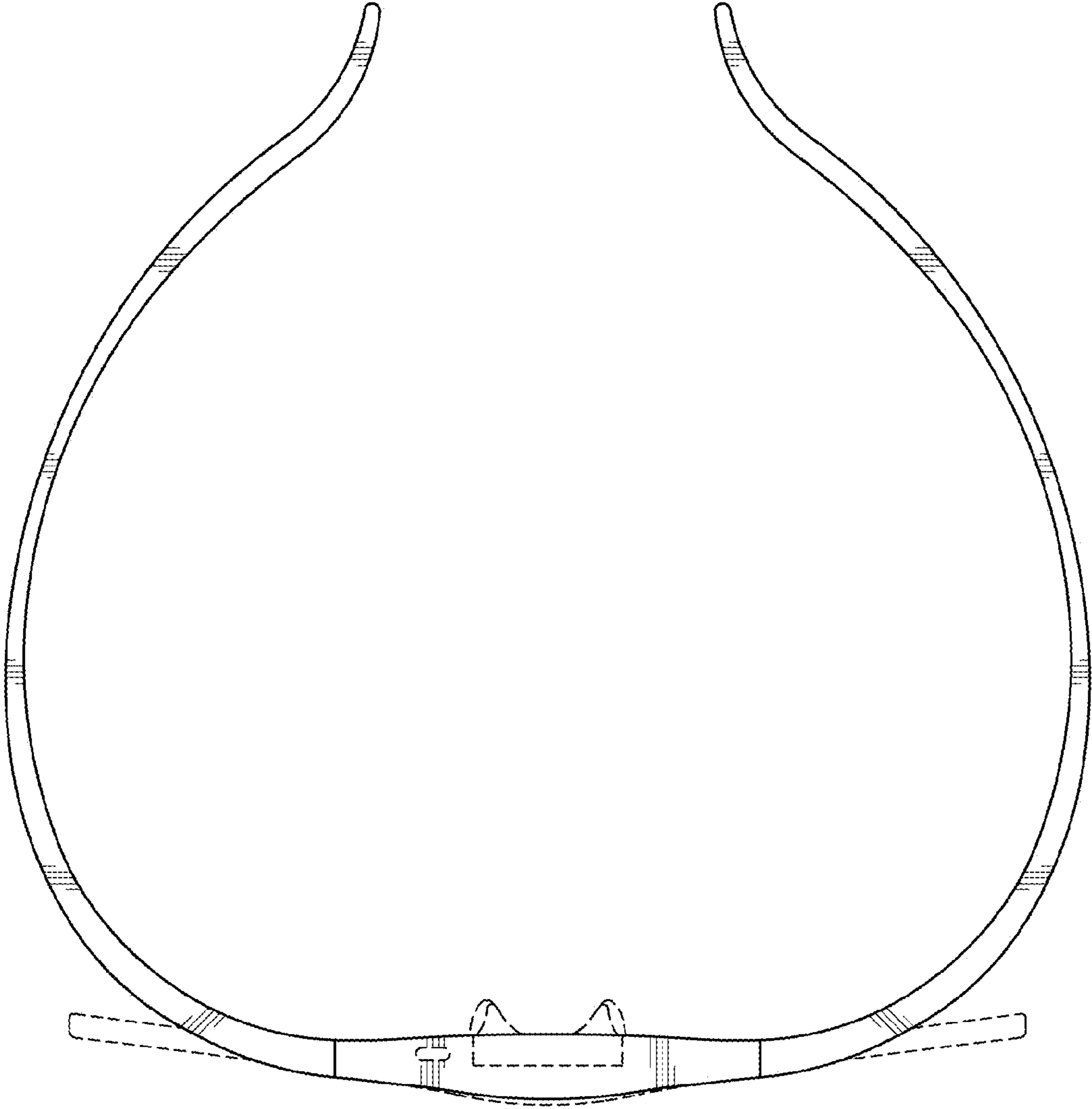


FIG.6

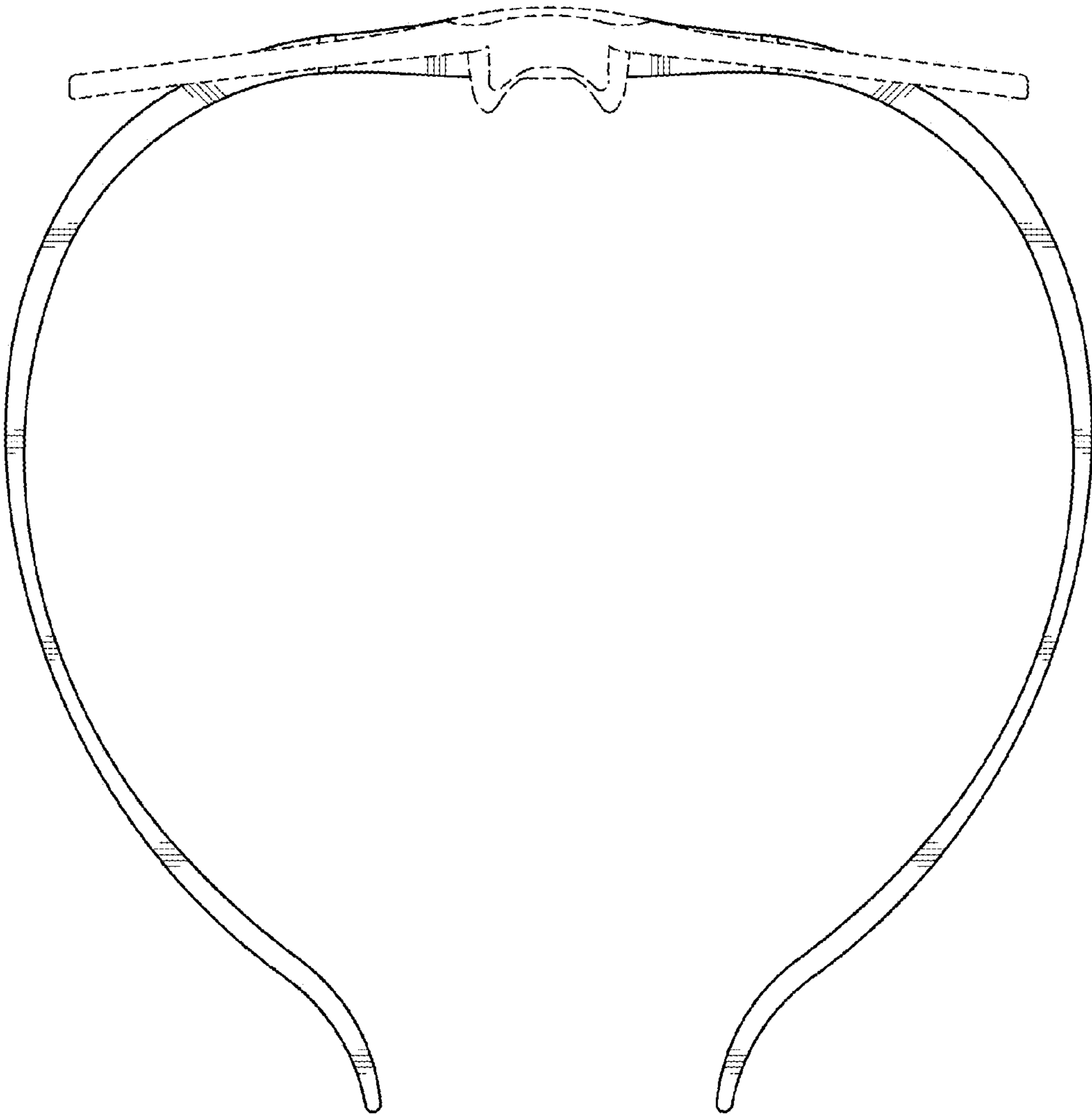


FIG.7

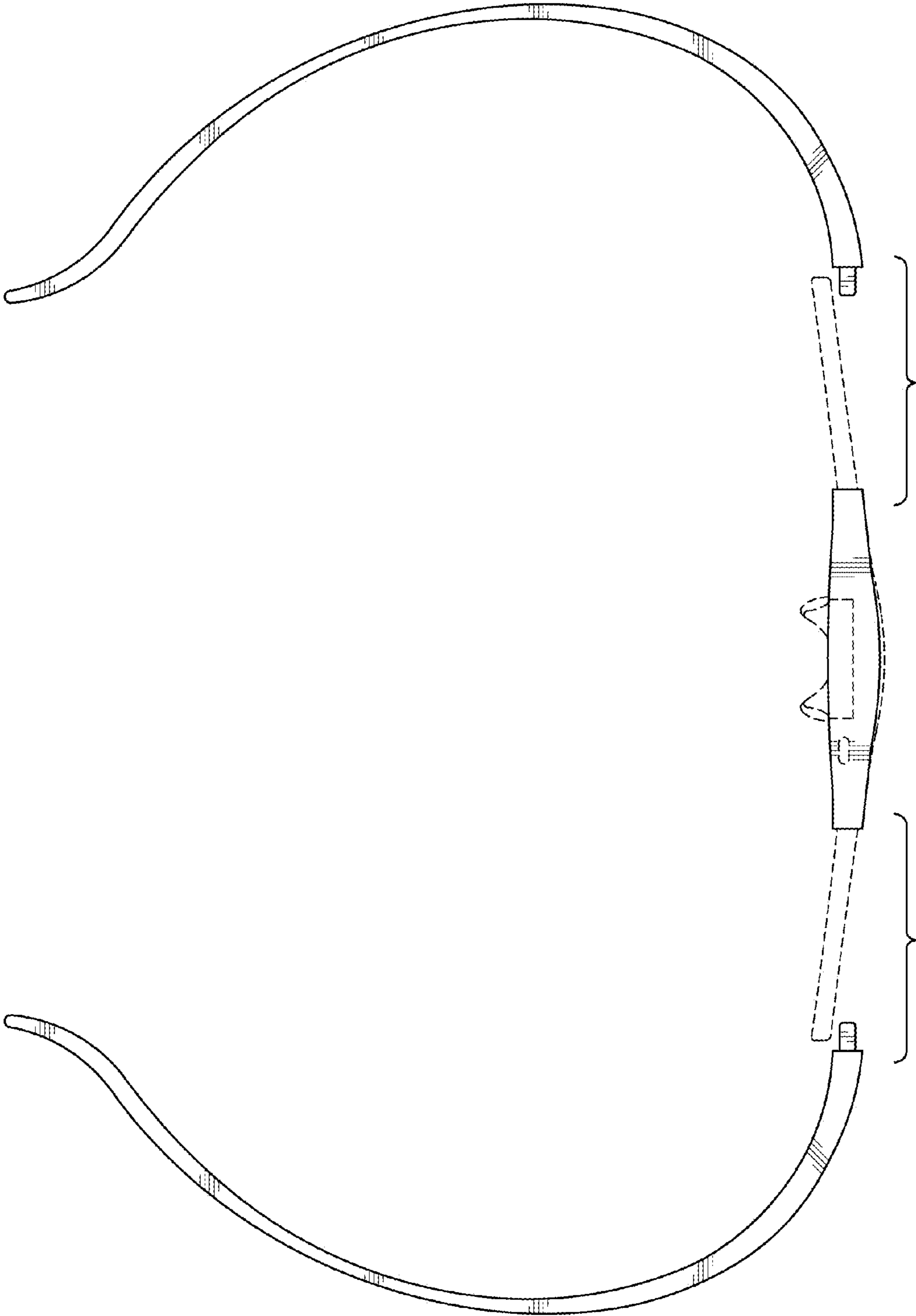


FIG.8