

US00D701553S

(12) **United States Design Patent**
Sanhui

(10) **Patent No.:** **US D701,553 S**
(45) **Date of Patent:** **** Mar. 25, 2014**

- (54) **FLASH FOR DIGITAL CAMERA**
- (75) Inventor: **Oh Sanhui**, Seoul (KR)
- (73) Assignee: **Samsung Electronics Co., Ltd.**,
Gyeonggi-do (KR)
- (**) Term: **14 Years**
- (21) Appl. No.: **29/425,917**
- (22) Filed: **Jun. 28, 2012**
- (51) **LOC (10) Cl.** **16-05**
- (52) **U.S. Cl.**
USPC **D16/239**
- (58) **Field of Classification Search**
USPC D16/237, 239, 240; 362/3, 16, 17, 18;
396/155, 171, 180, 182
See application file for complete search history.

(56) **References Cited**

U.S. PATENT DOCUMENTS

D241,273	S	*	8/1976	Okuno et al.	D16/240
D244,687	S	*	6/1977	Tsugami	D16/239
4,078,240	A	*	3/1978	Kaneko et al.	396/159
4,190,880	A	*	2/1980	Esaki	362/18
D263,720	S	*	4/1982	Takematsu	D16/240
4,382,666	A	*	5/1983	Ohtaki et al.	362/5
D271,306	S	*	11/1983	Shull	D16/240

D273,013	S	*	3/1984	Takematsu	D16/240
D303,266	S	*	9/1989	Kato	D16/239
D342,753	S	*	12/1993	Haga	D16/239
D453,351	S	*	2/2002	Kitera	D16/240
D562,875	S	*	2/2008	Kitera	D16/240
2007/0047944	A1	*	3/2007	Hayashi et al.	396/155

* cited by examiner

Primary Examiner — Philip S Hyder

Assistant Examiner — Darlington Ly

(74) *Attorney, Agent, or Firm* — Harness, Dickey & Pierce, P.L.C.

(57) **CLAIM**

I claim the ornamental design for a flash for digital camera, as shown and described.

DESCRIPTION

FIG. 1 is a front, right-side, top perspective view of a flash for digital camera showing our new design;
 FIG. 2 is a front elevational view thereof;
 FIG. 3 is a rear elevational view thereof;
 FIG. 4 is a left-side elevational view thereof;
 FIG. 5 is a right-side elevational view thereof;
 FIG. 6 is a top plan view thereof; and,
 FIG. 7 is a bottom plan view thereof.

The broken lines illustrate portions of the flash for digital camera that forms no part of claimed design.

1 Claim, 7 Drawing Sheets

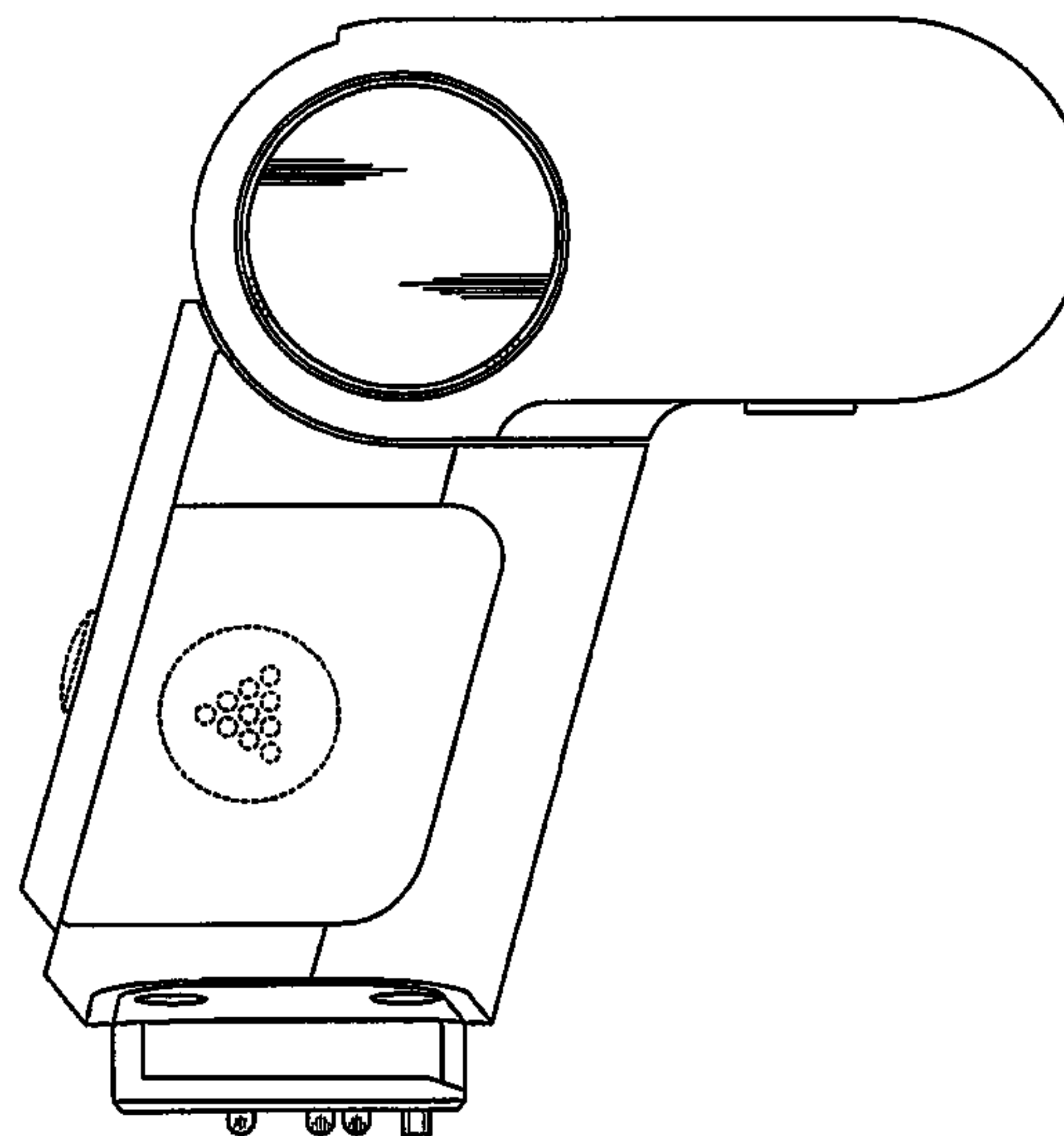
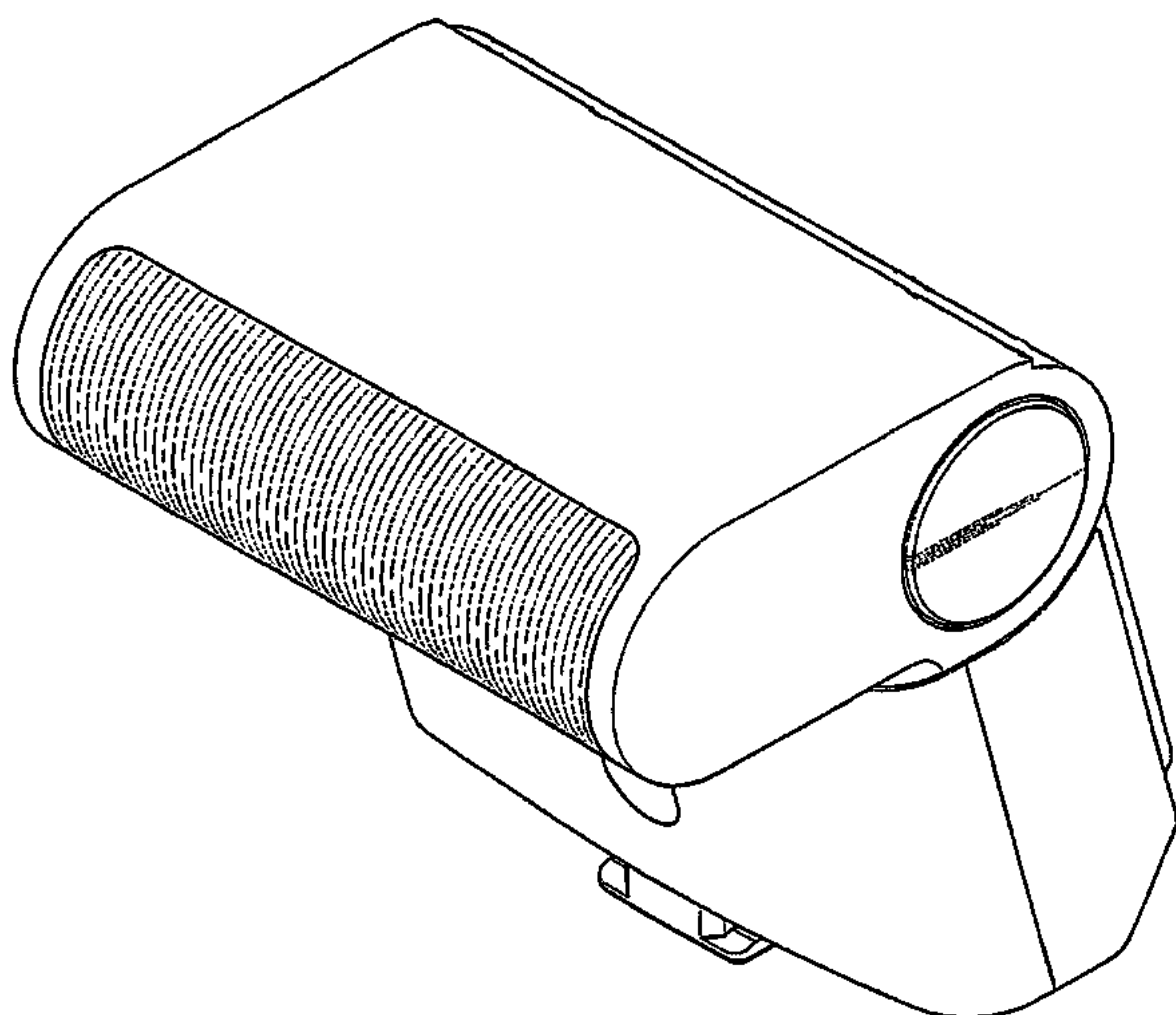


FIG. 1

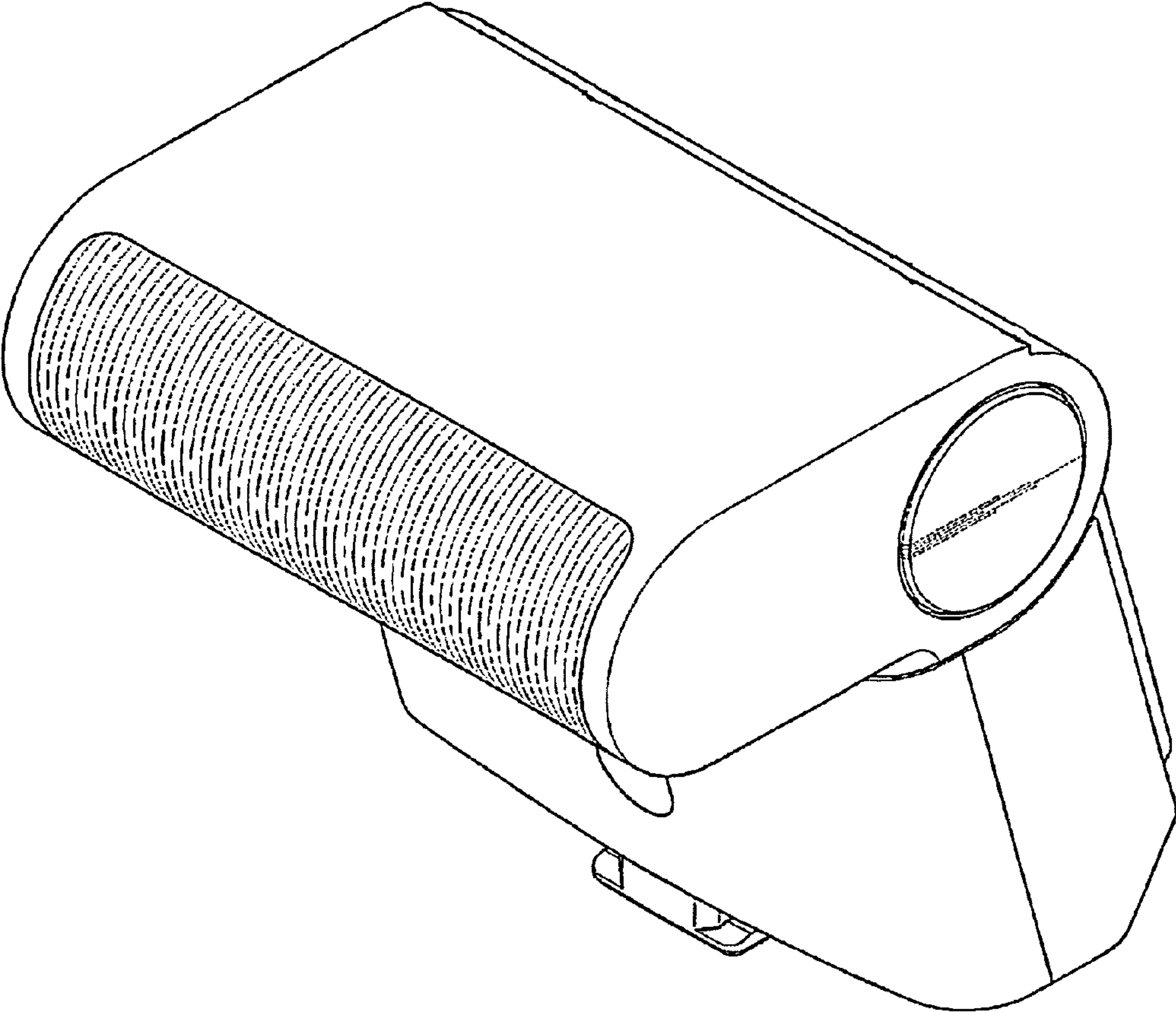


FIG. 2

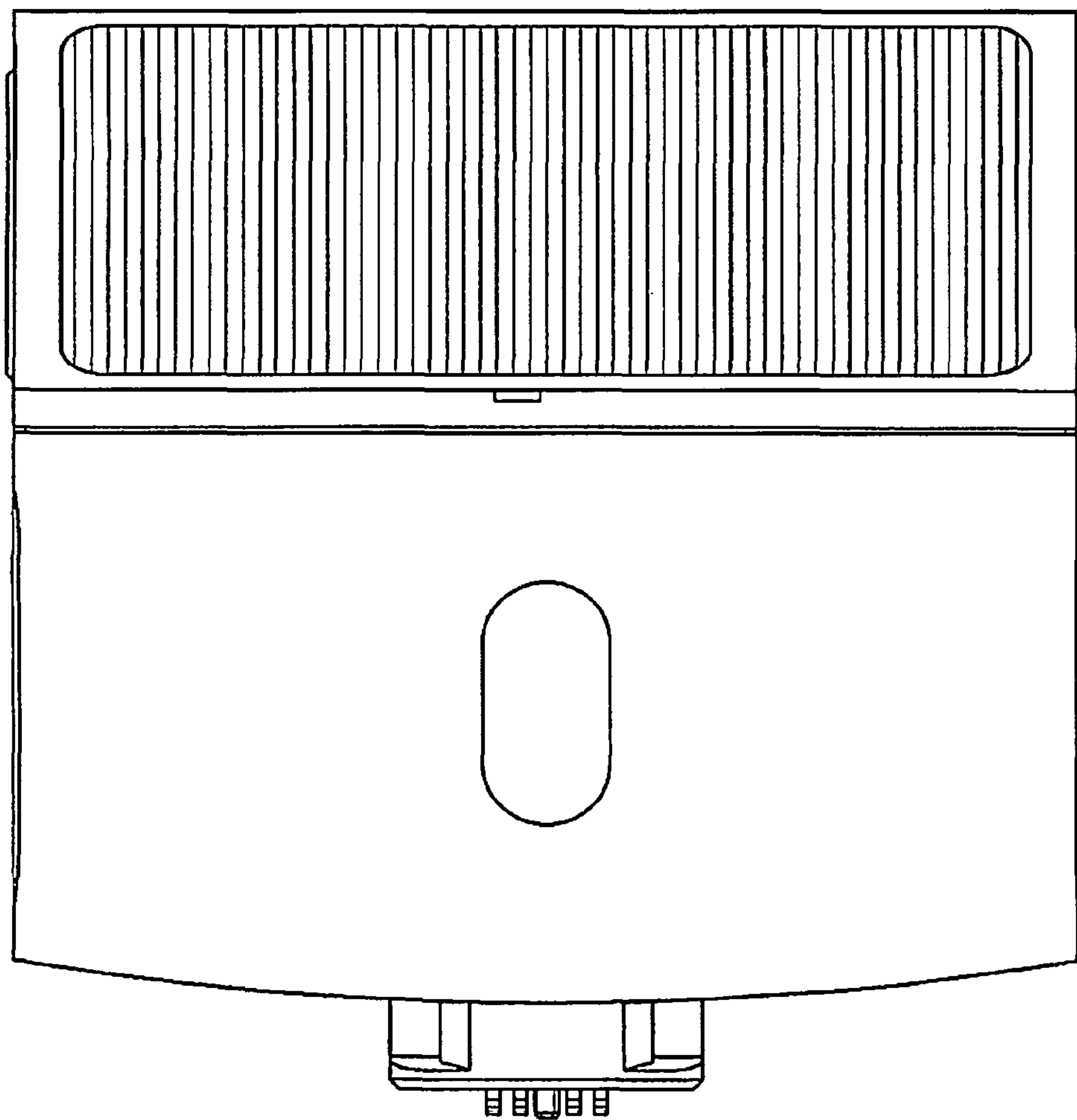


FIG. 3

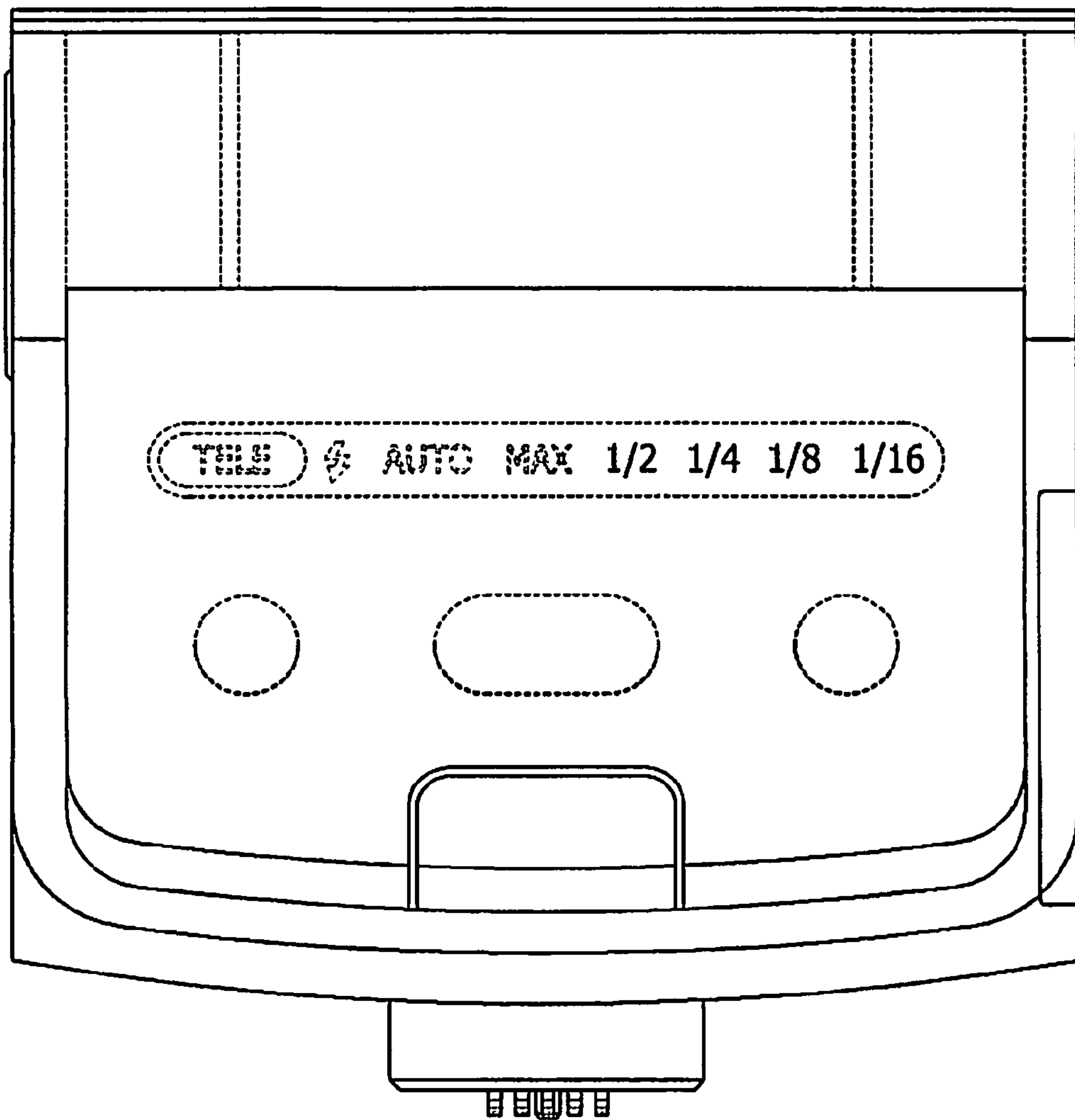


FIG. 4

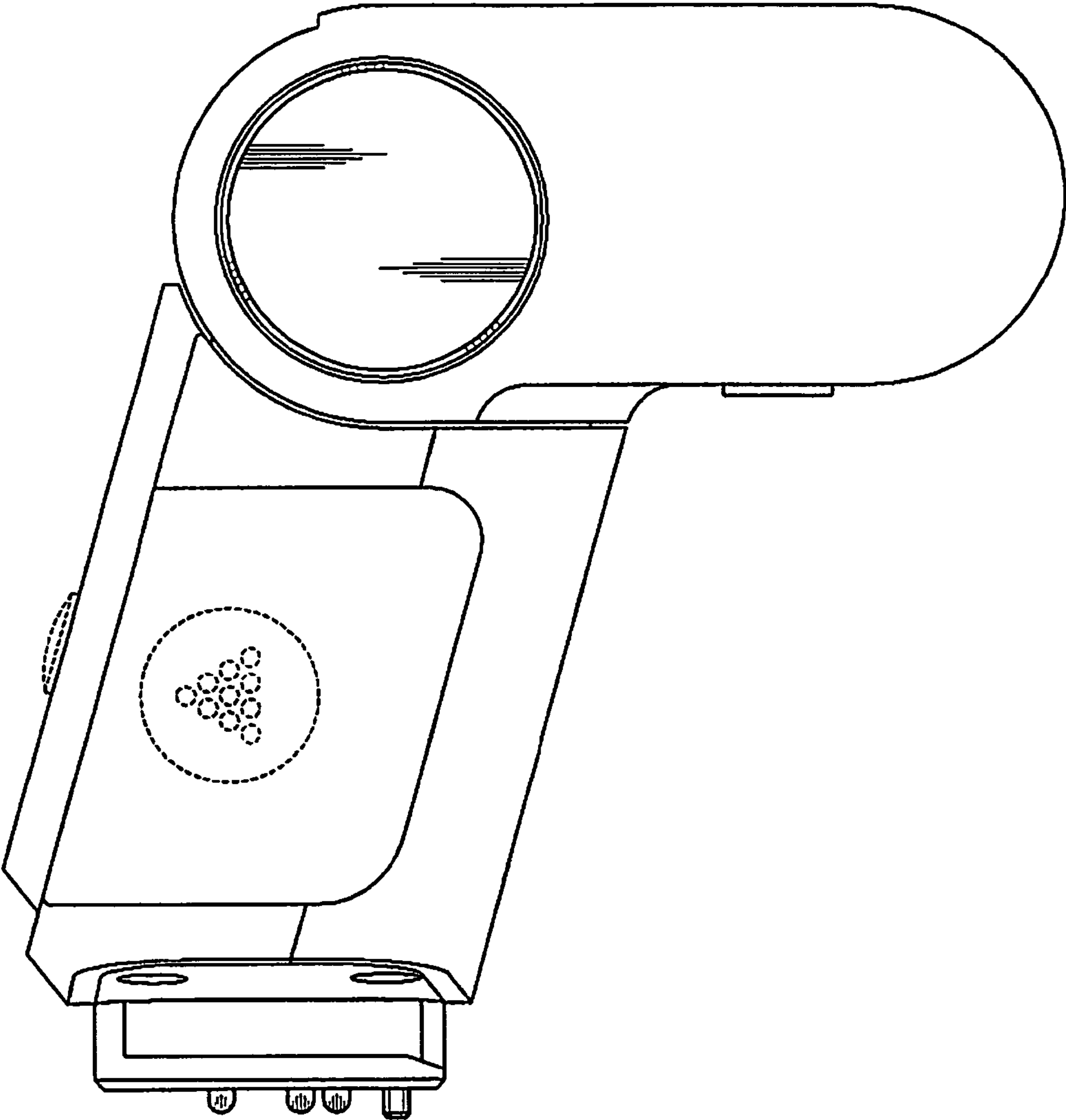


FIG. 5

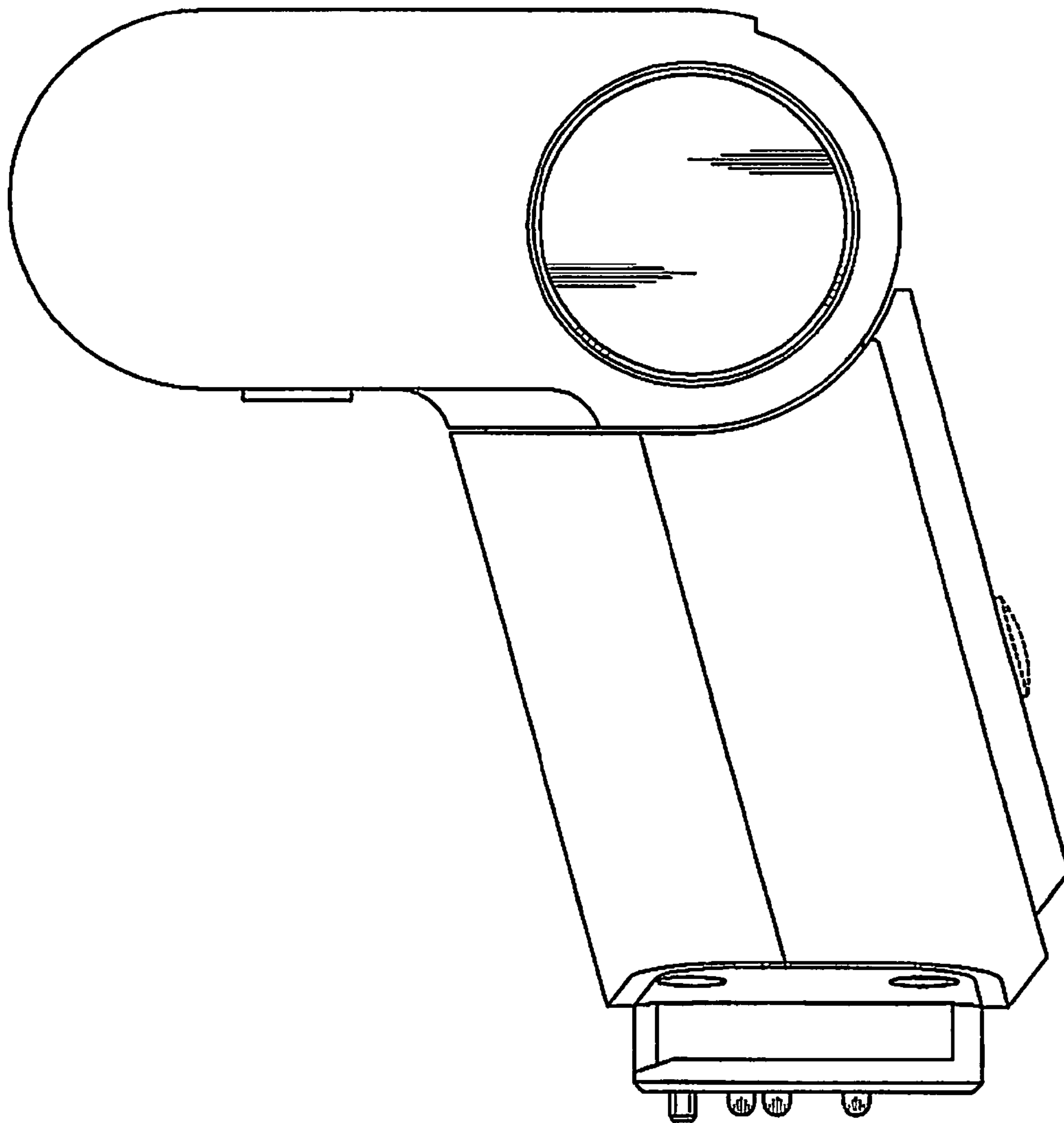


FIG. 6

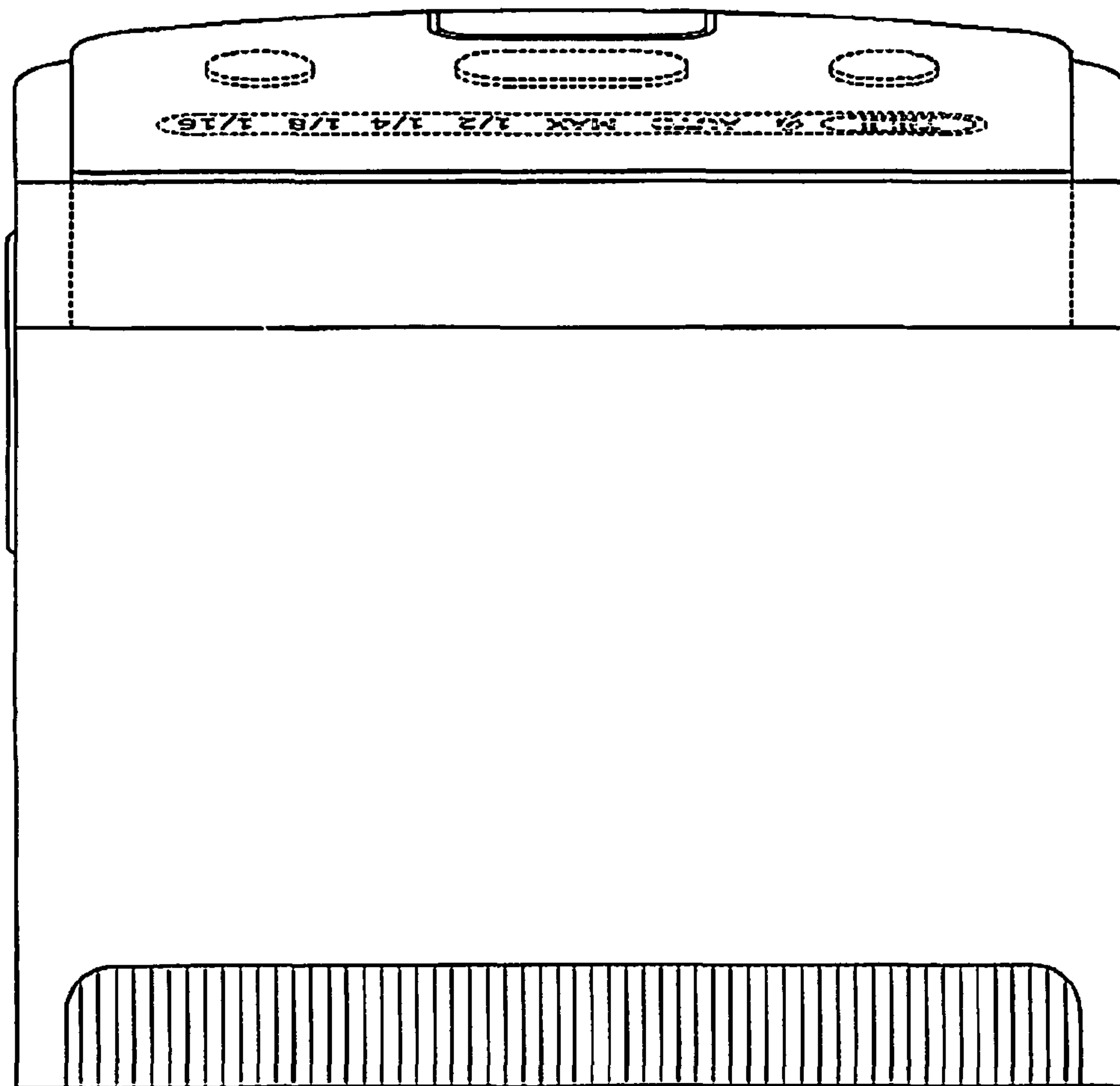


FIG. 7

