



US00D701552S

(12) **United States Design Patent**
Hibl et al.

(10) **Patent No.:** **US D701,552 S**
(45) **Date of Patent:** **** Mar. 25, 2014**

(54) **CAMERA**

(75) Inventors: **Keita Hibl**, Tokyo (JP); **Noriaki Takagi**, Tokyo (JP)

(73) Assignee: **Sony Corporation**, Tokyo (JP)

(**) Term: **14 Years**

(21) Appl. No.: **29/371,747**

(22) Filed: **Aug. 23, 2011**

Related U.S. Application Data

(63) Continuation-in-part of application No. 29/371,149, filed on Oct. 29, 2010, now Pat. No. Des. 648,363.

(30) **Foreign Application Priority Data**

- May 10, 2010 (JP) D2010-011351
- May 10, 2010 (JP) D2010-011353
- May 10, 2010 (JP) D2010-011354
- May 10, 2010 (JP) D2010-011359
- May 10, 2010 (JP) D2010-011360
- May 10, 2010 (JP) D2010-011363
- May 10, 2010 (JP) D2010-011365
- May 10, 2010 (JP) D2010-011366
- May 10, 2010 (JP) D2010-011369
- May 10, 2010 (JP) D2010-011370

(51) **LOC (10) Cl.** **16-05**

(52) **U.S. Cl.**
USPC **D16/219**; D16/134

(58) **Field of Classification Search**
USPC D16/134, 136, 200, 204, 217, 218, 219;
348/373-374; 359/814, 815, 819,
359/826-828; 396/529, 531, 535

See application file for complete search history.

(56) **References Cited**

U.S. PATENT DOCUMENTS

- 5,384,614 A 1/1995 Hasuda
- D388,109 S * 12/1997 Kimura et al. D16/217
- 6,089,761 A 7/2000 Sakurai
- D442,614 S 5/2001 Sumita
- D444,161 S 6/2001 Nakamura
- 6,545,825 B2 4/2003 Shoji et al.

(Continued)

FOREIGN PATENT DOCUMENTS

- JP D1249235 S 8/2008
- JP D1249520 S 8/2008

(Continued)

Primary Examiner — Adir Aronovich

(74) *Attorney, Agent, or Firm* — Rader, Fishman & Grauer PLLC

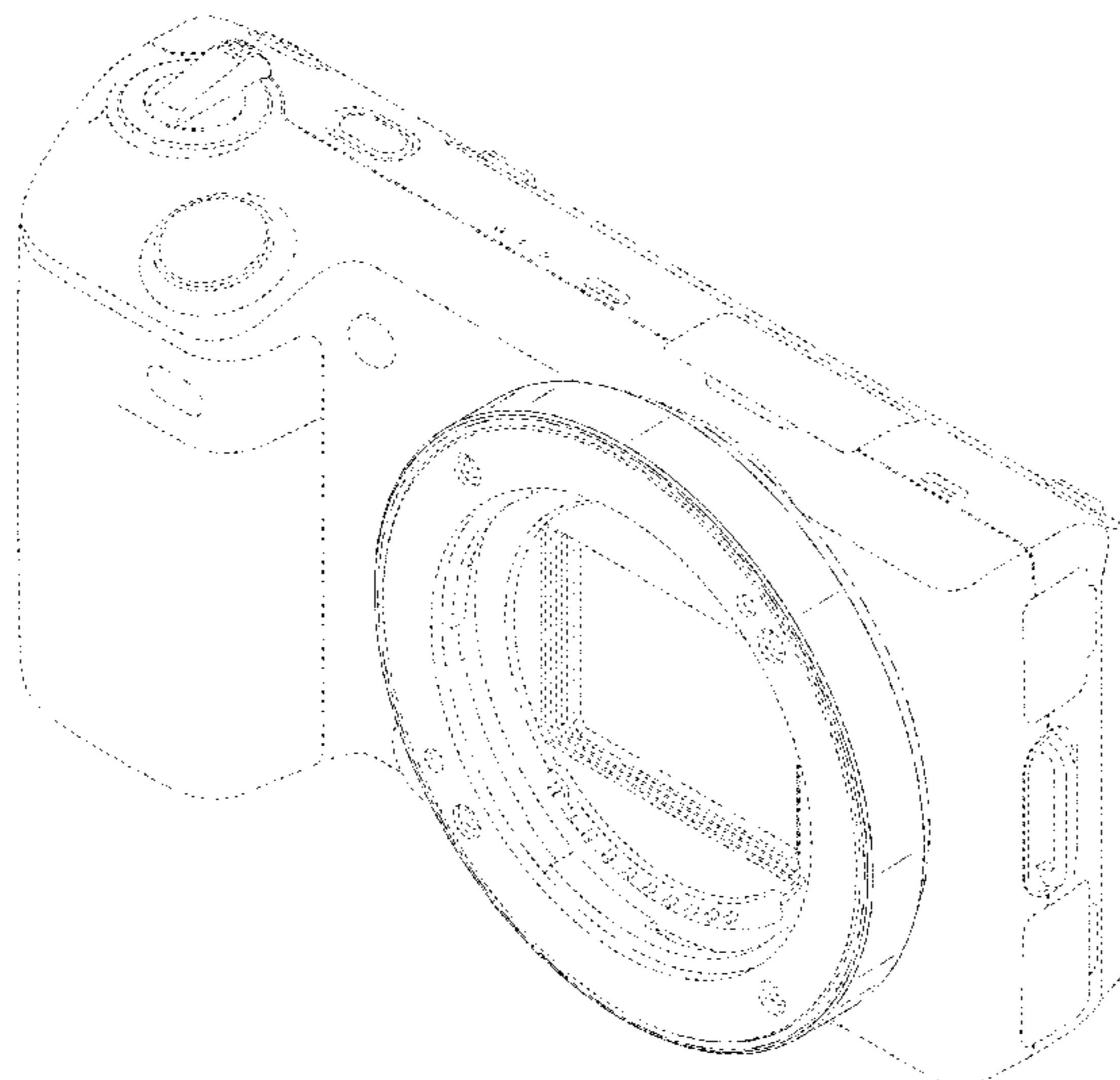
(57) **CLAIM**

The ornamental design for a camera, as shown and described.

DESCRIPTION

FIG. 1 is a perspective view of a first embodiment of a camera showing our new design;
 FIG. 2 is a front elevational view thereof;
 FIG. 3 is a rear elevational view thereof;
 FIG. 4 is a left side elevational view thereof;
 FIG. 5 is a right side elevational view thereof;
 FIG. 6 is a top plan view thereof; and
 FIG. 7 is a bottom plan view thereof.
 FIG. 8 is a perspective view of a second embodiment of a camera showing our new design;
 FIG. 9 is a front elevational view thereof;
 FIG. 10 is a left side elevational view thereof;
 FIG. 11 is a right side elevational view thereof;
 FIG. 12 is a top plan view thereof; and,
 FIG. 13 is a bottom plan view thereof.
 Portions in broken lines are for illustrative purposes only and form no part of the claimed design. Dot-dash lines define the boundaries of, but not included in, the claimed design.

1 Claim, 9 Drawing Sheets



(56)

References Cited

U.S. PATENT DOCUMENTS

D487,104 S 2/2004 Obata
D528,579 S 9/2006 Yasutomi
D538,324 S 3/2007 Masamitsu et al.
D542,323 S 5/2007 Takagi
D546,859 S 7/2007 Ishii
D546,863 S 7/2007 Ito et al.
D555,693 S 11/2007 Tokiwa et al.
D562,374 S 2/2008 Miyashita
D566,149 S 4/2008 Sumita
D567,835 S 4/2008 Sumita
D577,757 S 9/2008 Sumita
D597,579 S 8/2009 Obata
D600,235 S 9/2009 Wada
D600,265 S 9/2009 Miyashita

D600,734 S 9/2009 Yamagishi
D604,249 S 11/2009 Mancini
D604,349 S 11/2009 Miyashita
D605,679 S 12/2009 Hayashi
7,690,852 B2 4/2010 Kato et al.
D644,679 S * 9/2011 Woodman D16/219
D648,363 S * 11/2011 Takagi et al. D16/219
D669,930 S * 10/2012 Koyama et al. D16/219

FOREIGN PATENT DOCUMENTS

JP D1249522 S 8/2008
JP D1249523 S 8/2008
JP D1249524 S 8/2008
JP D1265541 S 2/2009
JP D1274348 S 5/2009

* cited by examiner

FIG. 1

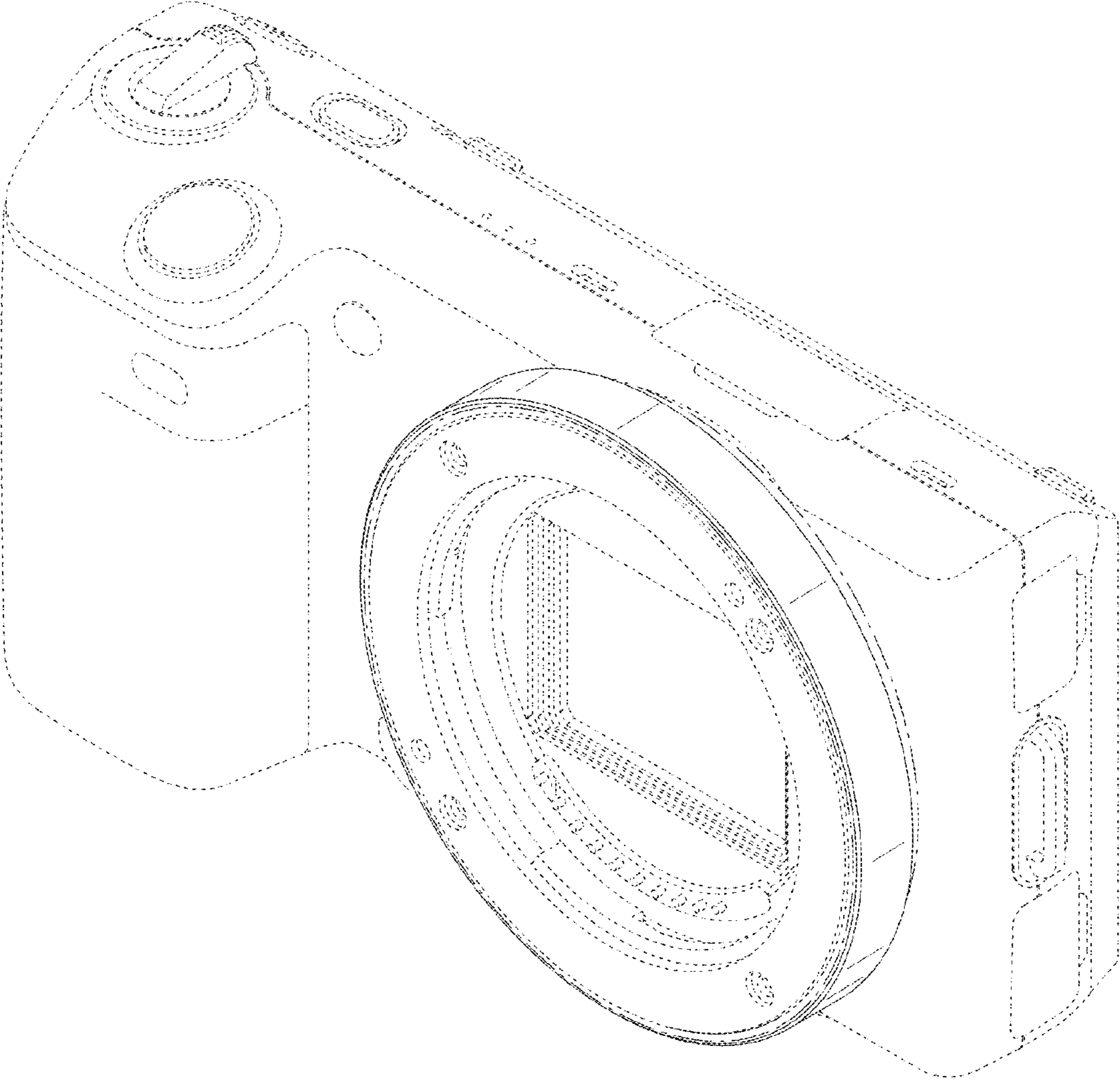


FIG.2

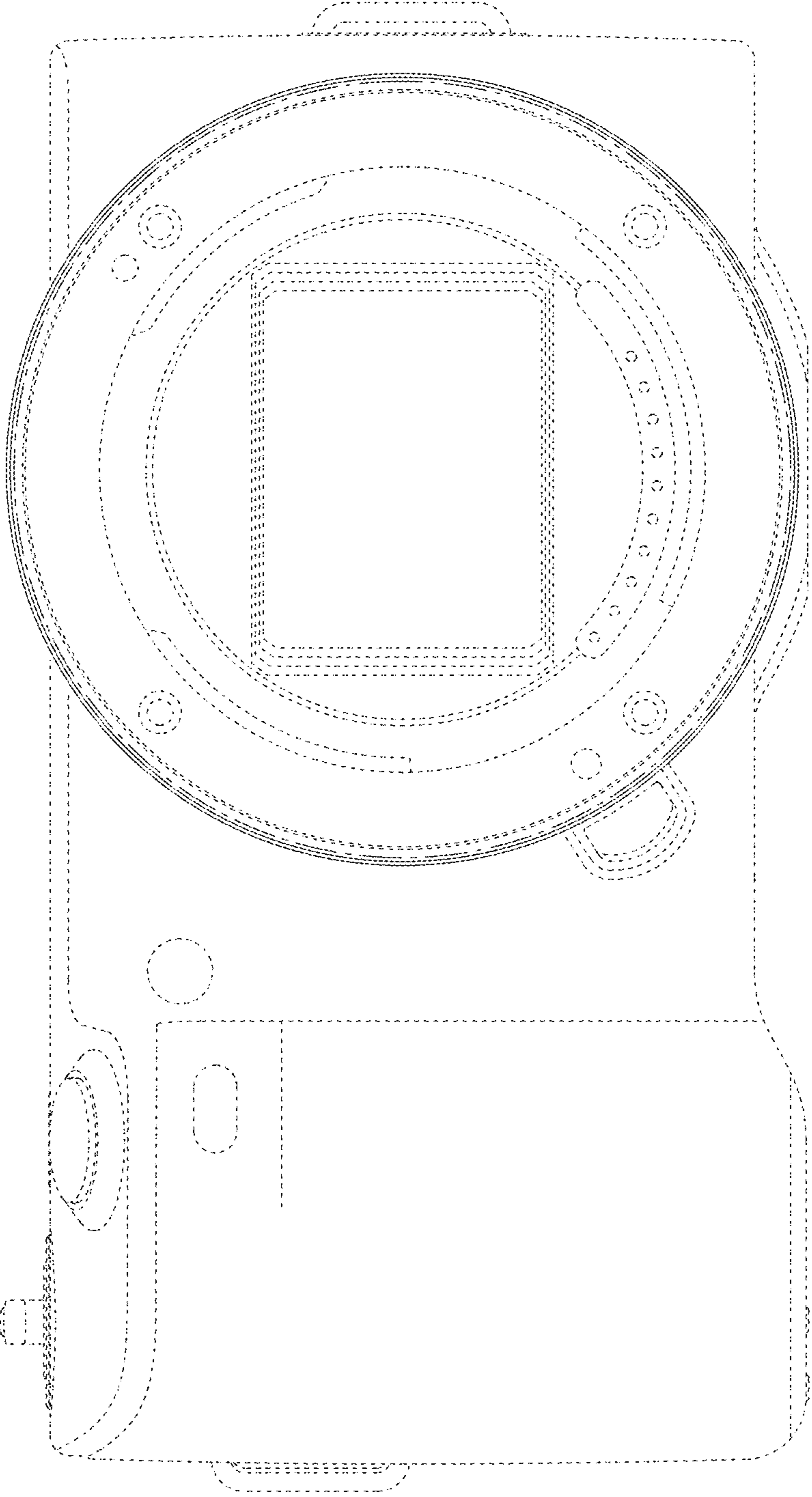


FIG. 3

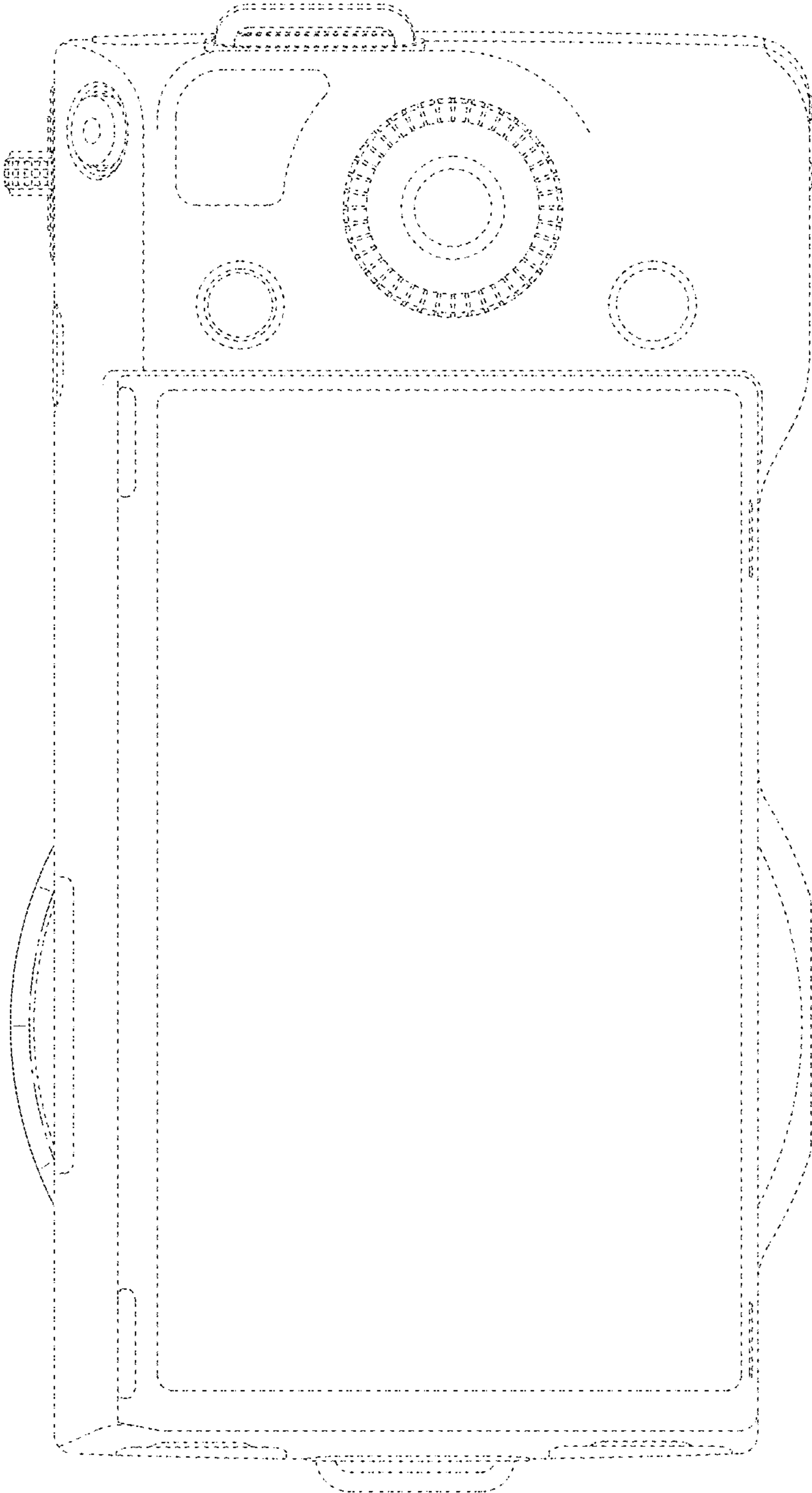


FIG.4

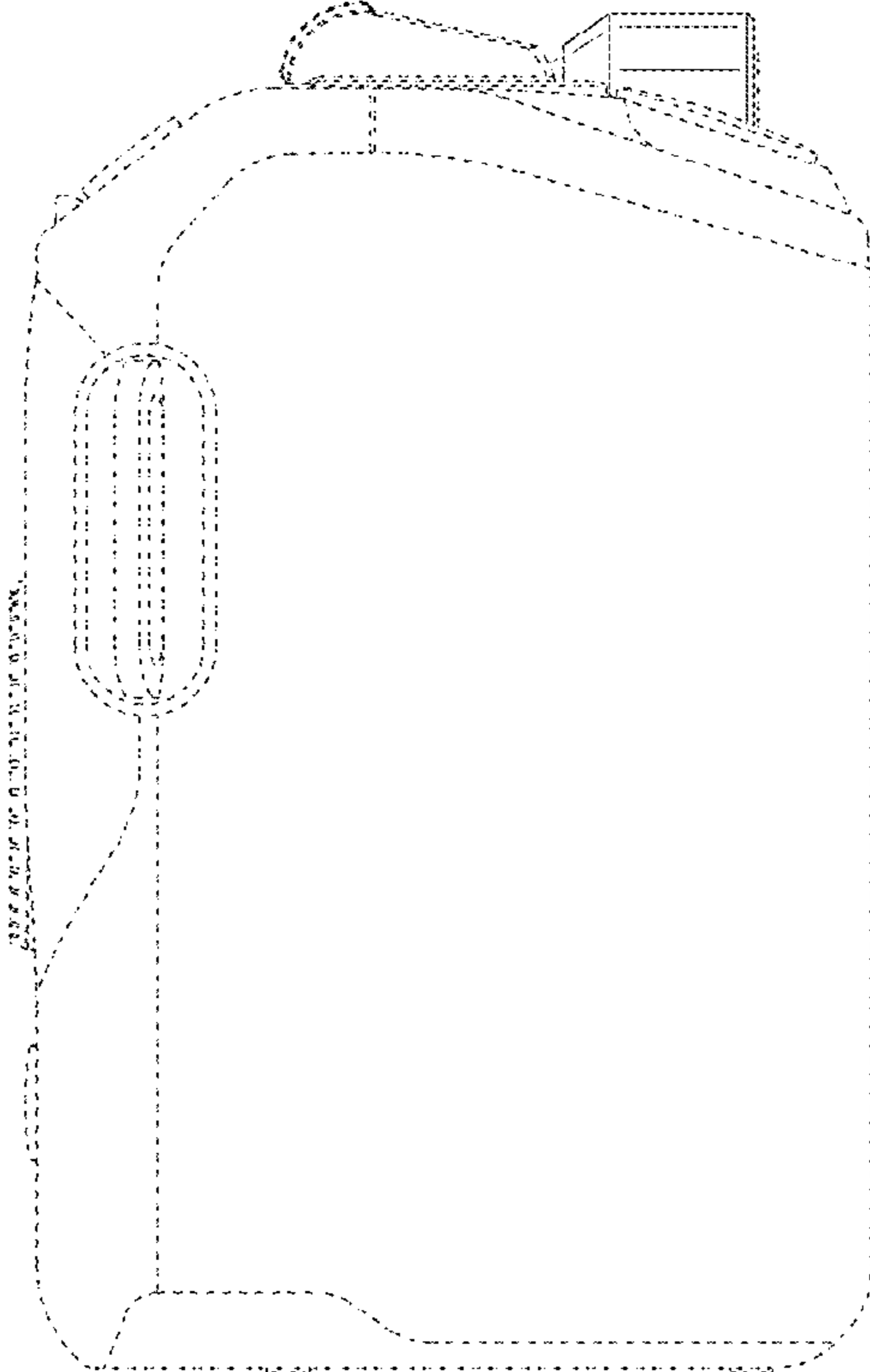
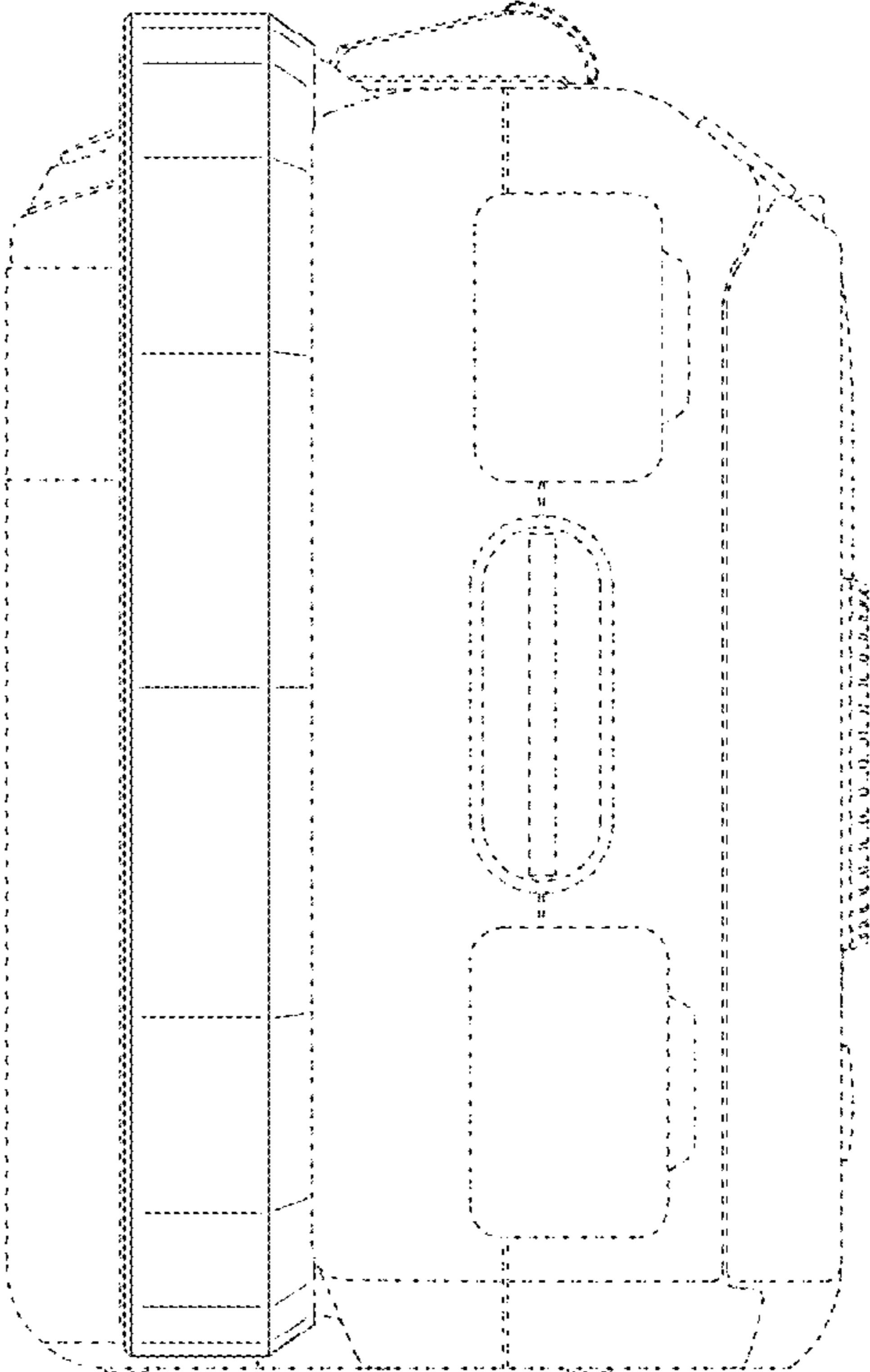


FIG.5



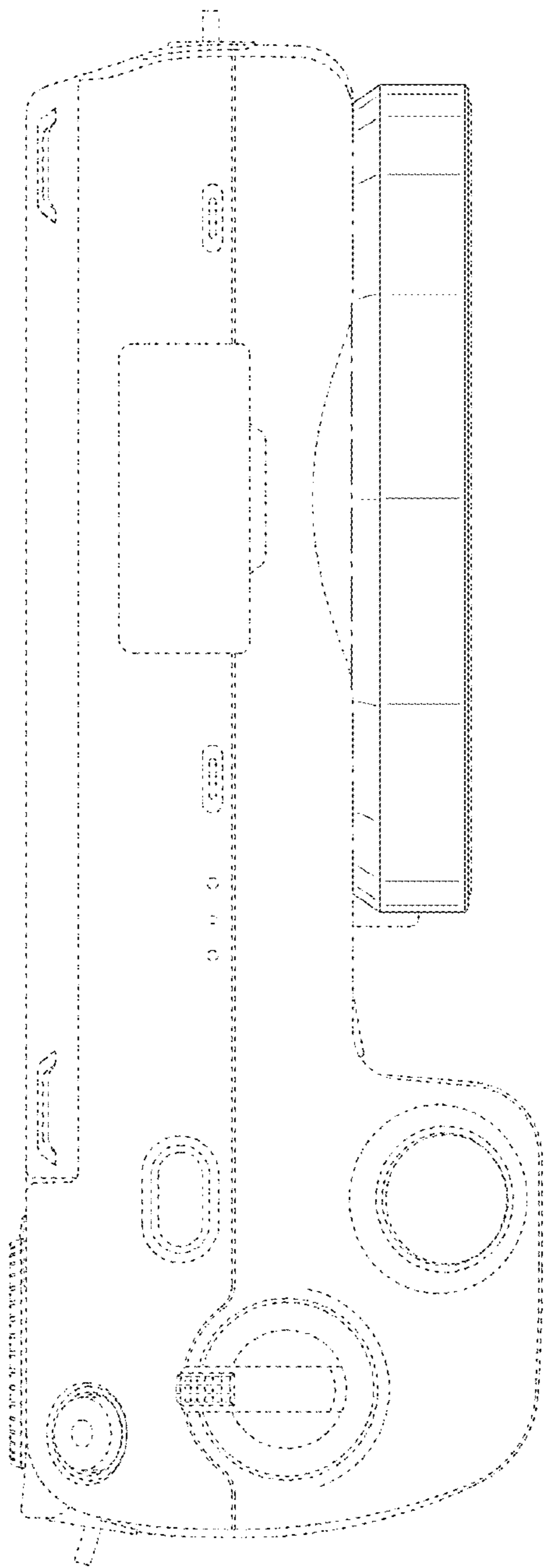


FIG. 6

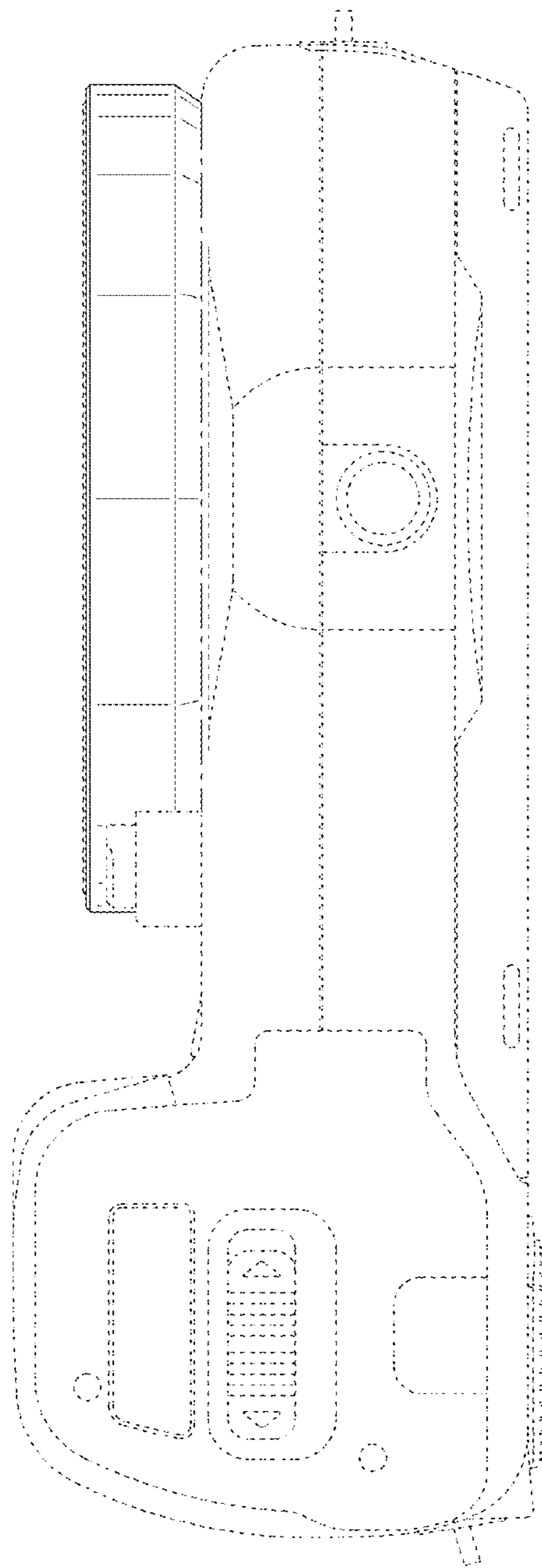


FIG. 7

FIG.8

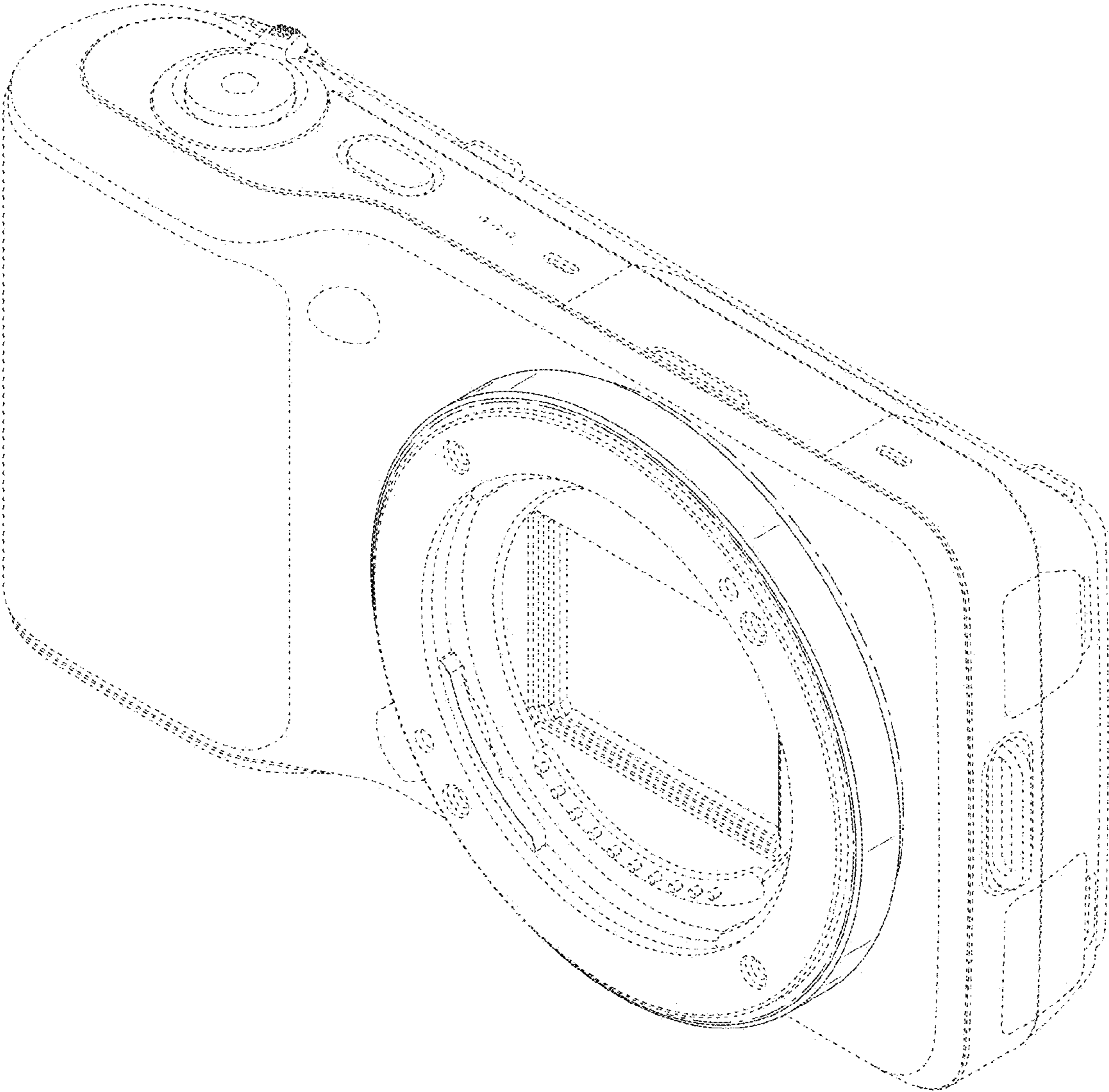


FIG.9

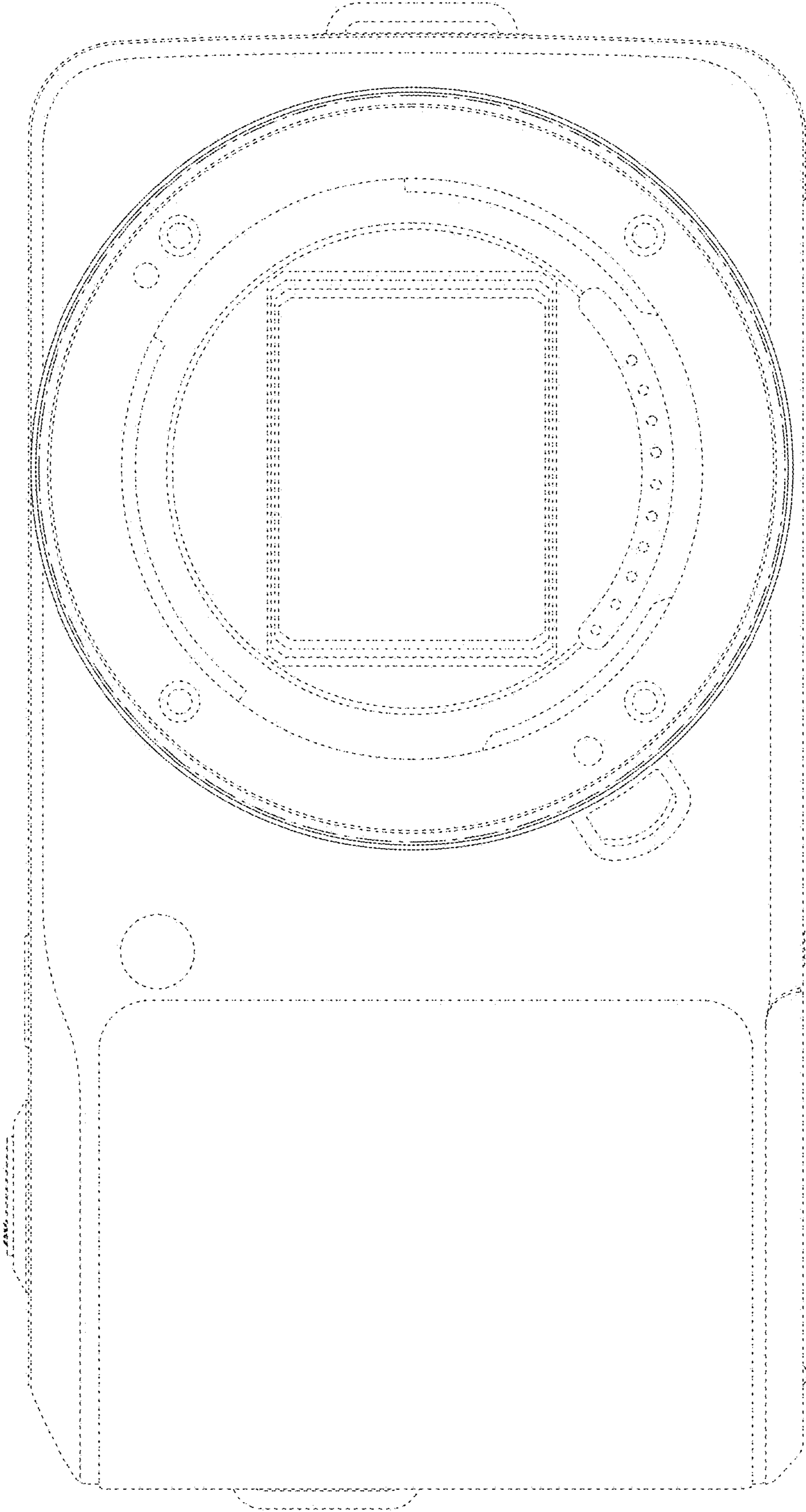


FIG.10

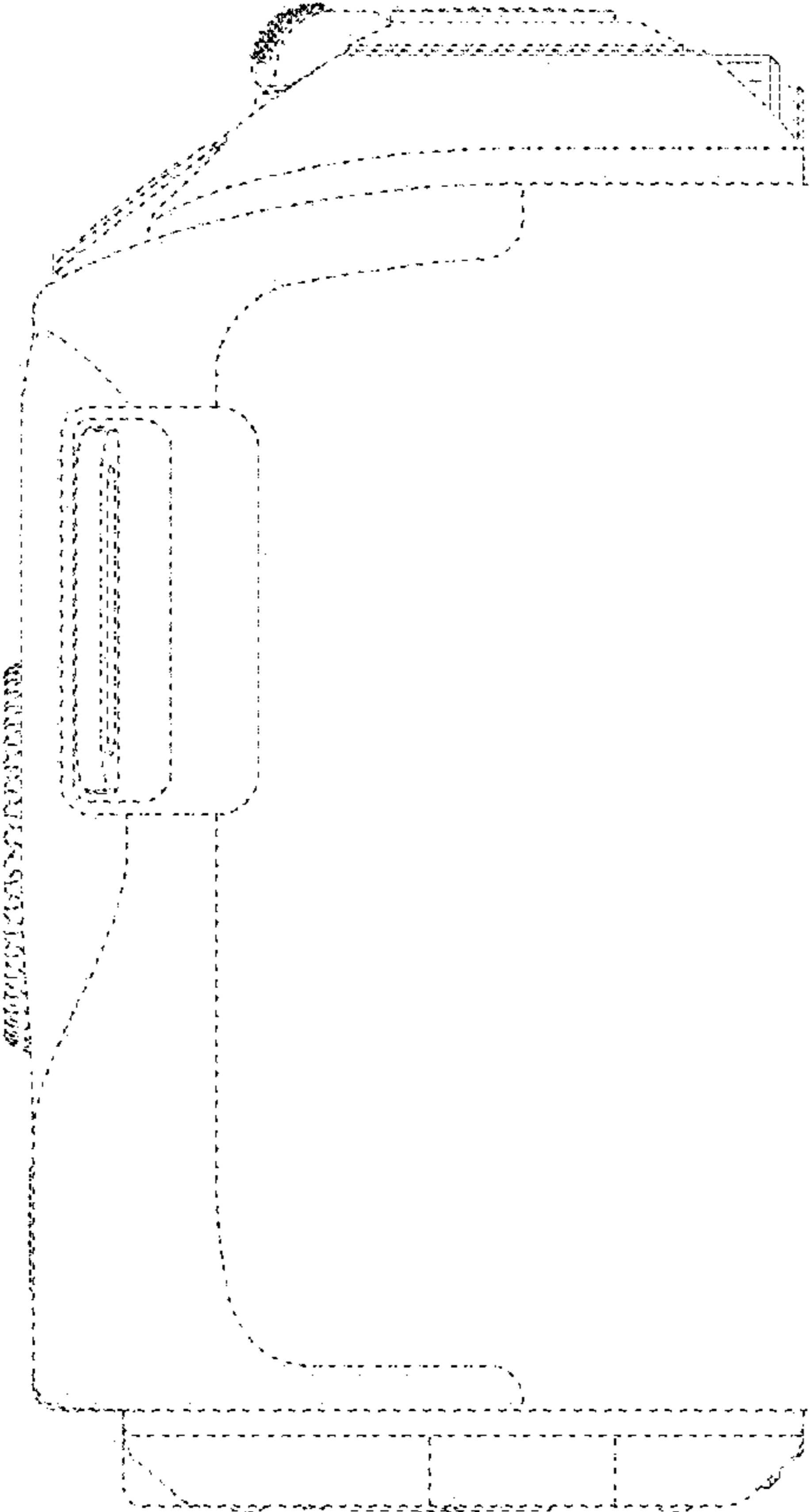
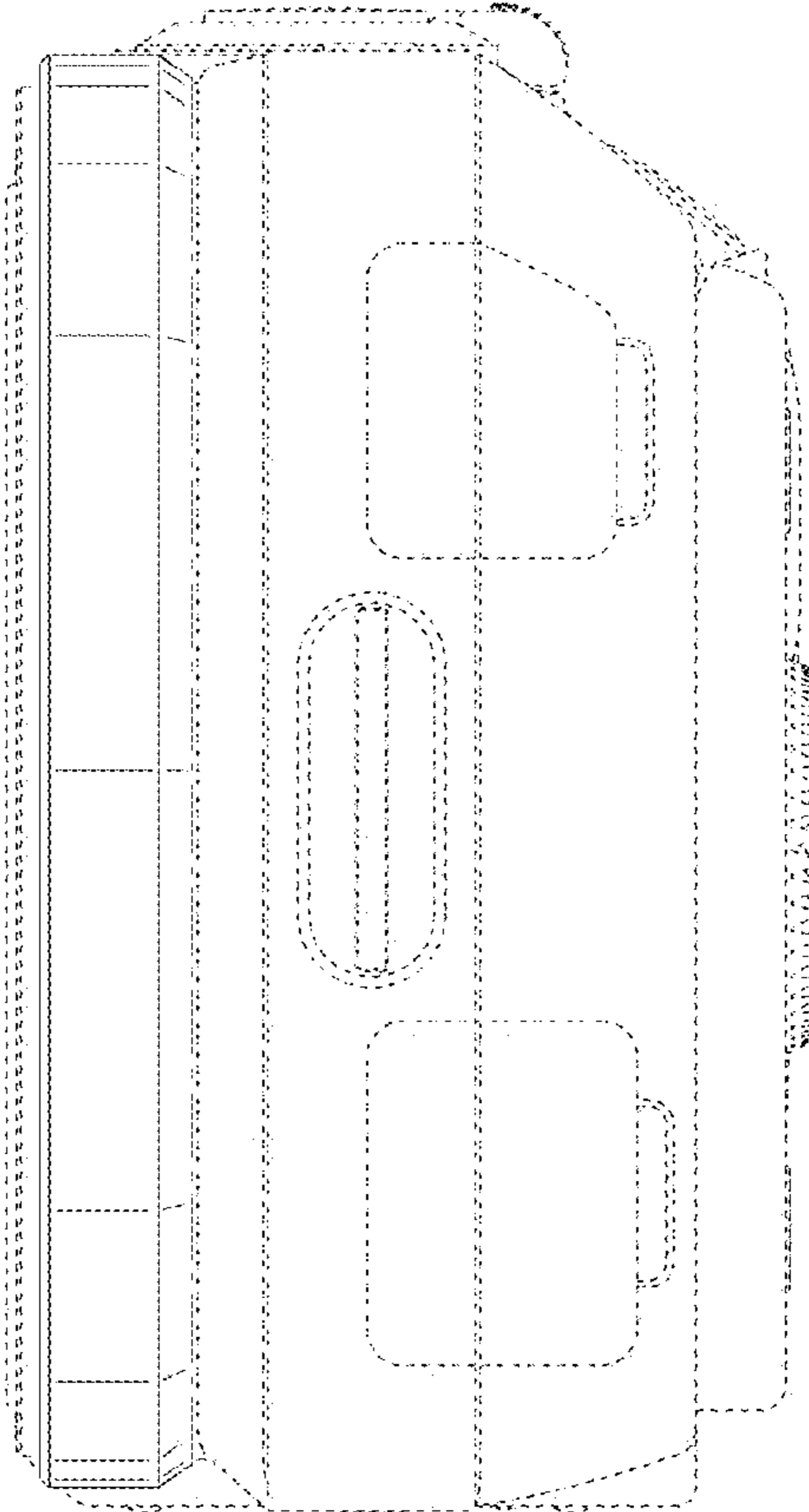


FIG.11



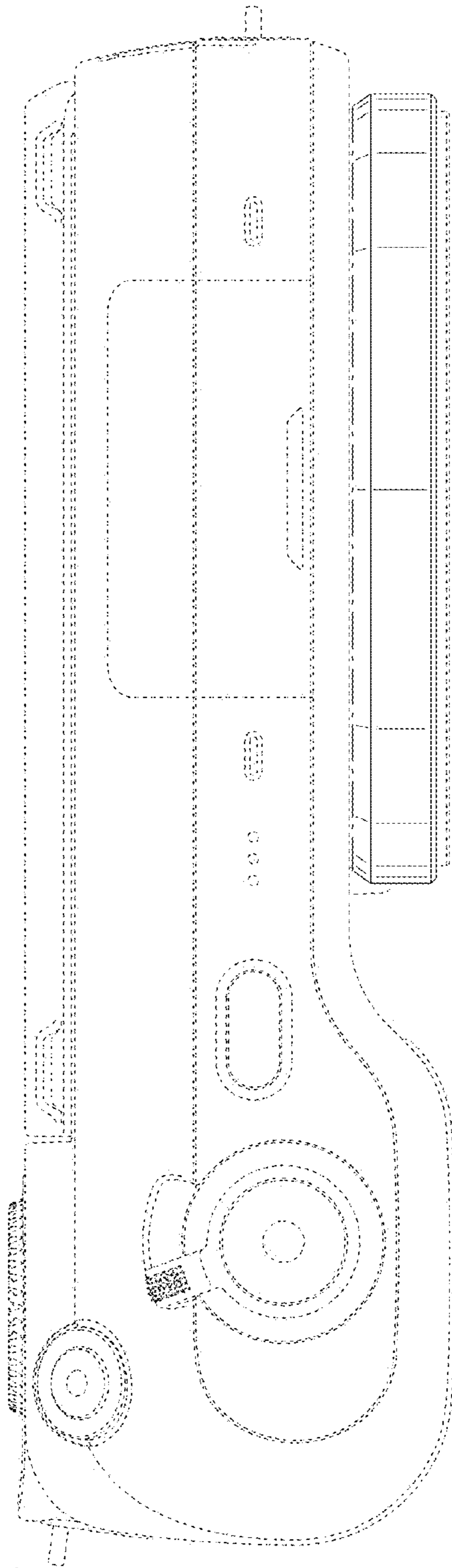


FIG.12

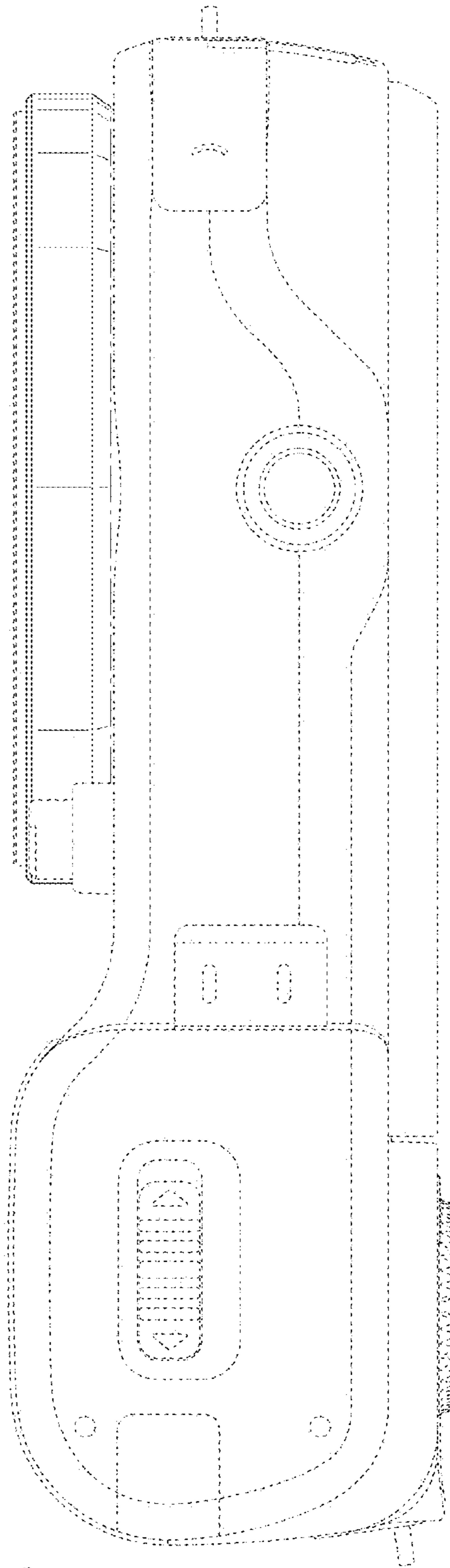


FIG.13

UNITED STATES PATENT AND TRADEMARK OFFICE
CERTIFICATE OF CORRECTION

PATENT NO. : D701,552 S
APPLICATION NO. : 29/371747
DATED : March 25, 2014
INVENTOR(S) : Keita Hibi et al.

Page 1 of 1

It is certified that error appears in the above-identified patent and that said Letters Patent is hereby corrected as shown below:

Item (75) on the title page,

“Hibi” should be listed as -- Hibi --.

Signed and Sealed this
Fourteenth Day of October, 2014



Michelle K. Lee
Deputy Director of the United States Patent and Trademark Office