



US00D701551S

(12) **United States Design Patent**  
**Inoue**

(10) **Patent No.:** **US D701,551 S**  
(45) **Date of Patent:** **\*\* Mar. 25, 2014**

(54) **DIGITAL CAMERA**

(71) Applicant: **Nikon Corporation**, Tokyo (JP)

(72) Inventor: **Shiki Inoue**, Tokyo (JP)

(73) Assignee: **Nikon Corporation**, Tokyo (JP)

(\*\*) Term: **14 Years**

(21) Appl. No.: **29/445,793**

(22) Filed: **Feb. 15, 2013**

(30) **Foreign Application Priority Data**

Aug. 21, 2012 (JP) ..... 2012-019940

(51) **LOC (10) Cl.** ..... **16-01**

(52) **U.S. Cl.**  
USPC ..... **D16/202**

(58) **Field of Classification Search**  
USPC ..... D16/200, 202, 204, 208, 218;  
348/373-376; 358/909.1; 396/535-541

See application file for complete search history.

(56) **References Cited**

U.S. PATENT DOCUMENTS

D582,459 S *	12/2008	Nakamura	.....	D16/202
7,646,426 B2 *	1/2010	Saiki et al.	.....	348/373
D663,341 S *	7/2012	Kwon	.....	D16/202
D669,514 S *	10/2012	Ham	.....	D16/202
D682,906 S *	5/2013	Uemachi et al.	.....	D16/202

\* cited by examiner

*Primary Examiner* — Adir Aronovich

(74) *Attorney, Agent, or Firm* — Wolf, Greenfield & Sacks, P.C.; Randy J. Pritzker

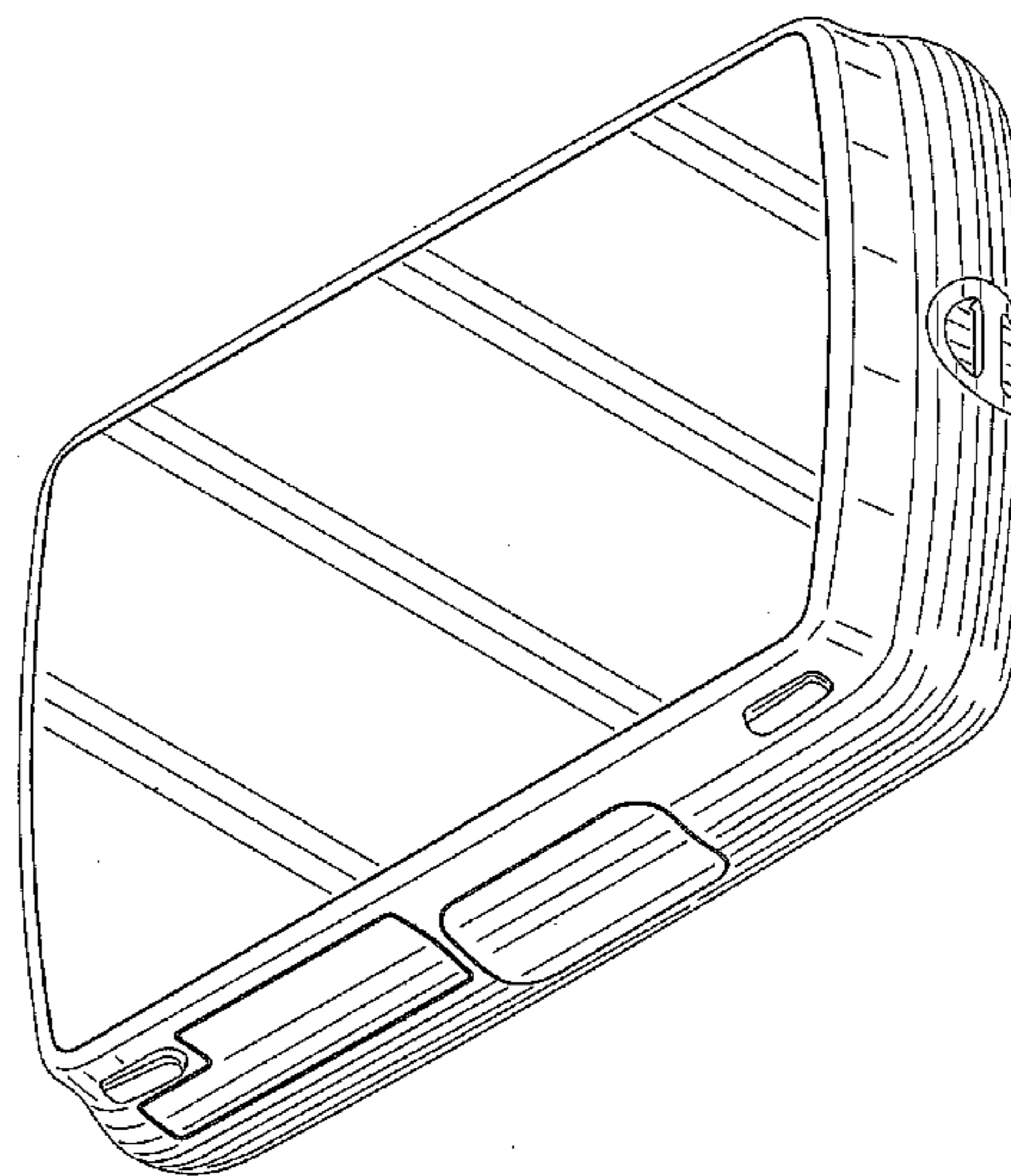
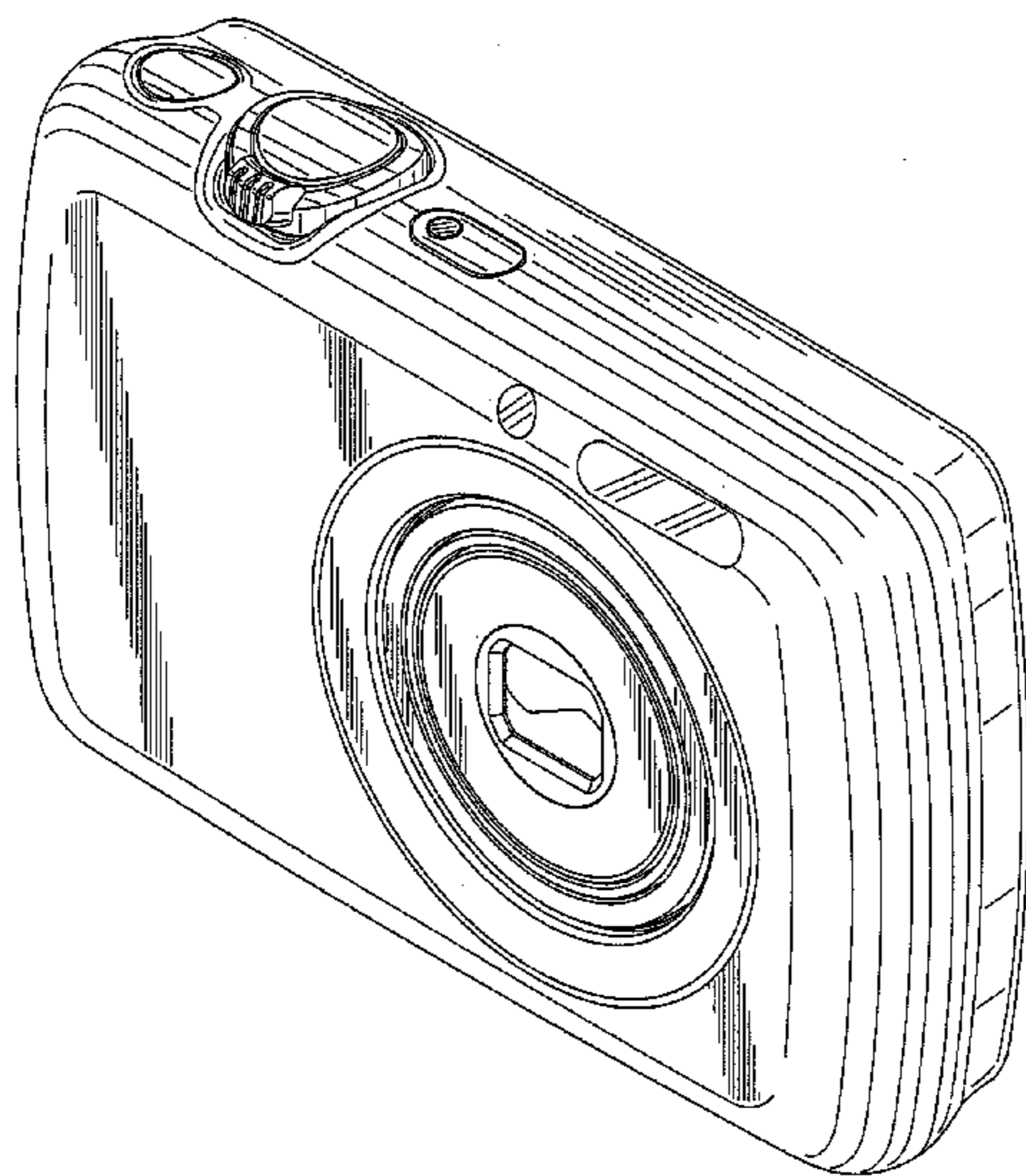
(57) **CLAIM**

The ornamental design for a digital camera, as shown and described.

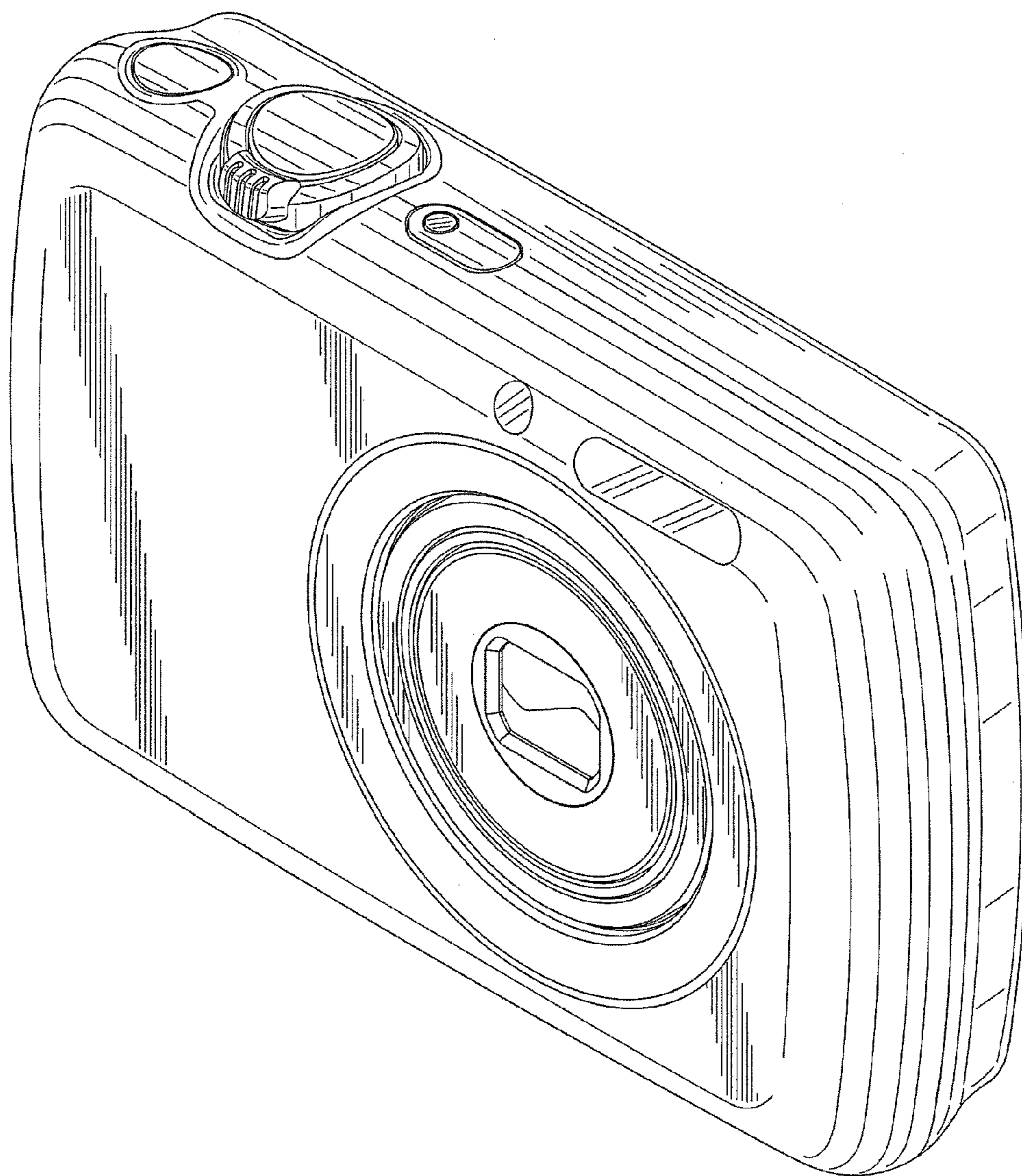
**DESCRIPTION**

FIG. 1 is a front, top and right side perspective view of a digital camera showing my new design;  
FIG. 2 is a rear, bottom and left side perspective view thereof;  
FIG. 3 is a front elevational view thereof;  
FIG. 4 is a rear elevational view thereof;  
FIG. 5 is a top plan view thereof;  
FIG. 6 is bottom plan view thereof;  
FIG. 7 is right side elevational view thereof; and,  
FIG. 8 is left side elevational view thereof.

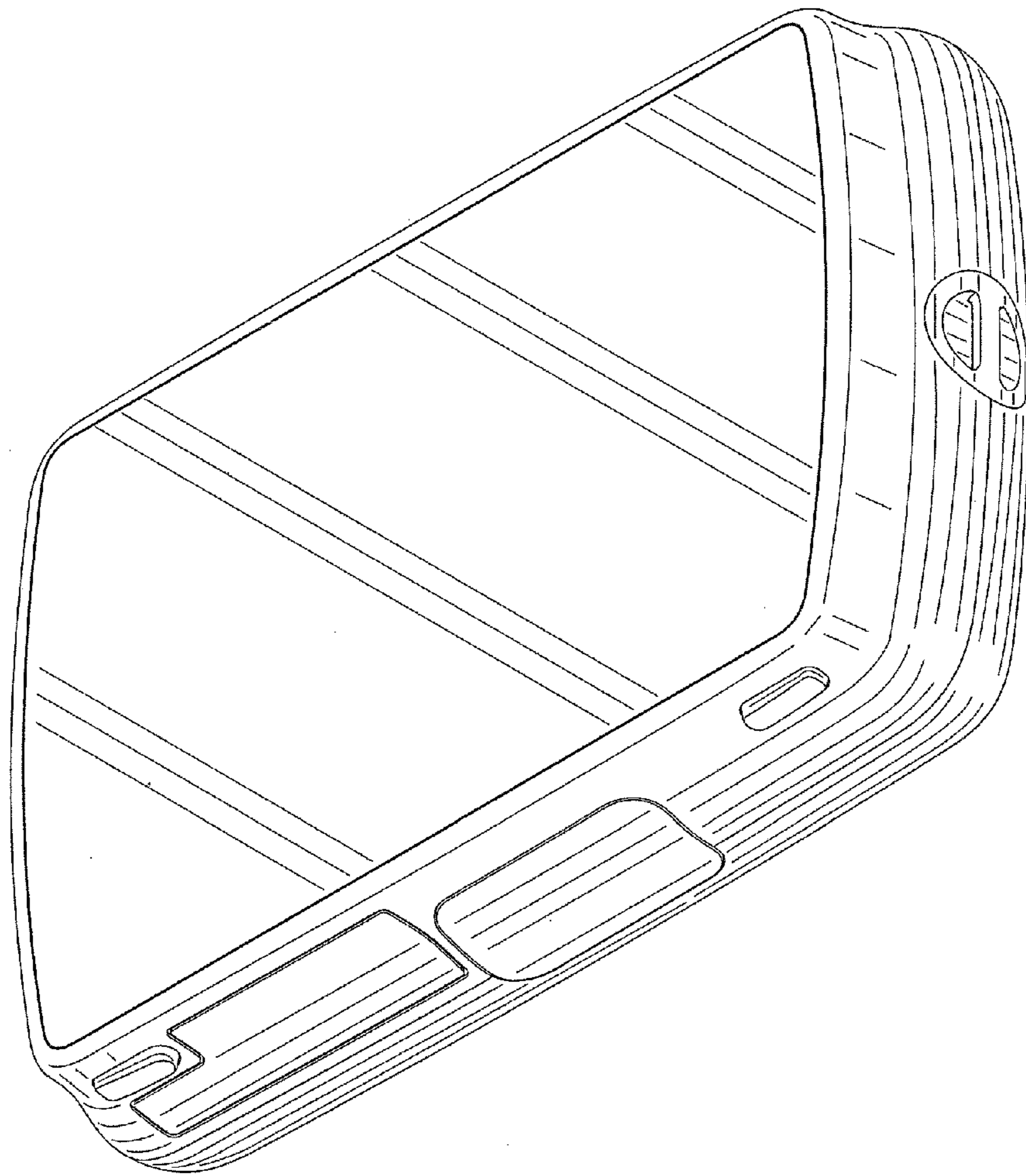
**1 Claim, 8 Drawing Sheets**



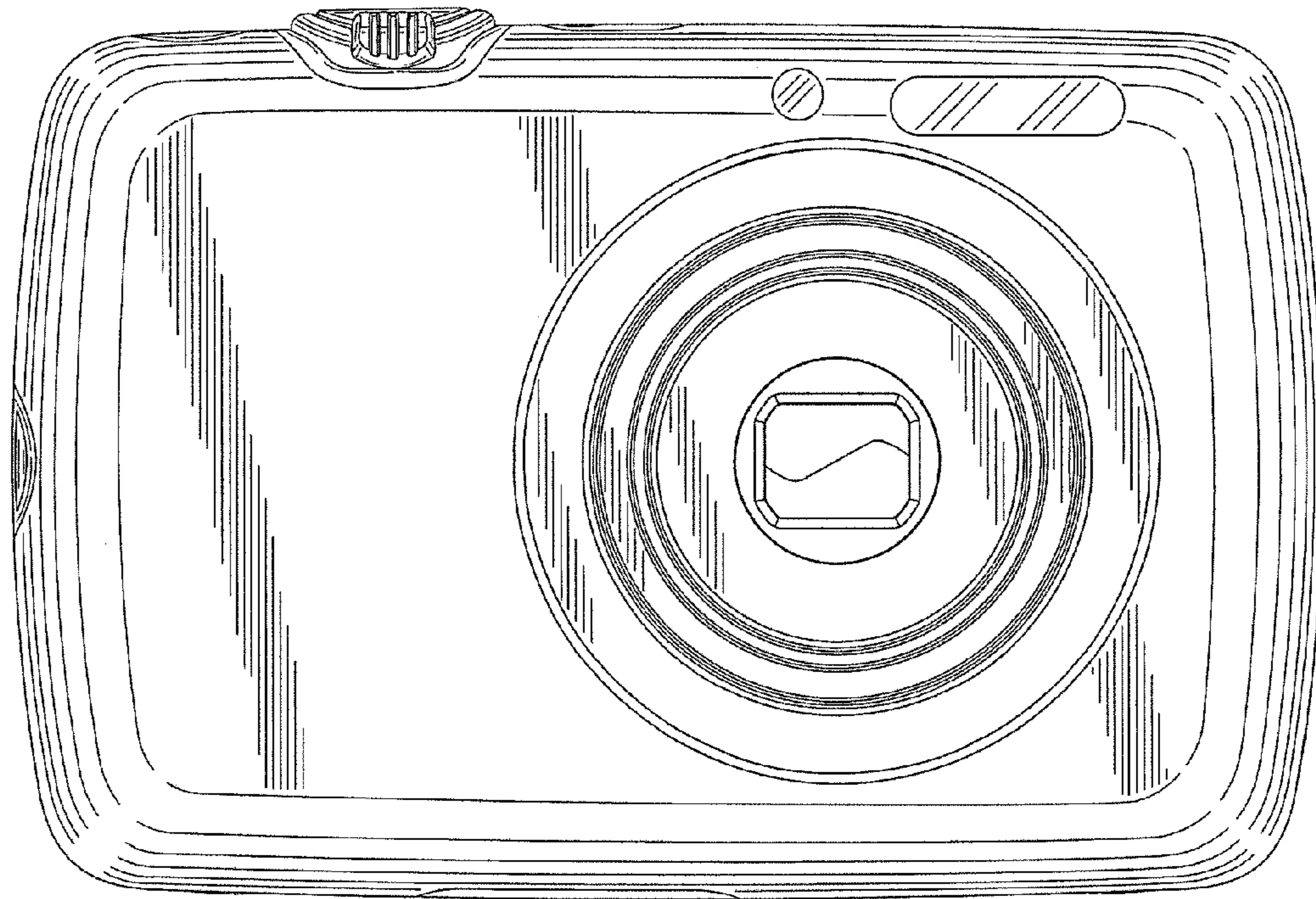
**FIG. 1**



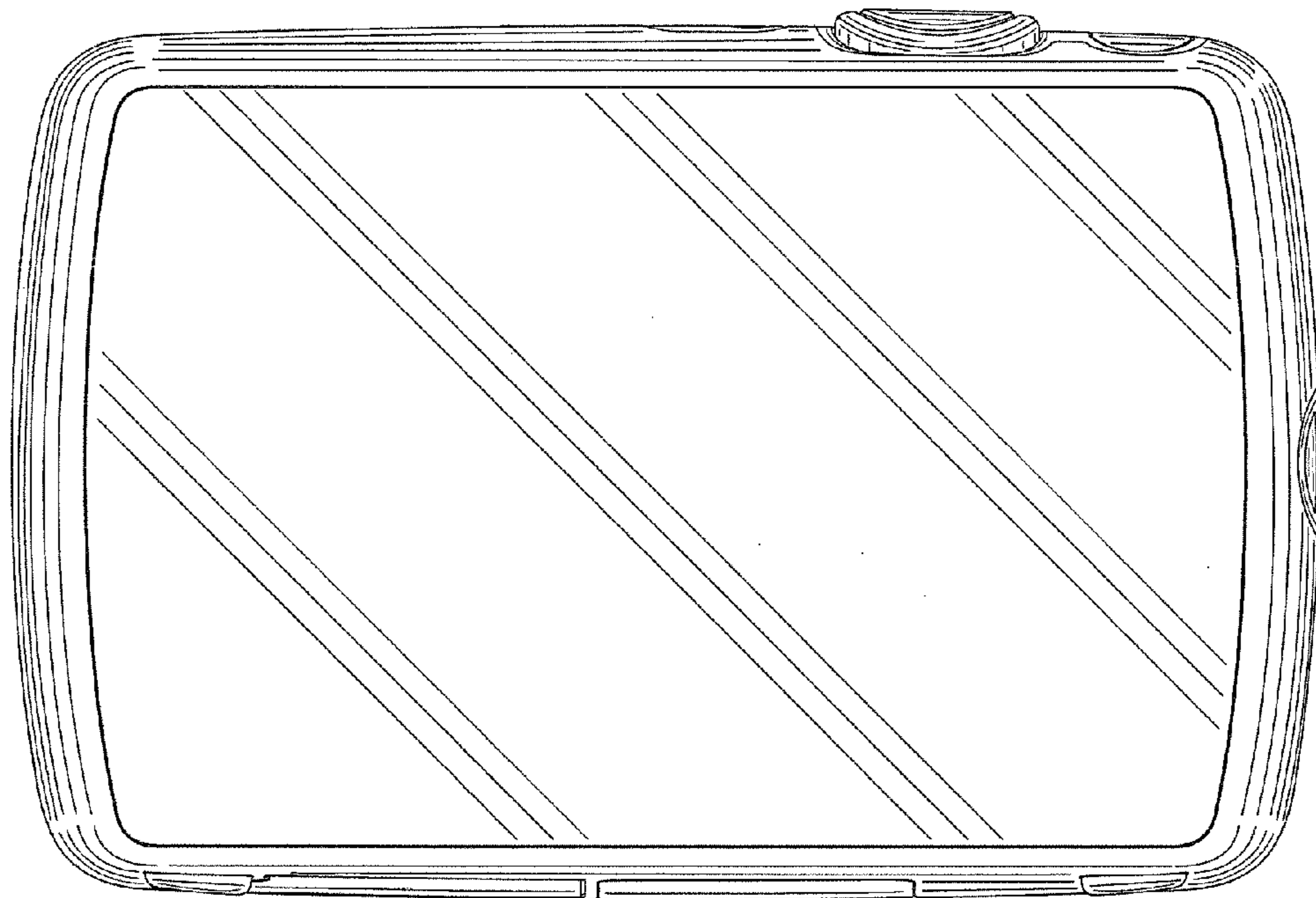
**FIG. 2**



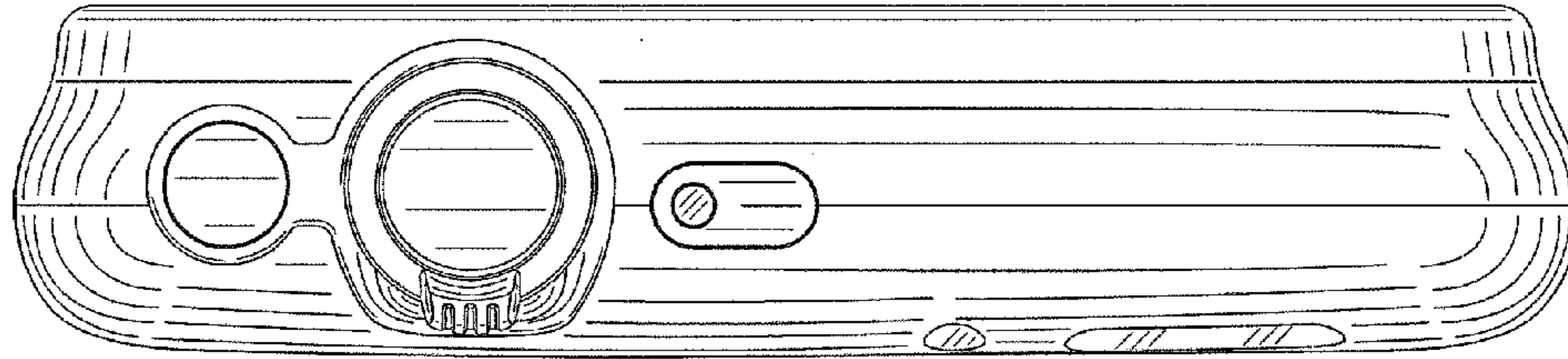
**FIG. 3**



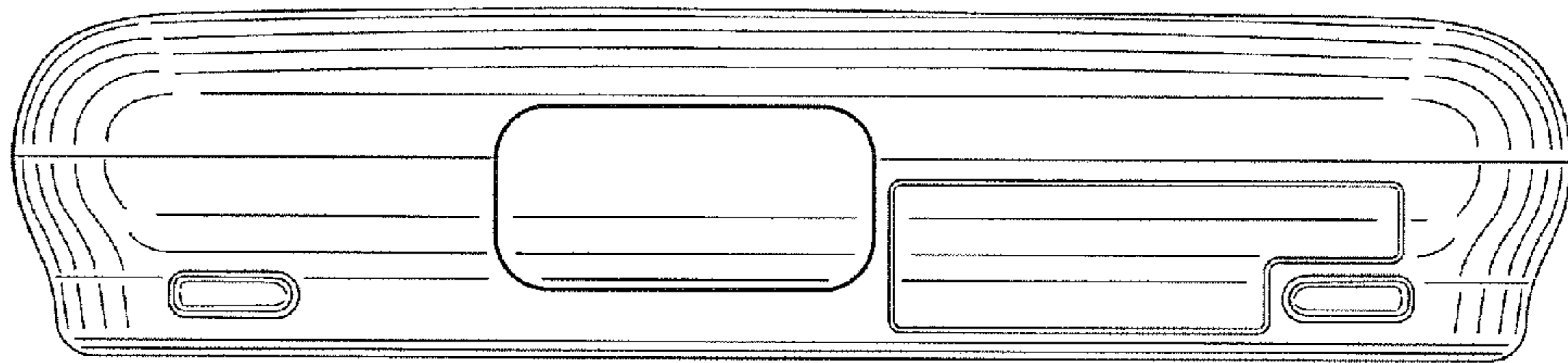
*FIG. 4*



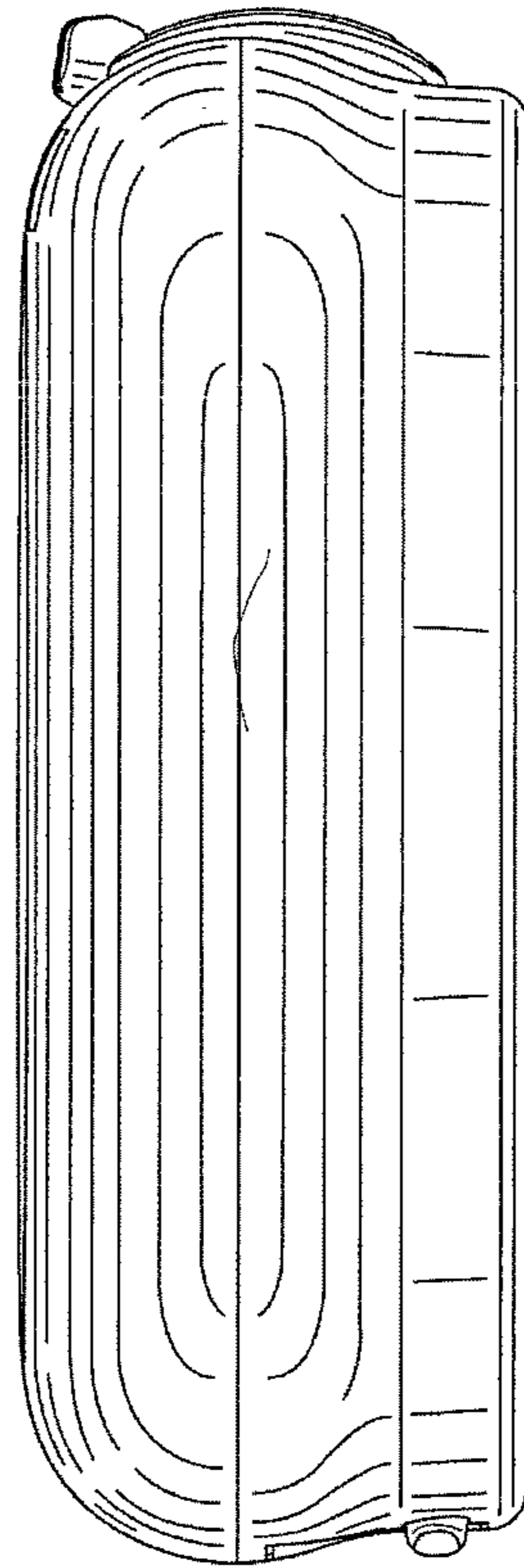
*FIG. 5*



*FIG. 6*



***FIG. 7***





***FIG. 8***

