



US00D701550S

(12) **United States Design Patent**
Umehara

(10) **Patent No.:** **US D701,550 S**
(45) **Date of Patent:** **** Mar. 25, 2014**

(54) **DIGITAL CAMERA**

(71) Applicant: **Nikon Corporation**, Tokyo (JP)

(72) Inventor: **Takashi Umehara**, Tokyo (JP)

(73) Assignee: **Nikon Corporation**, Tokyo (JP)

(**) Term: **14 Years**

(21) Appl. No.: **29/444,893**

(22) Filed: **Feb. 5, 2013**

(30) **Foreign Application Priority Data**

Aug. 10, 2012 (JP) 2012-019426

(51) **LOC (10) Cl.** **16-01**

(52) **U.S. Cl.**
USPC **D16/202; D16/217**

(58) **Field of Classification Search**
USPC D16/200, 202, 204, 206, 217, 218;
348/373-376; 358/909.1; 396/535-541
See application file for complete search history.

(56) **References Cited**

U.S. PATENT DOCUMENTS

D480,743 S * 10/2003 Matsumura et al. D16/217
D528,580 S * 9/2006 Sumita D16/206

D557,308 S * 12/2007 Matsuda D16/217
D559,291 S * 1/2008 Hayashi D16/202
D581,440 S * 11/2008 Nakamura D16/202
D594,892 S * 6/2009 Kamiya et al. D16/202
D607,481 S * 1/2010 Takahashi D16/217
D690,755 S * 10/2013 Nikaido D16/202

* cited by examiner

Primary Examiner — Adir Aronovich

(74) *Attorney, Agent, or Firm* — Wolf, Greenfield & Sacks,
P.C.; Randy J. Pritzker

(57) **CLAIM**

The ornamental design for a digital camera, as shown and described.

DESCRIPTION

FIG. 1 is a front, top and right side perspective view of a digital camera showing my new design;
FIG. 2 is a rear, top and left side perspective view thereof;
FIG. 3 is a front elevational view thereof;
FIG. 4 is a rear elevational view thereof;
FIG. 5 is a top plan view thereof;
FIG. 6 is bottom plan view thereof;
FIG. 7 is right side elevational view thereof; and,
FIG. 8 is left side elevational view thereof.

1 Claim, 8 Drawing Sheets

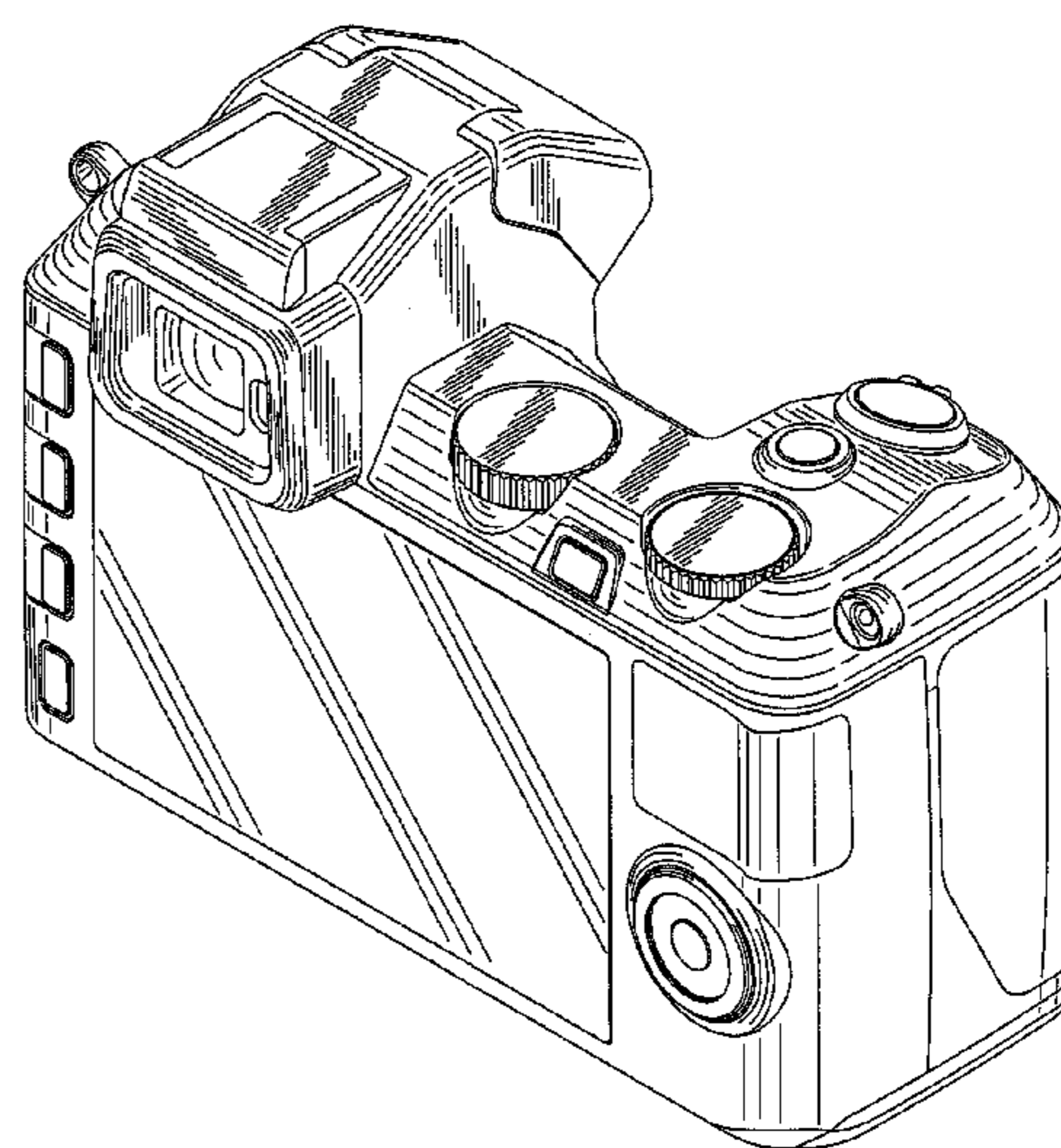
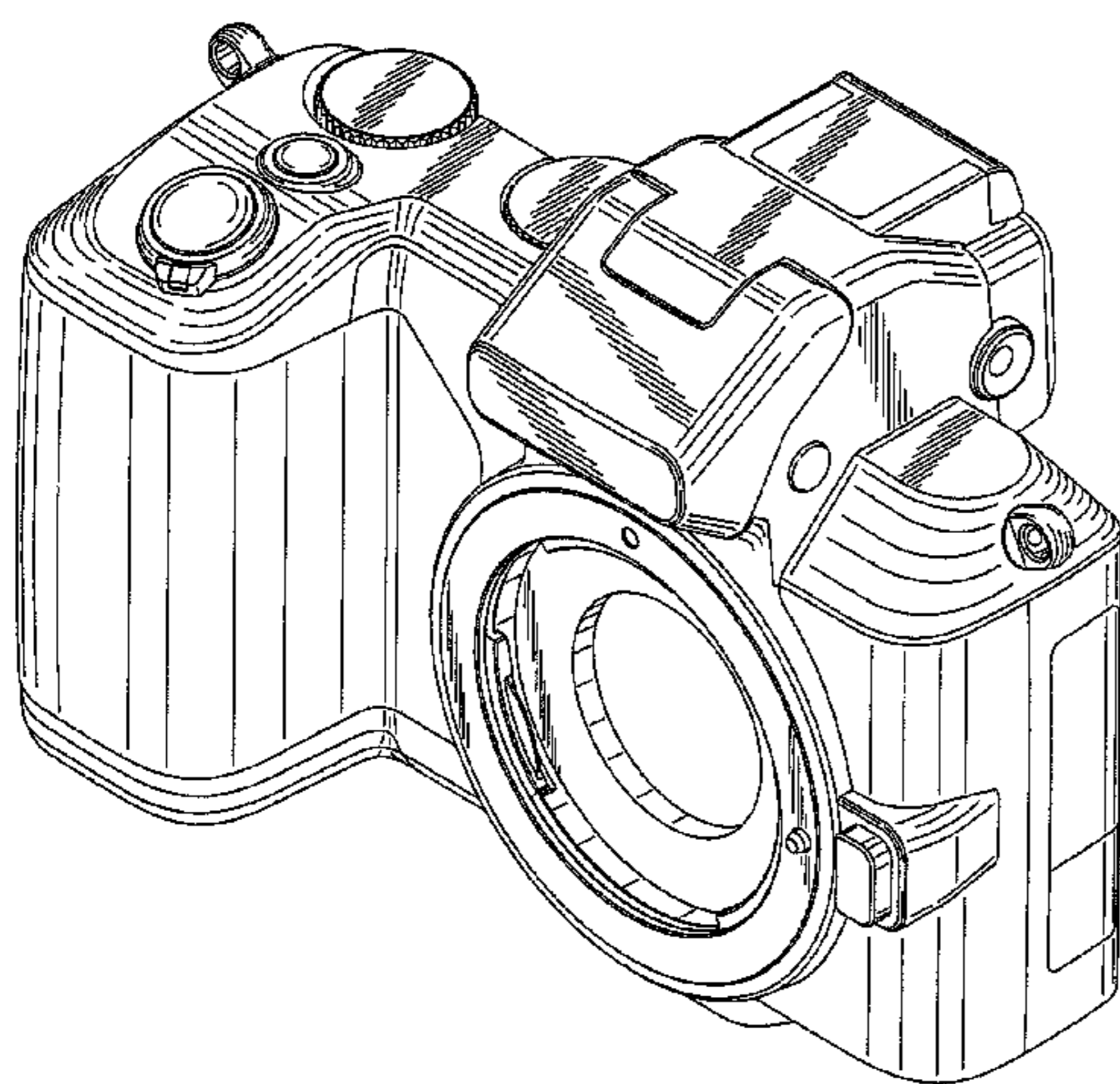


FIG. 1

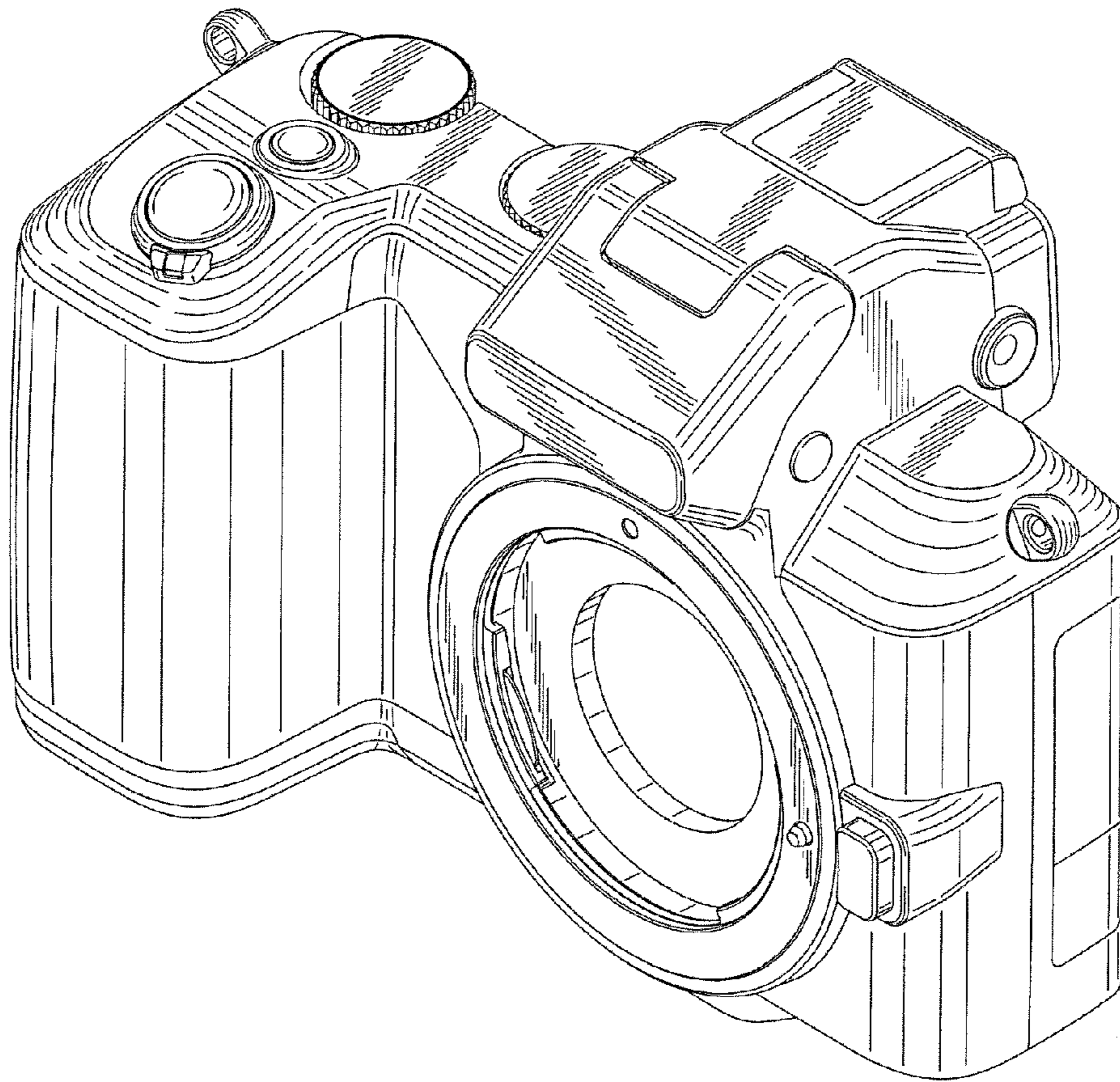


FIG. 2

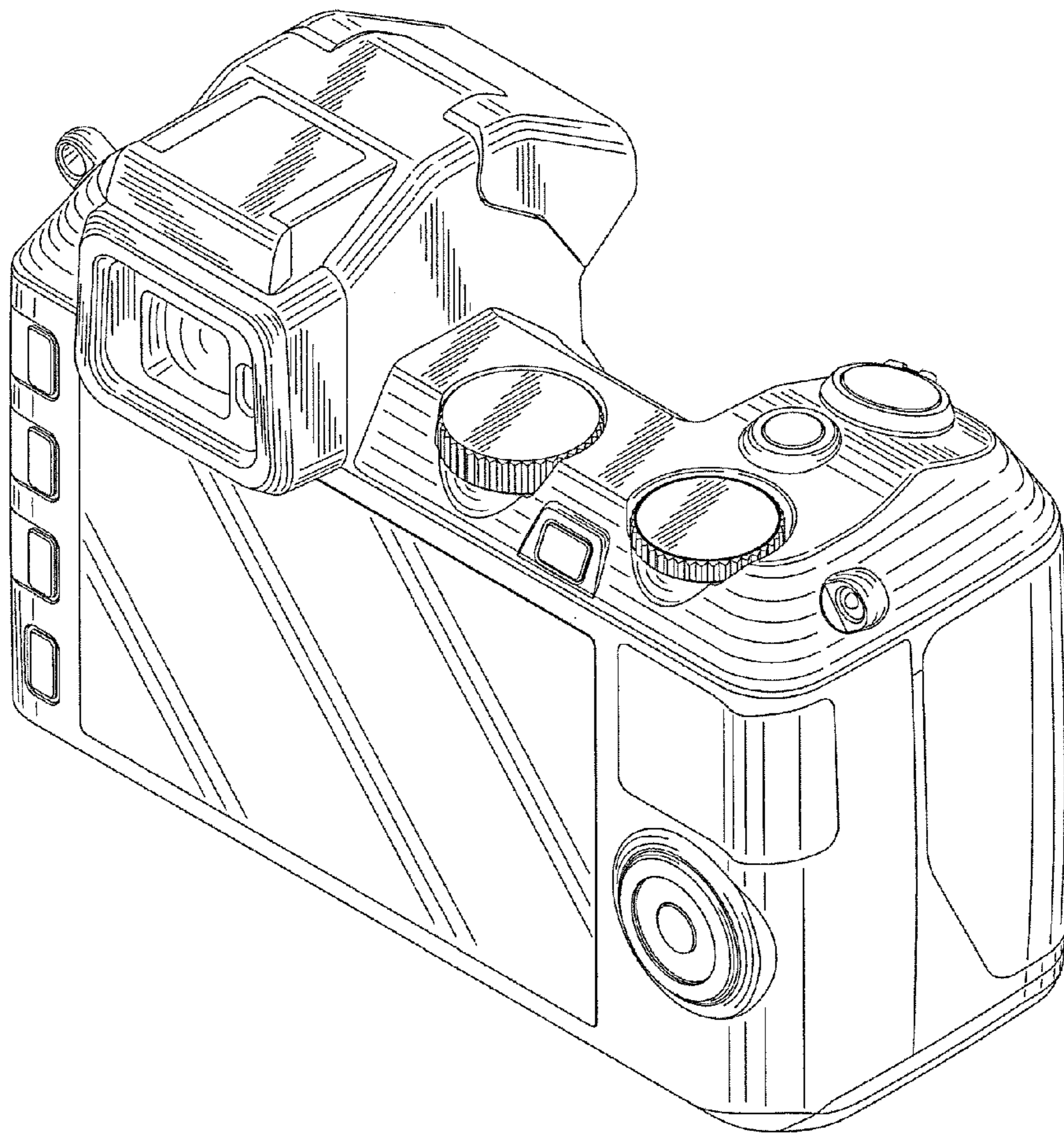


FIG. 3

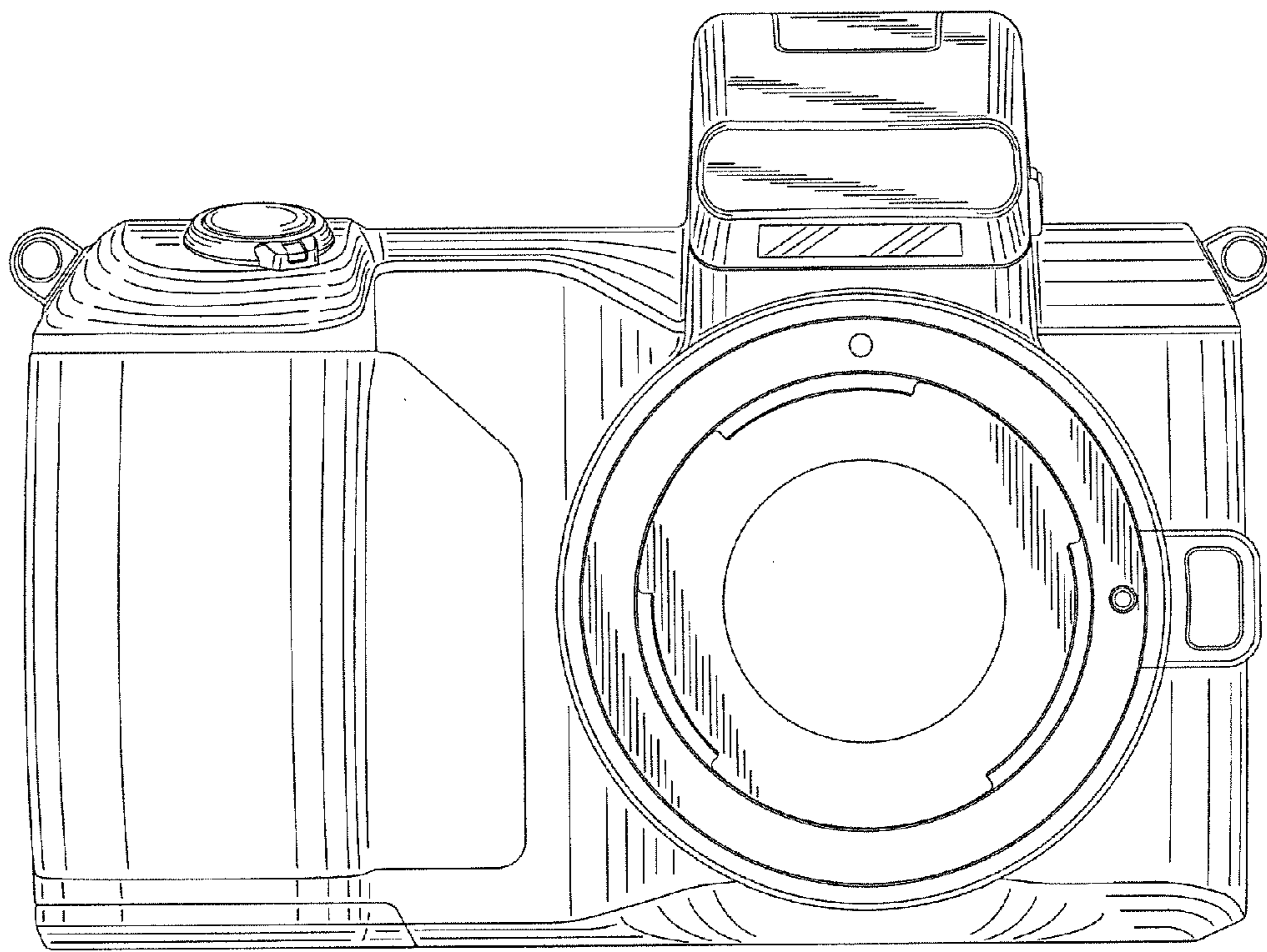


FIG. 4

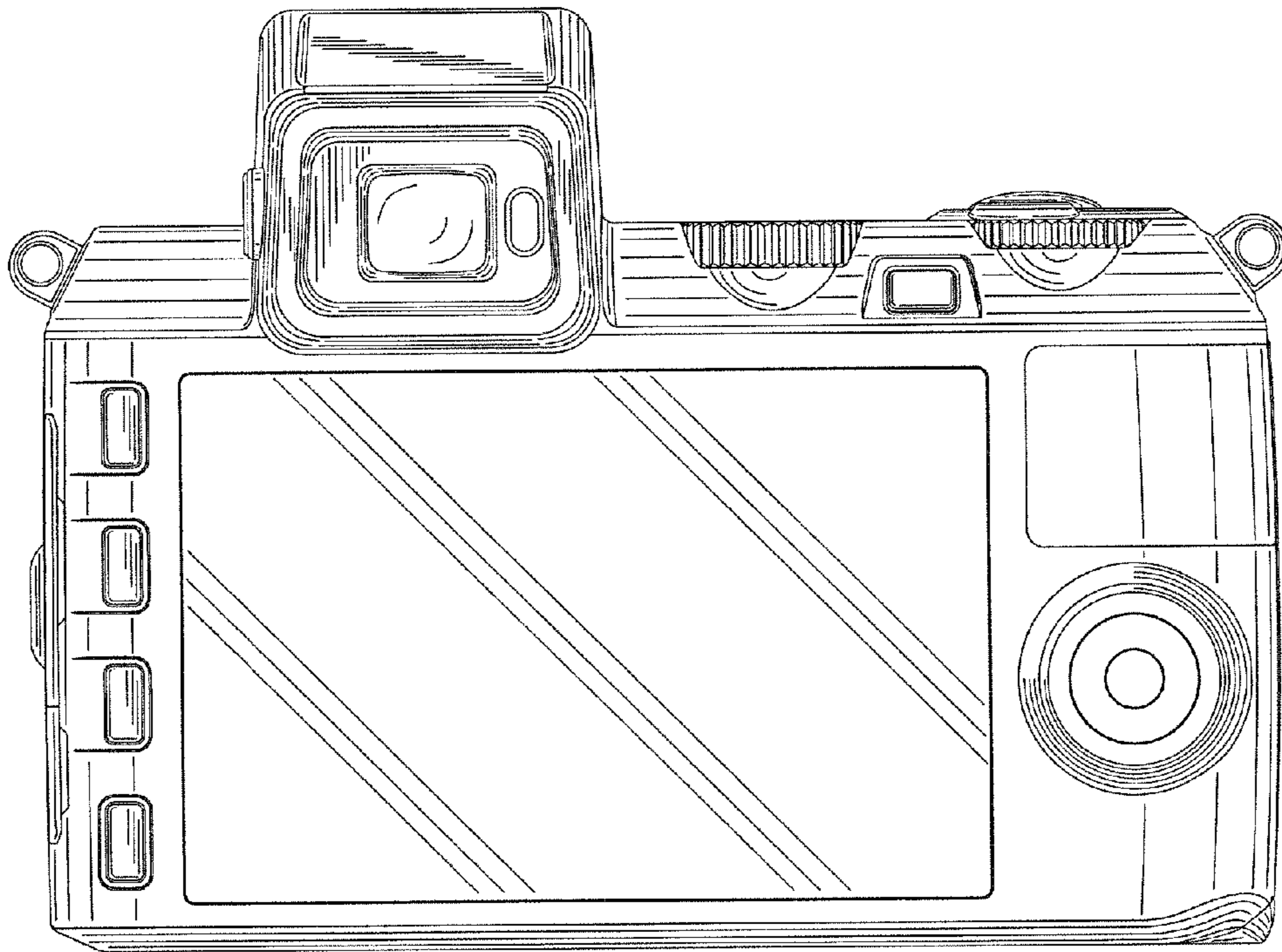


FIG. 5

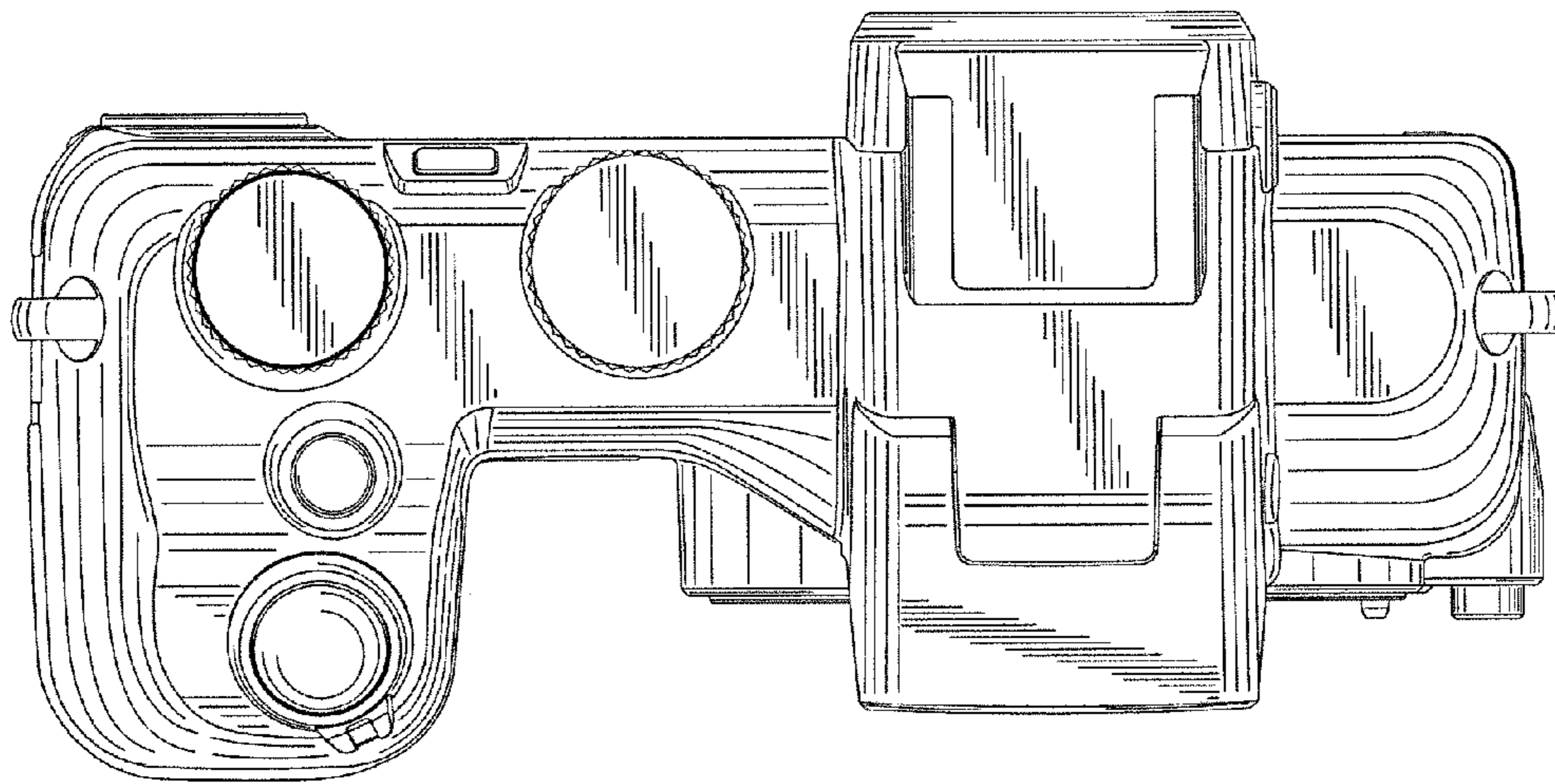


FIG. 6

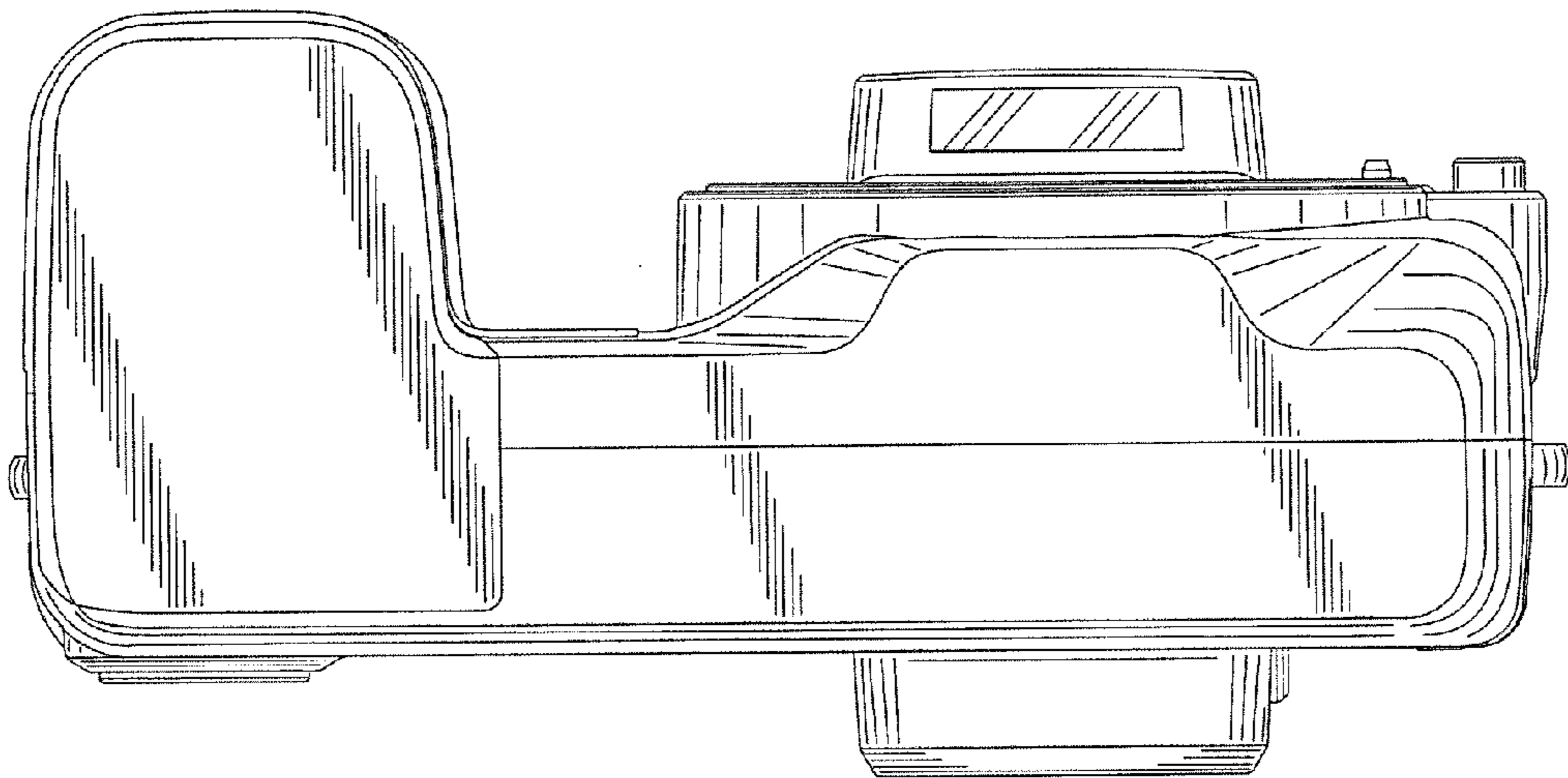


FIG. 7

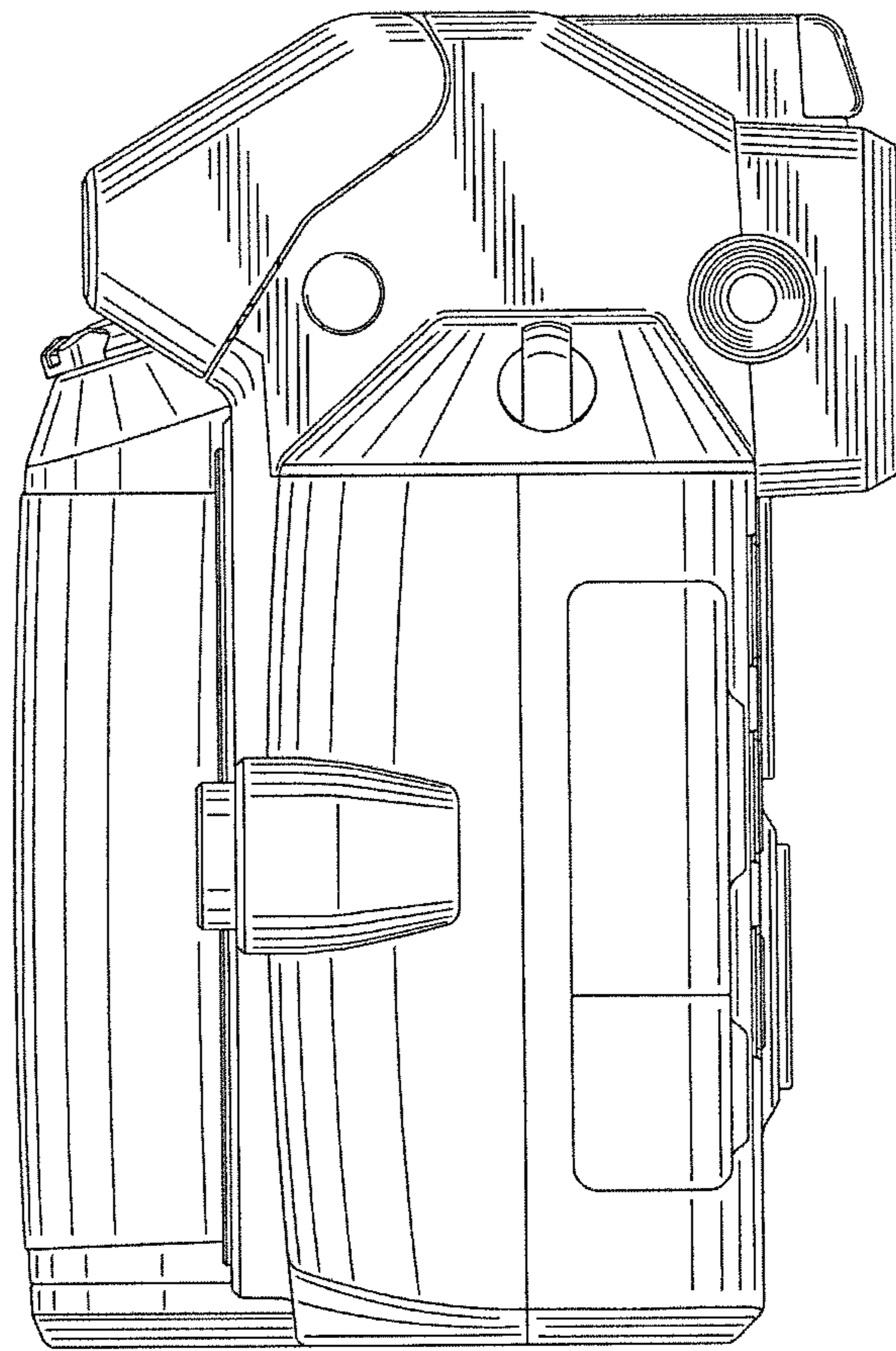


FIG. 8

