



US00D701543S

(12) **United States Design Patent**
Mihic

(10) **Patent No.:** **US D701,543 S**

(45) **Date of Patent:** **** *Mar. 25, 2014**

(54) **MACHINE TOOLS (WOOD AND METAL WORKING)**

(75) Inventor: **Peter Mihic**, Gävle (SE)

(73) Assignee: **Mircona AB**, Gavle (SE)

(*) Notice: This patent is subject to a terminal disclaimer.

(**) Term: **14 Years**

(21) Appl. No.: **29/351,566**

(22) Filed: **Dec. 8, 2009**

(30) **Foreign Application Priority Data**

Jun. 8, 2009 (EM) 1540584

(51) **LOC (10) Cl.** **15-09**

(52) **U.S. Cl.**
USPC **D15/139**

(58) **Field of Classification Search**
USPC D8/70; D15/138, 139, 140; 407/25, 30, 407/34-39, 43, 48, 53, 55, 56, 61, 97-100, 407/113, 114; 408/187, 199, 713
See application file for complete search history.

(56) **References Cited**

U.S. PATENT DOCUMENTS

1,195,717	A *	8/1916	Pejauo et al.	408/222
4,323,325	A *	4/1982	Samanta et al.	409/131
D305,295	S *	1/1990	Momany	D8/70
D317,455	S *	6/1991	Martin	D15/139
5,024,563	A *	6/1991	Randall	408/1 R
D416,267	S *	11/1999	Reilly	D15/139
6,204,584	B1 *	3/2001	Muszynski	310/156.08
D457,899	S *	5/2002	Nam et al.	D15/138
D514,419	S *	2/2006	Henriksen	D8/98
7,201,542	B2 *	4/2007	Fritsch et al.	408/223
7,278,806	B1 *	10/2007	Clayton	409/140
D612,876	S *	3/2010	Bell	D15/139
7,695,221	B2 *	4/2010	Kruszynski et al.	407/113
D617,358	S *	6/2010	Guse	D15/139
D624,381	S *	9/2010	Waller	D8/70
D629,430	S *	12/2010	Harada	D15/138

D640,298	S *	6/2011	Launius, Jr.	D15/138
2001/0018010	A1 *	8/2001	Kichin	407/24
2002/0015623	A1 *	2/2002	Eriksson	407/53
2002/0067961	A1 *	6/2002	Yewman	407/30
2005/0031421	A1 *	2/2005	Inglis	407/53
2008/0095589	A1 *	4/2008	Kammermeier et al.	409/131
2008/0253846	A1 *	10/2008	Ni et al.	407/34
2009/0074519	A1 *	3/2009	Yu	407/34

OTHER PUBLICATIONS

Office Action for Russian application No. 2009503462 dated Apr. 2010.
Mitsubishi Materials 2006-2008; HC18053342; Nov. 24, 2006.
A Complete Range of Cutting Tools; HD17019599; Sep. 30, 2005.
Japanese design reference No. HC06012652 dated Sep. 14, 1994.
Office Action for Russian application No. 2009503463 dated Apr. 2010.
Office Action for Japanese application No. 2009-28392 dated Nov. 1, 2010.
Office Action for Japanese application No. 2009-28390 dated Dec. 7, 2010.

* cited by examiner

Primary Examiner — Patricia Palasik

(74) *Attorney, Agent, or Firm* — Renner, Otto, Boisselle & Sklar, LLP

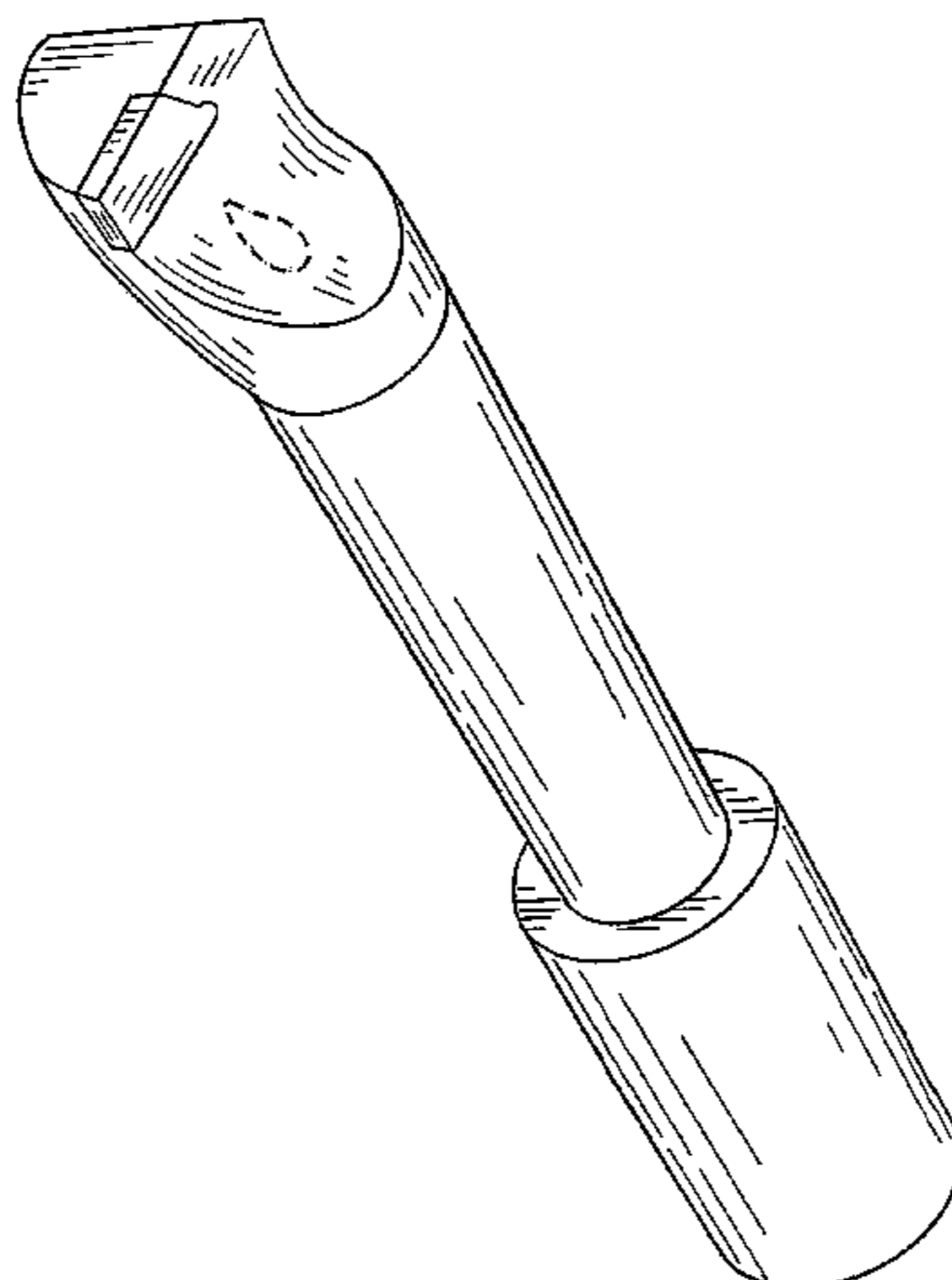
(57) **CLAIM**

The ornamental design for machine tools (wood and metal working), as shown and described.

DESCRIPTION

FIG. 1 is a perspective view of a first embodiment of machine tools (wood and metal working) showing my design.
FIG. 2 is another perspective view thereof.
FIG. 3 is another perspective view thereof.
FIG. 4 is an end view thereof.
FIG. 5 is an elevational view thereof.
FIG. 6 is a perspective view of a second embodiment of machine tools (wood and metal working) showing my design.
FIG. 7 is another perspective view thereof.
FIG. 8 is another perspective view thereof.
FIG. 9 is an end view thereof; and,
FIG. 10 is an elevational view thereof.
The broken lines shown herein are for illustrative purposes only and form no part of the claimed design.

1 Claim, 10 Drawing Sheets



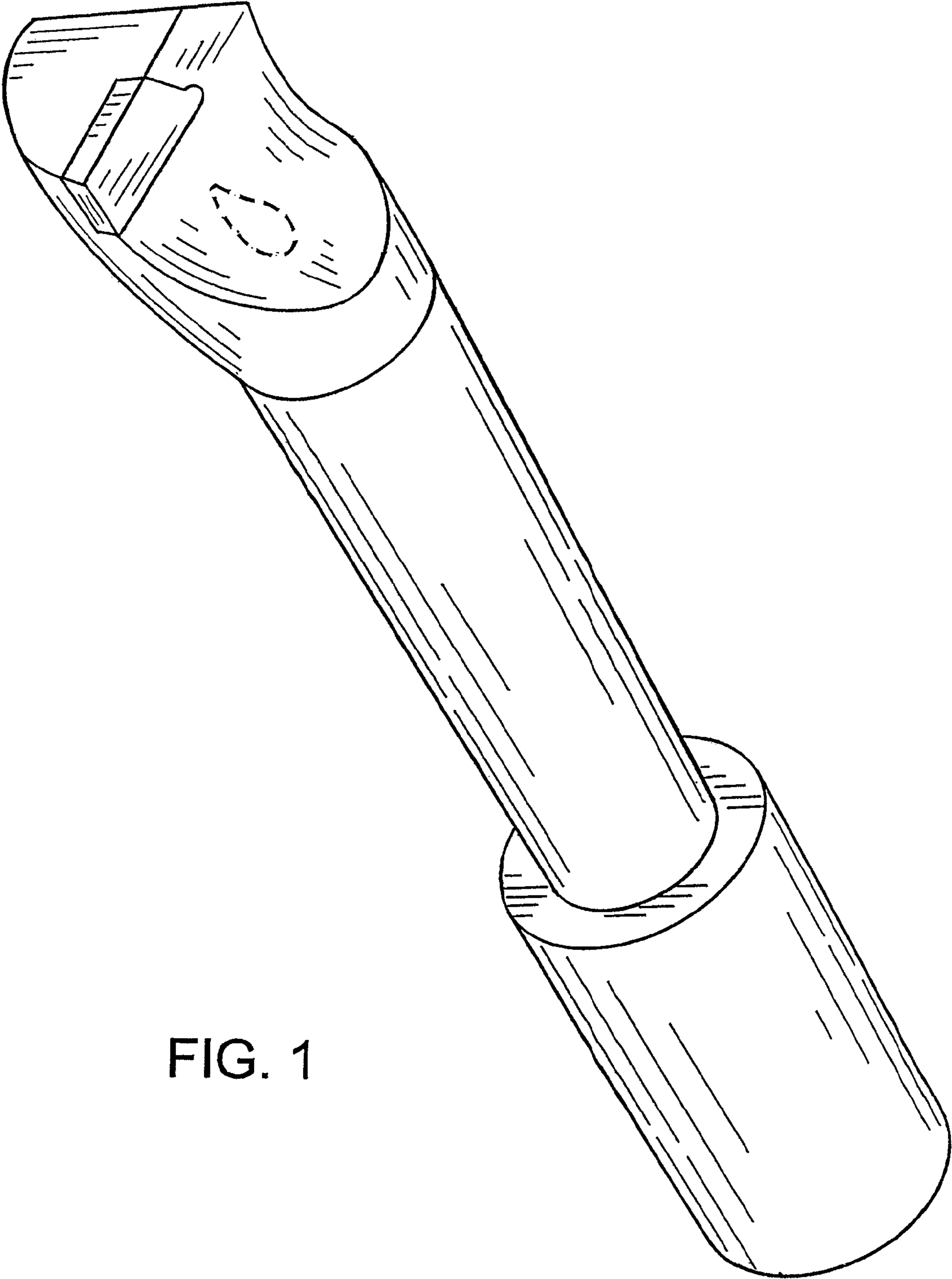


FIG. 1

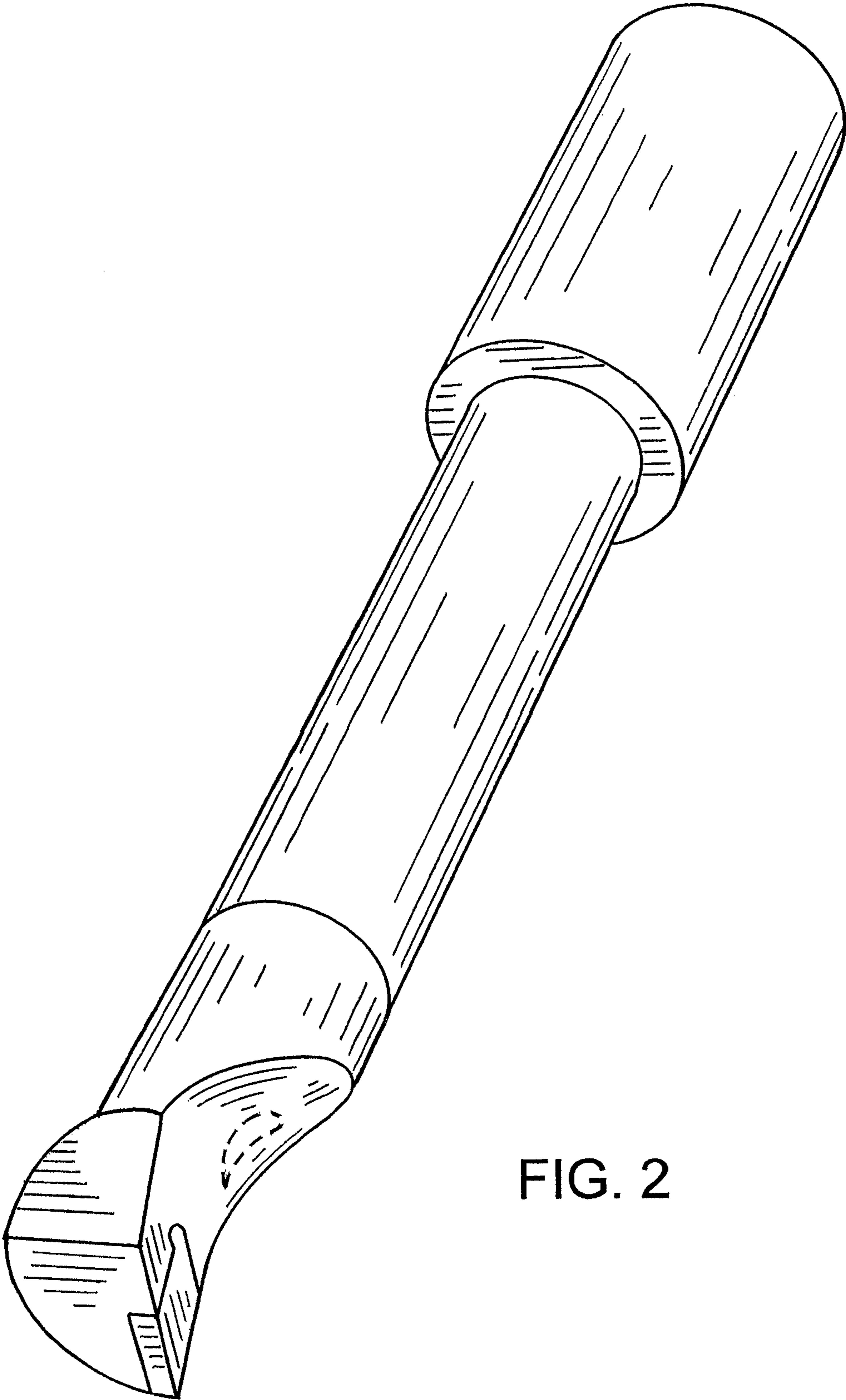


FIG. 2

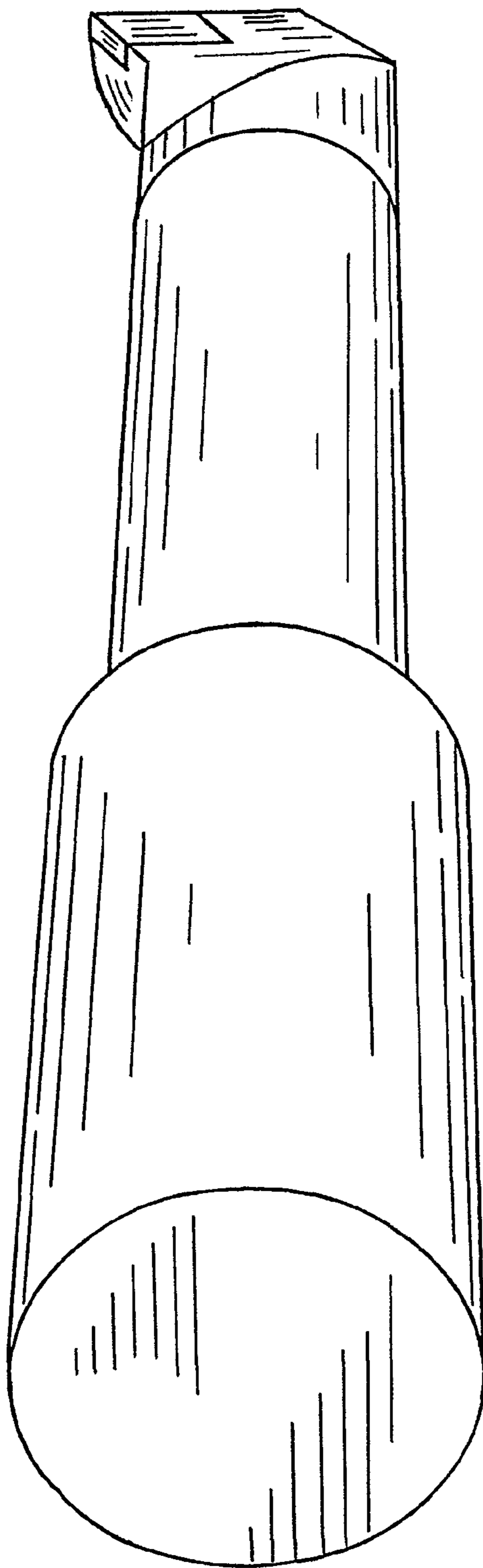


FIG. 3

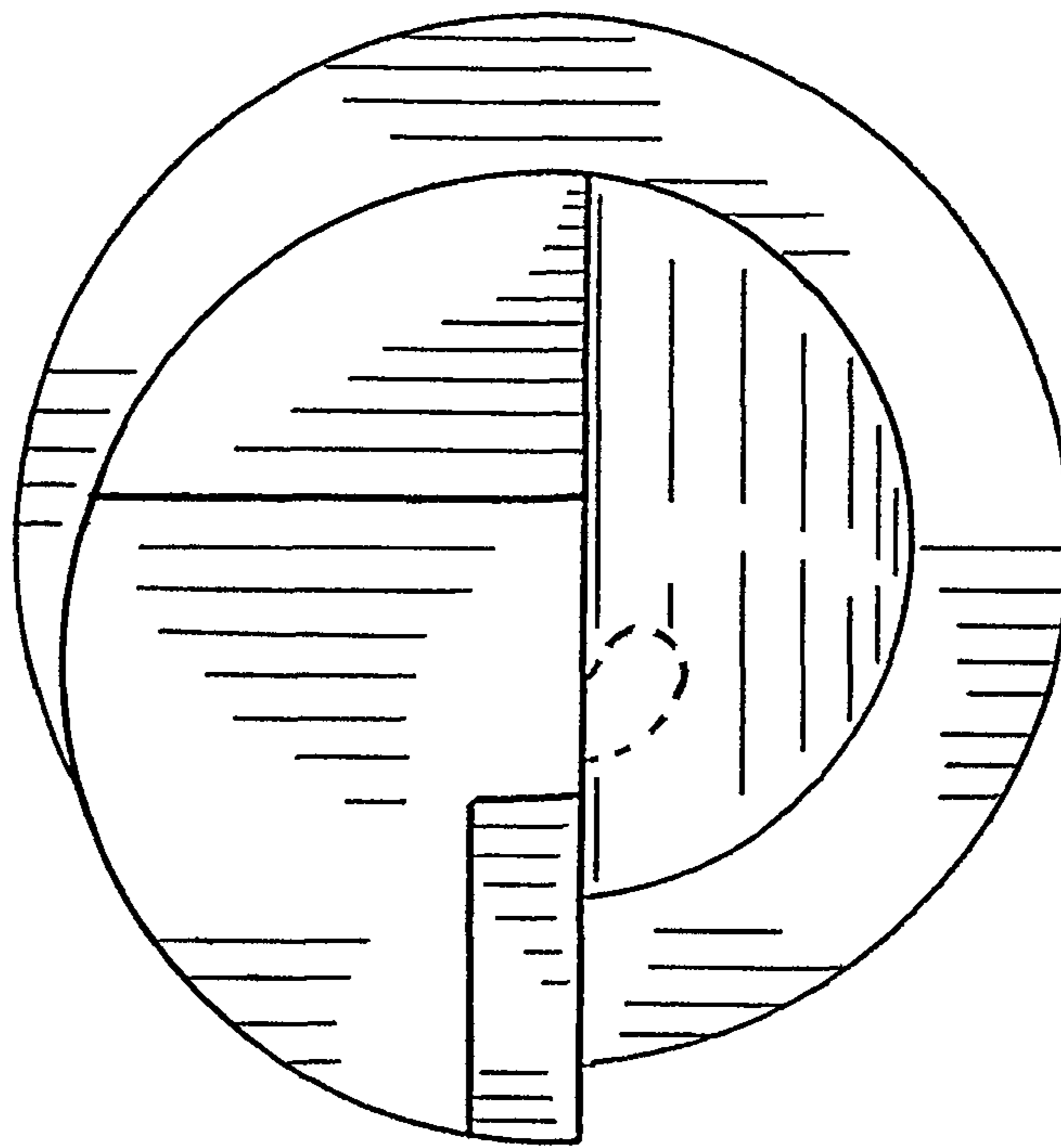


FIG. 4

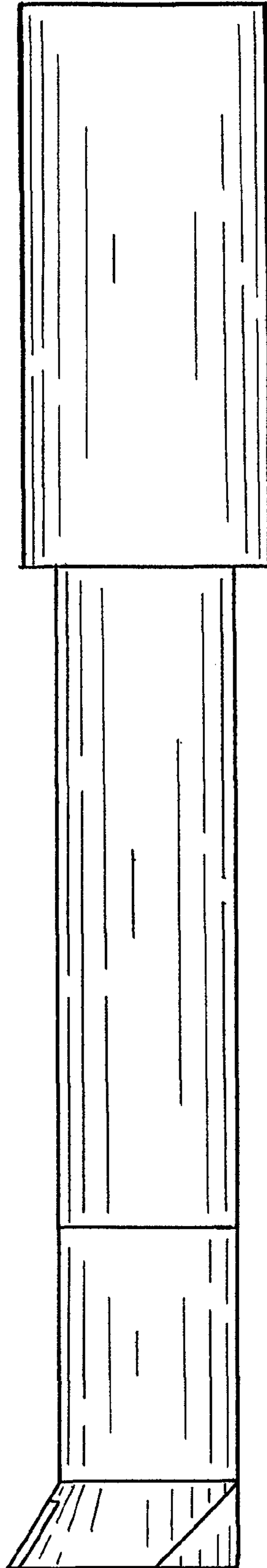


FIG. 5

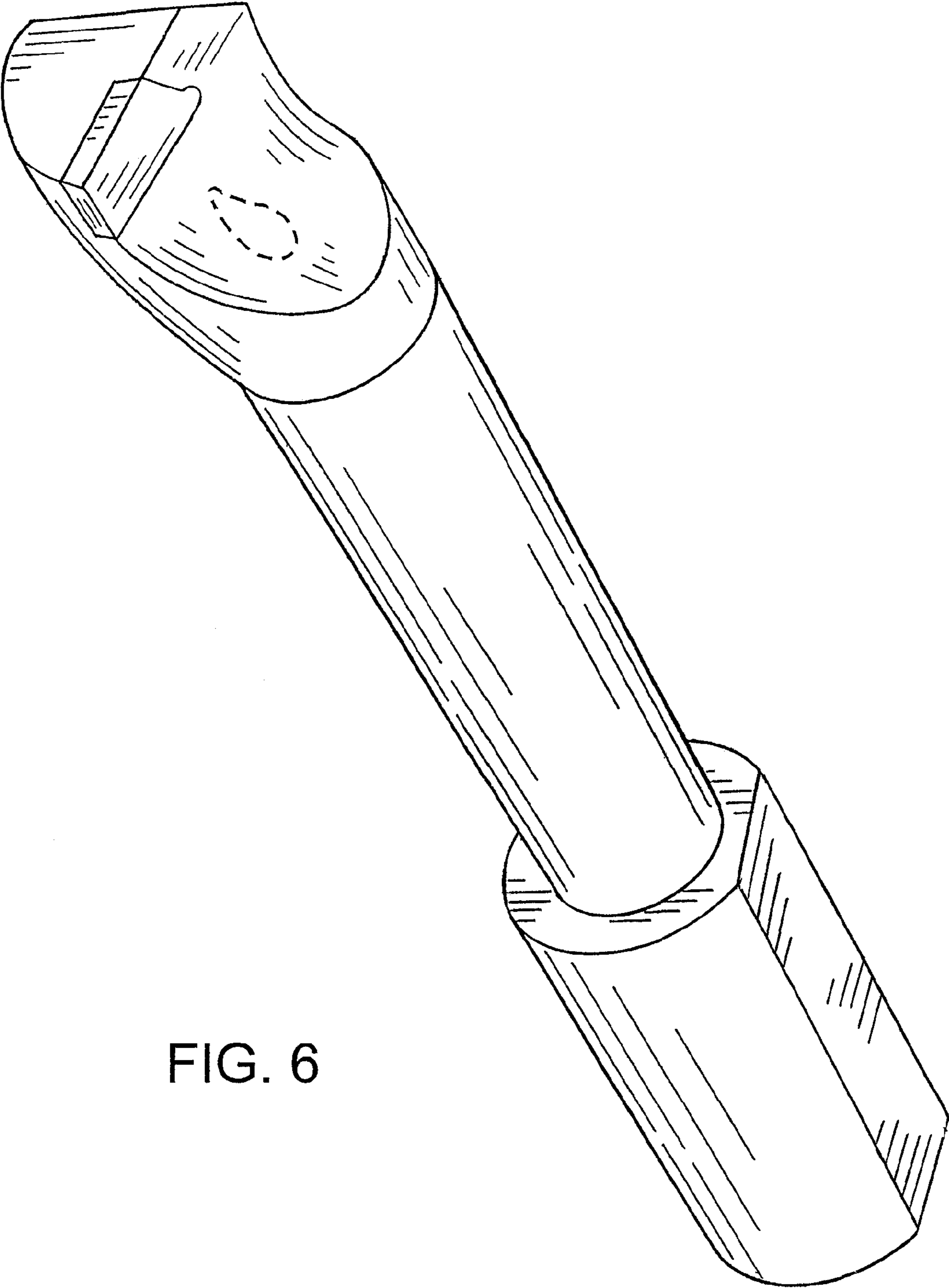


FIG. 6

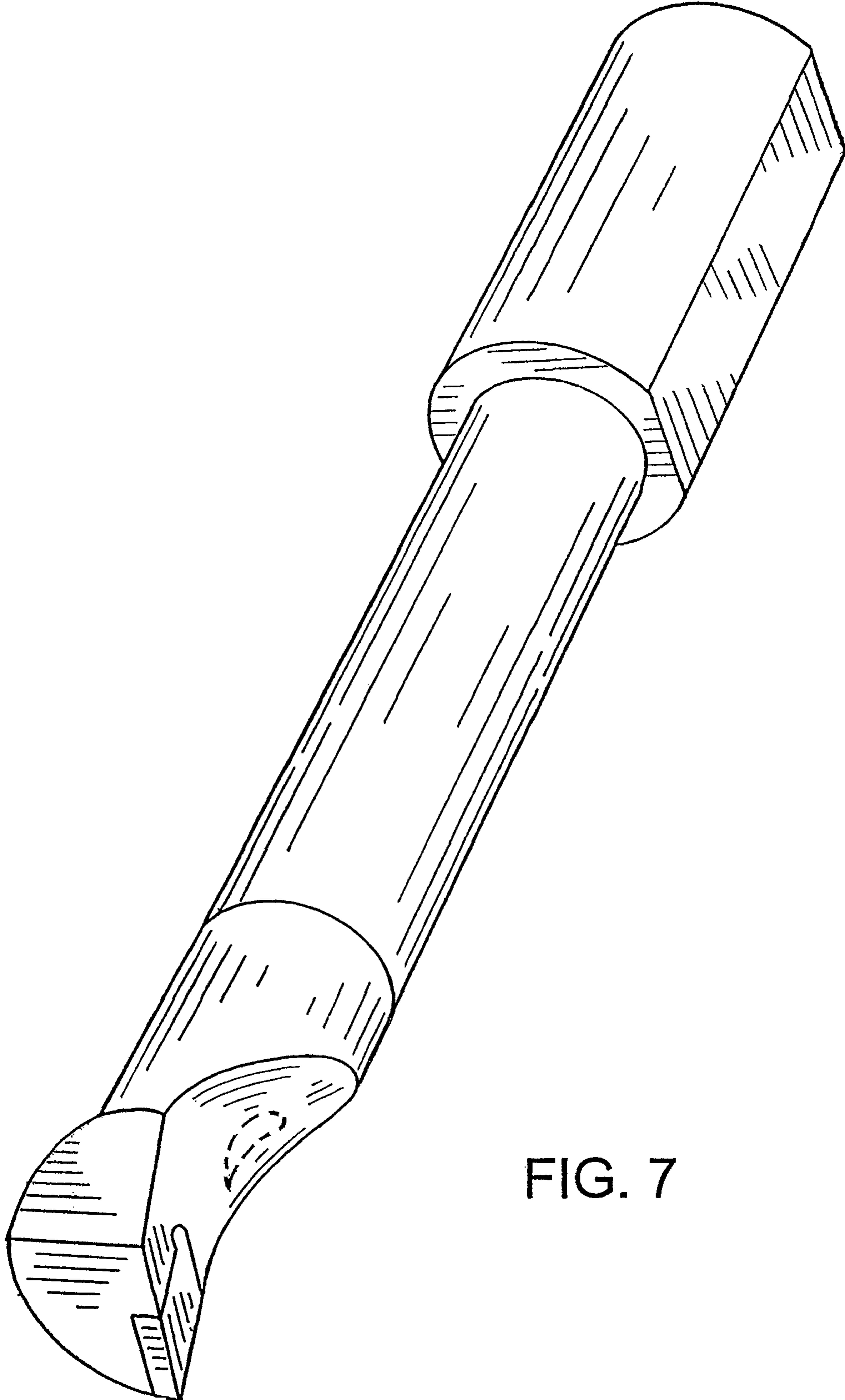


FIG. 7

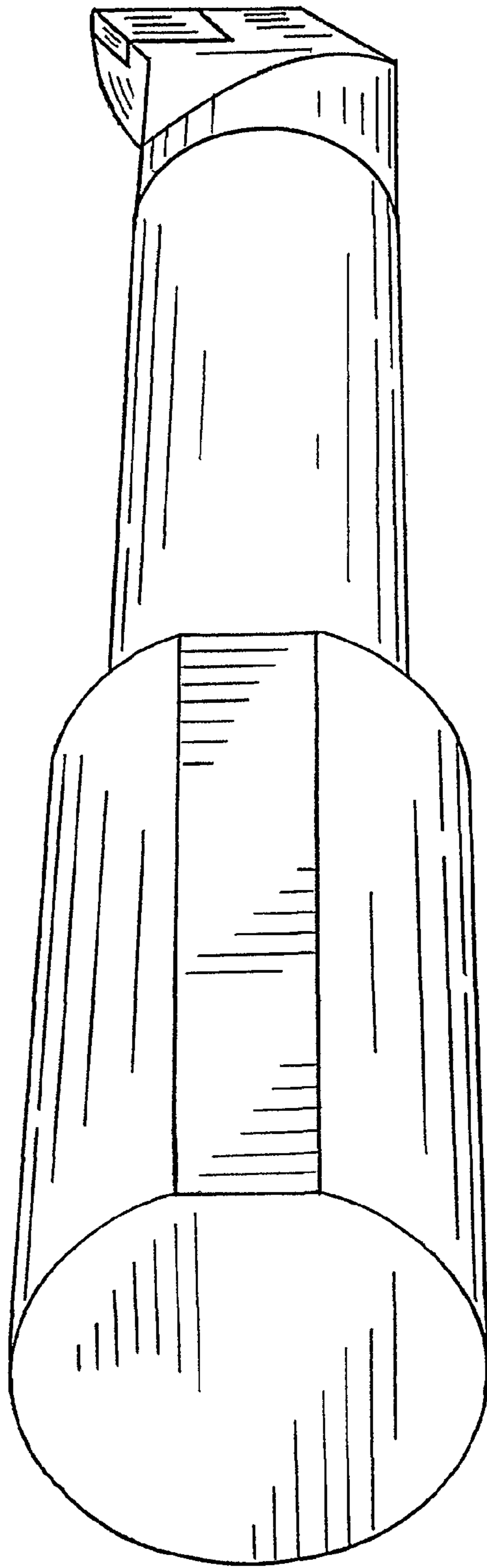


FIG. 8

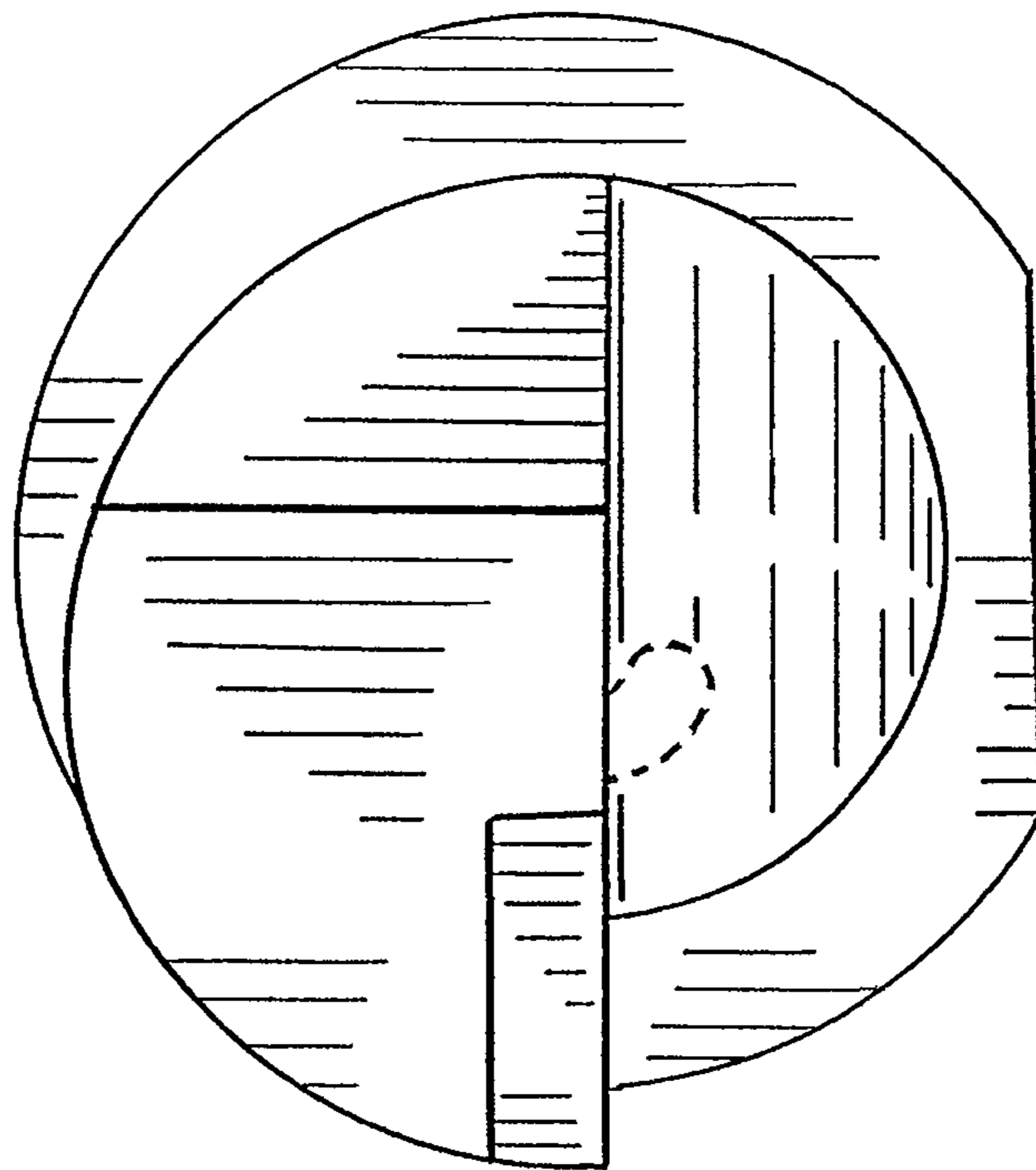


FIG. 9

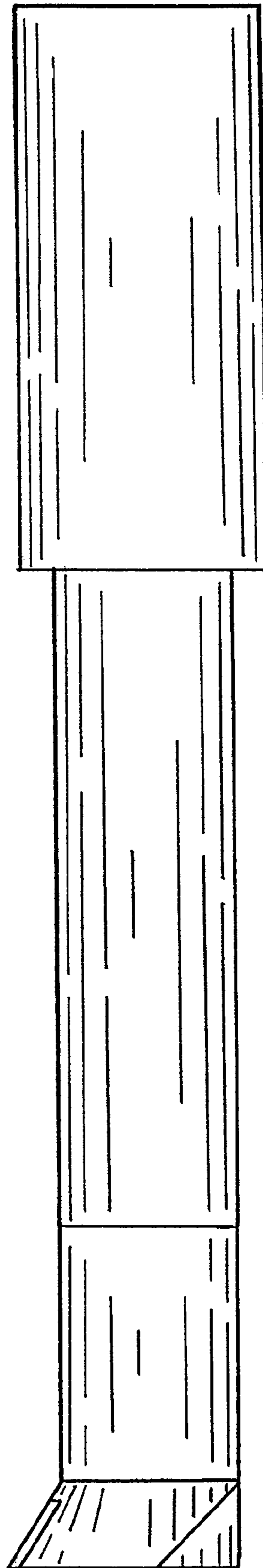


FIG. 10