



US00D701542S

(12) **United States Design Patent**
Shearer

(10) **Patent No.:** **US D701,542 S**
(45) **Date of Patent:** **** Mar. 25, 2014**

(54) **CORNER AND SIDE HOLE PUNCH**

(71) Applicant: **Joshua D Shearer**, Hemet, CA (US)

(72) Inventor: **Joshua D Shearer**, Hemet, CA (US)

(**) Term: **14 Years**

(21) Appl. No.: **29/466,597**

(22) Filed: **Sep. 10, 2013**

(51) **LOC (10) Cl.** **15-09**

(52) **U.S. Cl.**
USPC **D15/128**

(58) **Field of Classification Search**
USPC D8/98; D15/128; D19/65, 72; 29/240,
29/256, 264; 30/366, 367; 83/468, 522,
83/683, 692, 693, 694, 917; 279/96, 100,
279/101, 102; 403/16

See application file for complete search history.

(56) **References Cited**

U.S. PATENT DOCUMENTS

3,205,748	A	9/1965	Smeets	
3,405,583	A	10/1968	Herzog	
3,616,719	A	11/1971	Tassie	
3,942,400	A	3/1976	Roch	
D244,758	S	6/1977	Slattery	
4,433,600	A	2/1984	Ikeda	
4,481,848	A	11/1984	Ikeda	
D350,142	S	8/1994	Imanisji et al.	
D397,725	S *	9/1998	Mori D19/72

6,125,546	A	10/2000	Laws	
D458,308	S *	6/2002	Hsuan D19/72
D592,250	S *	5/2009	Cunningham et al. D19/72
D636,413	S	4/2011	Gustavsson et al.	
D665,832	S *	8/2012	Nguyen D15/128
2003/0075034	A1 *	4/2003	Brenneke 83/684

* cited by examiner

Primary Examiner — Patricia Palasik

(74) *Attorney, Agent, or Firm* — Kirk A. Buhler; Buhler & Associates

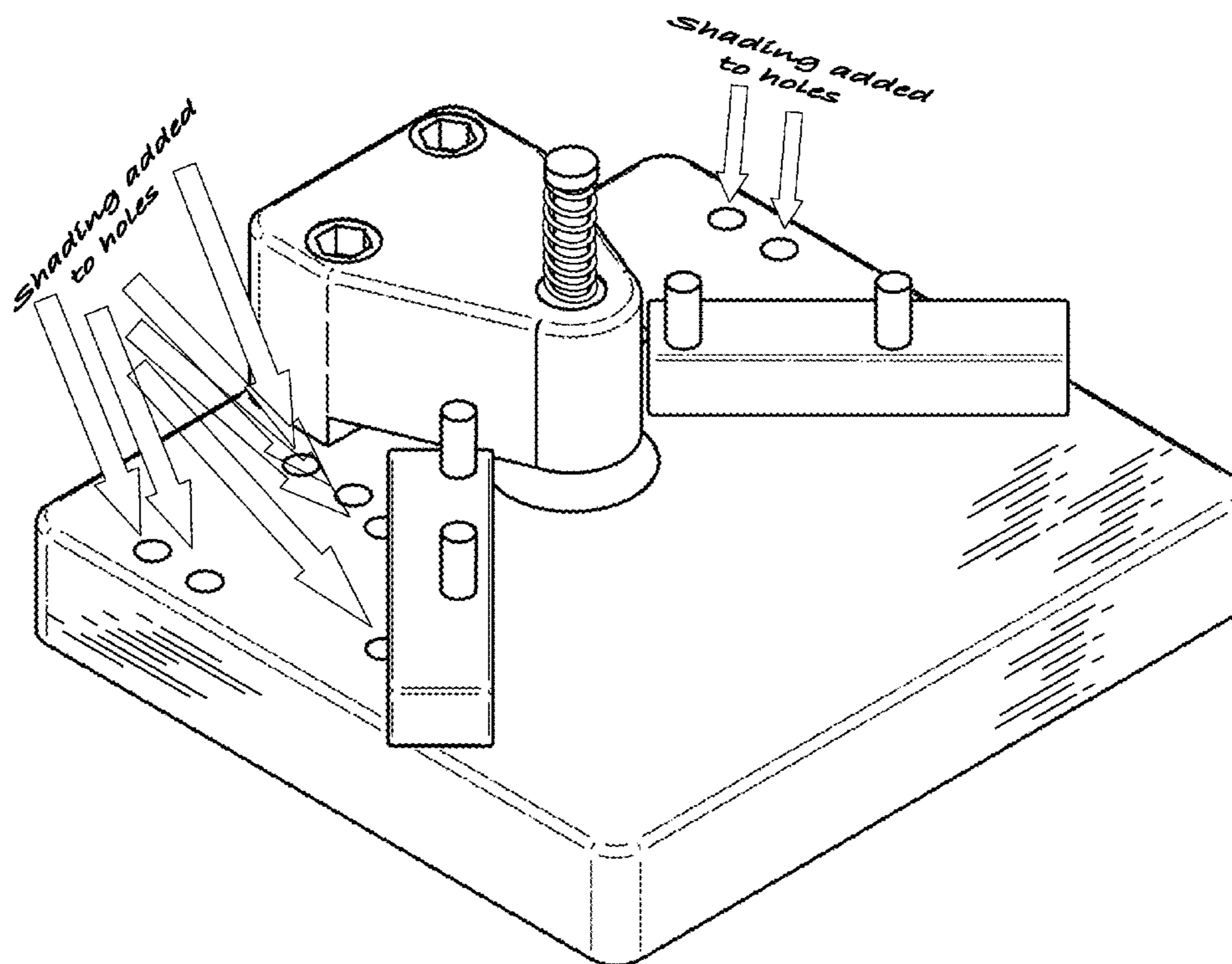
(57) **CLAIM**

The ornamental design for a corner and side hole punch, as shown and described.

DESCRIPTION

FIG. 1 is an assembled top perspective view for a corner and side hole punch showing my new design; FIG. 2 is a top side view thereof; FIG. 3 is a front side view thereof; FIG. 4 is a bottom side view thereof; FIG. 5 is a back side view thereof; FIG. 6 is a left side view, the right side view being a mirror image thereof; and, FIG. 7 is an exploded top perspective view thereof. The broken lines in the drawings depict unclaimed environmental subject matter.

1 Claim, 4 Drawing Sheets



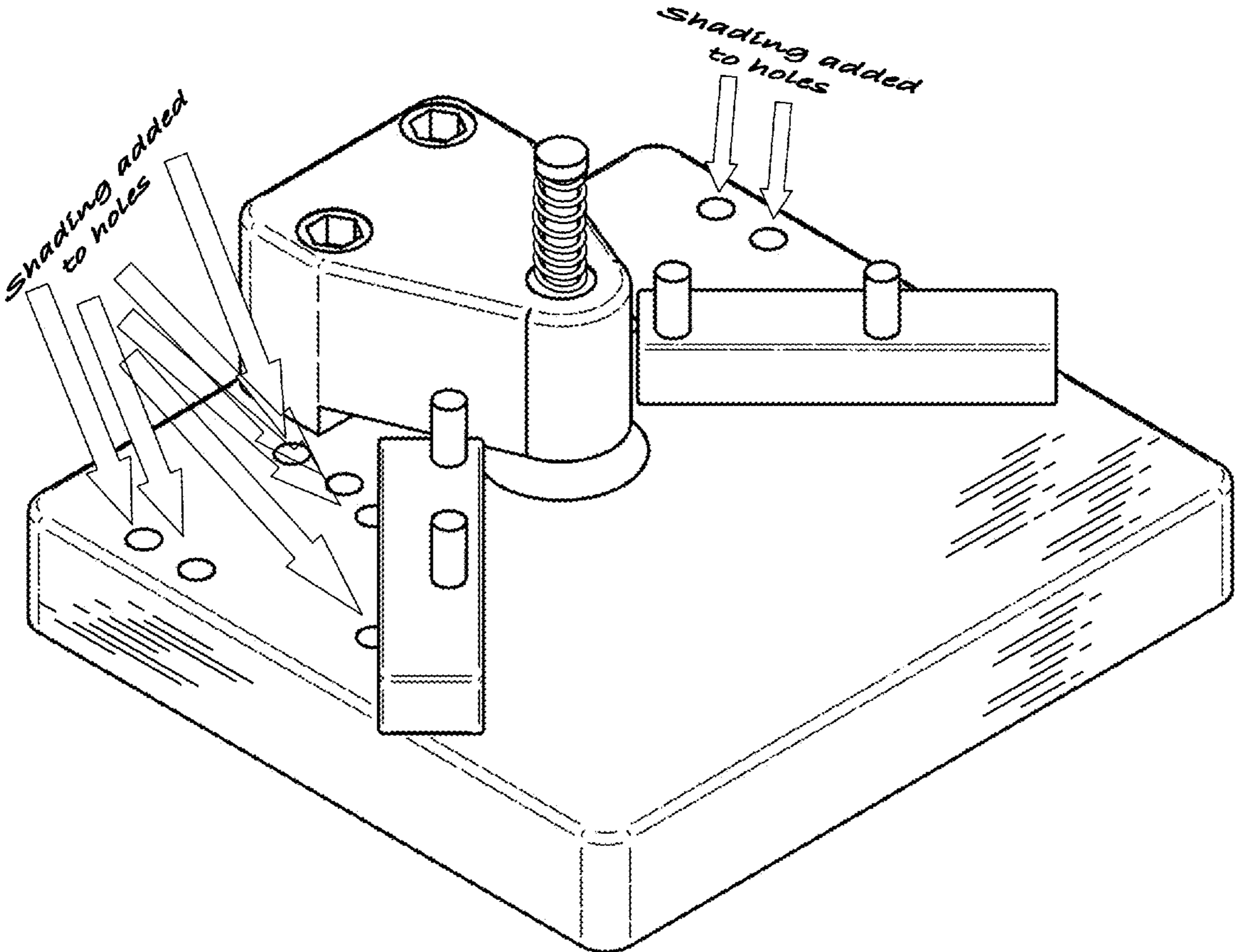


FIG 1

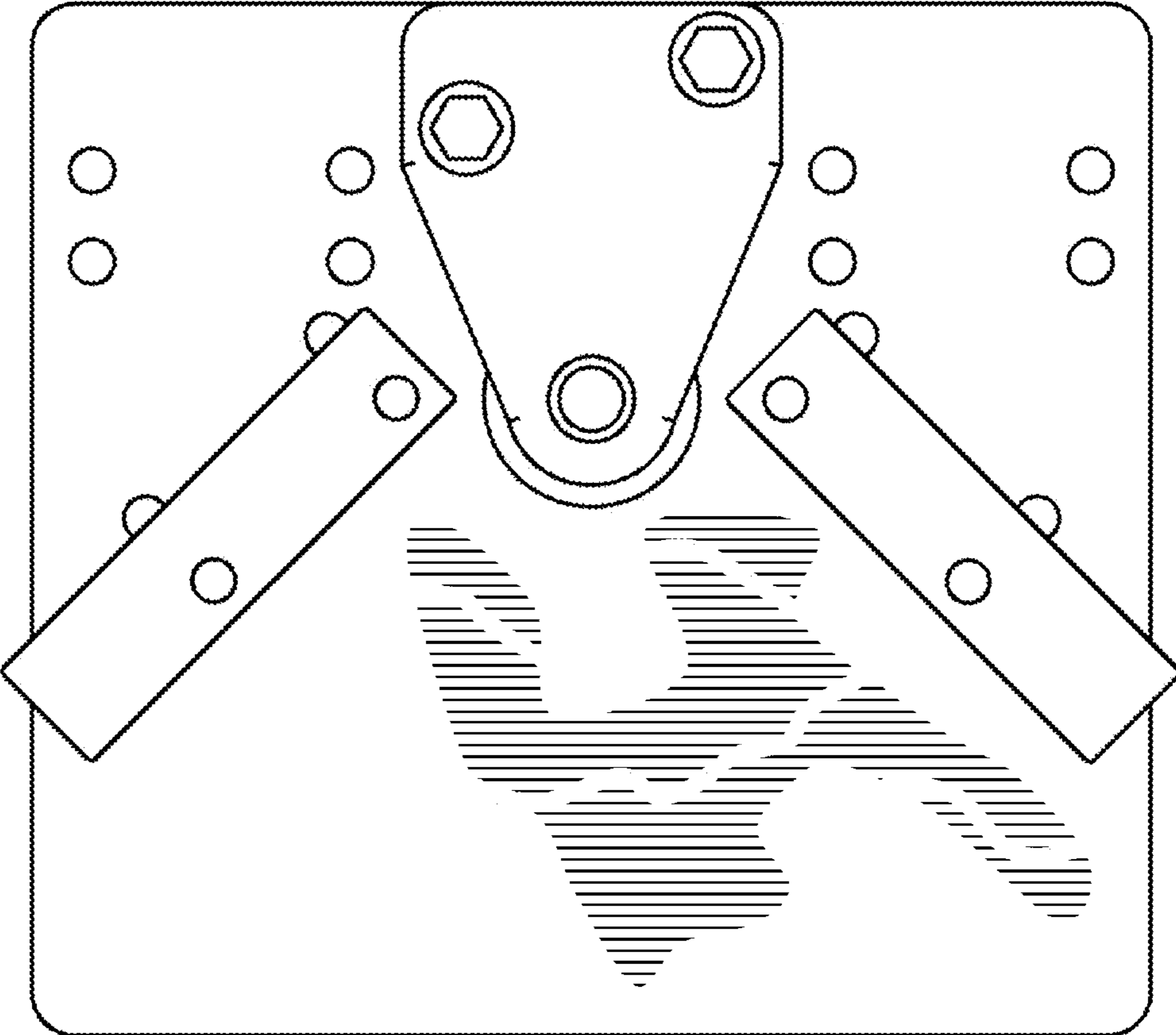


FIG. 2

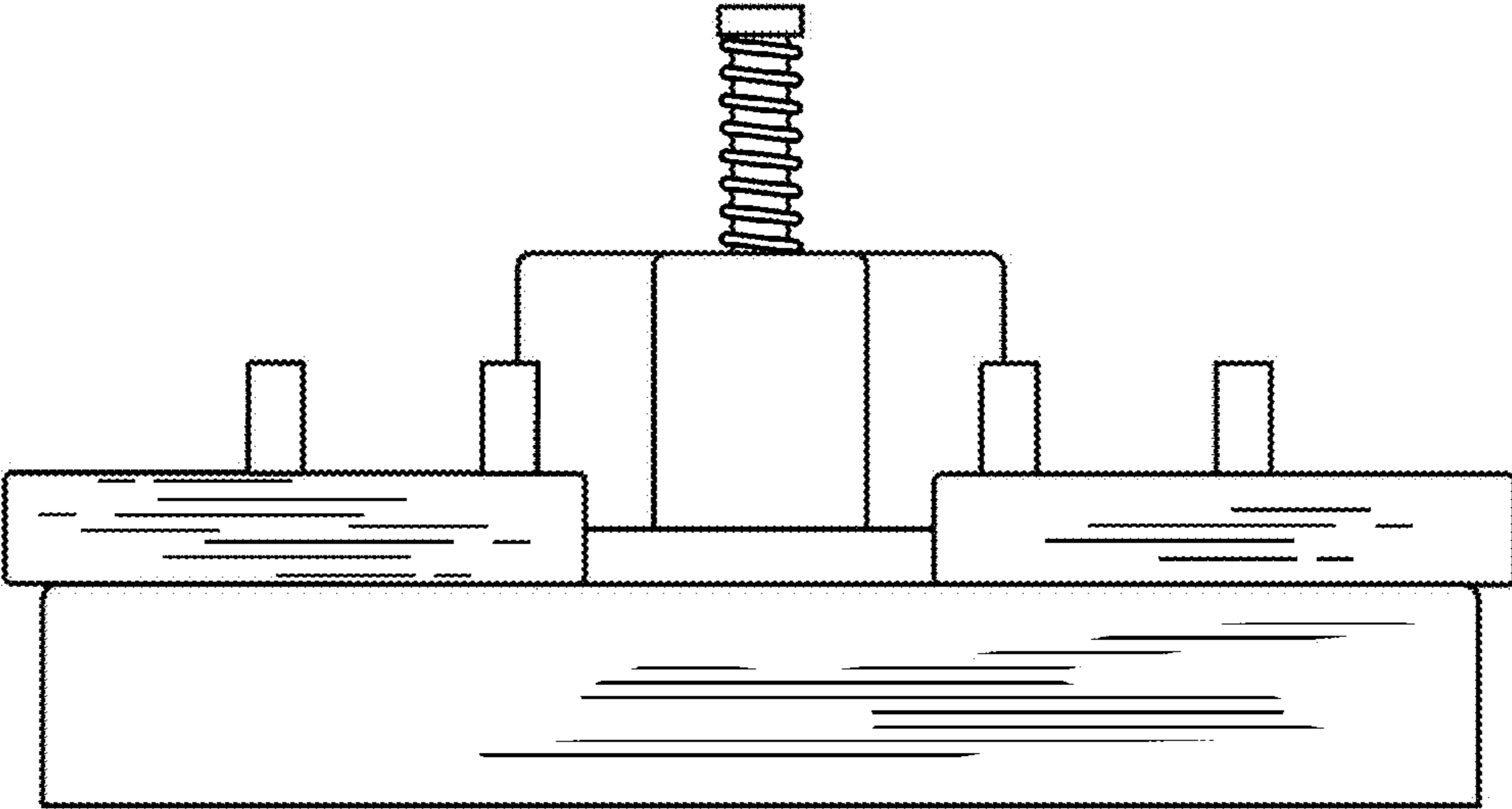


FIG. 3

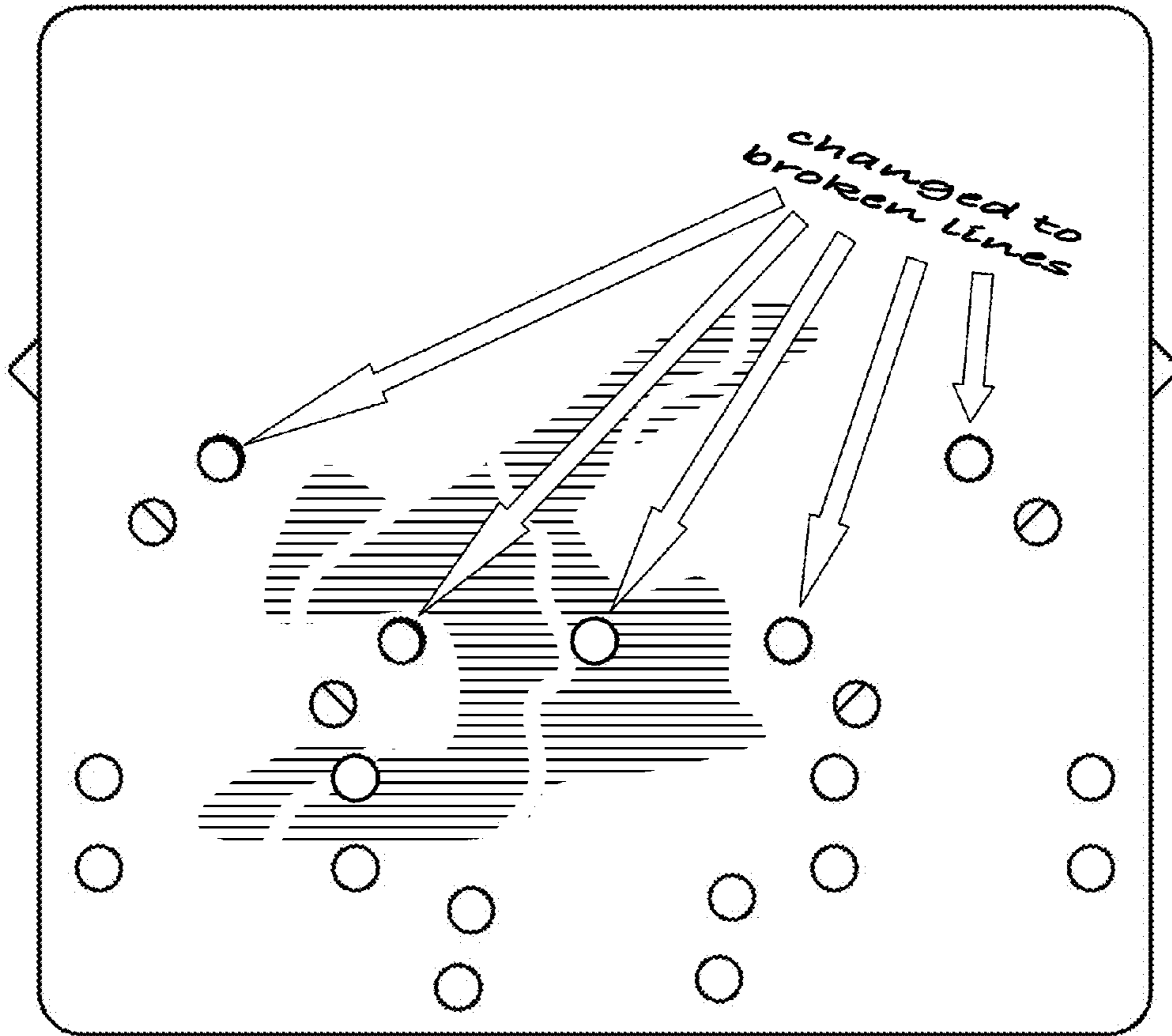


FIG 4

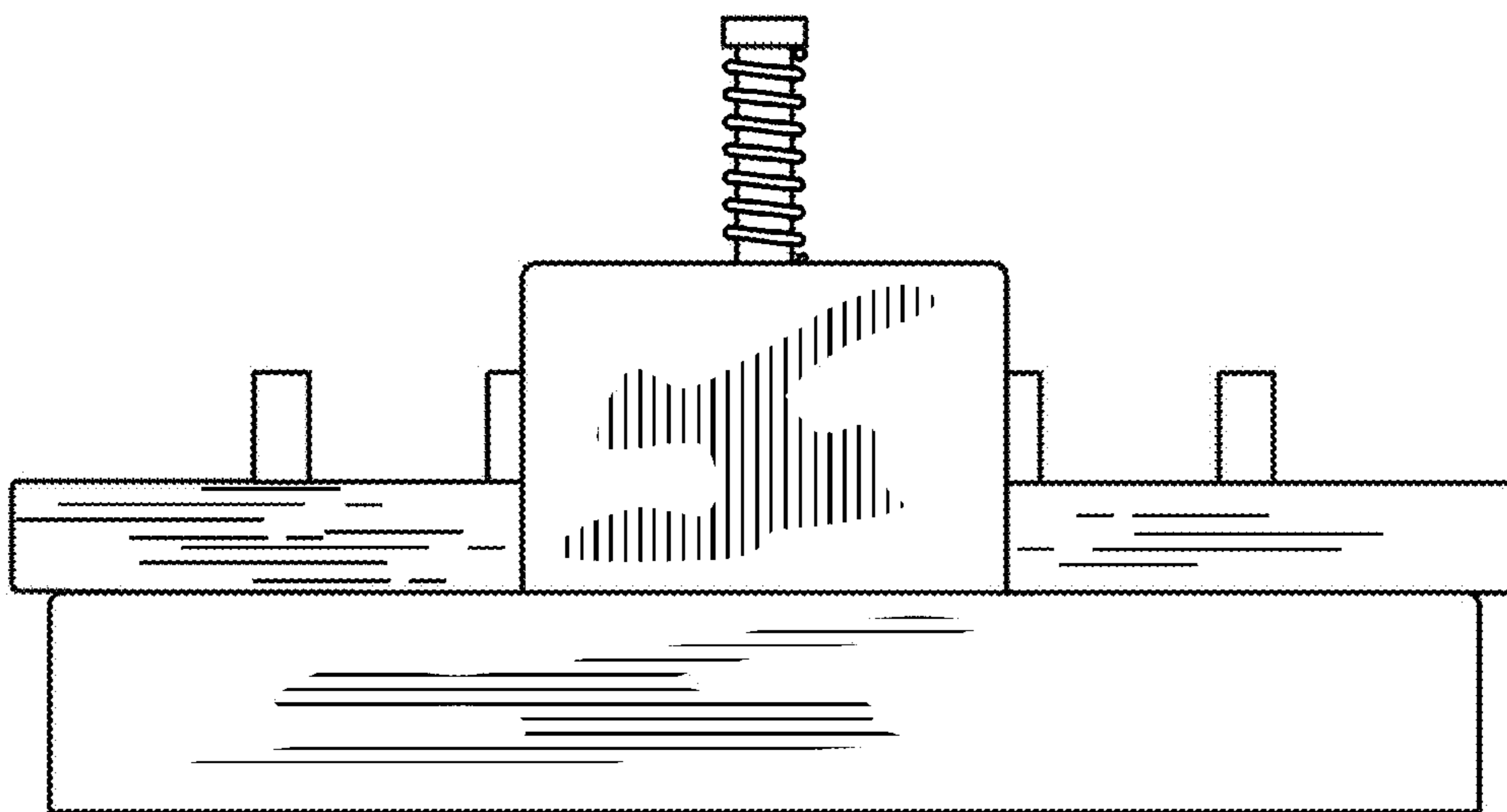


FIG 5

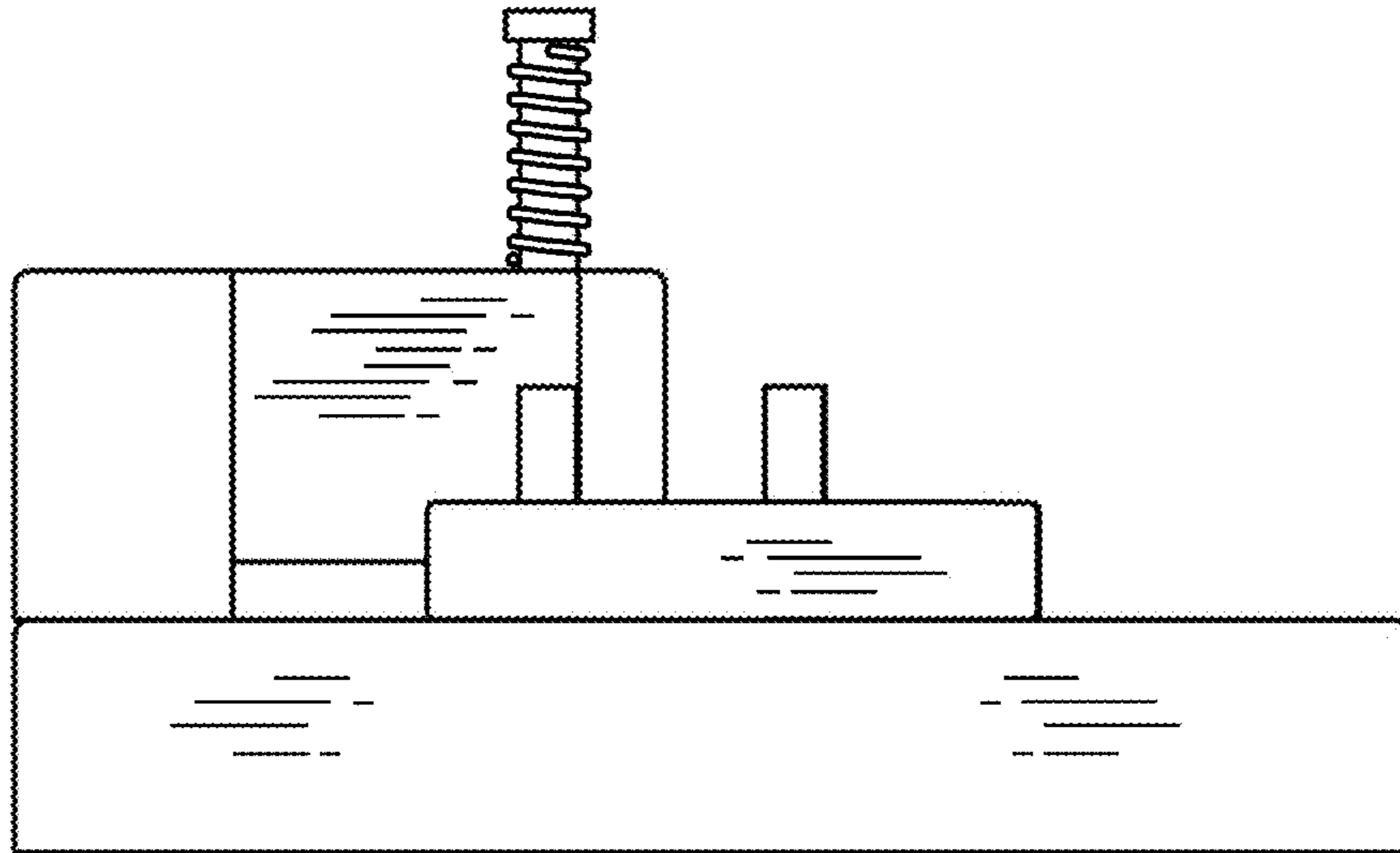


FIG 6

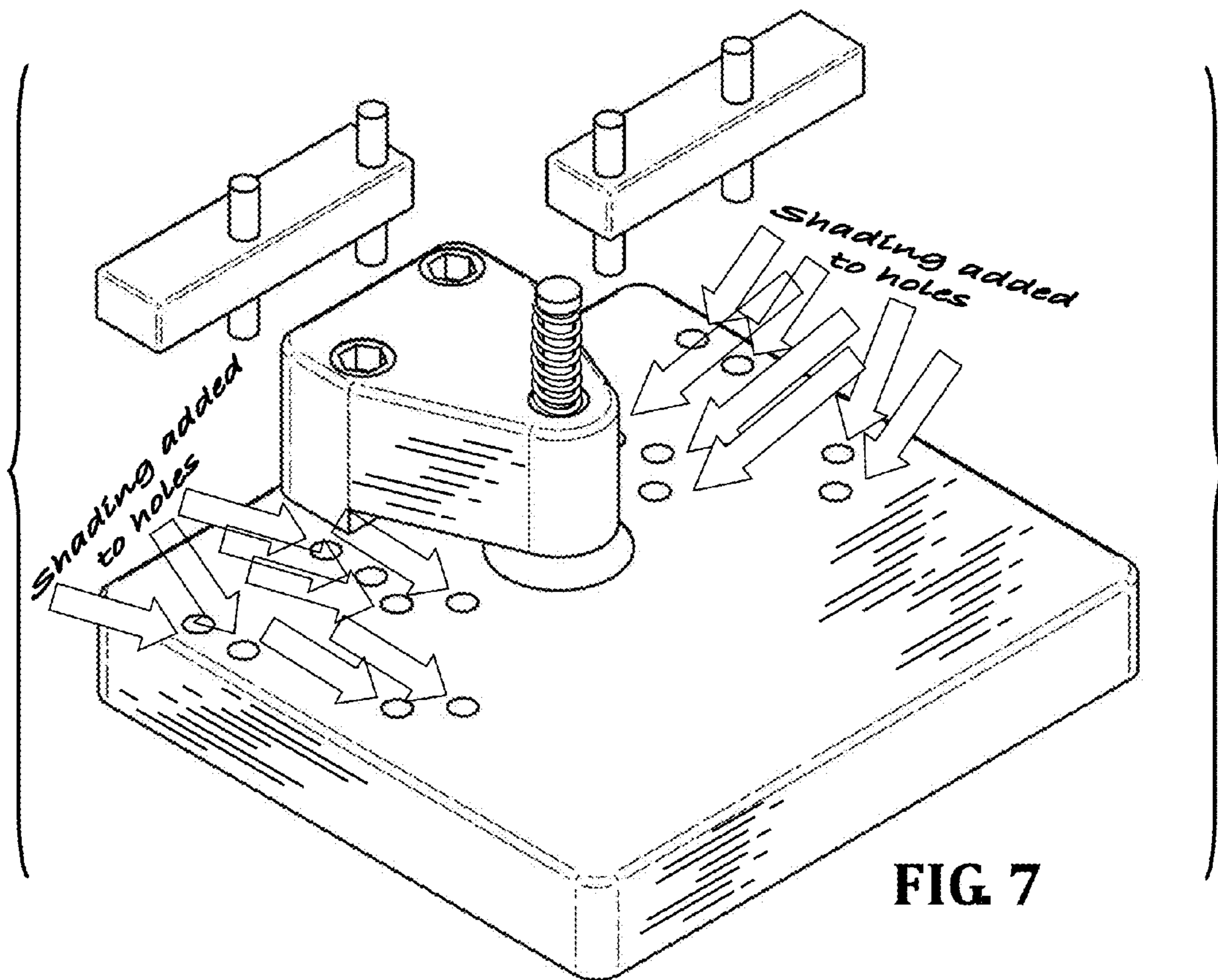


FIG 7